



US00D702096S

(12) **United States Design Patent**
Stineburg

(10) **Patent No.:** **US D702,096 S**

(45) **Date of Patent:** **** *Apr. 8, 2014**

(54) **BUTCHER BLOCK CUTTING BOARD**

5,985,398 A * 11/1999 Bellegarde 428/54
D609,538 S * 2/2010 Sullivan D7/698
D671,806 S * 12/2012 Kaufmann D7/698

(71) Applicant: **Anthony Stineburg**, Columbus, OH
(US)

* cited by examiner

(72) Inventor: **Anthony Stineburg**, Columbus, OH
(US)

Primary Examiner — Ricky Pham

(74) *Attorney, Agent, or Firm* — Howard B. Rockman;
Mercedes V. O'Connor

(*) Notice: This patent is subject to a terminal disclaimer.

(**) Term: **14 Years**

(57) **CLAIM**

The ornamental design for a butcher block cutting board, as shown and described.

(21) Appl. No.: **29/437,683**

DESCRIPTION

(22) Filed: **Nov. 20, 2012**

(51) **LOC (10) Cl.** **07-04**

(52) **U.S. Cl.**
USPC **D7/698**

(58) **Field of Classification Search**
USPC D5/60; D7/354, 357–360, 368, 388,
D7/392.1, 396.1, 409, 412, 505, 549,
D7/550.1, 552.1–552.2, 553.1, 553.5,
D7/553.8, 554.3–554.4, 555, 586, 637,
D7/673, 698–699; 99/324, 357, 446–450;
269/13–16, 54, 54.5, 87.2, 289 R,
269/302.1, 312, 314, 575; 428/54; 524/9
See application file for complete search history.

FIG. 1 is a front perspective view of a butcher block cutting board, showing my new design, having wood blocks extending along the length of the board, and an accent piece extending widthwise across the board;
FIG. 2 is one side elevation view of the butcher block cutting board embodiment of FIG. 1;
FIG. 3 is a second side elevation view of the butcher block cutting board embodiment of FIG. 1;
FIG. 4 is a first edge view of the butcher block cutting board embodiment of FIG. 1;
FIG. 5 is a second edge view of the butcher block cutting board embodiment of FIG. 1;
FIG. 6 is a top plan view of the butcher block cutting board embodiment of FIG. 1; and,
FIG. 7 is a bottom plan view of the butcher block cutting board embodiment of FIG. 1.

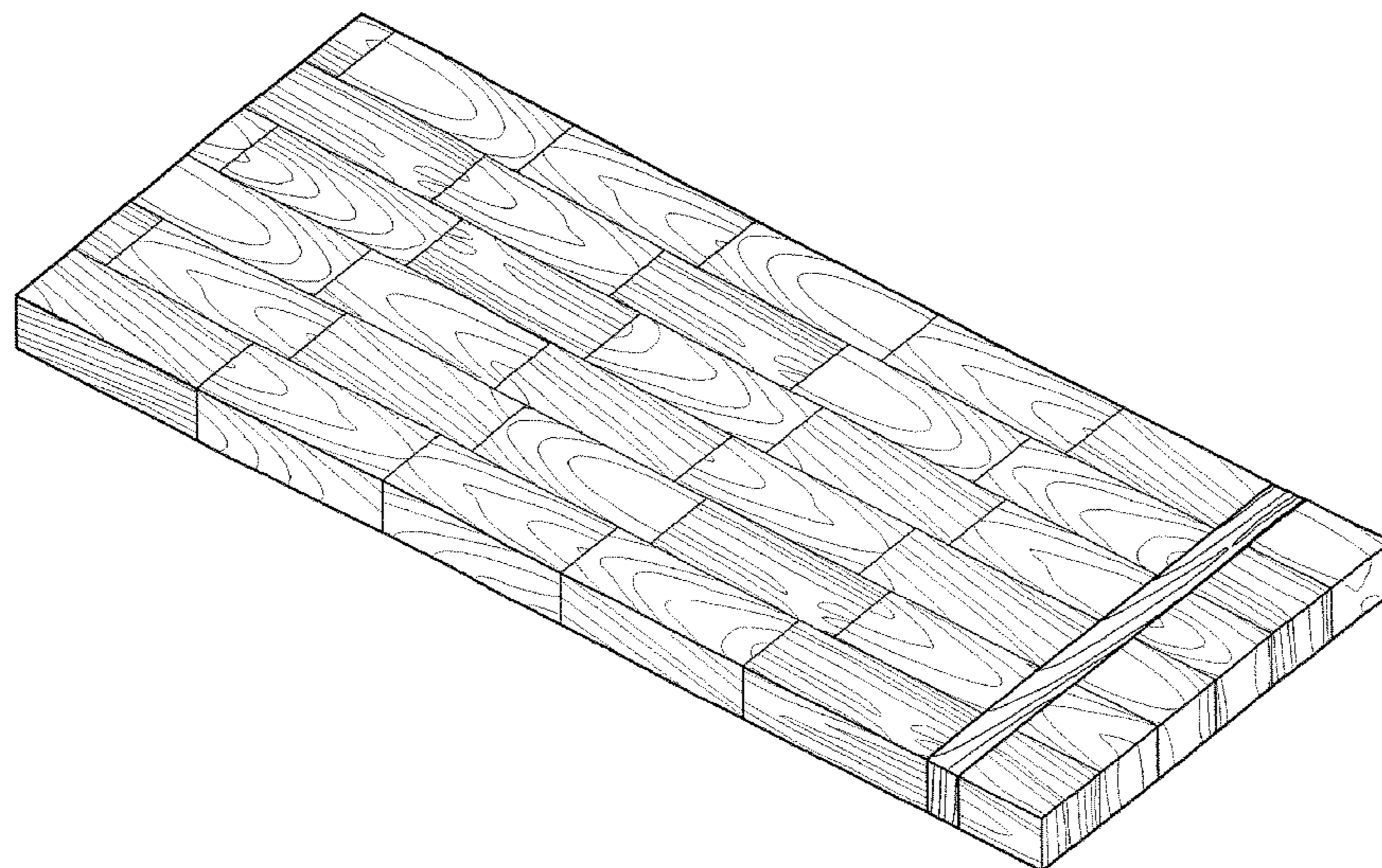
The disclosed invention comprises wood grain patterns. However, since no two wood grains are the same, the wood grain patterns shown in the disclosed embodiments of the invention are representative of the variation in wood grain patterns that comprise the design of the present invention. The scope of the claim of the present application is intended to cover wood grain patterns present in the materials from which the invention is constructed.

(56) **References Cited**

U.S. PATENT DOCUMENTS

328,995 A * 10/1885 Andrews 269/54.5
D28,305 S * 2/1898 Thomas D5/60
2,110,560 A * 3/1938 Sprich 269/314
2,328,503 A * 8/1943 Schmitt, Jr. 269/312
2,859,187 A * 11/1958 Ropella 524/9
3,947,012 A * 3/1976 Cobb 269/289 R
D247,603 S * 3/1978 Grossman D7/673
D265,277 S * 7/1982 Dunn D7/698
D267,463 S * 1/1983 Thompson D7/698
D357,847 S * 5/1995 Hoffman D7/698

1 Claim, 3 Drawing Sheets



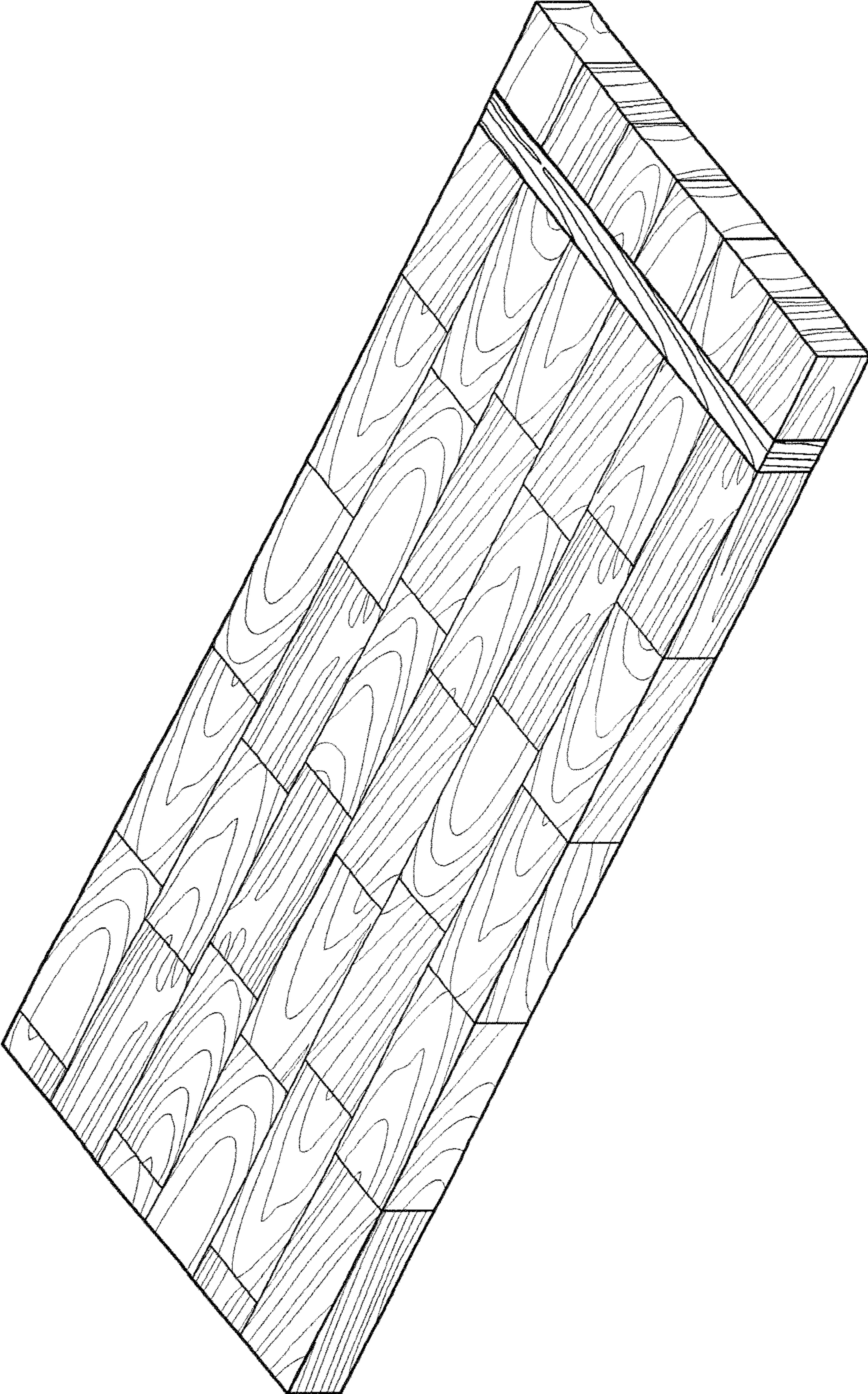


FIG. 1

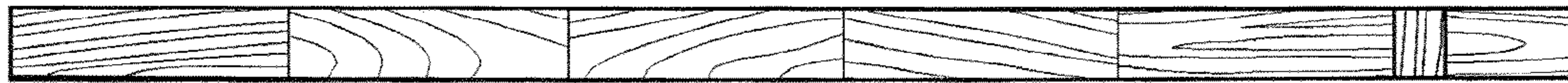


FIG. 2

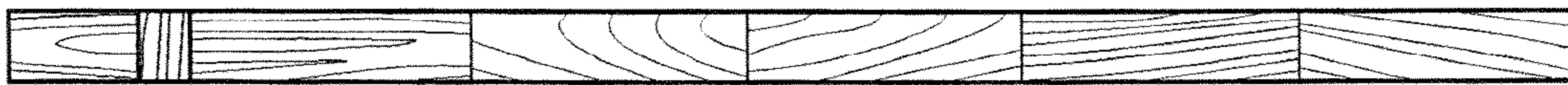


FIG. 3



FIG. 4

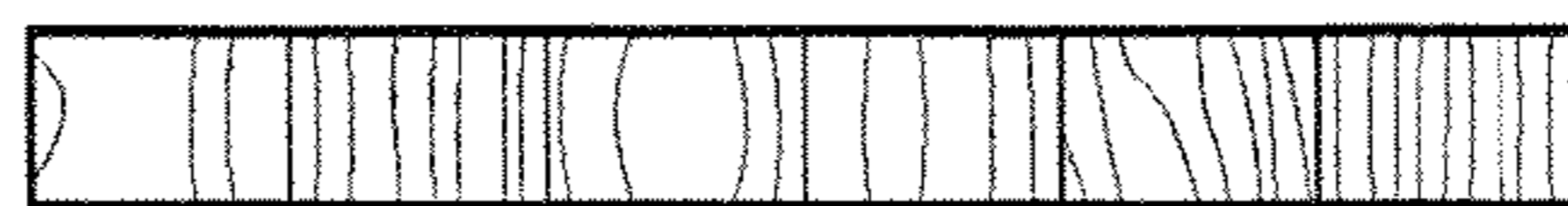


FIG. 5

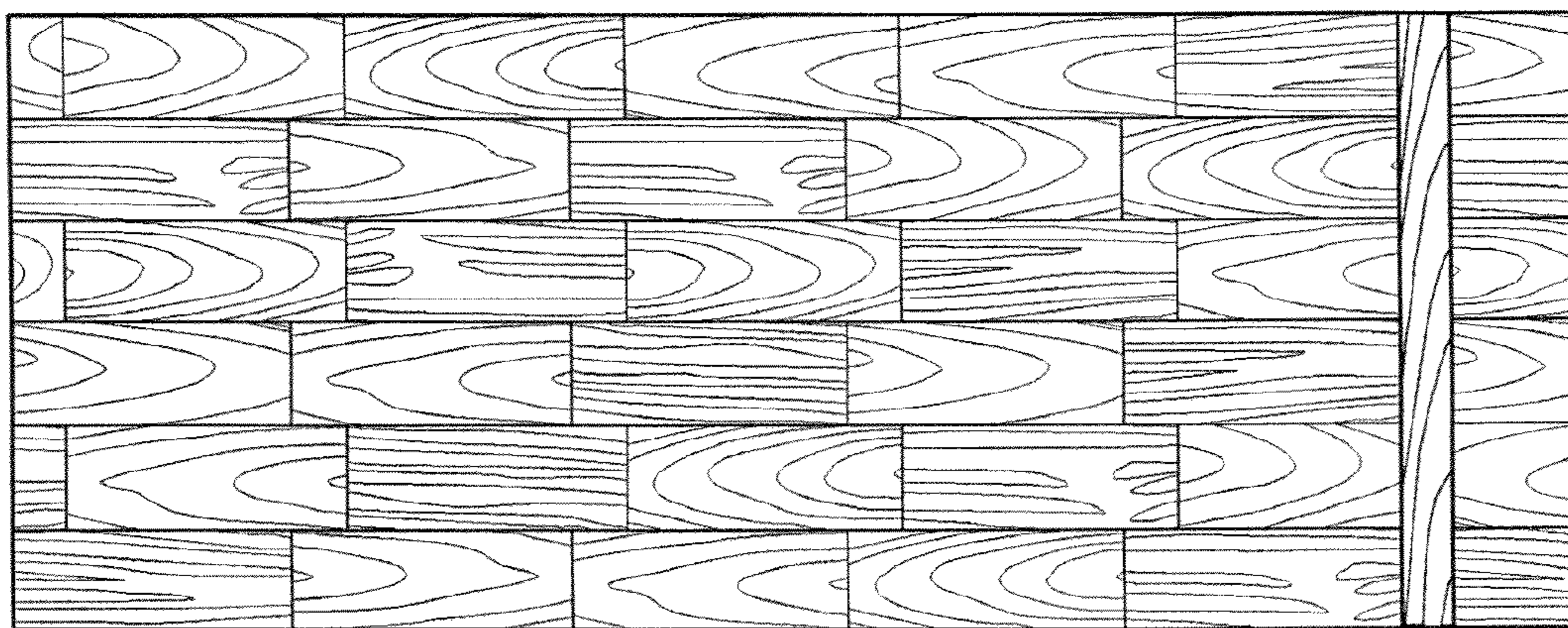


FIG. 6

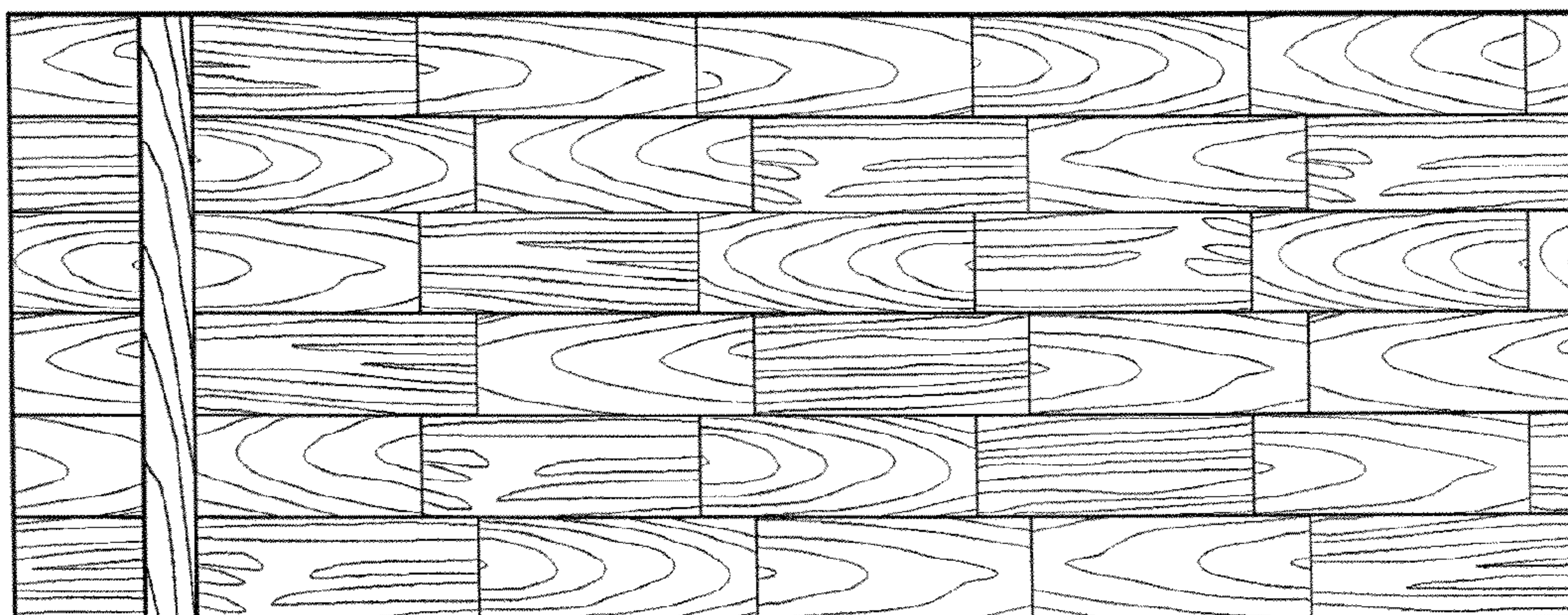


FIG. 7