



US00D702095S

(12) **United States Design Patent**
Fugett

(10) **Patent No.:** **US D702,095 S**

(45) **Date of Patent:** **** Apr. 8, 2014**

(54) **SPATULA**

(71) Applicant: **Jack Fugett**, Mokena, IL (US)

(72) Inventor: **Jack Fugett**, Mokena, IL (US)

(**) Term: **14 Years**

(21) Appl. No.: **29/451,569**

(22) Filed: **Apr. 4, 2013**

(51) **LOC (10) Cl.** **07-02**

(52) **U.S. Cl.**
USPC **D7/692**

(58) **Field of Classification Search**
USPC D7/680-696, 368, 669, 393, 395;
D32/40, 43, 46; 15/236.07, 236.08,
15/236.01, 245, 143.1; 294/7, 8, 176;
7/110, 113; 416/231 A, 231 B; 366/129
See application file for complete search history.

(56) **References Cited**

U.S. PATENT DOCUMENTS

D203,616 S	2/1966	Hvale	
3,877,143 A	4/1975	Montesi	
D272,119 S	1/1984	Steiner	
D316,213 S	4/1991	Skerker et al.	
5,014,434 A	5/1991	Skerker et al.	
D318,989 S *	8/1991	Risner D7/688

D427,858 S	7/2000	Zemel	
D459,163 S	6/2002	Rowe et al.	
D459,638 S *	7/2002	Wang et al. D7/692
D481,270 S *	10/2003	Siegel et al. D7/688
D545,645 S *	7/2007	Lion et al. D7/692
D632,143 S *	2/2011	Geborek D7/692
D673,012 S	12/2012	Holding et al.	

* cited by examiner

Primary Examiner — Terry Wallace

(74) *Attorney, Agent, or Firm* — Barnes & Thornburg LLP;
Erin J. Fox

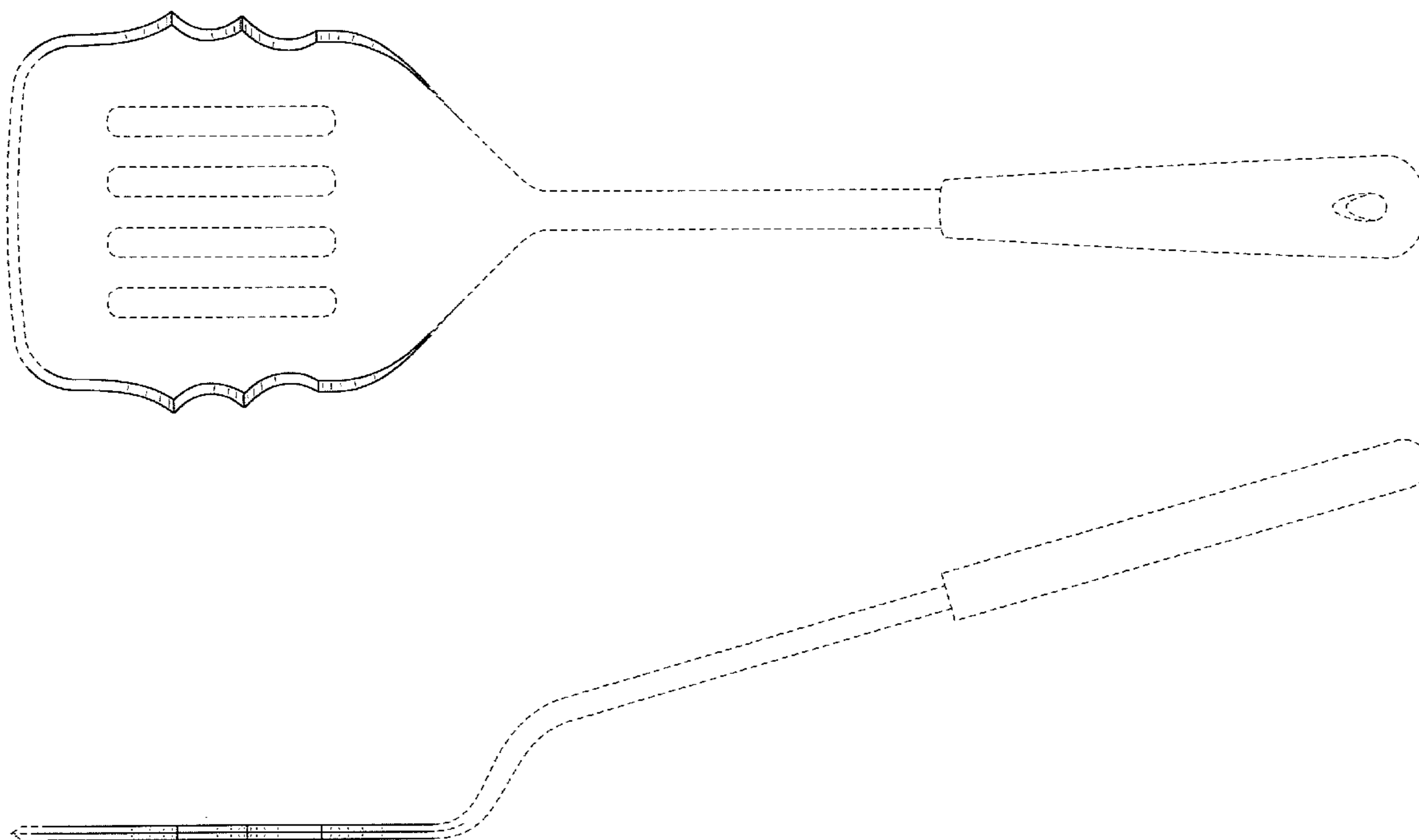
(57) **CLAIM**

The ornamental design for a spatula, as shown and described.

DESCRIPTION

FIG. 1 is an isometric view of a front, top, and a first side of an ornamental design for a spatula;
FIG. 2 is a top elevational view of the spatula of FIG. 1;
FIG. 3 is an elevational view of the first side of the spatula of FIG. 1, wherein a second, opposite side of the spatula is a mirror image of the first side; and,
FIG. 4 is a front elevational view of the spatula of FIG. 1.
The broken lines in the drawings depict environmental subject matter only and form no part of the claimed design.

1 Claim, 3 Drawing Sheets



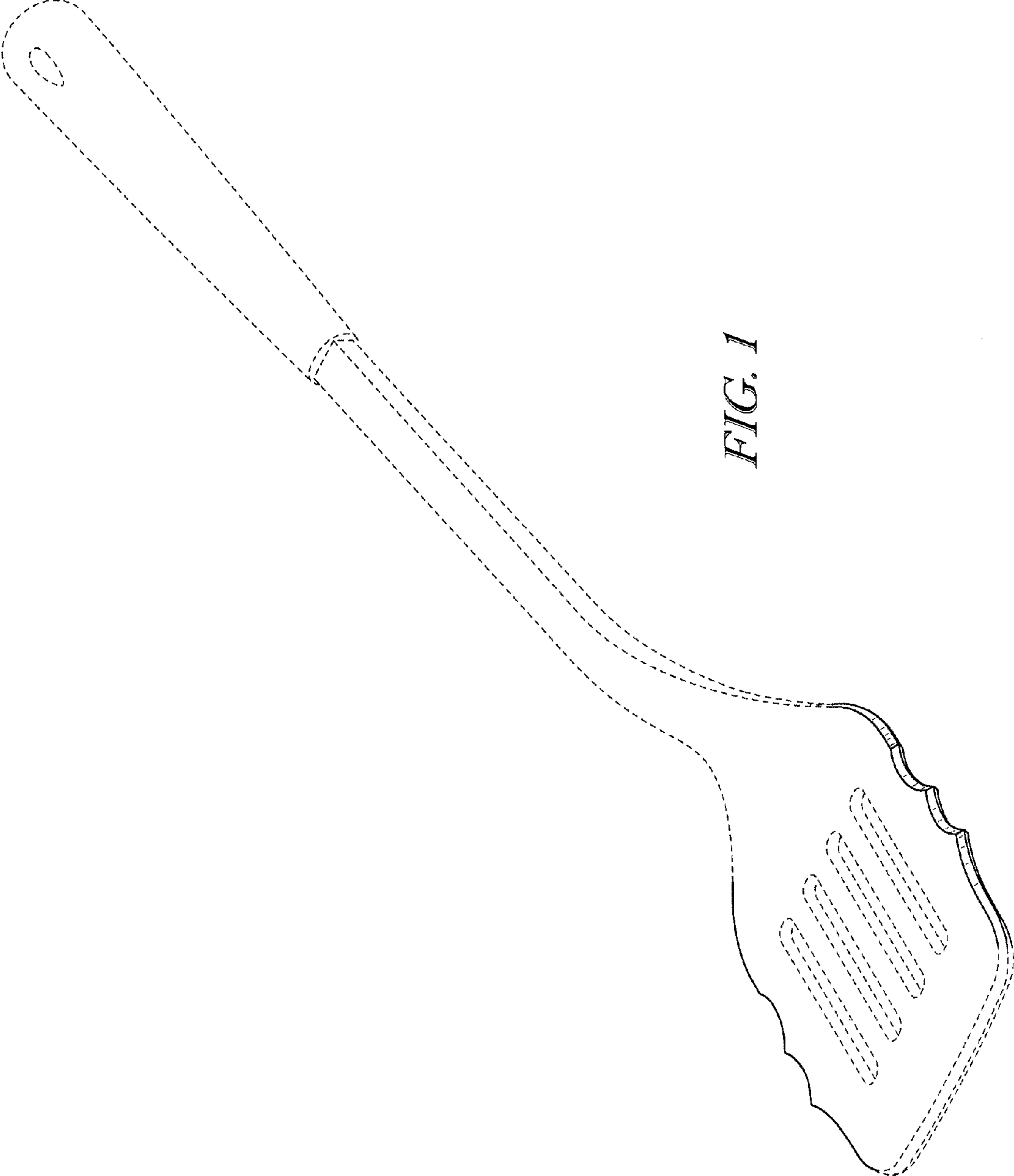


FIG. 1

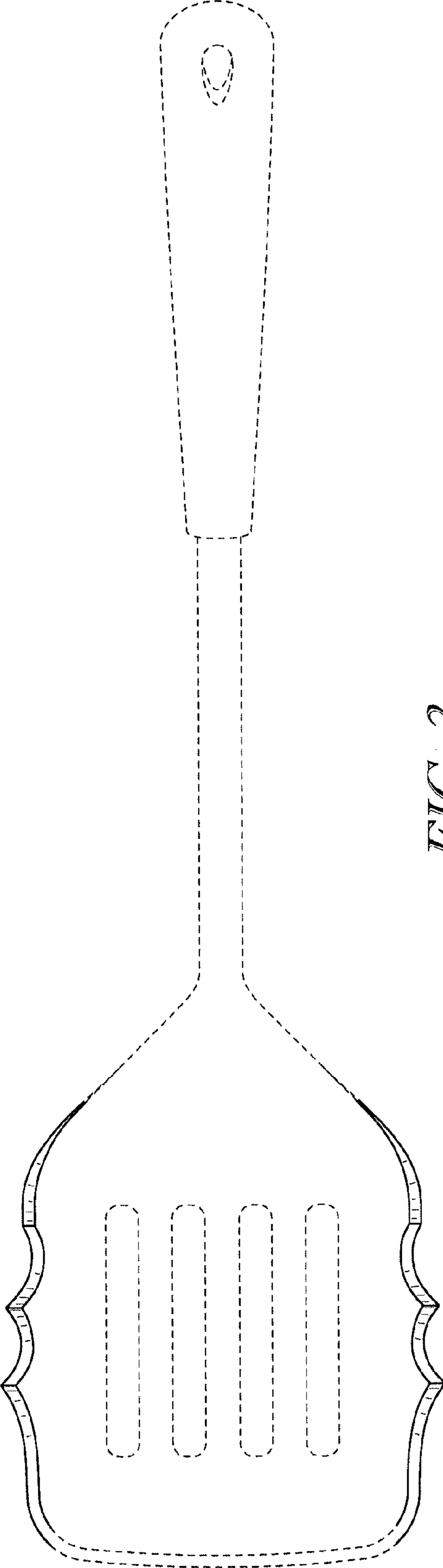


FIG. 2

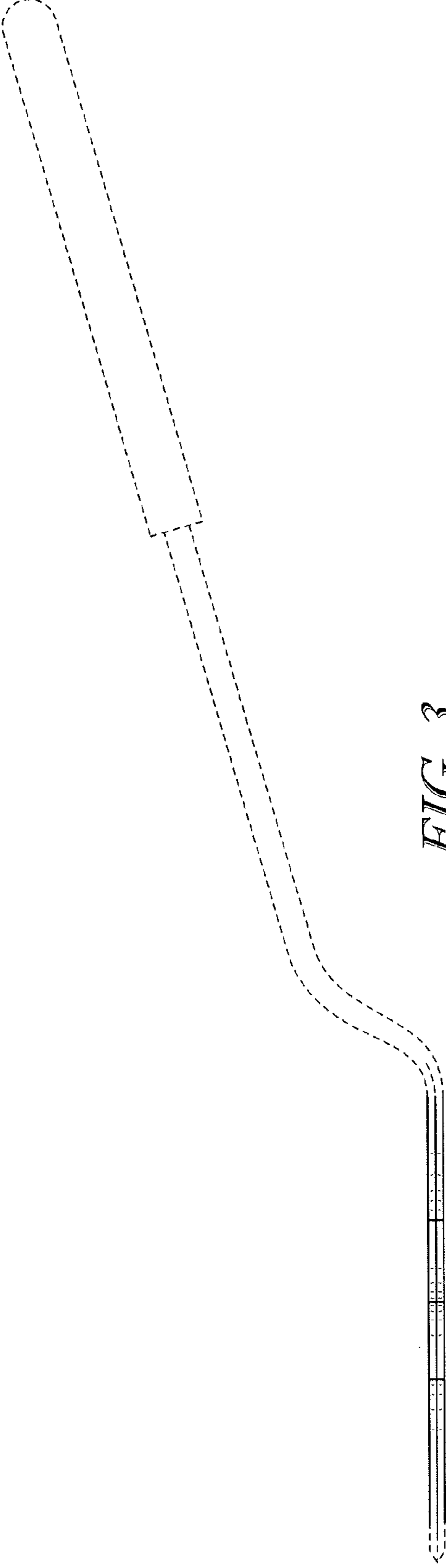


FIG. 3

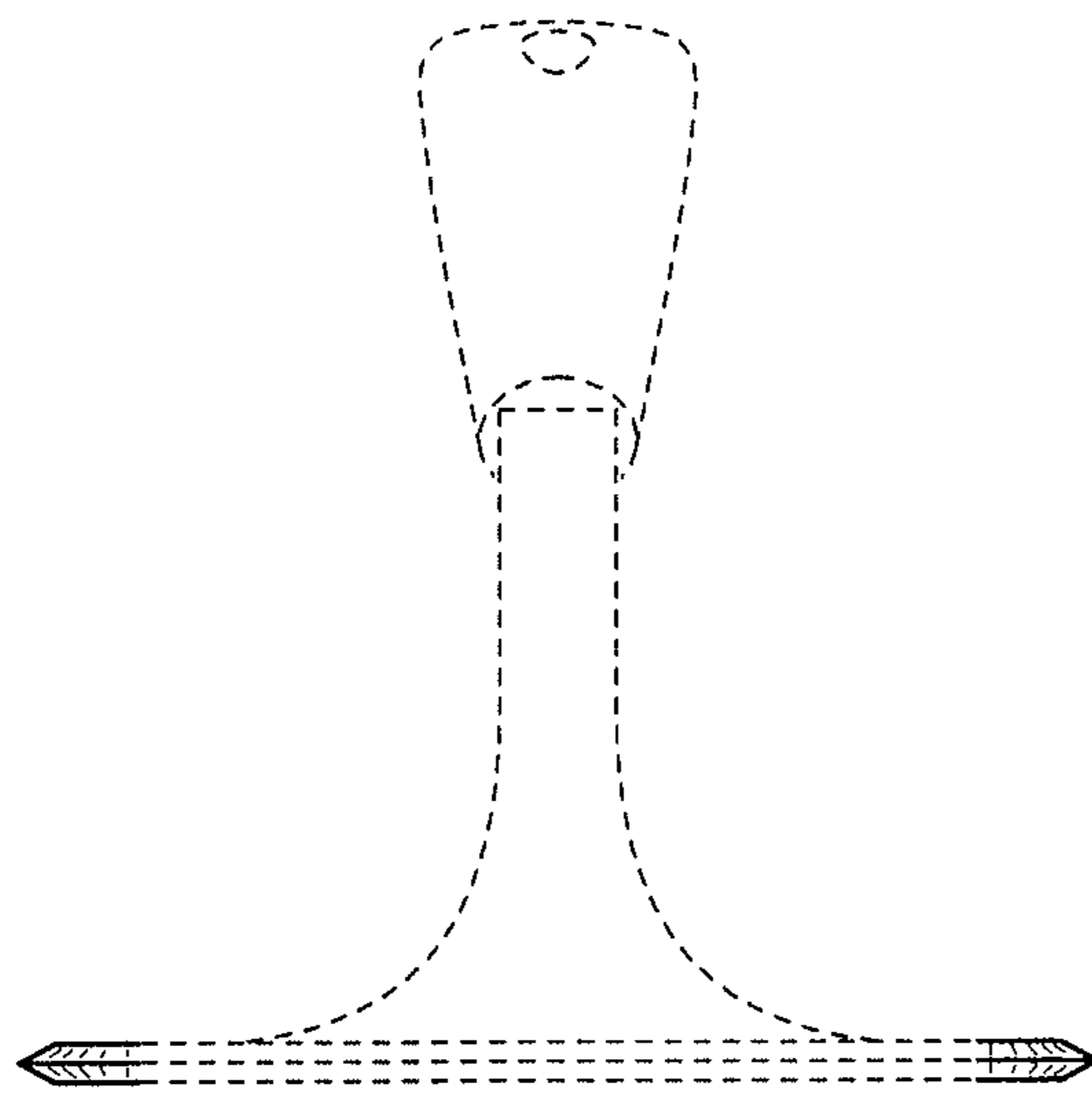


FIG. 4