



US00D702090S

(12) **United States Design Patent**
Hogg

(10) **Patent No.:** **US D702,090 S**

(45) **Date of Patent:** **** Apr. 8, 2014**

(54) **CONDIMENT SHAKER**

(71) Applicant: **Richard Hogg**, Weybridge (GB)

(72) Inventor: **Richard Hogg**, Weybridge (GB)

(**) Term: **14 Years**

(21) Appl. No.: **29/454,023**

(22) Filed: **May 6, 2013**

(30) **Foreign Application Priority Data**

Nov. 9, 2012 (EM) 002133355-0001

(51) **LOC (10) Cl.** **07-06**

(52) **U.S. Cl.**
USPC **D7/591**

(58) **Field of Classification Search**

USPC D7/590, 601, 602, 500, 589, 322, 321,
D7/320, 300, 301, 302, 303, 304, 308, 310,
D7/312, 313, 314, 315, 316, 317, 318, 319,
D7/372, 397, 399, 400, 401.1, 412, 415,
D7/413, 414, 591-599; D32/29.1; D28/73,
D28/76; 220/219, 349, 423, 581, 212, 350,
220/735; 222/105, 129.1, 129.2,
222/142.1-142.5, 142.7, 548; D6/515, 512;
D30/121; D9/905; D23/355-369;
392/356, 390, 392, 394, 395; 239/34,
239/44, 53, 55, 56, 326, 60, 308

See application file for complete search history.

(56) **References Cited**

U.S. PATENT DOCUMENTS

2,007,845 A * 7/1935 Boswell 222/225
D159,770 S * 8/1950 Alvarez D7/597
D165,997 S * 2/1952 Persak, Jr. D7/397
D166,525 S * 4/1952 Bliss D7/597
2,656,075 A * 10/1953 Clark 222/190
2,694,512 A * 11/1954 Morris 222/501
D184,762 S * 3/1959 Ostrowsky D7/597

D184,778 S * 3/1959 Stier D7/597
3,003,665 A * 10/1961 Peters 222/94
3,197,077 A * 7/1965 Amster 222/149
D213,430 S * 3/1969 Kneapler D9/452
3,664,554 A * 5/1972 Shiozawa 222/183
D272,320 S * 1/1984 Fortuna D9/556
D281,399 S * 11/1985 Fortuna D9/500
D285,775 S * 9/1986 MacLaughlin D9/556
D286,748 S * 11/1986 Fortuna D9/777
5,429,281 A * 7/1995 Sellers
5,487,486 A * 1/1996 Meneo 220/504

(Continued)

FOREIGN PATENT DOCUMENTS

DE 20 2007 008571 U1 8/2007
ES 2040167 A1 10/1993
GB 529861 11/1940

OTHER PUBLICATIONS

Autumn Fair 2013—Kitchen Concepts, [online], retrieved on Sep. 22, 2013. Retrieved from, <URL: <http://www.autumnfair.com/Exhibitor/Kitchen-Concepts-International-Limited>>, 1 page.*

(Continued)

Primary Examiner — Ian Simmons

Assistant Examiner — Shannon Morgan

(74) *Attorney, Agent, or Firm* — Nields, Lemack & Frame, LLC

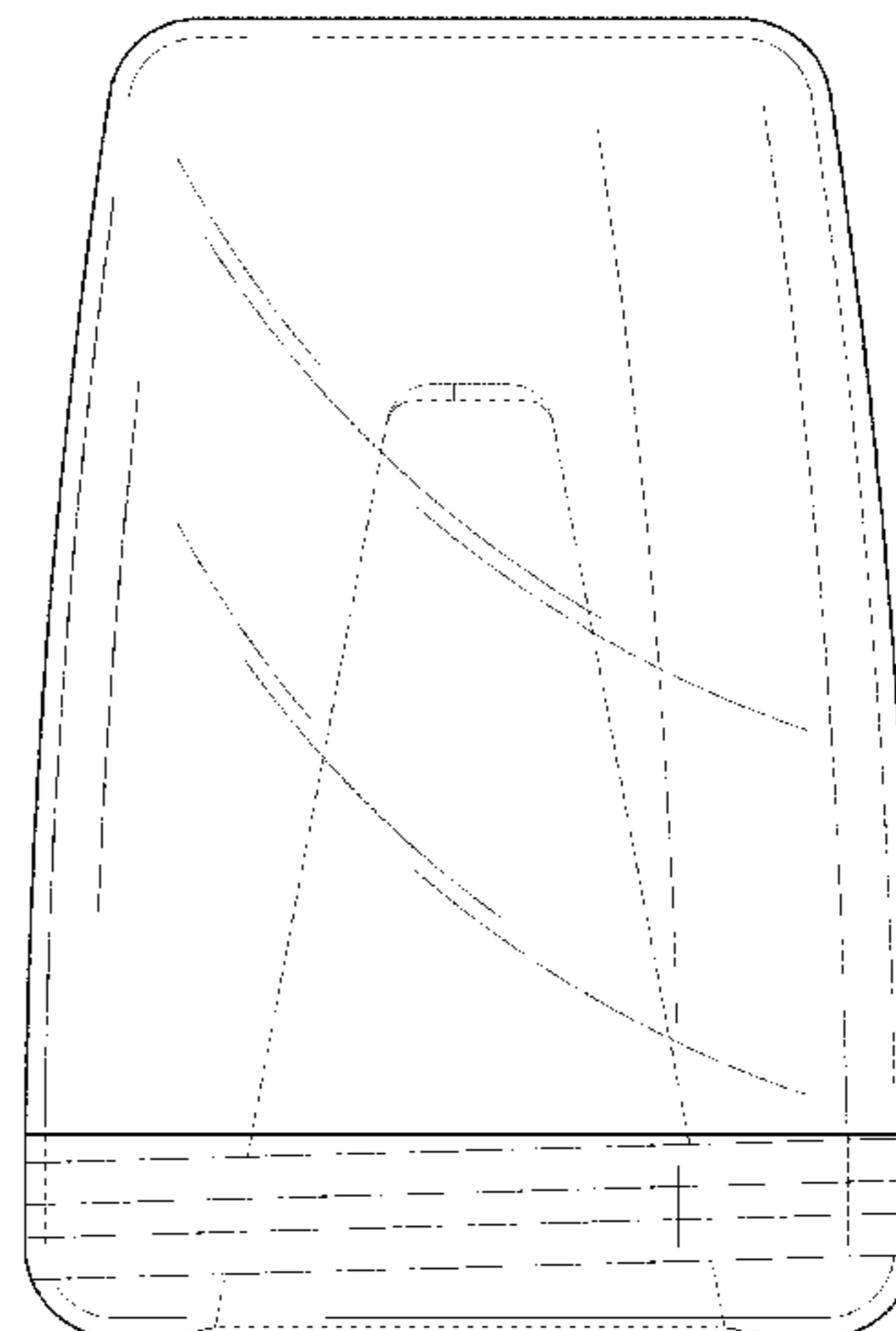
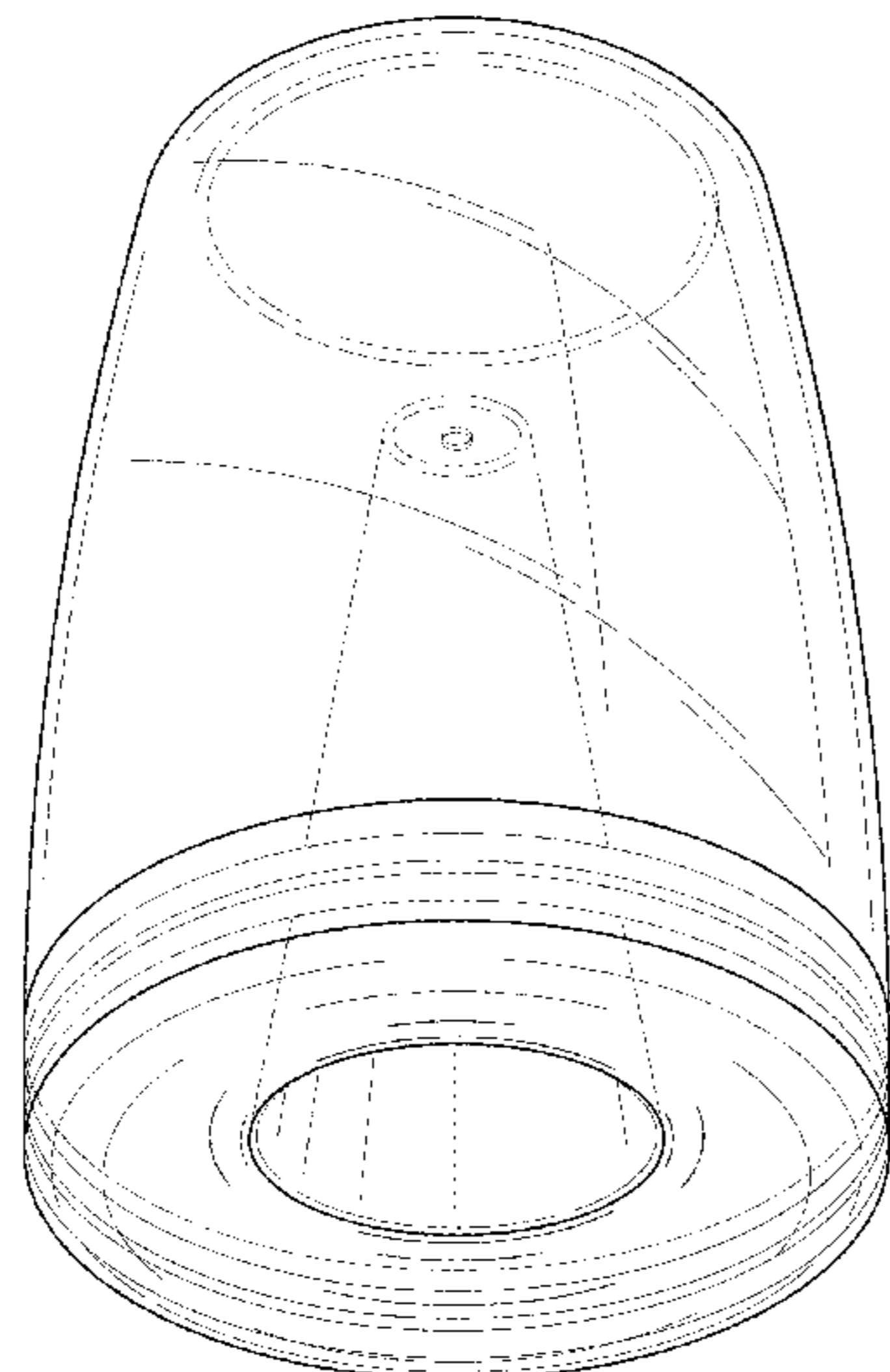
(57) **CLAIM**

The ornamental design for a condiment shaker, as shown and described.

DESCRIPTION

FIG. 1 is a bottom perspective view of the condiment shaker showing my new design;
FIG. 2 is a right side elevational view thereof;
FIG. 3 is a bottom plan view thereof; and,
FIG. 4 is a top plan view thereof.

1 Claim, 4 Drawing Sheets



(56)

References Cited

U.S. PATENT DOCUMENTS

D380,351 S * 7/1997 Jeppesen et al. D7/597
D530,968 S * 10/2006 Bodum D7/300.1
D592,906 S * 5/2009 Allen et al. D7/398
D634,977 S * 3/2011 Mouquet D7/598
D640,101 S * 6/2011 Clark et al. D7/601
2006/0086761 A1 4/2006 Yang
2009/0194566 A1 8/2009 Prager

OTHER PUBLICATIONS

Salt Genie | ebay, [online], page last updated on Mar. 8, 2013,
retrieved on Dec. 7, 2013. Retrieved from, <URL: <http://www.ebay.co.uk/itm/Salt-Genie-/27115712341612/>>, 1 page.*

* cited by examiner

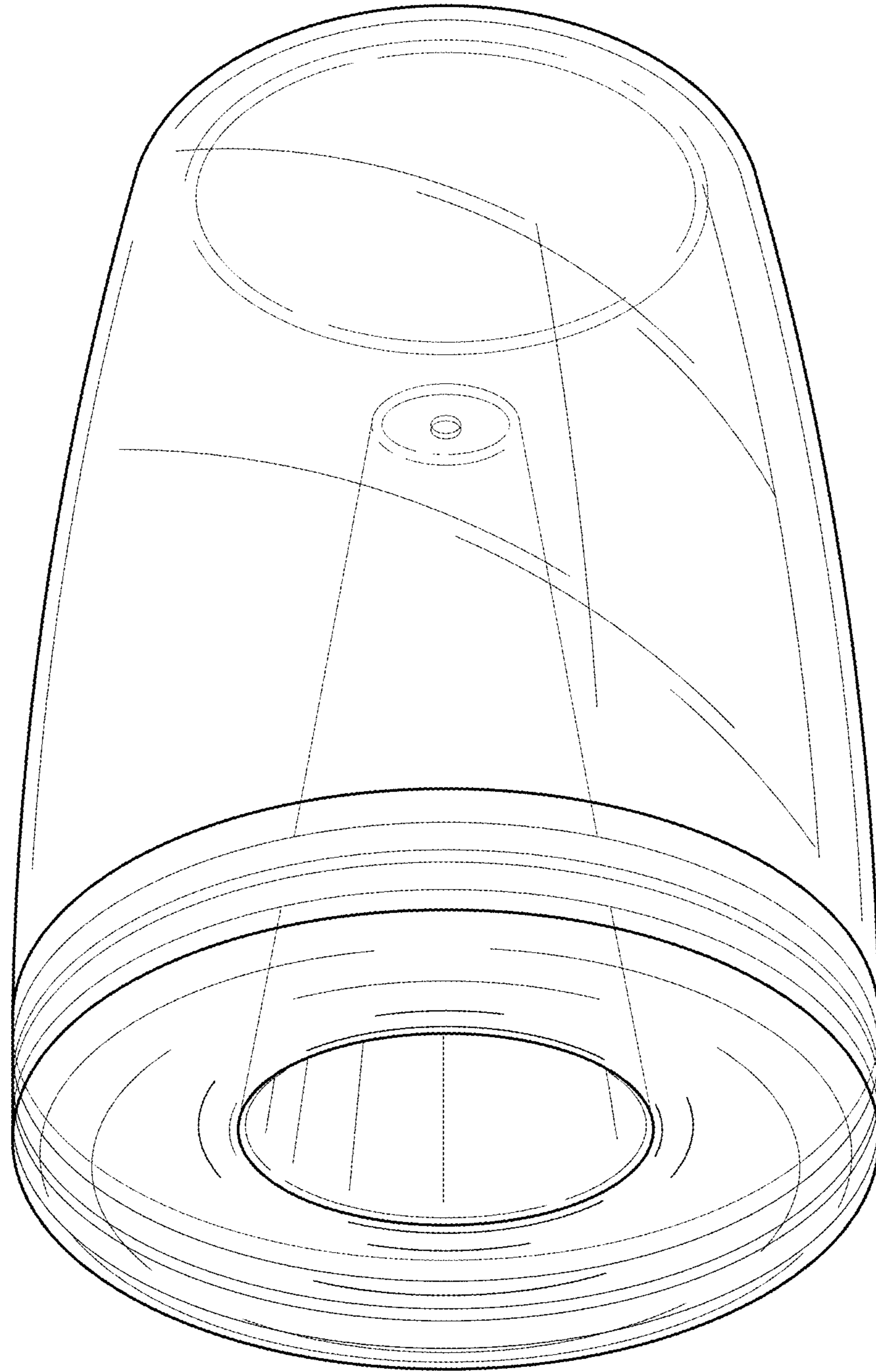


FIG. 1

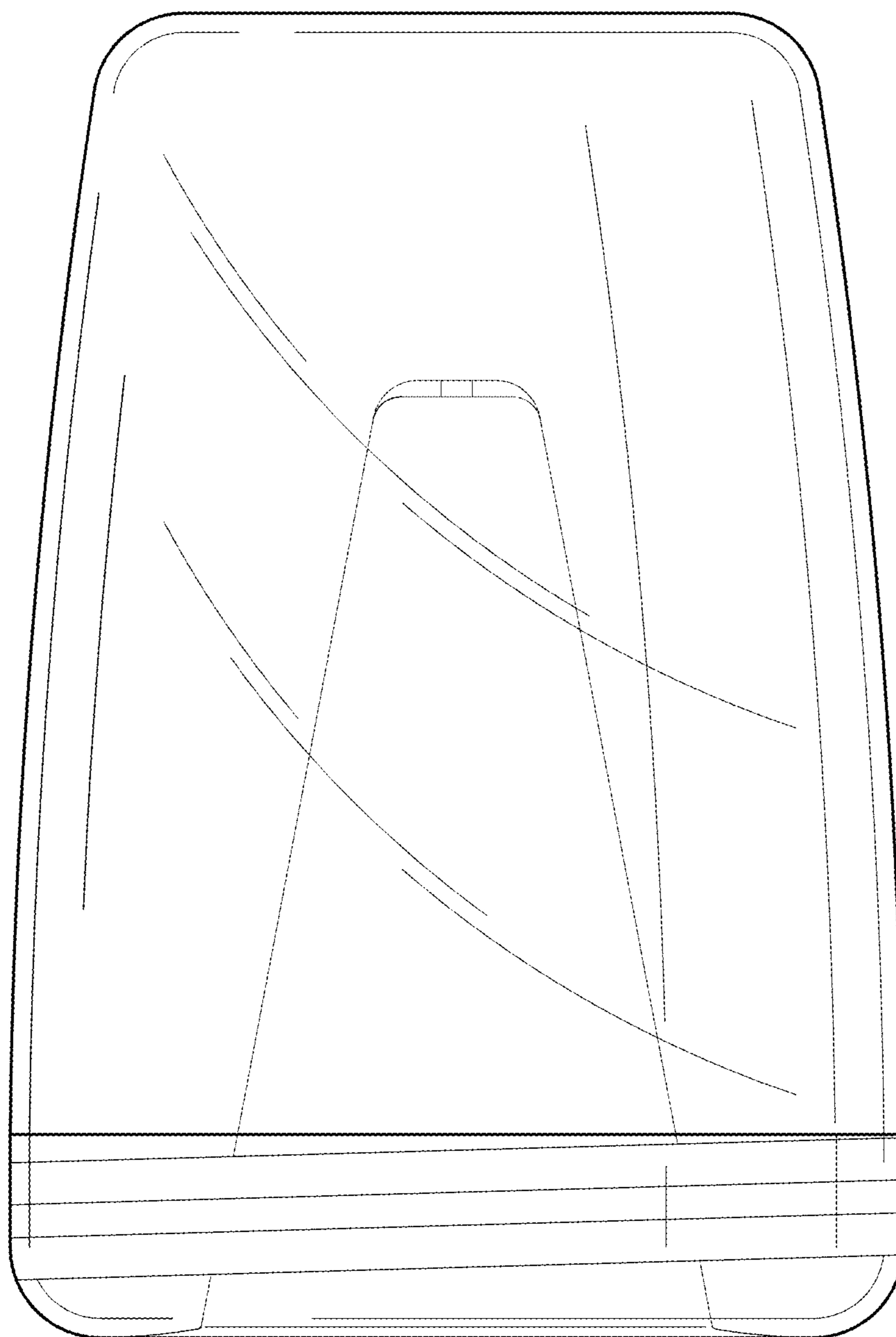


FIG. 2

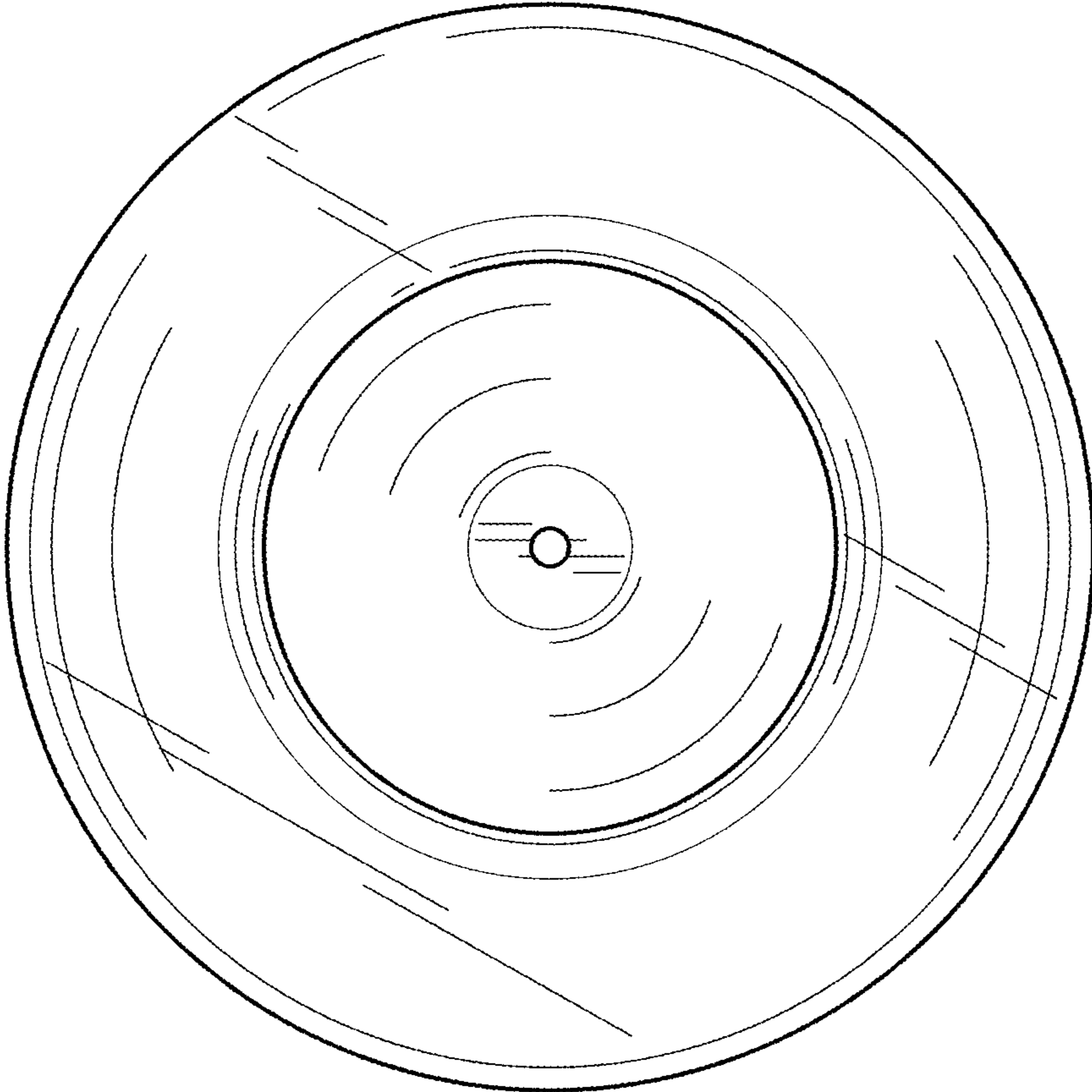


FIG. 3

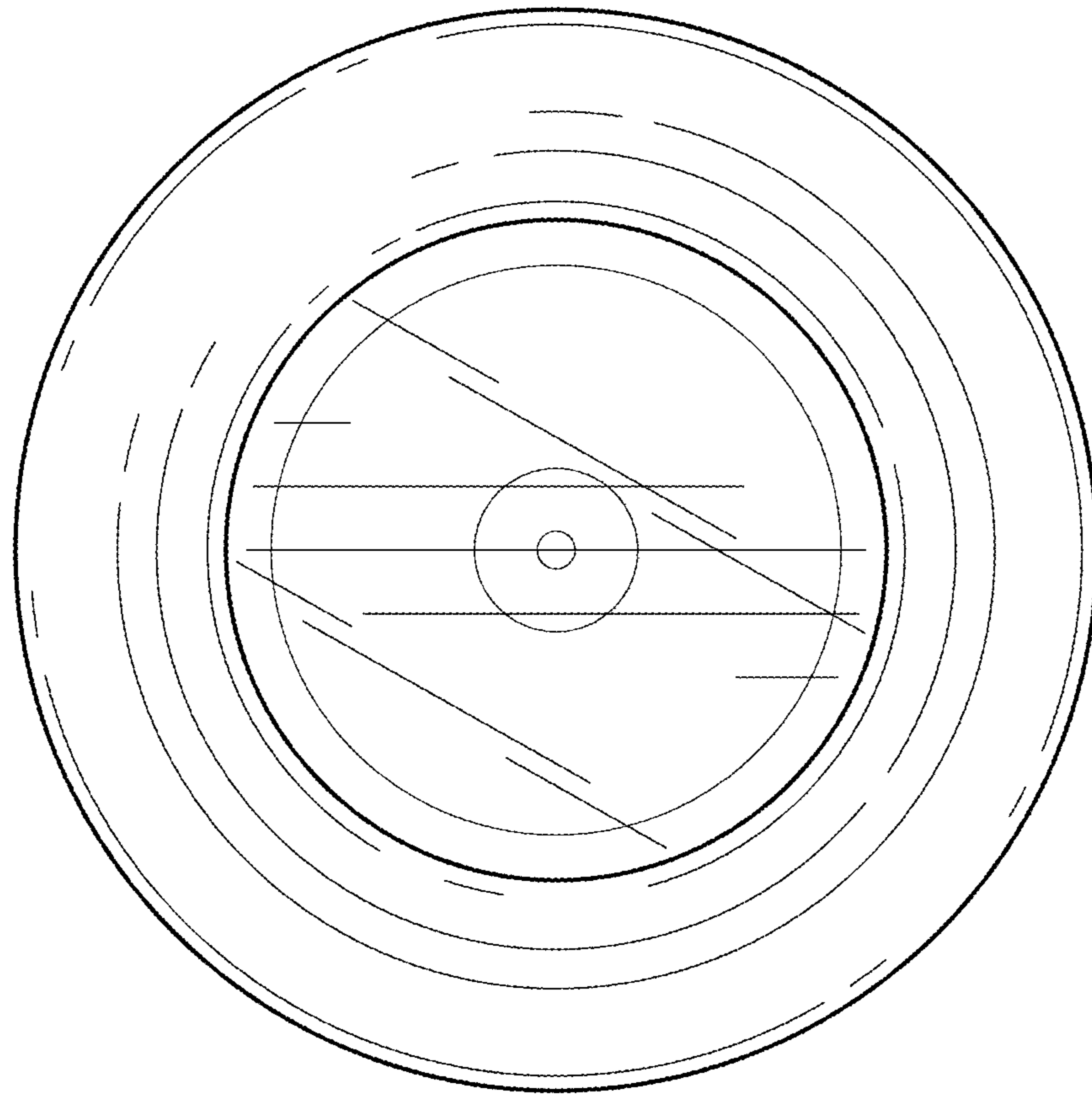


FIG. 4