



US00D702087S

(12) **United States Design Patent**  
**Steel et al.**

(10) **Patent No.:** **US D702,087 S**

(45) **Date of Patent:** **\*\* Apr. 8, 2014**

(54) **SHAKER MUG**

(71) Applicants: **Jeffrey Steel**, Hoboken, NJ (US); **Jillian L. Walbroel**, Woodland Park, NJ (US)

(72) Inventors: **Jeffrey Steel**, Hoboken, NJ (US); **Jillian L. Walbroel**, Woodland Park, NJ (US)

(73) Assignee: **Cotapaxi Custom Design and Manufacturing LLC**, Carlstadt, NJ (US)

(\*\*) Term: **14 Years**

(21) Appl. No.: **29/463,119**

(22) Filed: **Aug. 5, 2013**

(51) **LOC (10) Cl.** ..... **07-01**

(52) **U.S. Cl.**

USPC ..... **D7/523; D7/510; D7/300.1**

(58) **Field of Classification Search**

USPC ..... D7/396.2, 300.1, 510, 511, 532, 523,  
D7/531, 513, 608; D9/743, 502, 504;  
215/209; 220/720, 715, 281, 739, 23.4,  
220/23.8; 206/503, 501

See application file for complete search history.

(56) **References Cited**

**U.S. PATENT DOCUMENTS**

D42,683 S \* 7/1912 Anderson ..... D7/531  
D81,984 S \* 9/1930 Smith ..... D7/531  
D284,923 S \* 8/1986 Ritman ..... D7/531  
D305,194 S \* 12/1989 Durand ..... D7/536  
D308,318 S \* 6/1990 Durand ..... D7/523  
5,033,232 A \* 7/1991 Vaughn ..... 47/72  
D343,091 S \* 1/1994 Shafer ..... D7/531

D404,319 S \* 1/1999 Deleskiewicz ..... D10/32  
D421,547 S \* 3/2000 Demers ..... D7/510  
D461,684 S \* 8/2002 Wilson ..... D7/531  
D489,939 S \* 5/2004 Allanson ..... D7/510  
D527,583 S \* 9/2006 Freeman ..... D7/523  
D541,107 S \* 4/2007 Mansfield ..... D7/513  
D559,039 S \* 1/2008 Freeman ..... D7/523  
D644,065 S \* 8/2011 Llerena ..... D7/510  
D646,919 S \* 10/2011 Nilsson ..... D7/300.1  
D656,357 S \* 3/2012 Enghard ..... D7/300.1  
D666,047 S \* 8/2012 Lin ..... D7/300.1  
D683,575 S \* 6/2013 Devlin ..... D7/300.1  
D687,661 S \* 8/2013 Cetera et al. .... D7/300.1  
D688,520 S \* 8/2013 Lin ..... D7/507

\* cited by examiner

*Primary Examiner* — Marianne Pandozzi

(74) *Attorney, Agent, or Firm* — Steven E. Shapiro

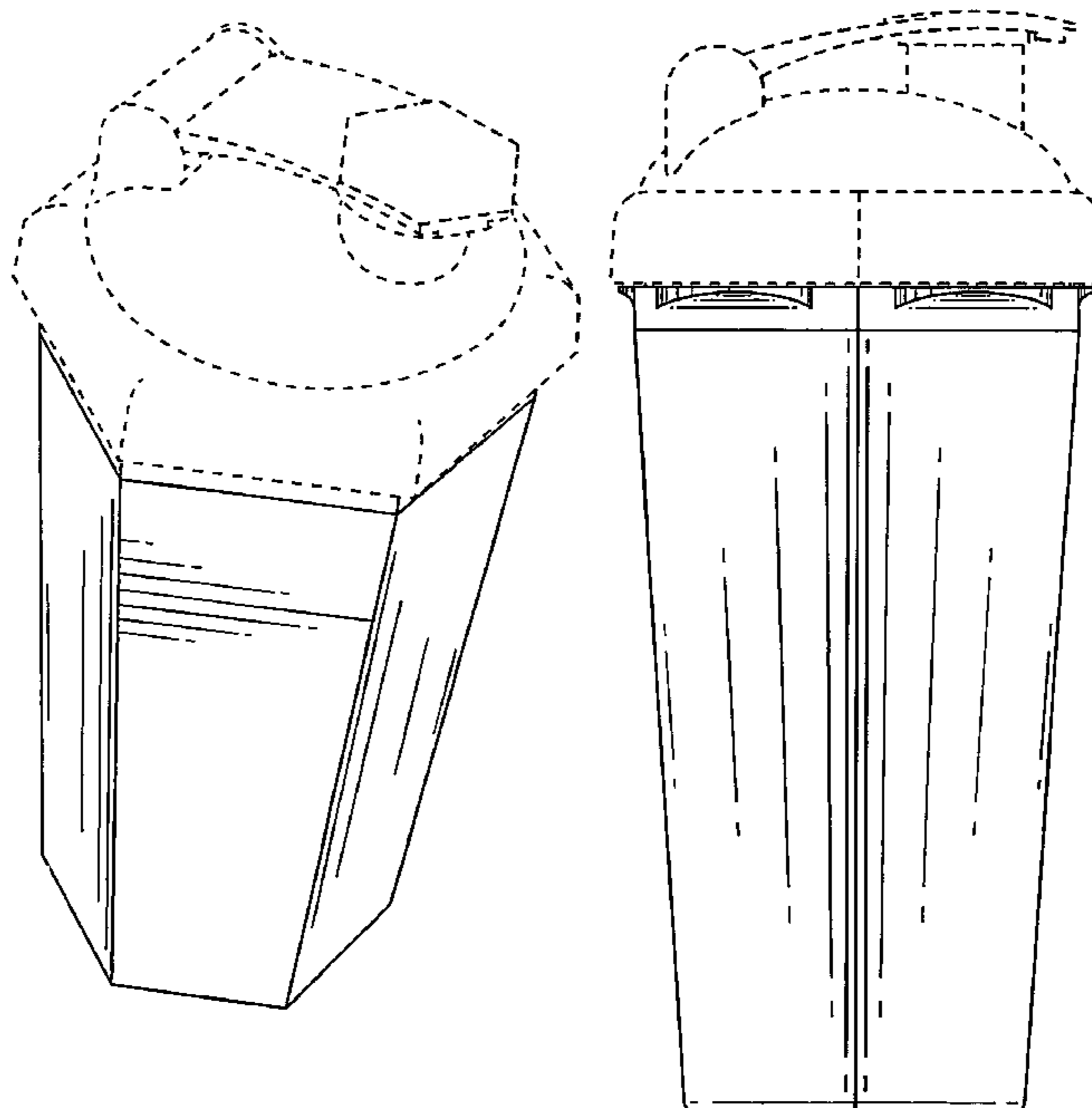
(57) **CLAIM**

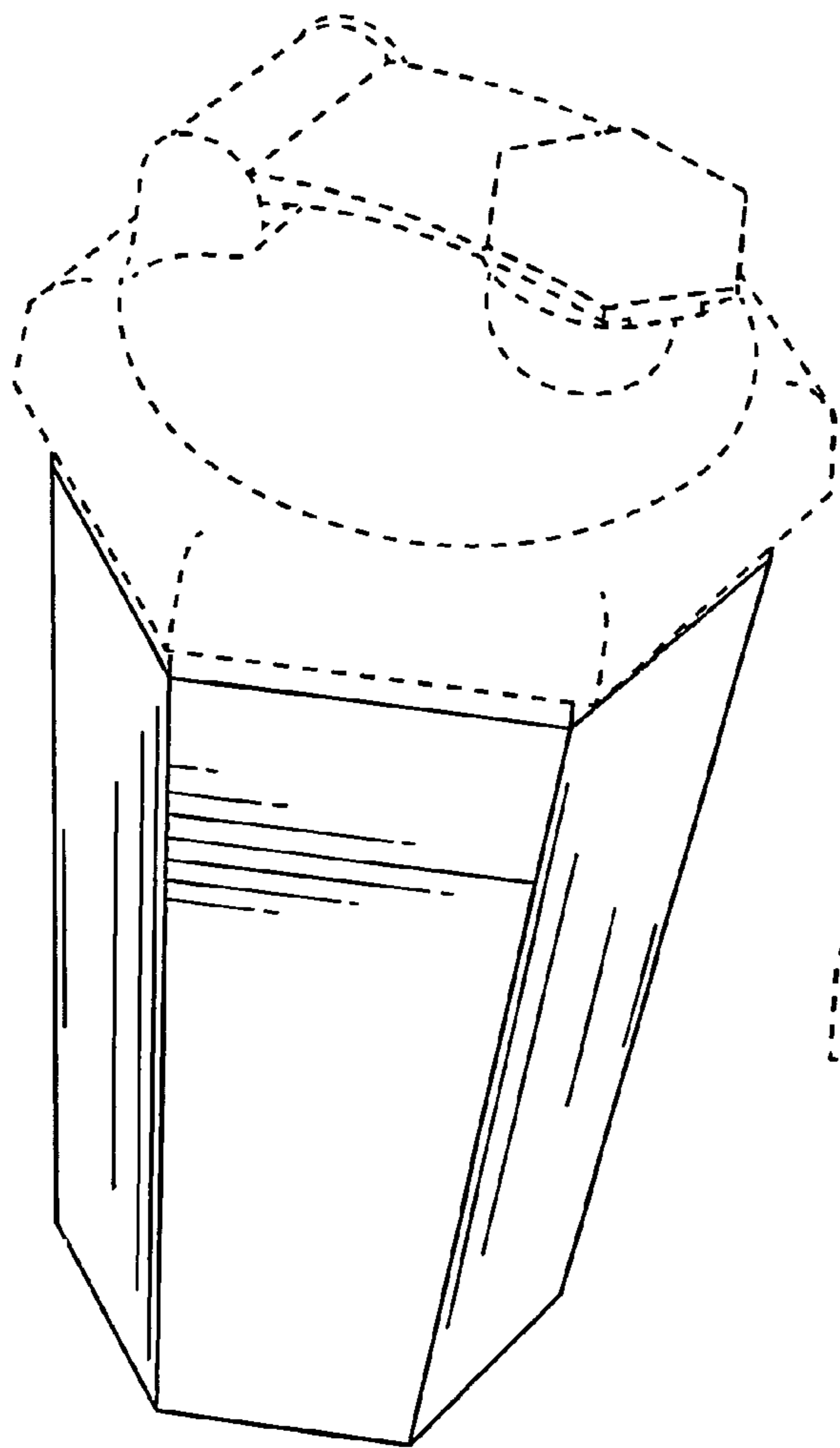
The ornamental design for a shaker mug, as shown and described.

**DESCRIPTION**

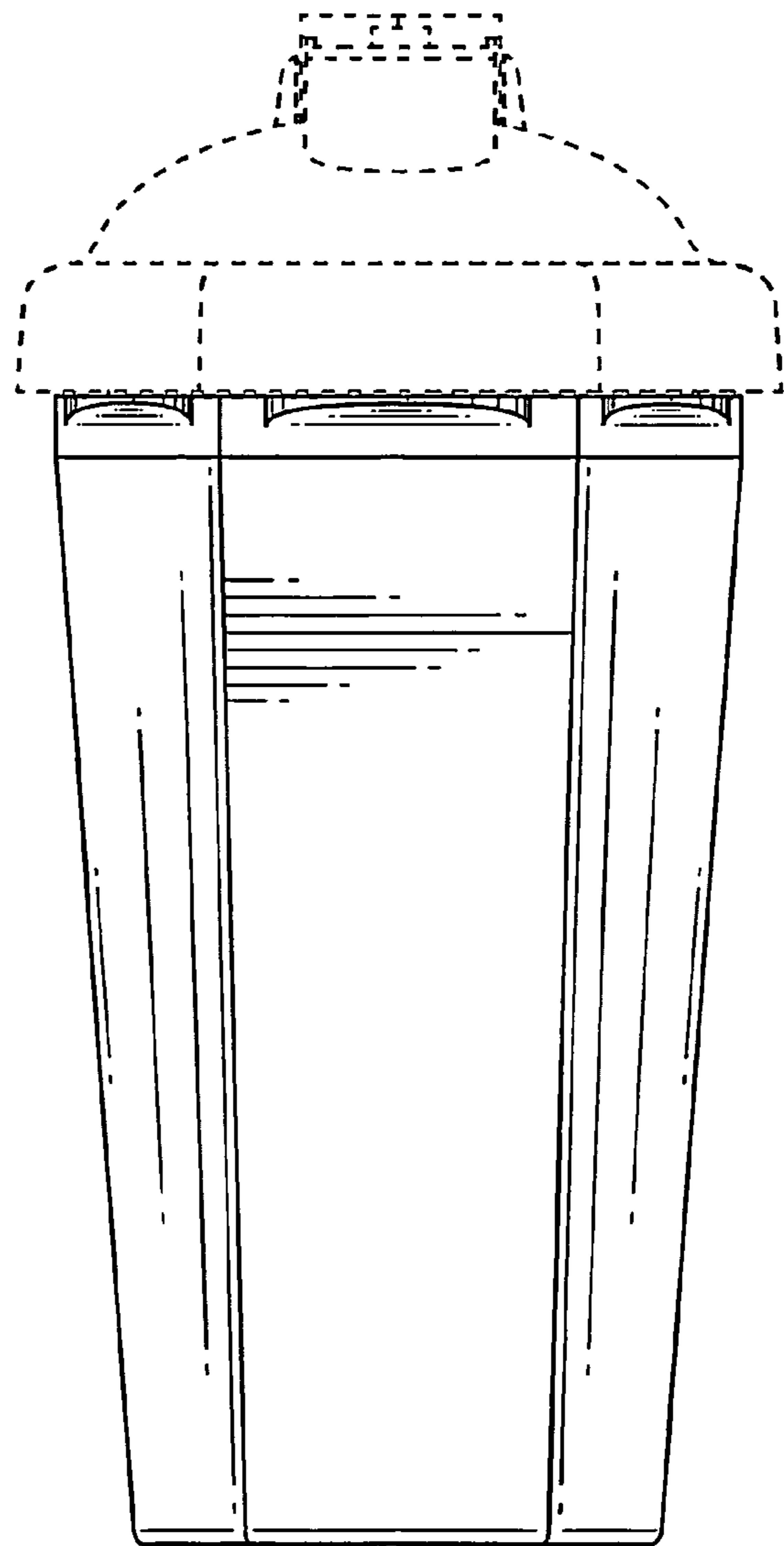
FIG. 1 is a top perspective view of a shaker mug;  
FIG. 2 is a front view of the shaker mug;  
FIG. 3 is a rear view of the shaker mug;  
FIG. 4 is a left side view of the shaker mug;  
FIG. 5 is a right side view of the shaker mug;  
FIG. 6 is a top view of the shaker mug;  
FIG. 7 is a bottom view of the shaker mug; and,  
FIG. 8 is a bottom perspective view of the shaker mug.  
The broken lines shown in the drawings represent portions of the shaker mug that form no part of the claimed design.

**1 Claim, 4 Drawing Sheets**

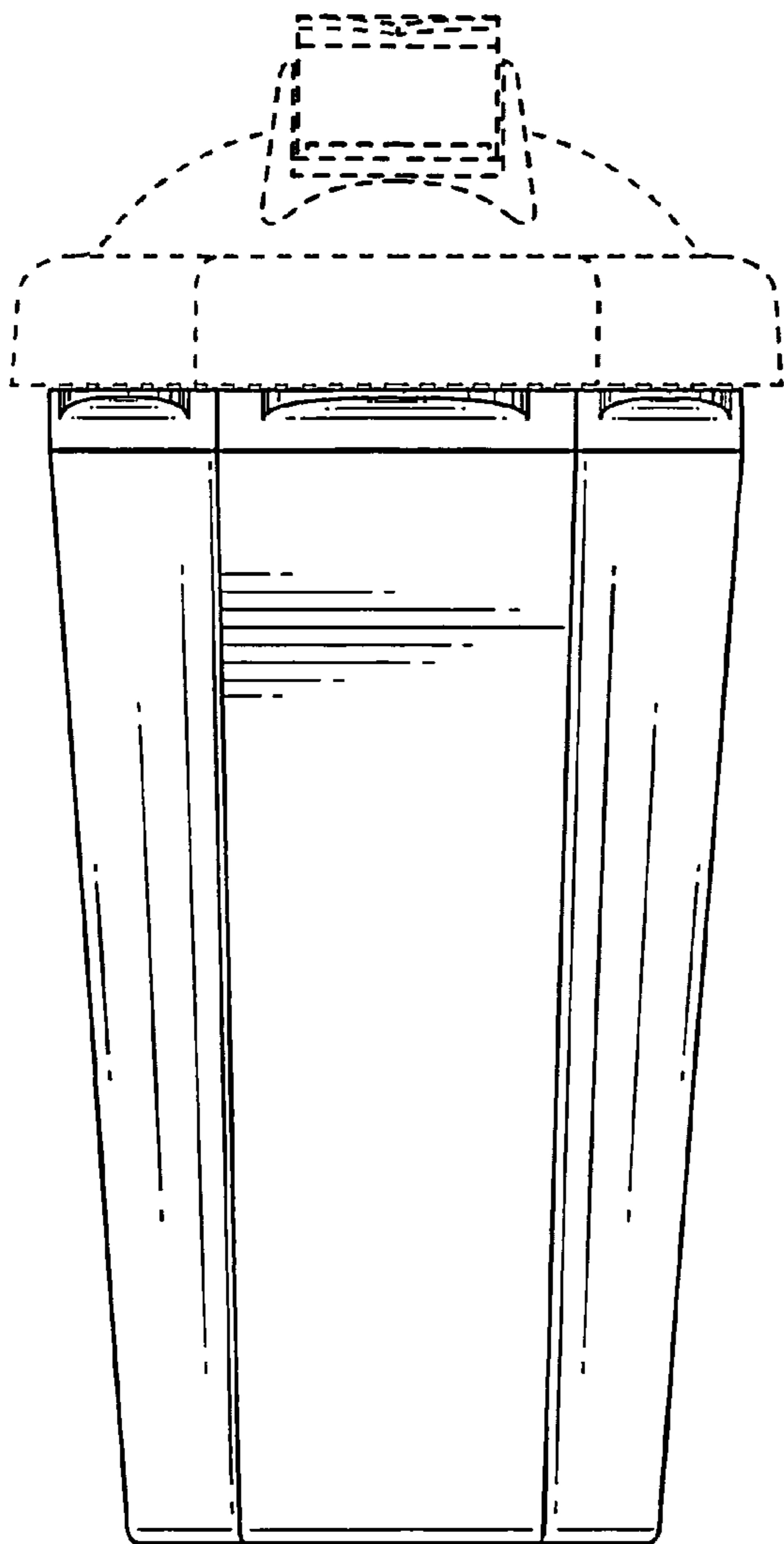




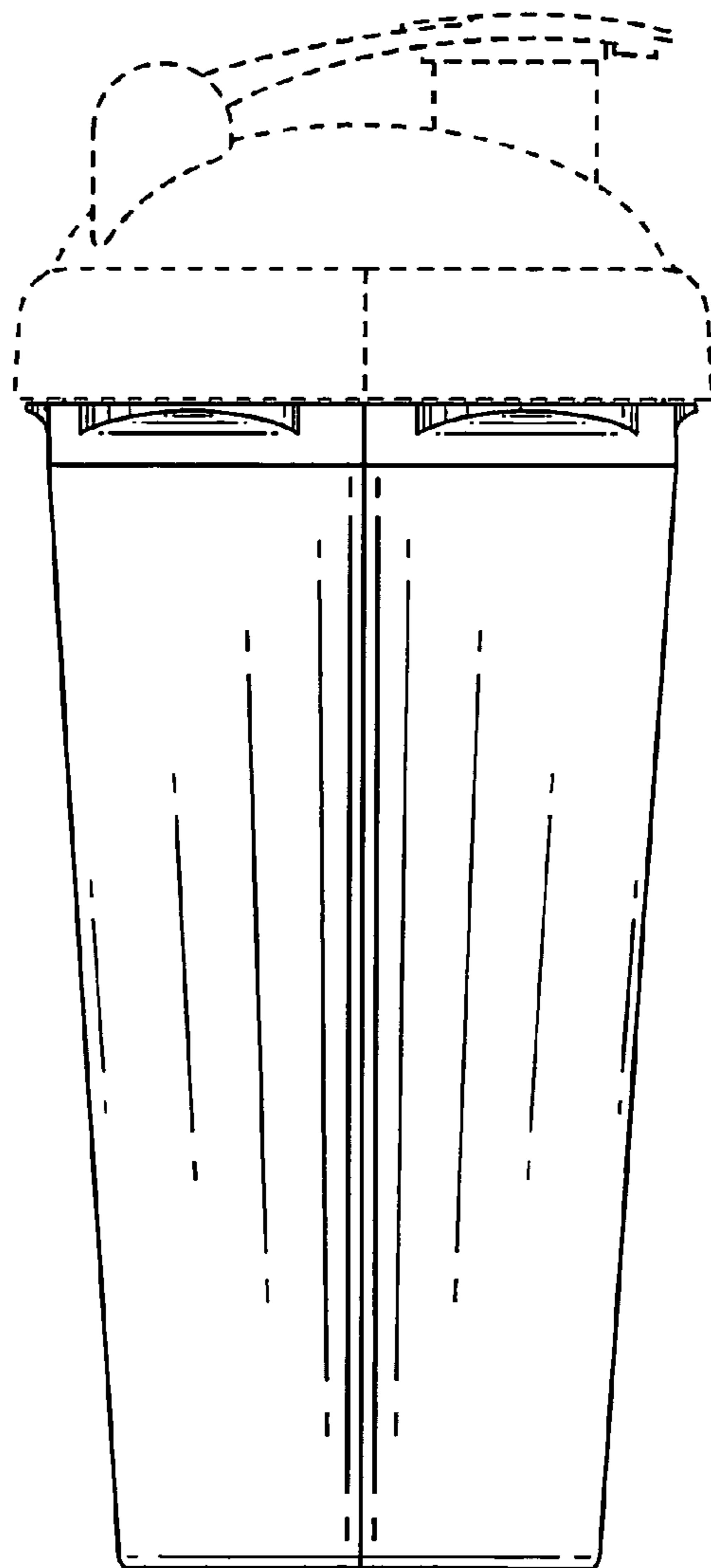
*Fig. 1*



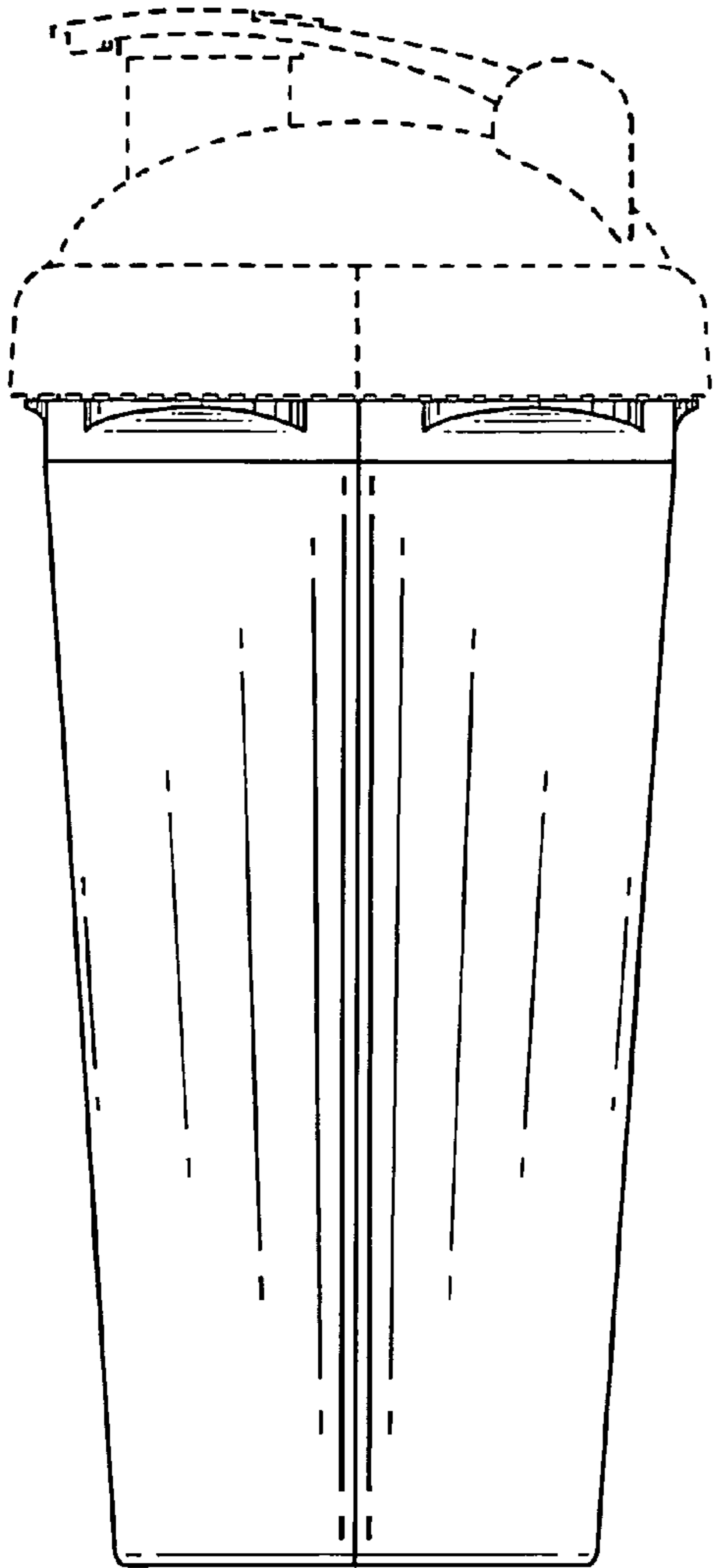
*Fig. 2*



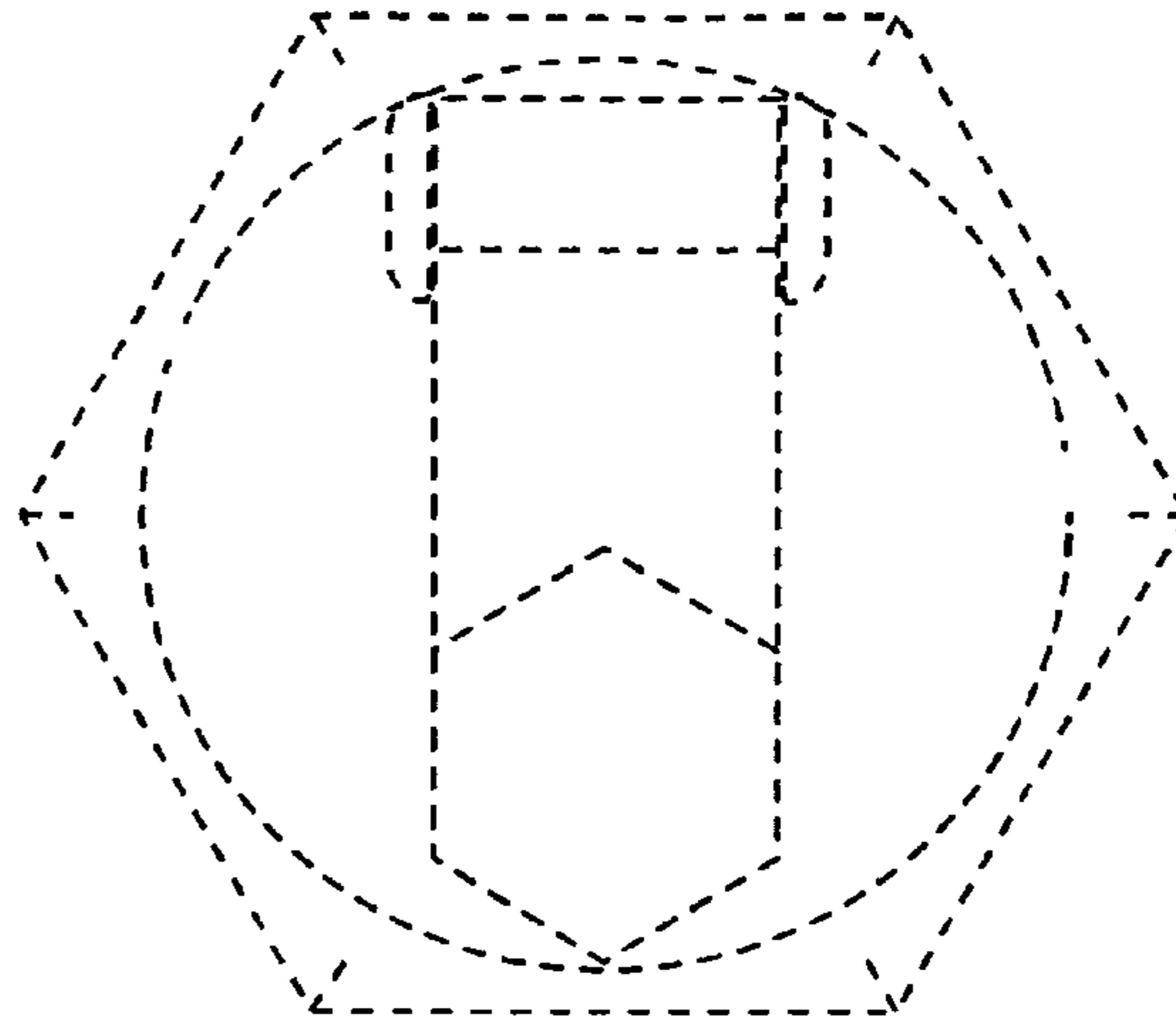
*Fig. 3*



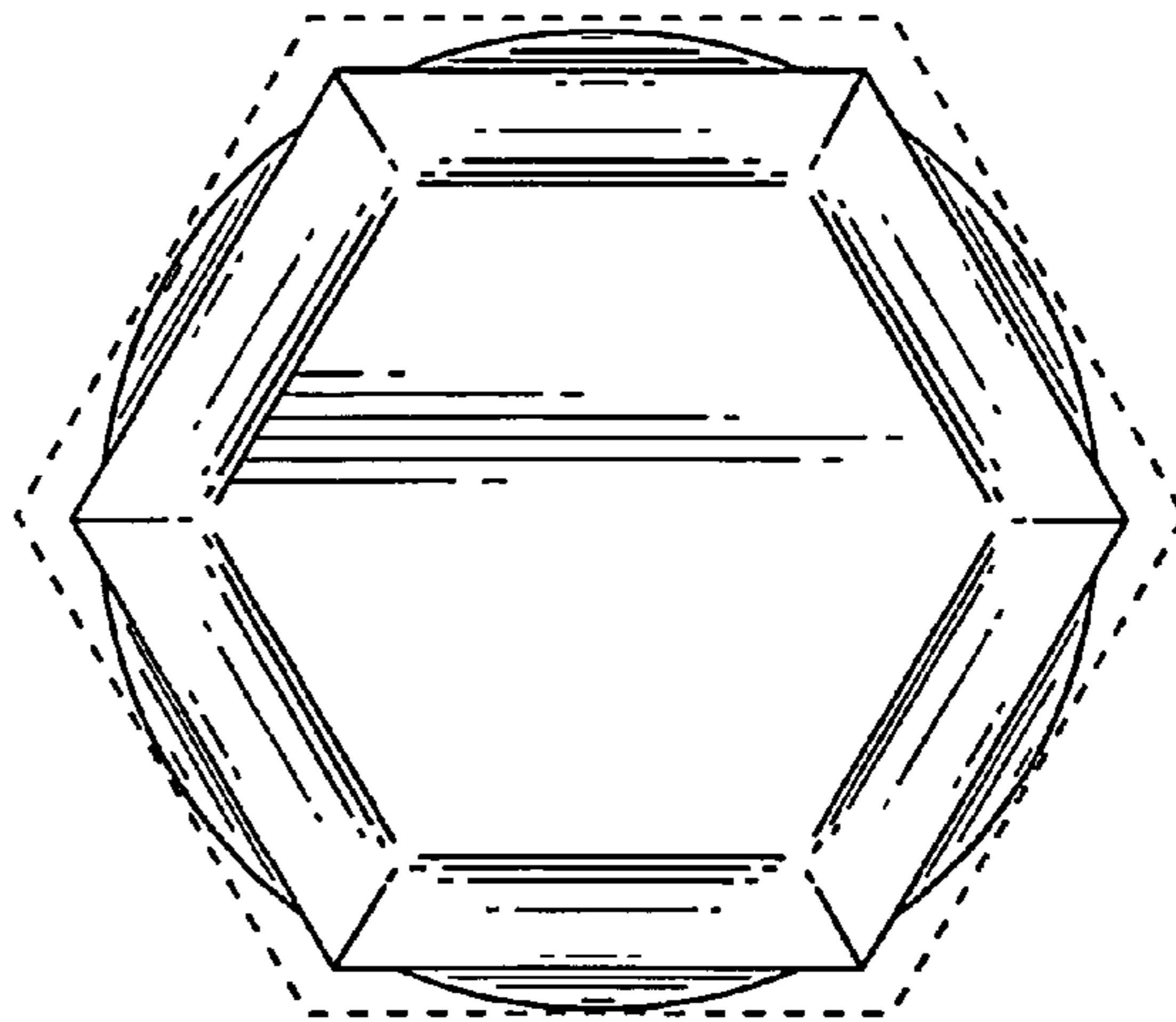
*Fig. 4*



*Fig. 5*



*Fig. 6*



*Fig. 7*

*Fig. 8*

