



US00D702085S

(12) **United States Design Patent**
Audette

(10) **Patent No.:** **US D702,085 S**
(45) **Date of Patent:** **** Apr. 8, 2014**

- (54) **BLADE ASSEMBLY**
- (71) Applicant: **Euro-Pro Operating LLC**, Newton, MA (US)
- (72) Inventor: **David M. Audette**, Webster, MA (US)
- (73) Assignee: **Euro-Pro Operating LLC**, Newton, MA (US)
- (**) Term: **14 Years**
- (21) Appl. No.: **29/447,259**
- (22) Filed: **Mar. 1, 2013**
- (51) **LOC (10) Cl.** **31-00**
- (52) **U.S. Cl.**
USPC **D7/412; D7/376; D7/378**
- (58) **Field of Classification Search**
USPC D7/301-313, 316-326, 356-357, 368, D7/372-386, 391-398, 412-415, 503, 515, D7/665-666, 679, 691-693; D15/29; 30/265; 99/280, 326, 348, 492, 99/508-512; 241/30-37.5, 98, 241/101.01-101.2, 166-169.1, 172, 199.12, 241/272, 282.1-282.2, 285.1-285.3, 291, 241/292.1; 366/64-67, 98, 129, 142-144, 366/192-211, 241-254, 262, 279, 282.1, 366/282.2, 292, 325.8, 325.92, 341-347; 416/75-77, 70 R, 163, 175, 227 R
See application file for complete search history.

D366,595 S	1/1996	Dobson et al.	
D421,201 S	2/2000	Crescenzi et al.	
D421,546 S	3/2000	Ekstrom	
6,092,922 A *	7/2000	Kett et al.	366/205
6,532,863 B1	3/2003	Lee	
D499,303 S	12/2004	Huang	
6,834,818 B2 *	12/2004	Lee	241/292.1
D501,628 S	2/2005	Feil	
D523,028 S *	6/2006	Fitzpatrick	D15/29
D572,076 S	7/2008	Ling	
D604,101 S	11/2009	Sands	
7,641,380 B2	1/2010	Behar et al.	

(Continued)

OTHER PUBLICATIONS

U.S. Appl. No. 29/447,113, Feb. 28, 2013, Potter et al.

(Continued)

Primary Examiner — Ricky Pham

(74) *Attorney, Agent, or Firm* — Wolf, Greenfield & Sacks, P.C.

(57) **CLAIM**

The ornamental design for a blade assembly, as shown and described.

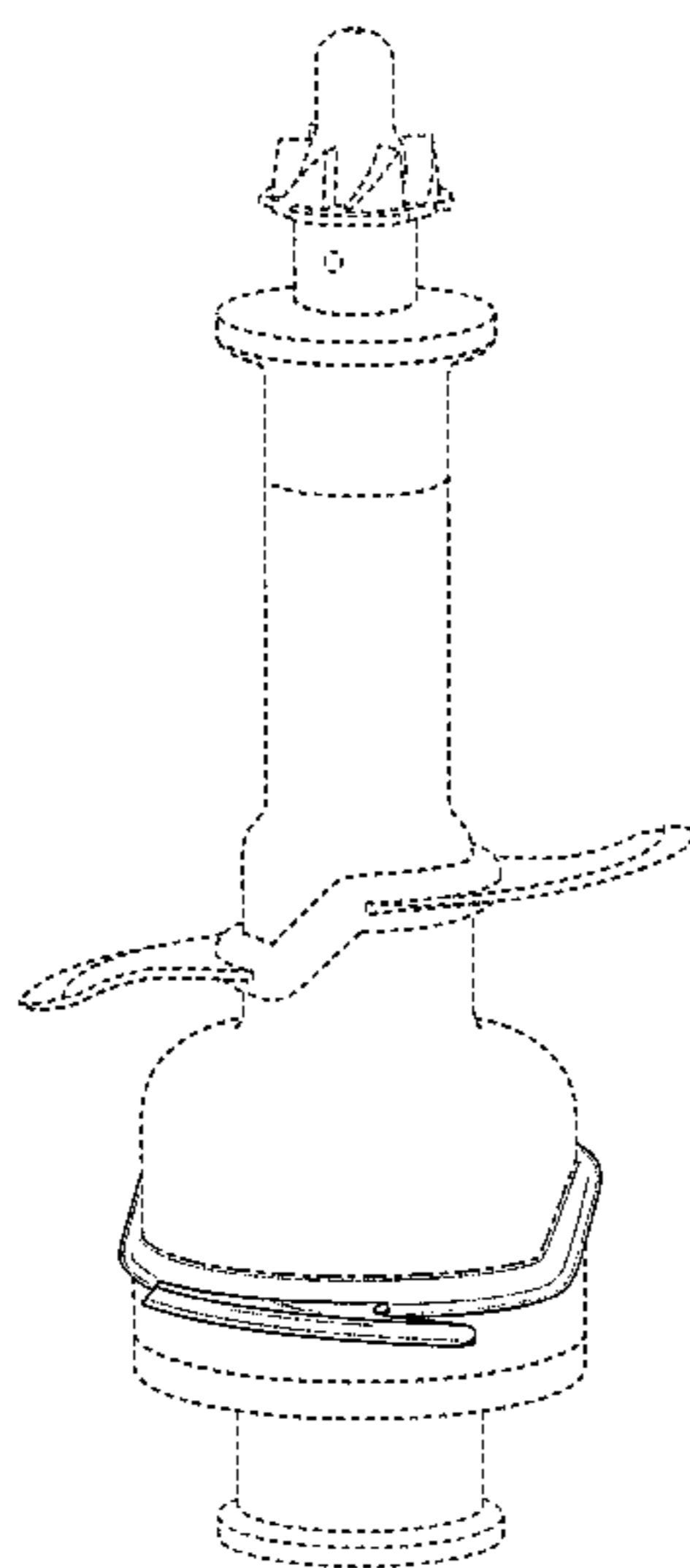
DESCRIPTION

FIG. 1 is a top, front, left side perspective view of a blade assembly showing our new design; FIG. 2 is a front elevational view thereof; FIG. 3 is a rear elevational view thereof; FIG. 4 is a left side elevational view thereof; FIG. 5 is a right side elevational view thereof; FIG. 6 is a top plan view thereof; and, FIG. 7 is a bottom plan view thereof.

The broken lines of FIGS. 1-7 illustrate portions of the blade assembly that form no part of the claimed design. The dash-dot-dash broken lines shown in the drawings define boundaries of the claimed design.

1 Claim, 6 Drawing Sheets

- (56) **References Cited**
U.S. PATENT DOCUMENTS
- 3,139,917 A 7/1964 Elmore
- 3,461,933 A 8/1969 Mantelet
- 4,173,310 A 11/1979 Schaeffer
- 4,331,300 A 5/1982 Hicks et al.
- 4,733,827 A 3/1988 Williams
- 4,817,878 A 4/1989 Shibata
- 4,930,709 A 6/1990 Steffens



(56)

References Cited

U.S. PATENT DOCUMENTS

D624,359 S * 9/2010 Schleinzer D7/412
D632,523 S * 2/2011 Metaxatos et al. D7/412
D647,364 S 10/2011 Audette et al.
D647,365 S 10/2011 Audette et al.
8,056,848 B1 * 11/2011 Liang 241/292.1
8,132,752 B1 3/2012 Hotaling et al.
8,197,121 B2 6/2012 Sands
D663,586 S 7/2012 Audette
D668,115 S 10/2012 Potter
D682,030 S 5/2013 Ezechukwu
8,444,076 B2 * 5/2013 Rukavina 241/282.1

D684,817 S * 6/2013 Leavitt D7/412
2002/0139884 A1 * 10/2002 Williams et al. 241/282.1
2007/0291583 A1 * 12/2007 Baschnagel 366/205
2008/0198691 A1 * 8/2008 Behar et al. 366/205
2009/0260236 A1 * 10/2009 Lin 30/265
2010/0246320 A1 9/2010 Sands
2012/0080549 A1 * 4/2012 Rukavina 241/282.1
2012/0091245 A1 4/2012 Menashes

OTHER PUBLICATIONS

U.S. Appl. No. 29/447,112, Feb. 28, 2013, Audette.
U.S. Appl. No. 29/447,102, Feb. 28, 2013, Audette.

* cited by examiner

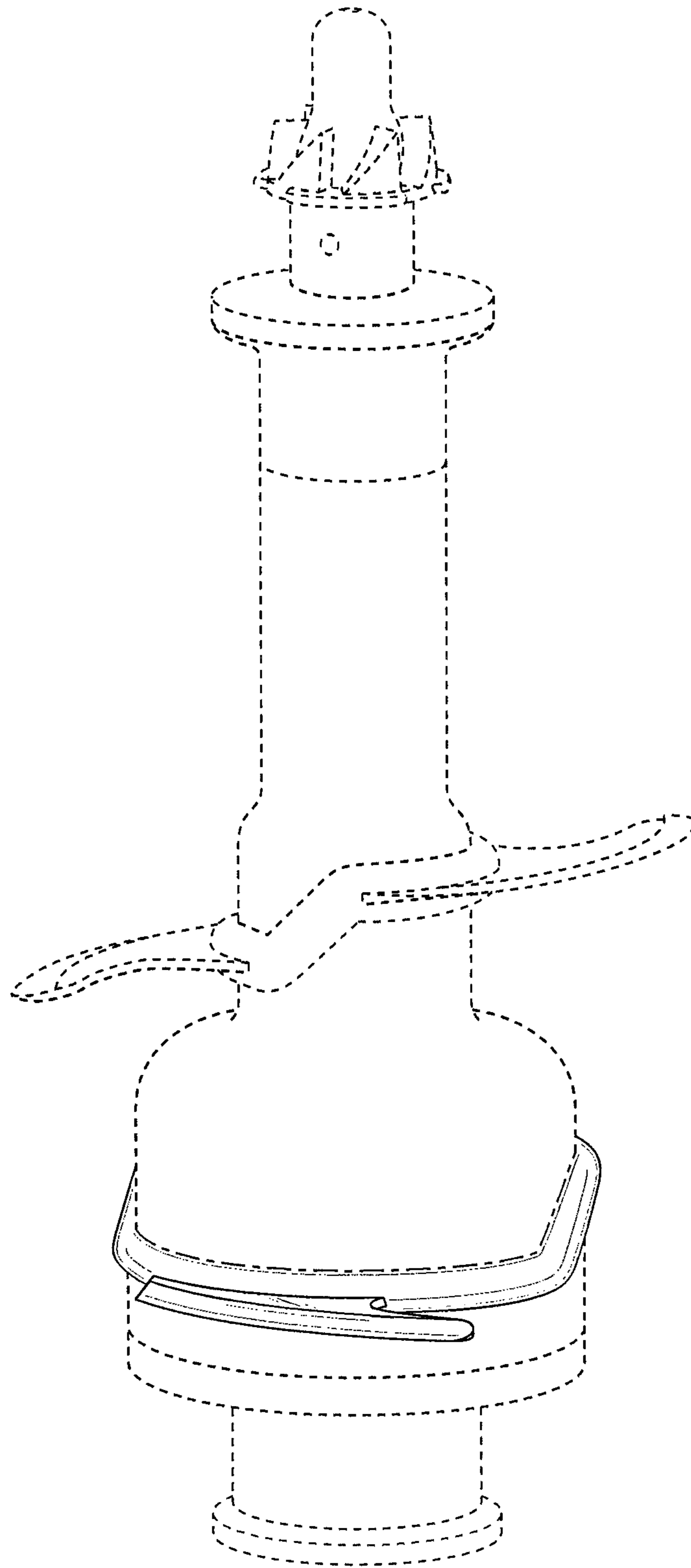


FIG. 1

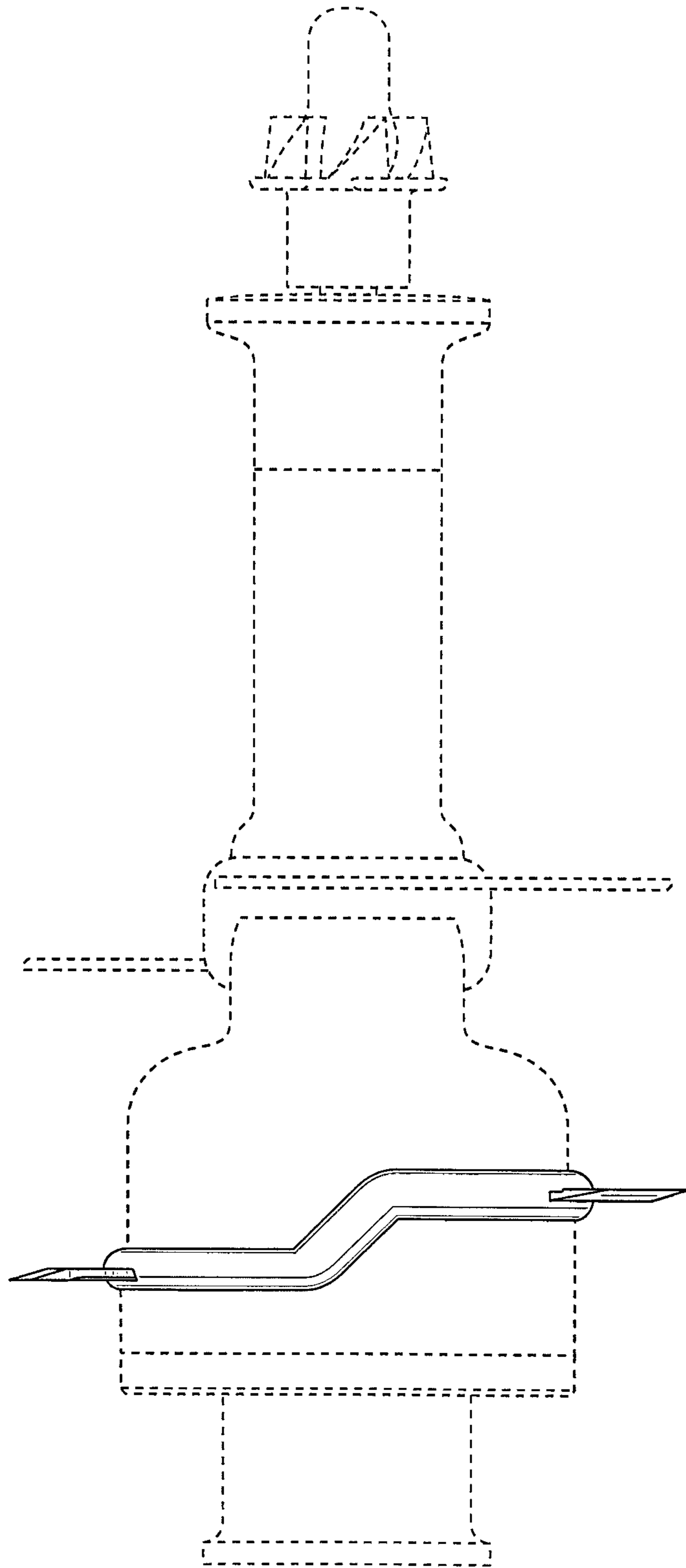


FIG. 2

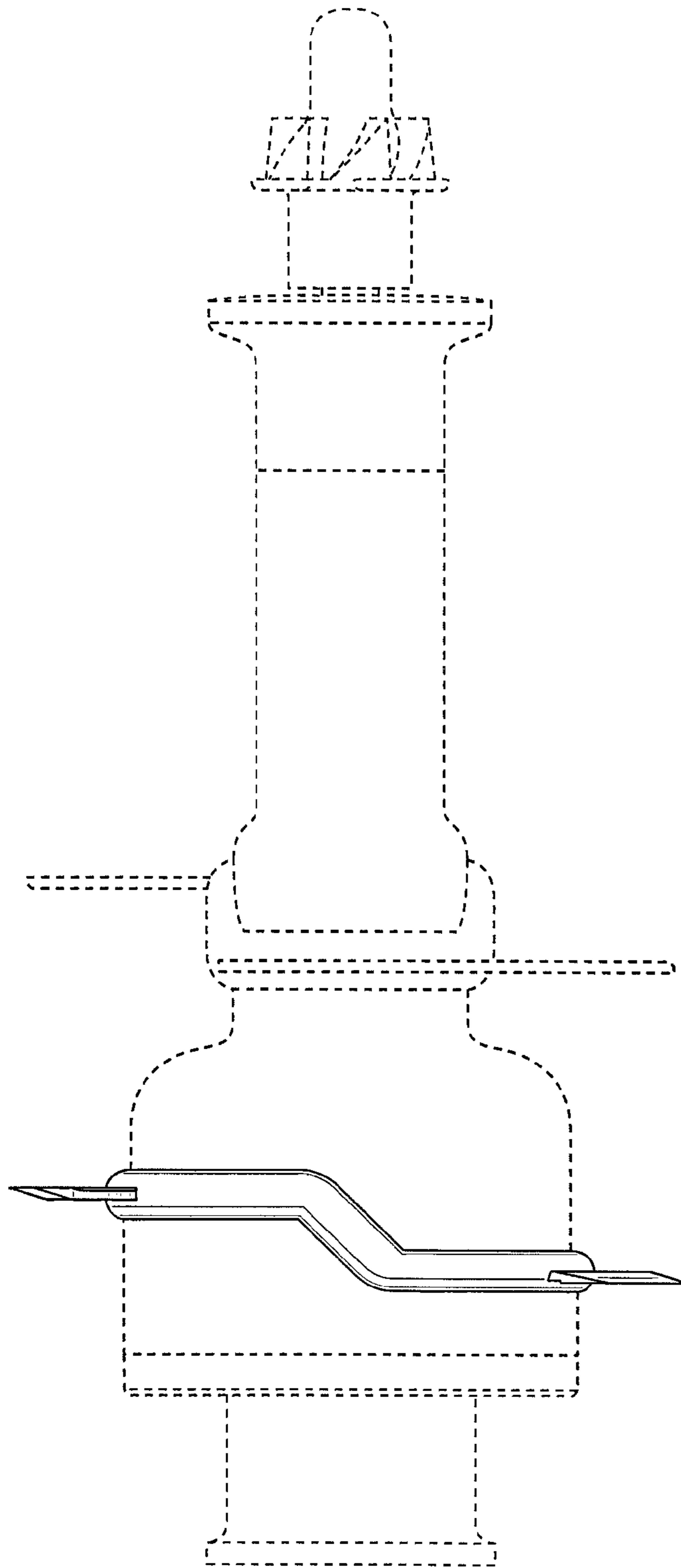


FIG. 3

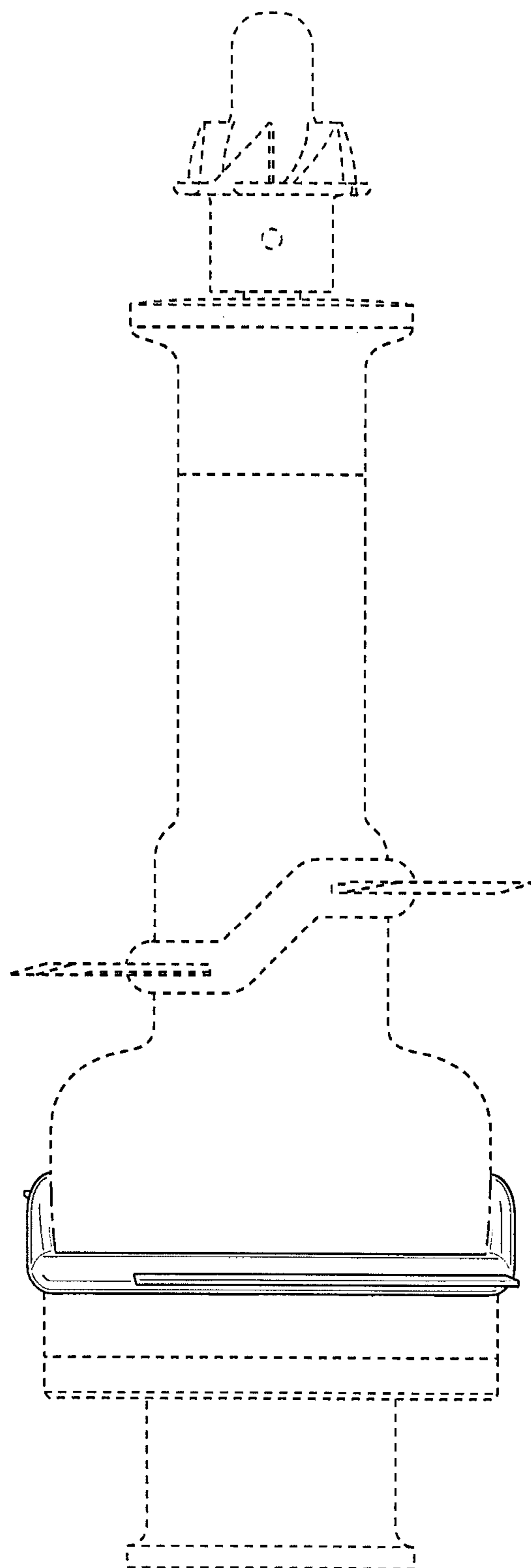


FIG. 4

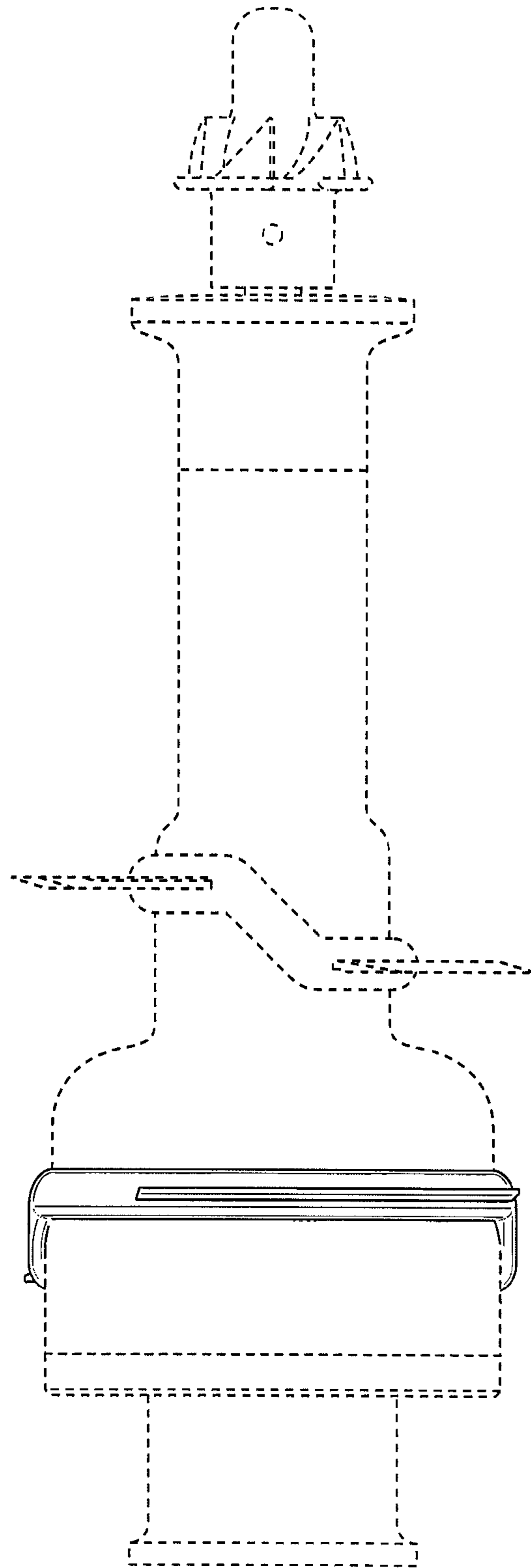


FIG. 5

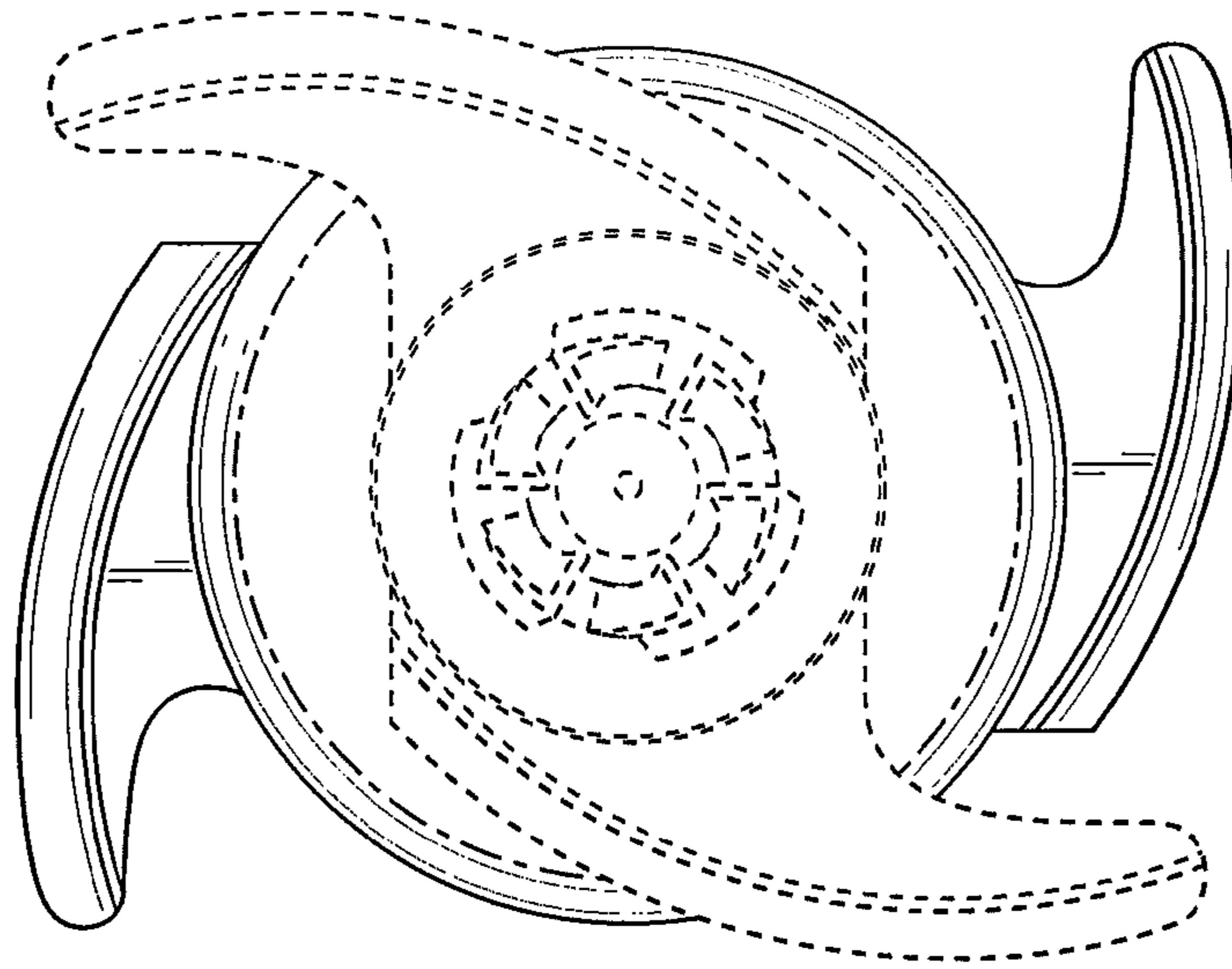


FIG. 6

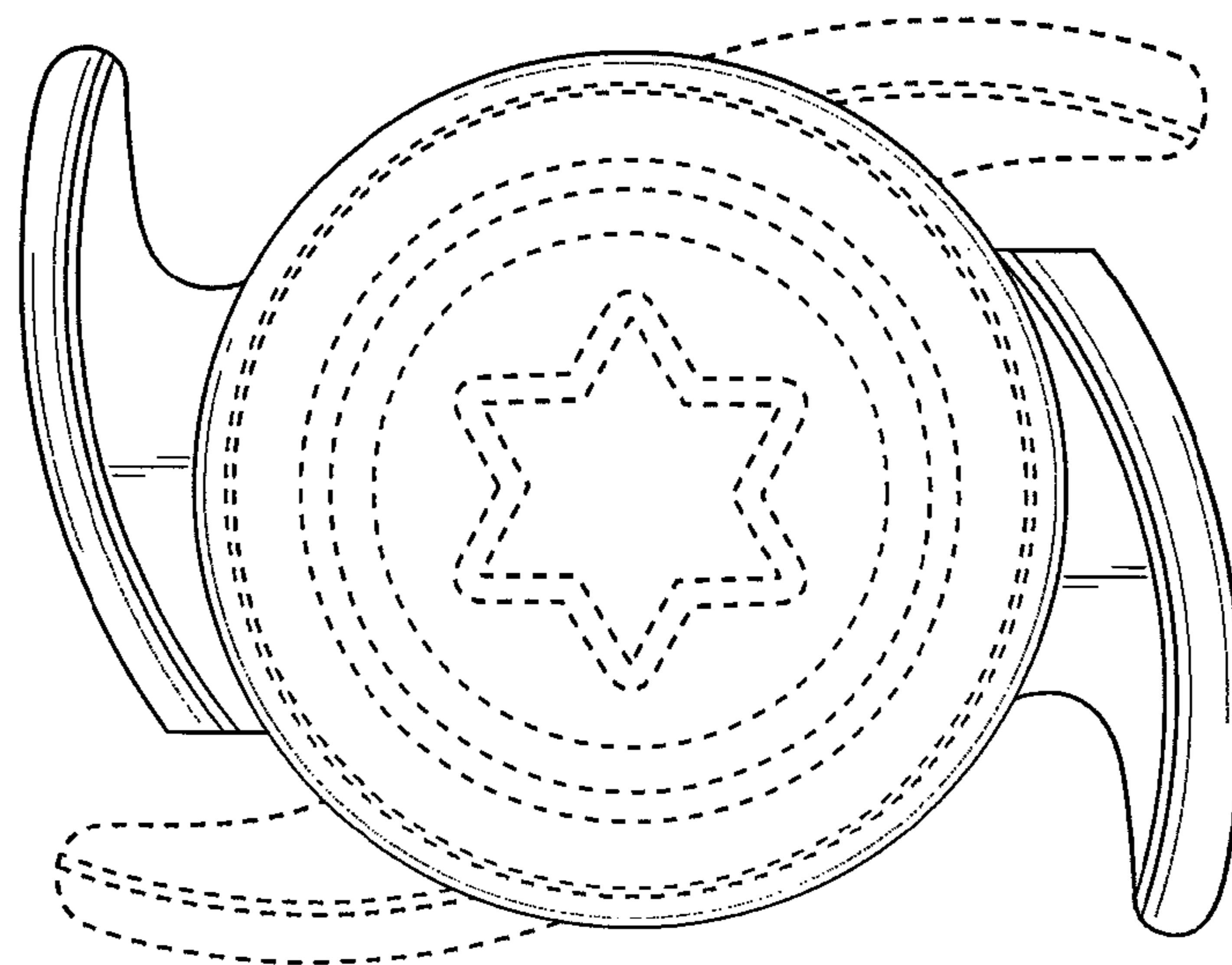


FIG. 7