



US00D702078S

(12) **United States Design Patent**
Coakley et al.

(10) **Patent No.:** **US D702,078 S**

(45) **Date of Patent:** **** Apr. 8, 2014**

(54) **BLENDER BASE**

(56) **References Cited**

(71) Applicant: **Euro-Pro Operating LLC**, Newton, MA (US)

(72) Inventors: **Devin Joseph Coakley**, Bellingham, MA (US); **Mark Allen Nichols**, Newton Highlands, MA (US); **Michael Tracz**, Brecksville, OH (US); **Anthony DeMore**, Willoughby, OH (US); **James Park**, Chardon, OH (US)

(73) Assignee: **Euro-Pro Operating LLC**, Newton, MA (US)

U.S. PATENT DOCUMENTS

D200,494	S	*	3/1965	Bezark, Jr.	D7/386
D204,117	S	*	3/1966	De Sesa	D7/378
D542,085	S	*	5/2007	Reyes et al.	D7/386
D552,419	S	*	10/2007	Picozza et al.	D7/412
D595,084	S	*	6/2009	Metaxatos et al.	D7/386
D605,461	S	*	12/2009	Picozza et al.	D7/386
D605,462	S	*	12/2009	Picozza et al.	D7/386
D642,857	S	*	8/2011	Bodum	D7/378
D660,642	S	*	5/2012	Boozer et al.	
D660,643	S	*	5/2012	Boozer et al.	D7/386
D667,260	S	*	9/2012	Lee et al.	D7/386
D668,100	S	*	10/2012	Palermo et al.	D7/386
D670,532	S	*	11/2012	Boozer et al.	
D690,152	S	*	9/2013	Palermo et al.	D7/386
2003/0214875	A1	*	11/2003	Dickson, Jr.	366/206

(**) Term: **14 Years**

* cited by examiner

(21) Appl. No.: **29/447,117**

Primary Examiner — Ricky Pham

(22) Filed: **Feb. 28, 2013**

(74) *Attorney, Agent, or Firm* — Wolf, Greenfield & Sacks, P.C.

(51) **LOC (10) Cl.** **31-00**

(52) **U.S. Cl.**
USPC **D7/386**; D7/376; D7/378; D7/412

(57) **CLAIM**

The ornamental design for a blender base, as shown and described.

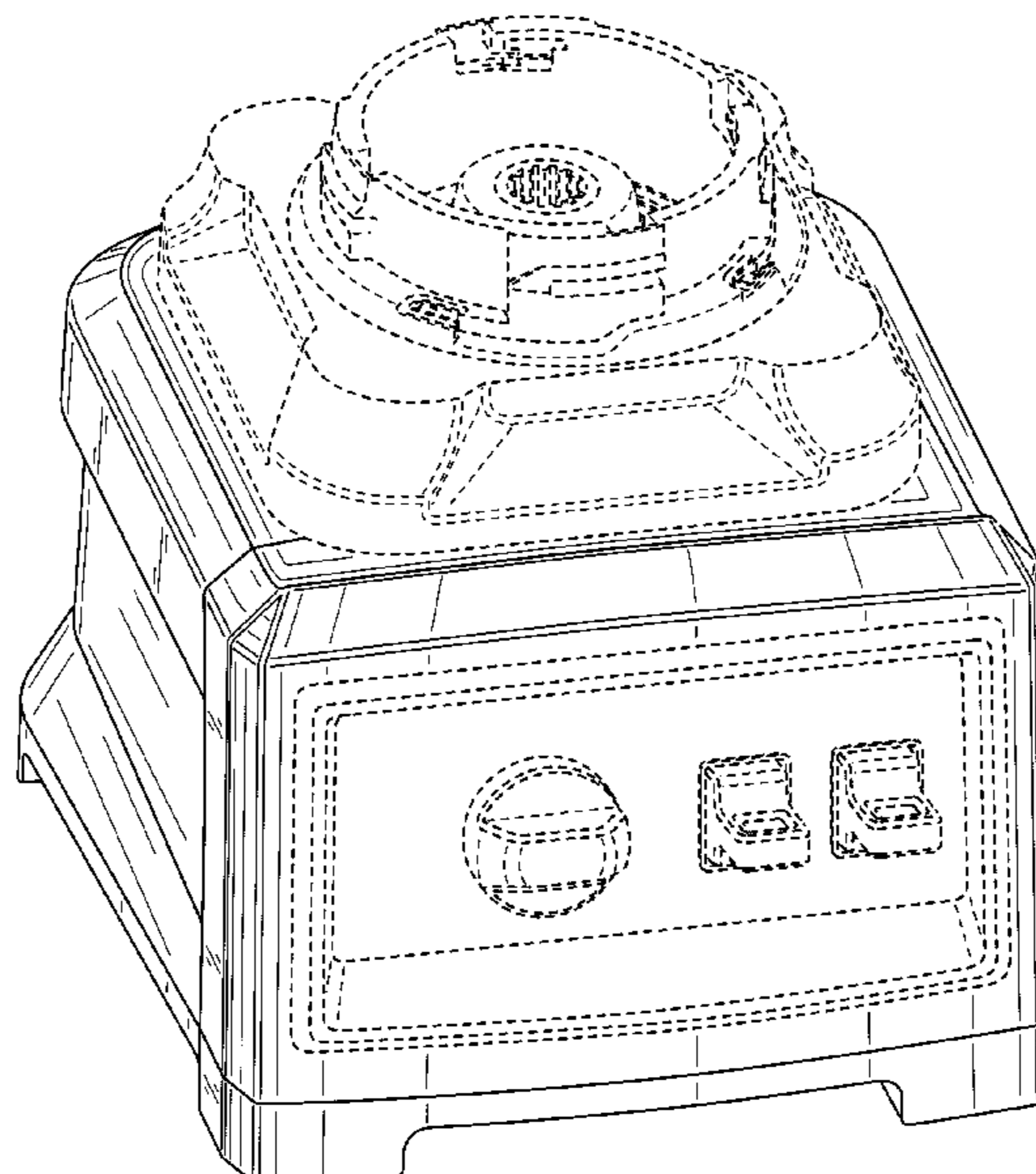
(58) **Field of Classification Search**
USPC D7/301–313, 316–326, 354–357, 368, D7/372–386, 391–398, 402, 412–415, 503, D7/515, 543, 584–587, 607, 665–666, 679, D7/691–693; 99/280, 326, 348, 486, 99/492–495, 508–512; 241/30–37.5, 82.1, 241/92–93, 98, 101.01–101.2, 166–169.1, 241/172, 261.1, 272, 277, 282.2, 241/285.1–285.3, 291, 292.1; 318/453; 366/44, 64–67, 98, 129, 142–146, 366/169.1, 192–211, 241–254, 262, 366/279–292, 314, 325.8, 325.92, 366/341–347; 416/75–77, 70 R, 163

DESCRIPTION

FIG. 1 is a top, front, left side perspective view of a blender base showing our new design;
FIG. 2 is a front elevational view thereof;
FIG. 3 is a rear elevational view thereof;
FIG. 4 is a left side elevational view thereof;
FIG. 5 is a right side elevational view thereof;
FIG. 6 is a top plan view thereof; and,
FIG. 7 is a bottom plan view thereof.
The broken lines of FIGS. 1-7 illustrate portions of the blender base that form no part of the claimed design.

See application file for complete search history.

1 Claim, 7 Drawing Sheets



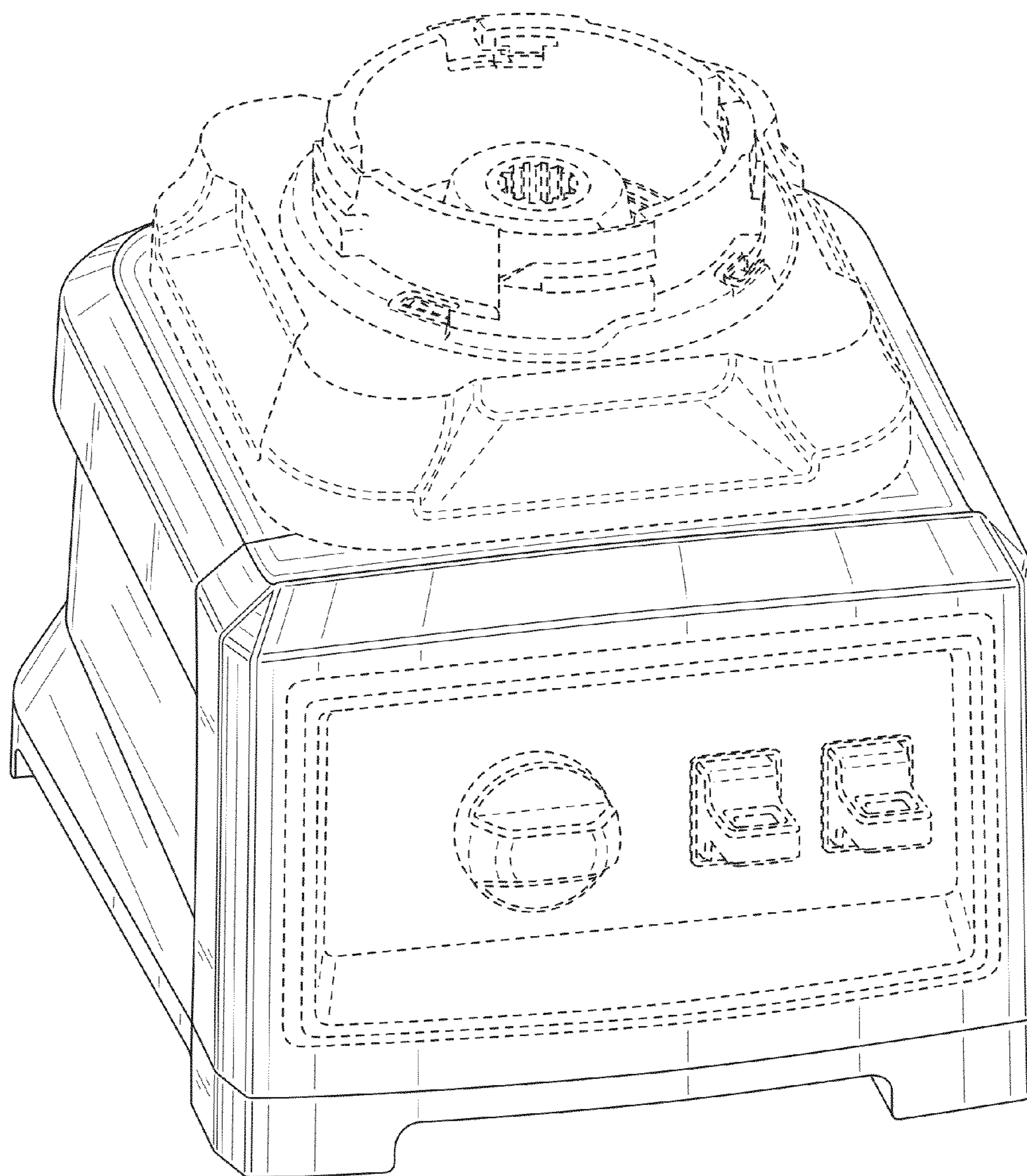


FIG. 1

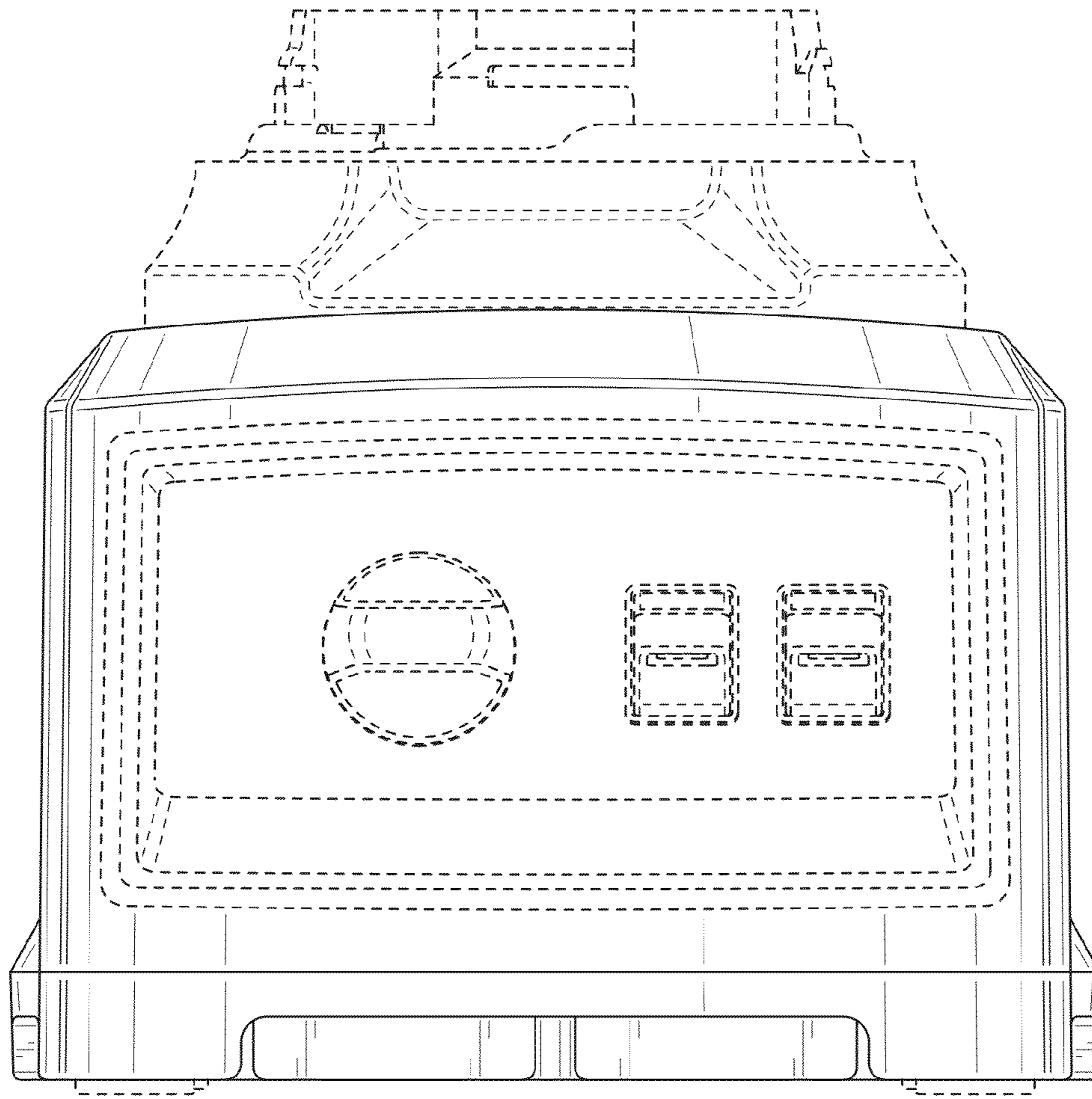


FIG. 2

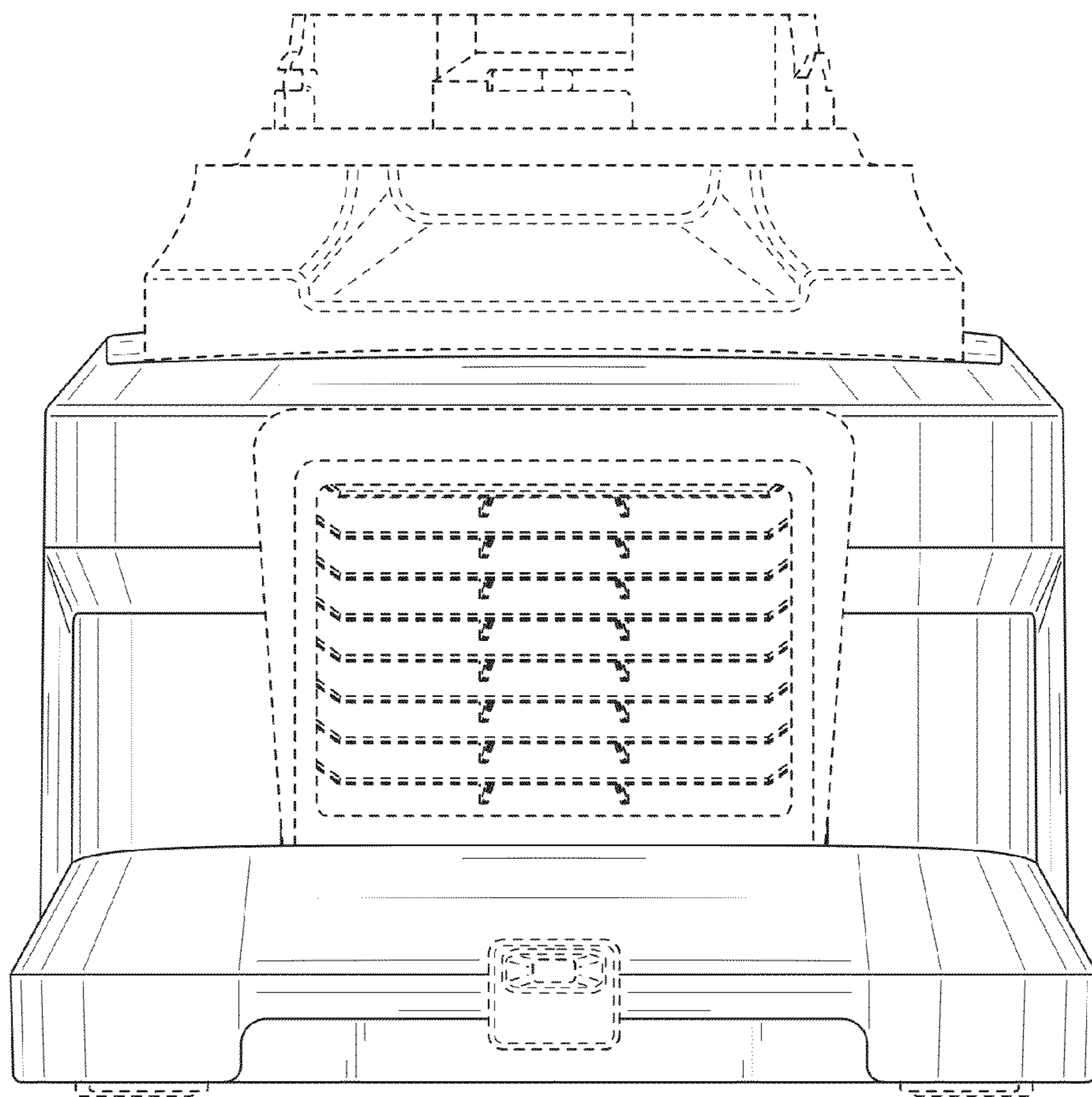


FIG. 3

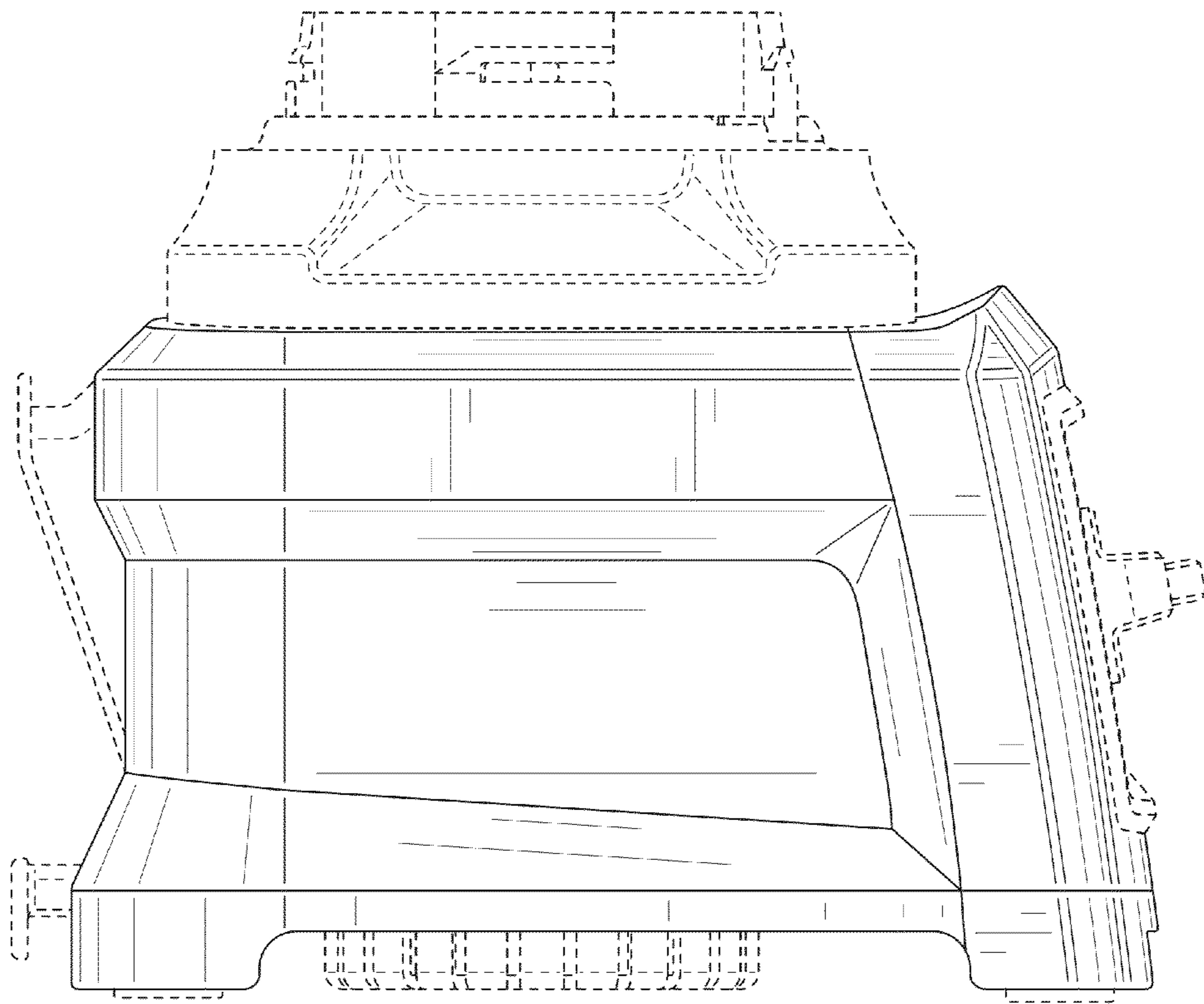


FIG. 4

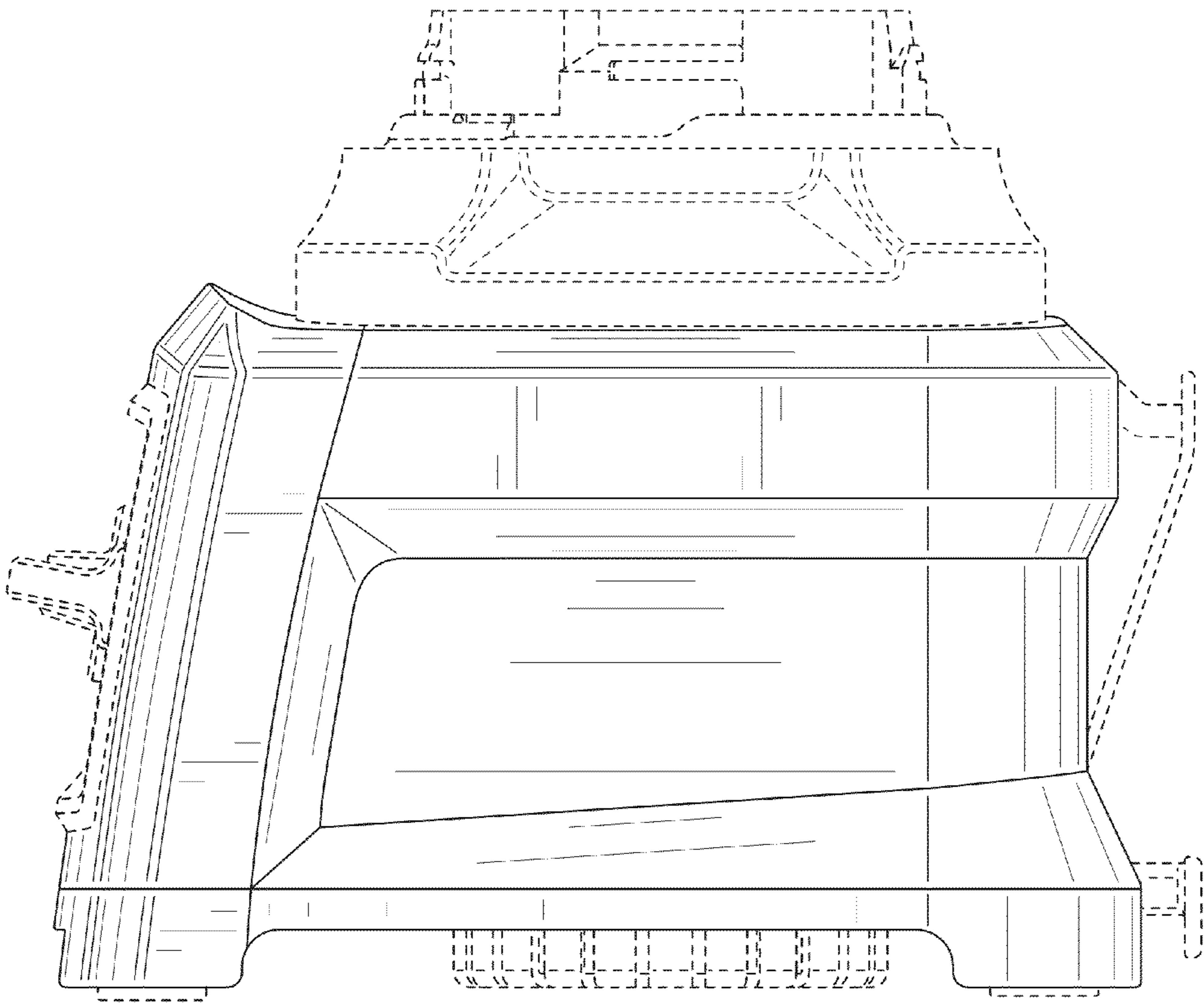


FIG. 5

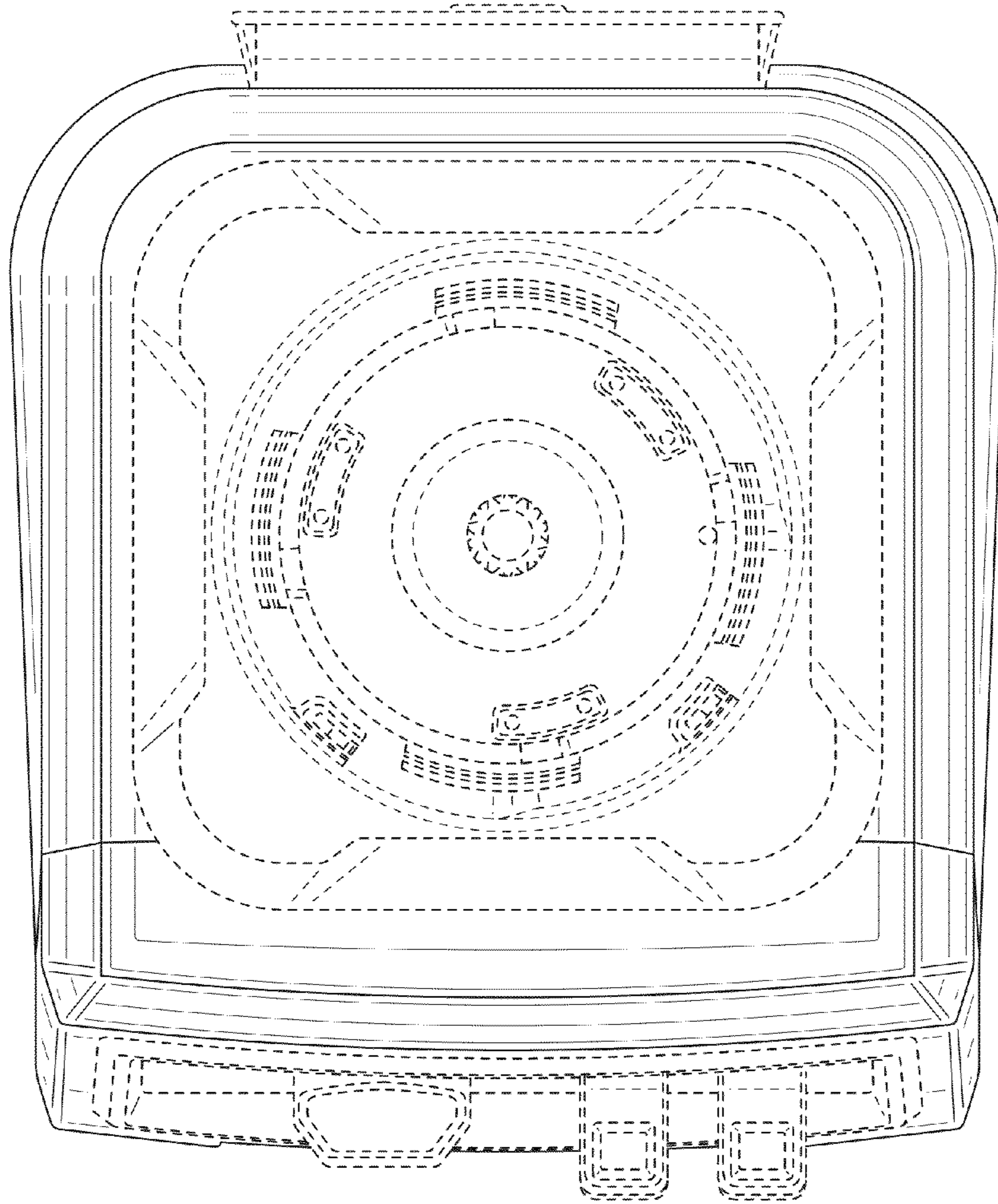


FIG. 6

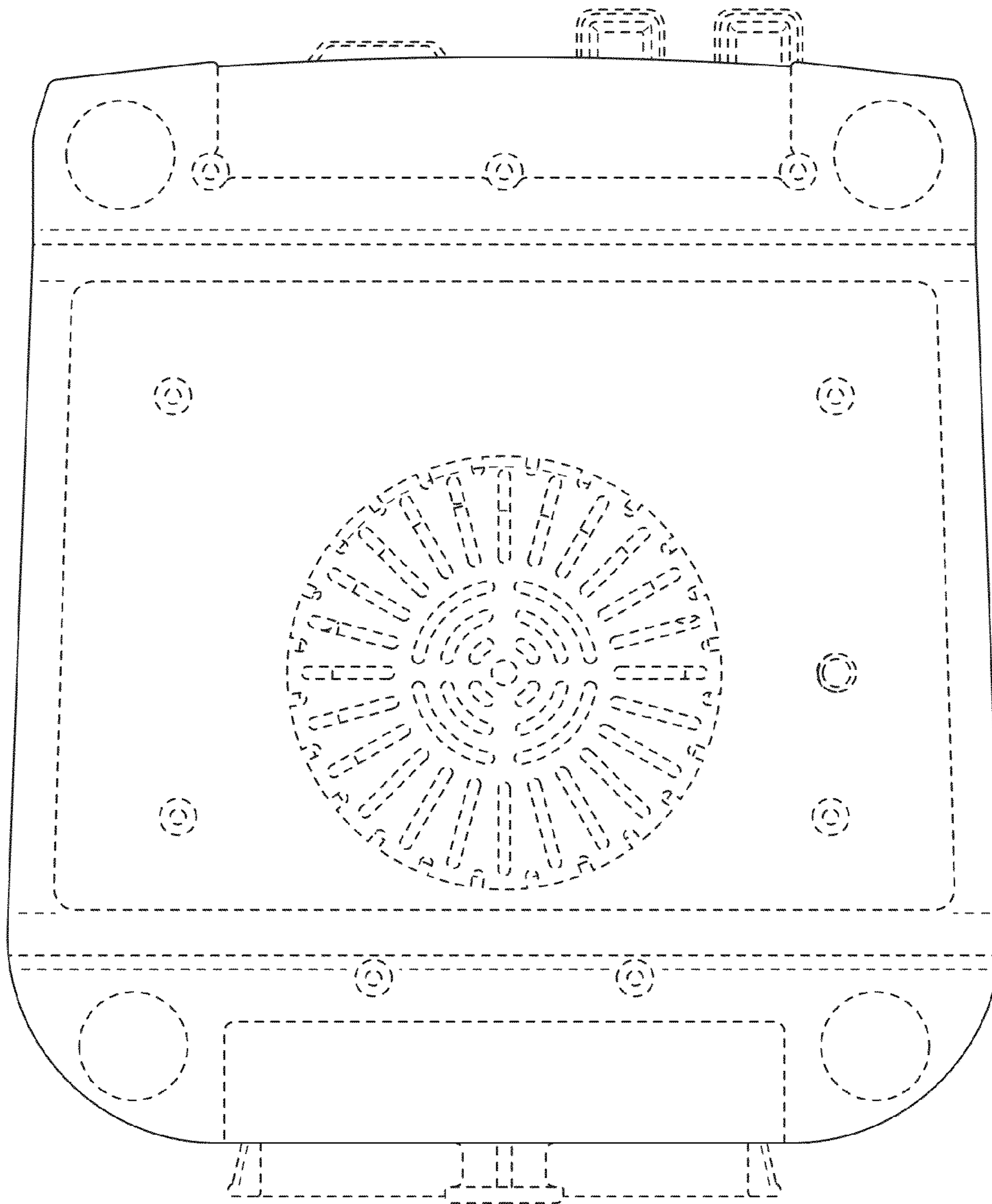


FIG. 7