



US00D702074S

(12) **United States Design Patent**  
**De'Longhi et al.**

(10) **Patent No.:** **US D702,074 S**

(45) **Date of Patent:** **\*\* Apr. 8, 2014**

(54) **TOASTER**

(71) Applicant: **De'Longhi Appliances S.R.L. Con Unico Socio**, Treviso (IT)

(72) Inventors: **Giuseppe De'Longhi**, Treviso (IT); **Roberto Leone**, Cordenons (IT)

(73) Assignee: **De' Longhi Appliances S.R.L. Con Unico Socio**, Treviso (IT)

(\*\*) Term: **14 Years**

(21) Appl. No.: **29/461,234**

(22) Filed: **Jul. 19, 2013**

(30) **Foreign Application Priority Data**

Jan. 21, 2013 (EM) ..... 2169755-0006

(51) **LOC (10) Cl.** ..... **07-02**

(52) **U.S. Cl.**  
USPC ..... **D7/330**

(58) **Field of Classification Search**

USPC ..... D7/306, 323, 328-331, 337, 339,  
D7/346-347, 350.1-350.4, 352-367, 391,  
D7/393, 395, 402, 409, 538, 542, 674;  
99/324-327, 329 P, 331-332, 337-349,  
99/358, 369-376, 380-391, 400-418, 422,  
99/425, 444-446, 483; 126/37 R, 261,  
126/378.1; 219/385-388, 400, 405,  
219/429-442, 450.1, 452.13, 620-624, 725,  
219/730-735; 220/23.8, 315, 573.1-573.5,  
220/912; 426/233, 438, 441, 523

See application file for complete search history.

(56) **References Cited**

U.S. PATENT DOCUMENTS

D338,368 S *	8/1993	Naft et al. ....	D7/330
D502,629 S *	3/2005	Guyett et al. ....	D7/330
D509,702 S *	9/2005	Picozza et al. ....	D7/330
D510,676 S *	10/2005	Picozza et al. ....	D7/330
D527,568 S *	9/2006	Page et al. ....	D7/330
D569,166 S *	5/2008	Borin .....	D7/330
D569,167 S *	5/2008	Borin .....	D7/330
D593,358 S *	6/2009	Kim et al. ....	D7/330
D598,697 S *	8/2009	De Pra' .....	D7/330
D640,894 S *	7/2011	Duncan et al. ....	D7/330
D686,865 S *	7/2013	De'Longhi .....	D7/330
D686,866 S *	7/2013	De'Longhi .....	D7/330
D688,509 S *	8/2013	Carlson .....	D7/330

\* cited by examiner

*Primary Examiner* — Ricky Pham

(74) *Attorney, Agent, or Firm* — Maier & Maier, PLLC

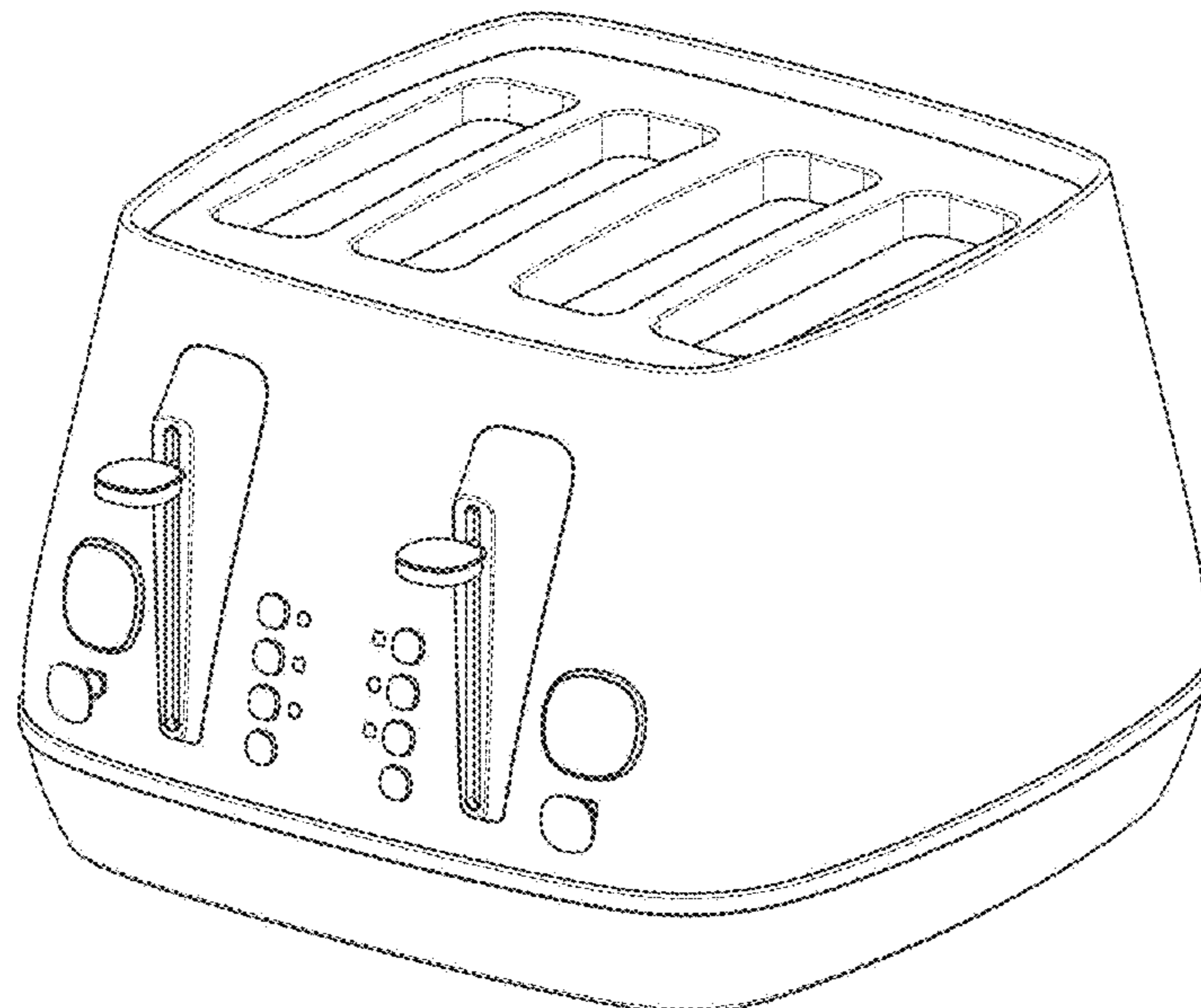
(57) **CLAIM**

The ornamental design for a toaster, as shown and described.

**DESCRIPTION**

FIG. 1 is a front isometric view of a toaster, showing our design;  
FIG. 2 is a front view thereof;  
FIG. 3 is a rear view thereof;  
FIG. 4 is a left side view thereof;  
FIG. 5 is a right side view thereof;  
FIG. 6 is a top view thereof; and,  
FIG. 7 is a bottom view thereof.

**1 Claim, 5 Drawing Sheets**



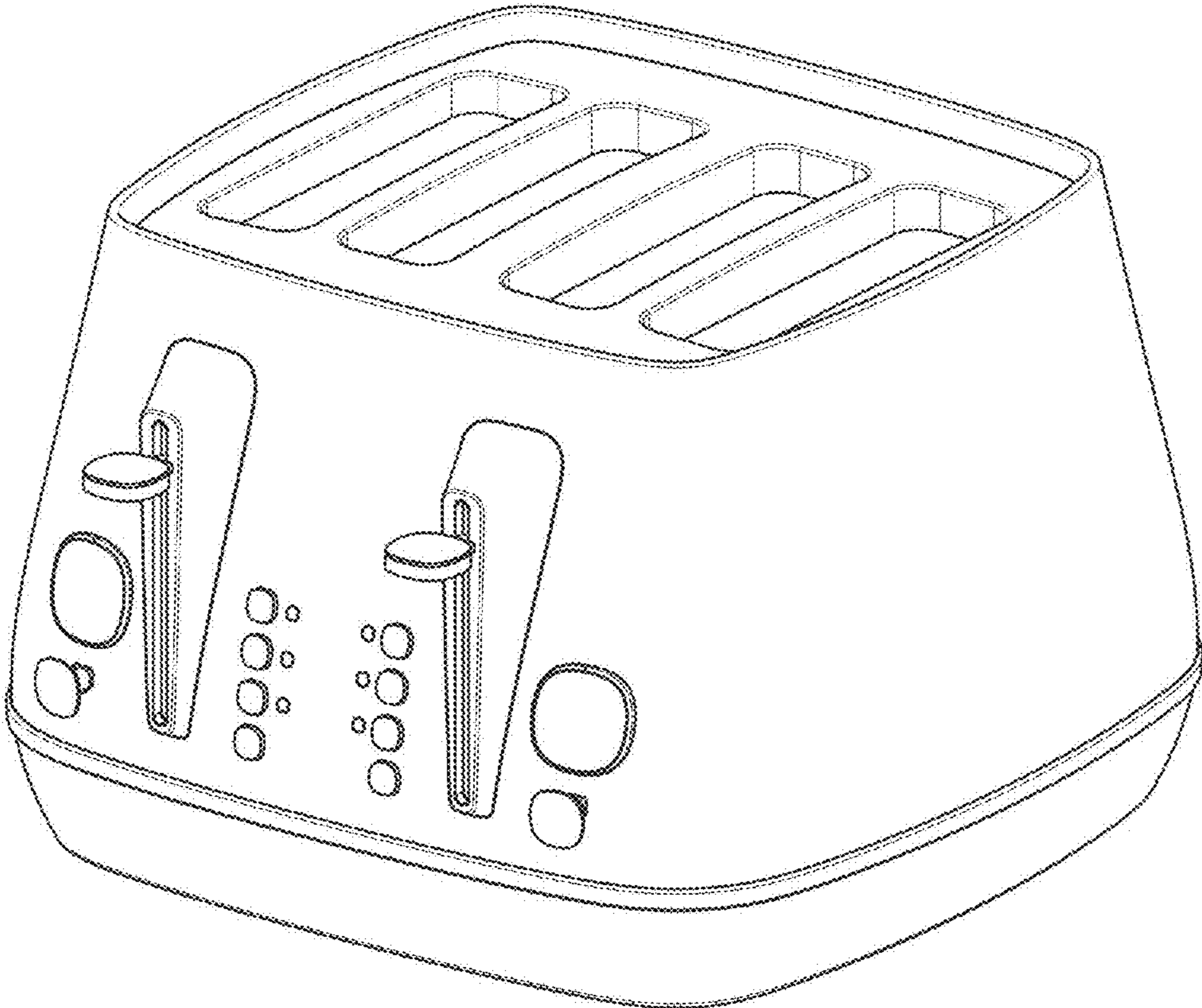


Fig. 1

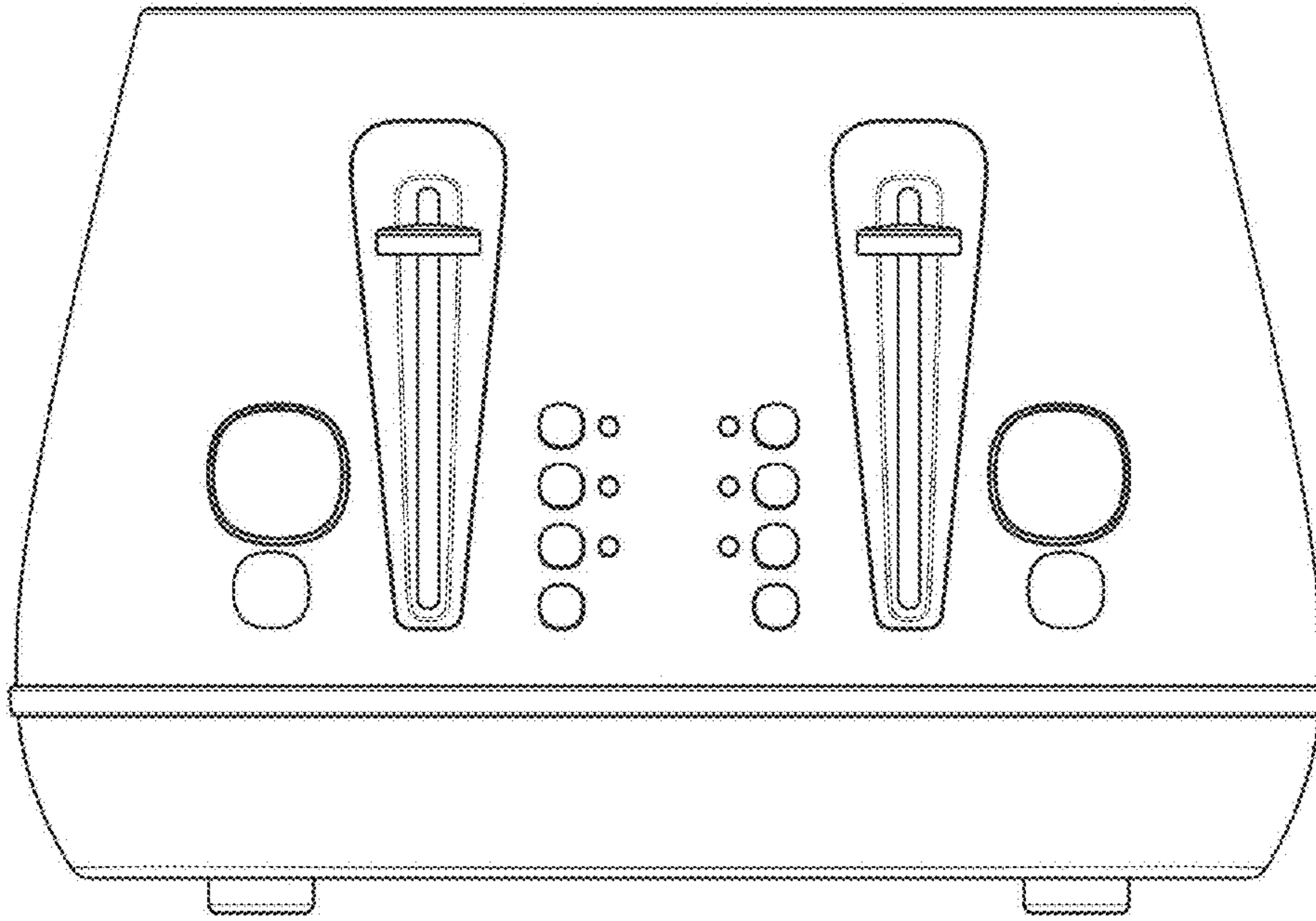


Fig. 2

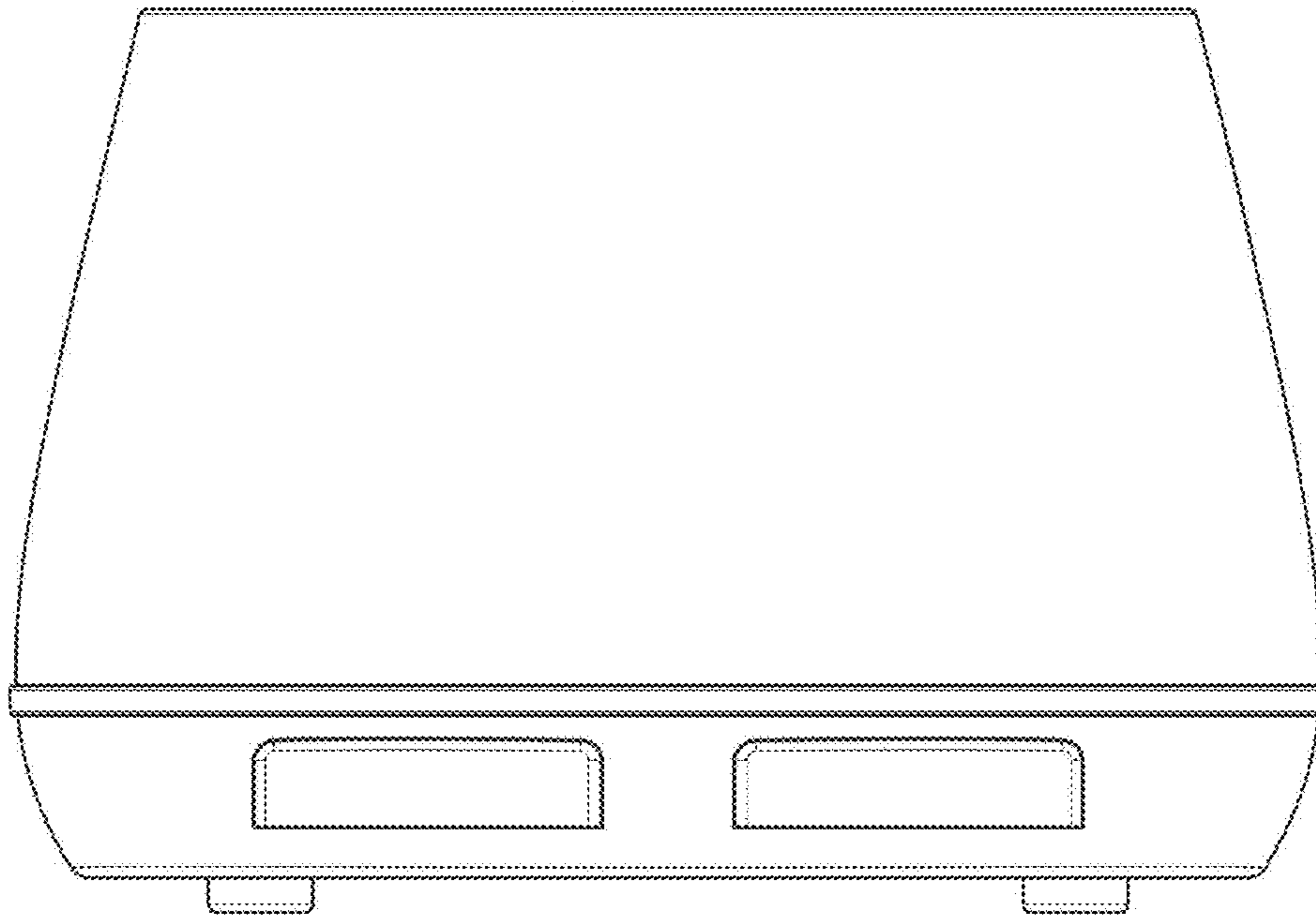
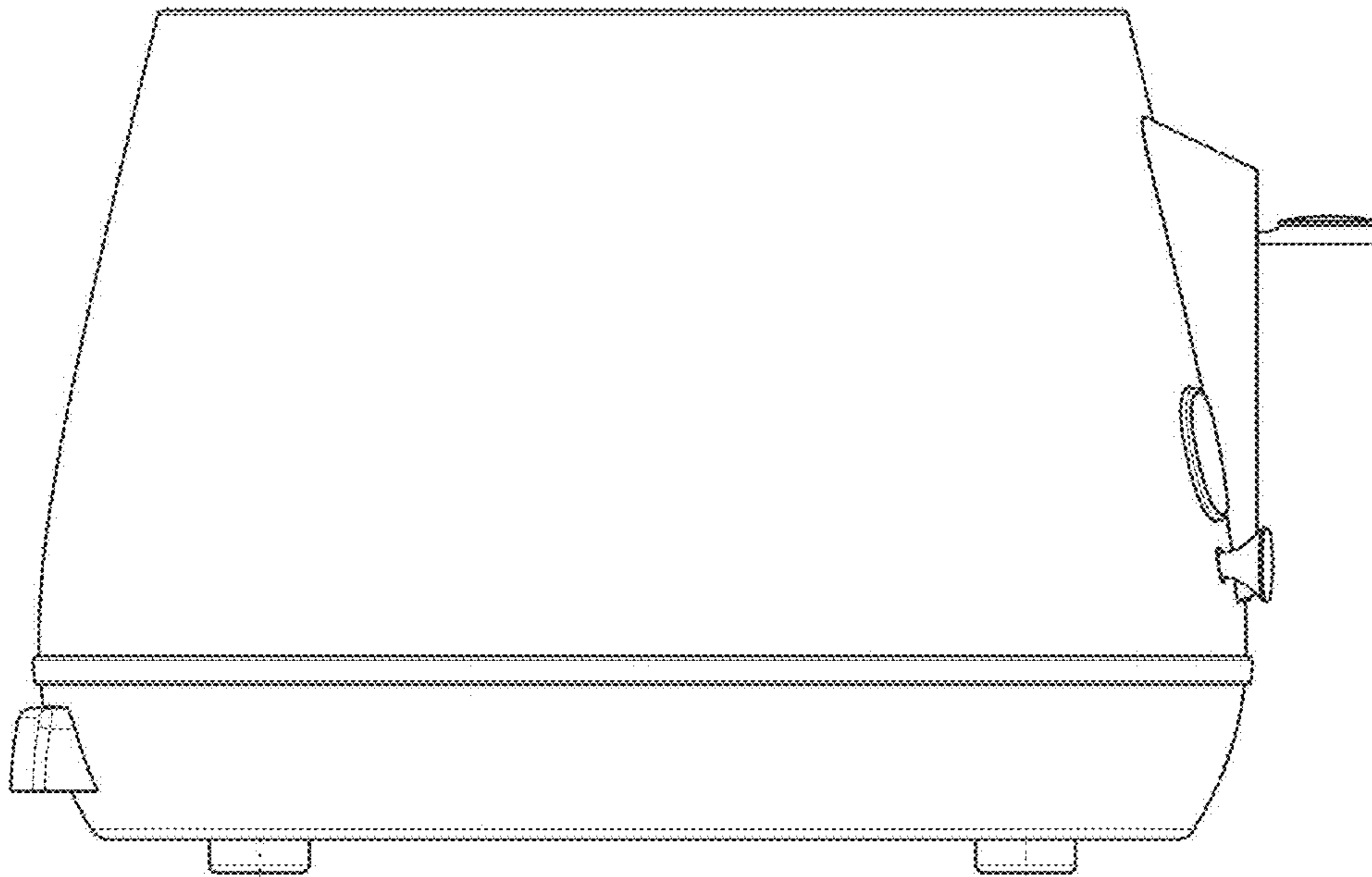
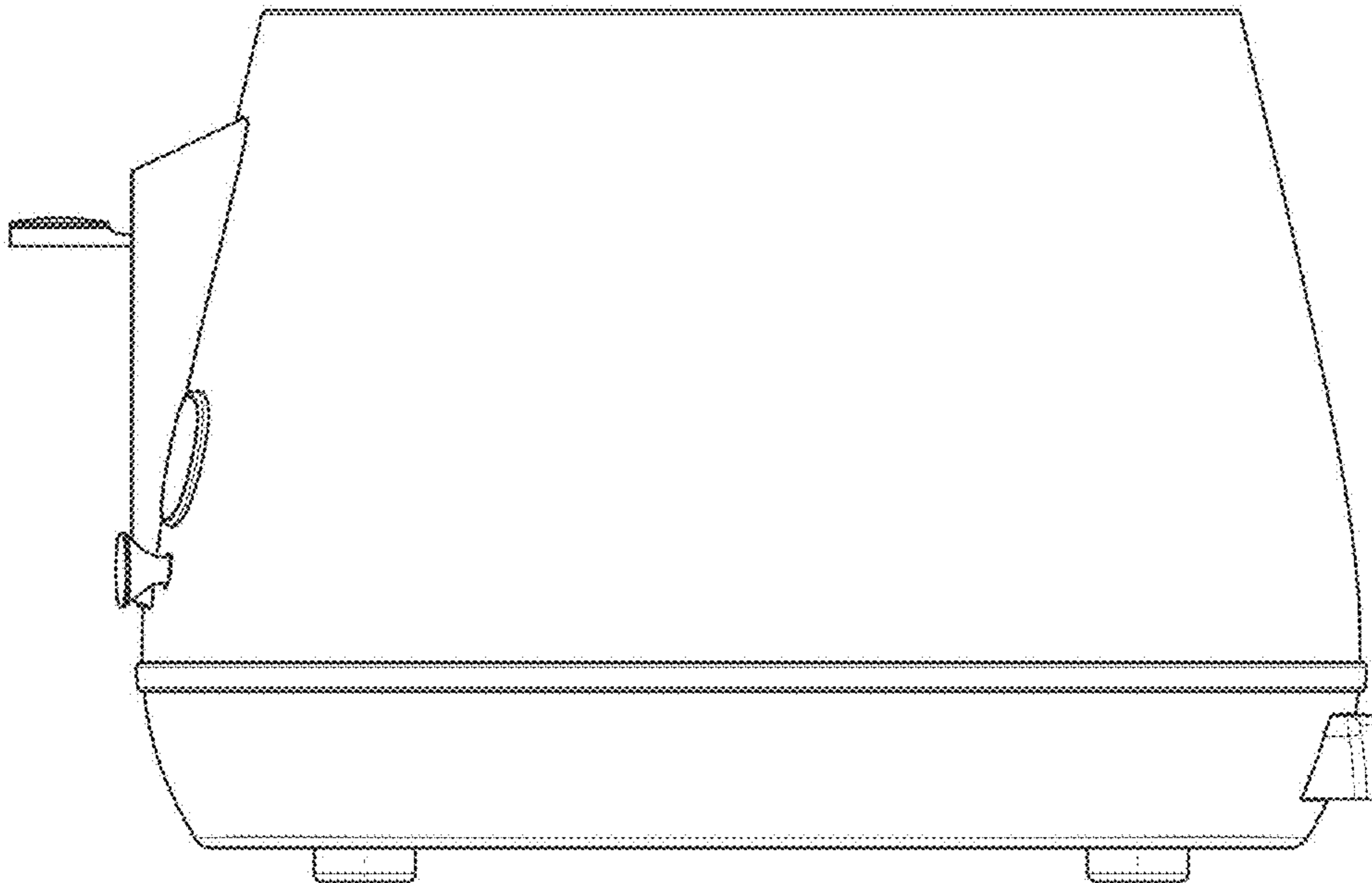


Fig. 3



*Fig. 4*



*Fig. 5*

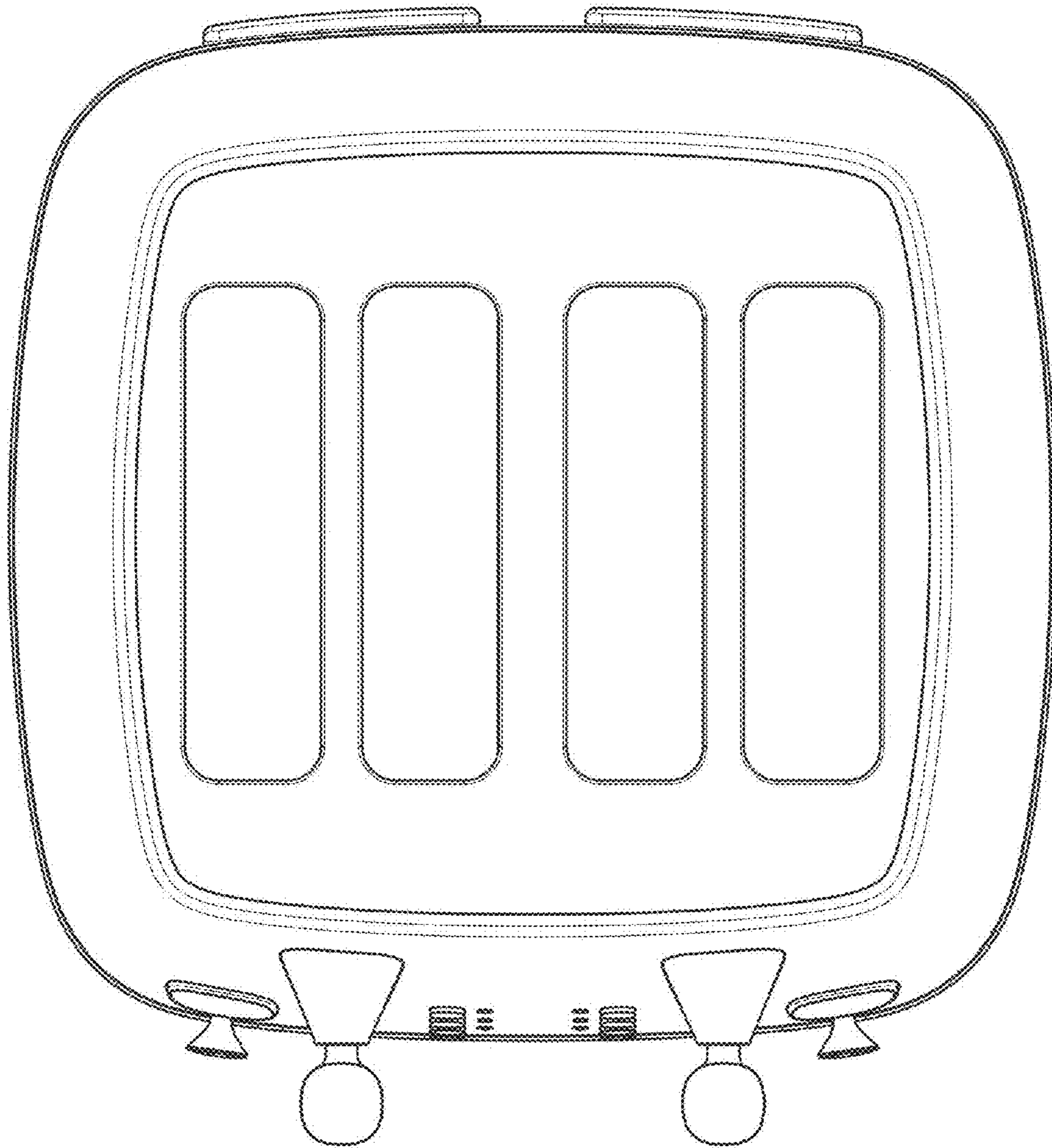
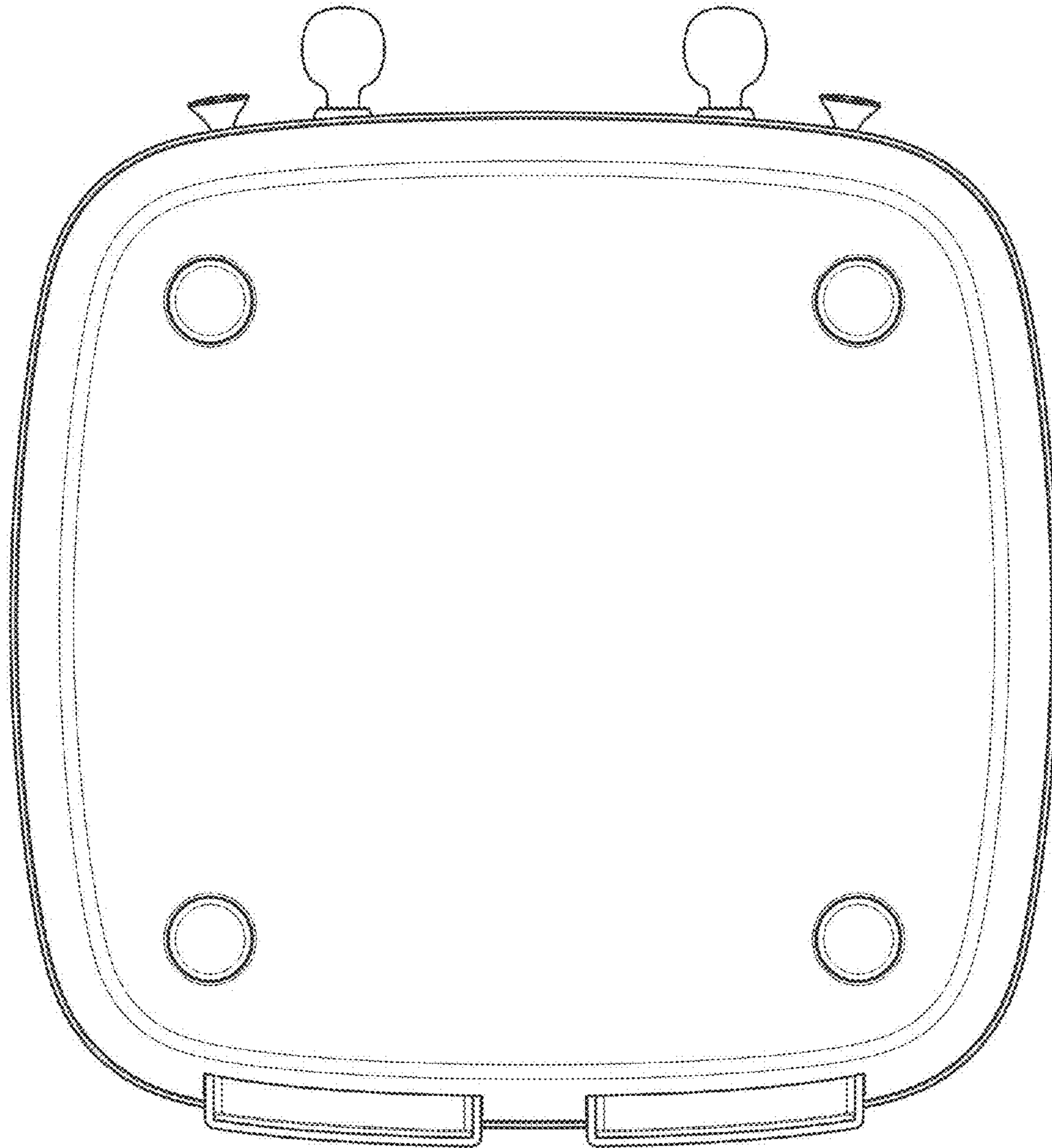


Fig. 6



*Fig. 7*