



US00D702073S

(12) **United States Design Patent**
Miller

(10) **Patent No.:** **US D702,073 S**
(45) **Date of Patent:** **** Apr. 8, 2014**

(54) **BEDRAIL FOR MOBILITY ASSISTANCE**

DESCRIPTION

- (71) Applicant: **Stander Inc.**, Logan, UT (US)
- (72) Inventor: **F. Troy Miller**, Logan, UT (US)
- (73) Assignee: **Stander, Inc.**, Logan, UT (US)
- (**) Term: **14 Years**
- (21) Appl. No.: **29/434,602**
- (22) Filed: **Oct. 15, 2012**
- (51) **LOC (10) Cl.** **06-06**
- (52) **U.S. Cl.**
USPC **D6/718.3**
- (58) **Field of Classification Search**
USPC D6/382, 392, 718, 718.3; 5/600, 658,
5/424-426, 428, 429, 662
See application file for complete search history.

(56) **References Cited**

U.S. PATENT DOCUMENTS

1,862,237 A	9/1932	Pepler	
2,612,422 A	9/1952	Sarkas	
4,724,559 A	2/1988	Bly et al.	
D308,779 S *	6/1990	Foster	D6/491
4,932,090 A	6/1990	Johansson	
5,337,430 A	8/1994	Schlein	
5,359,741 A	11/1994	Lang	
5,400,450 A	3/1995	Leoutsakos	
5,448,791 A	9/1995	Brown	
5,507,044 A	4/1996	Williamson et al.	
5,586,352 A	12/1996	O'Brien et al.	
5,671,490 A	9/1997	Wu	
5,781,945 A	7/1998	Scherer et al.	
5,787,530 A	8/1998	Brix	

(Continued)

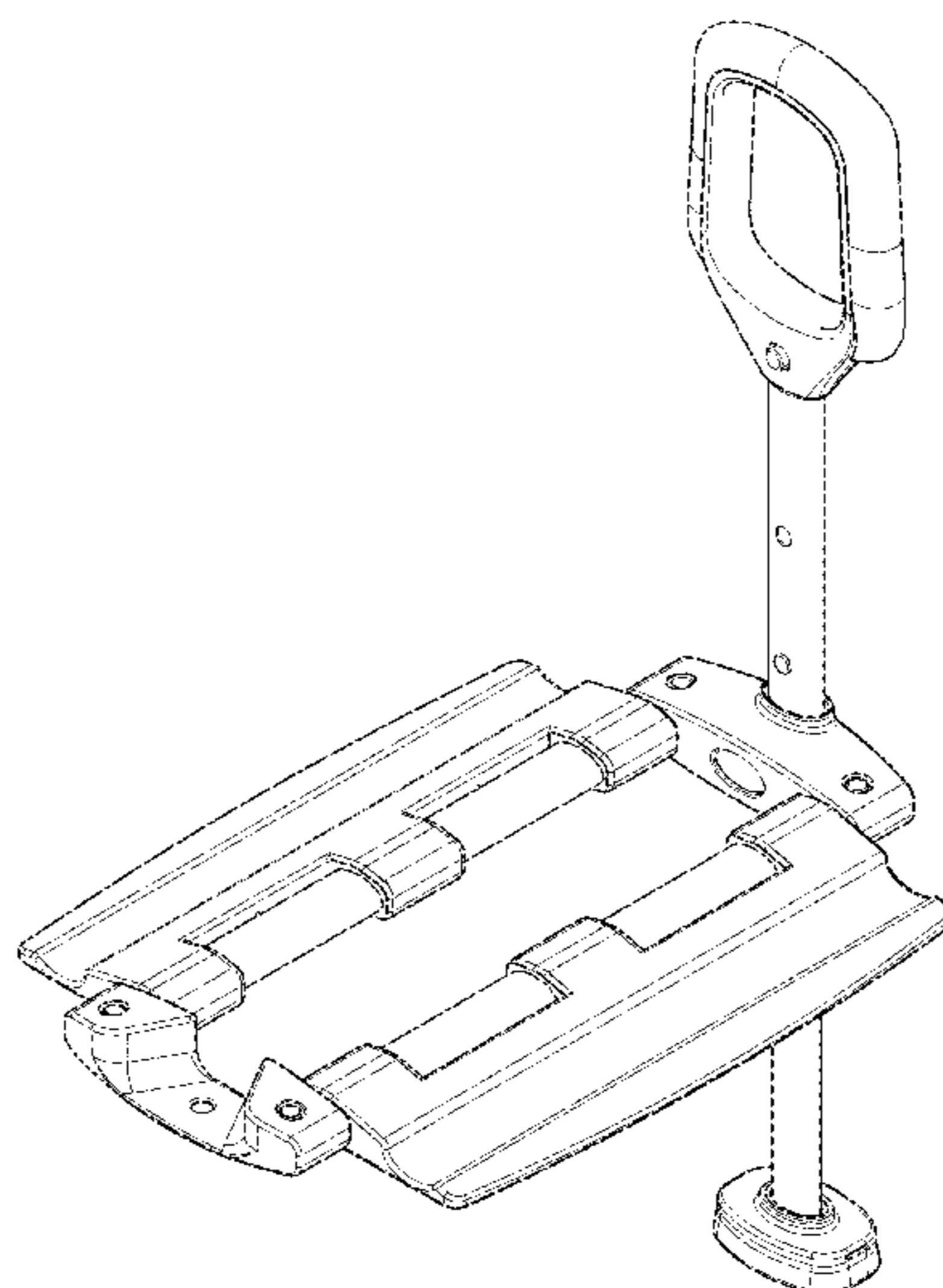
Primary Examiner — Janice Seeger
(74) *Attorney, Agent, or Firm* — Stoel Rives LLP

(57) **CLAIM**

The ornamental design for a bedrail for mobility assistance, as shown and described.

FIG. 1 is a first perspective view of a bedrail for mobility assistance.
 FIG. 2 is a second perspective view of the bedrail for mobility assistance of FIG. 1.
 FIG. 3 is a front view of the bedrail for mobility assistance of FIG. 1.
 FIG. 4 is a right side view of the bedrail for mobility assistance of FIG. 1.
 FIG. 5 is a rear view of the bedrail for mobility assistance of FIG. 1.
 FIG. 6 is a left side view of the bedrail for mobility assistance of FIG. 1.
 FIG. 7 is a top view of the bedrail for mobility assistance of FIG. 1.
 FIG. 8 is a bottom view of the bedrail for mobility assistance of FIG. 1.
 FIG. 9 is a perspective view showing the bedrail in folded and closed condition.
 FIG. 10 is a second perspective view of the bedrail for mobility assistance of FIG. 9.
 FIG. 11 is a front view of the bedrail for mobility assistance of FIG. 9.
 FIG. 12 is a right side view of the bedrail for mobility assistance of FIG. 9.
 FIG. 13 is a rear view of the bedrail for mobility assistance of FIG. 9.
 FIG. 14 is a left side view of the bedrail for mobility assistance of FIG. 9.
 FIG. 15 is a bottom view of the bedrail for mobility assistance of FIG. 9.
 FIG. 16 is a top view of the bedrail for mobility assistance of FIG. 9.
 FIG. 17 is a perspective view showing the bedrail in exploded condition; and,
 FIG. 18 is a perspective view showing the bedrail in a folded and exploded condition.

1 Claim, 15 Drawing Sheets



(56)

References Cited

U.S. PATENT DOCUMENTS

5,806,548 A 9/1998 Goldstein et al.
6,134,731 A 10/2000 Thom et al.
6,138,301 A 10/2000 Battiston
6,240,583 B1 6/2001 Brooke et al.

6,311,942 B1 11/2001 Rotter et al.
6,401,280 B1 6/2002 Baker
6,519,794 B1 2/2003 Aarestad et al.
7,032,265 B2* 4/2006 Miller 5/662
7,472,445 B2 1/2009 Miller

* cited by examiner

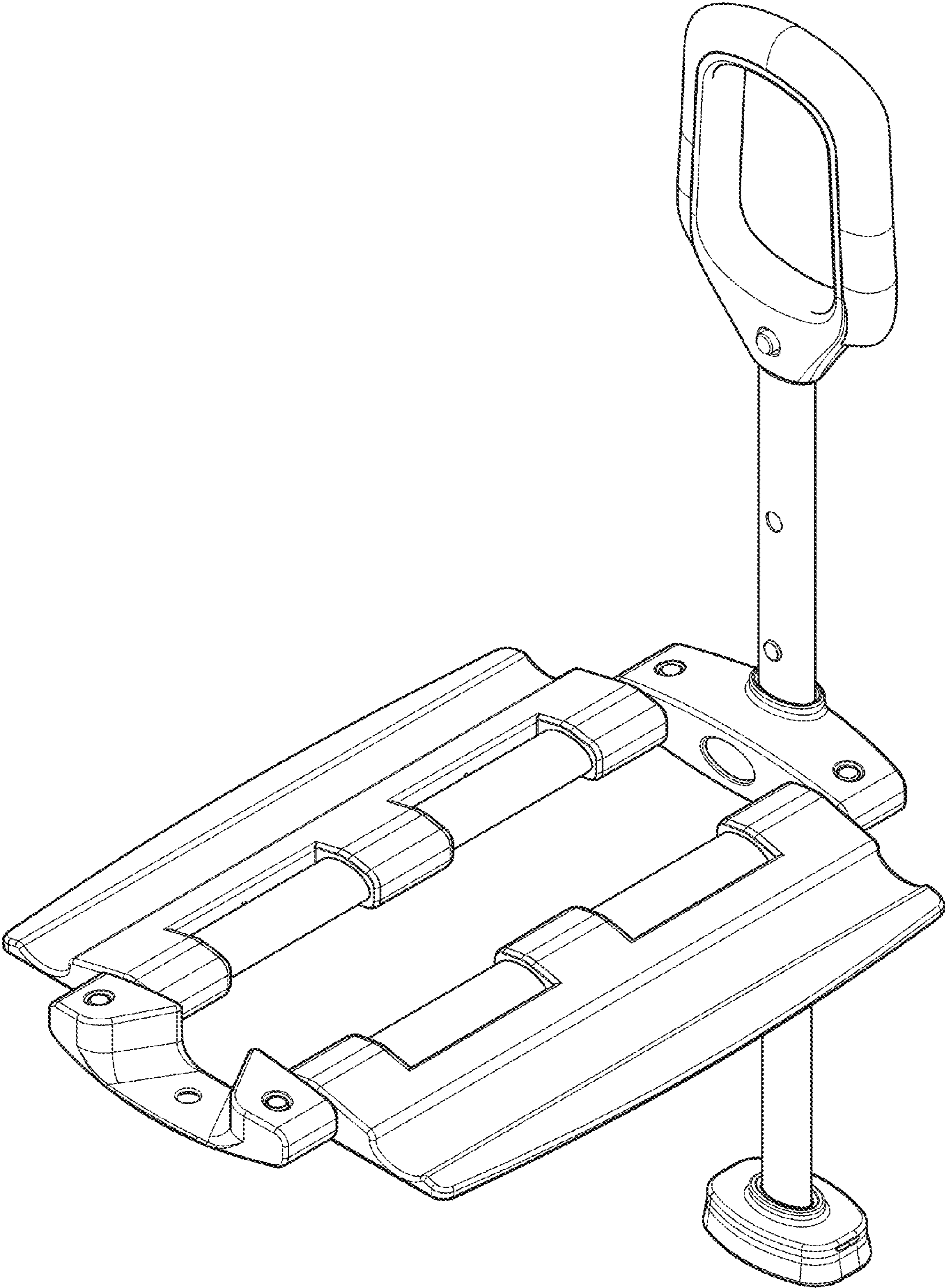


FIG. 1

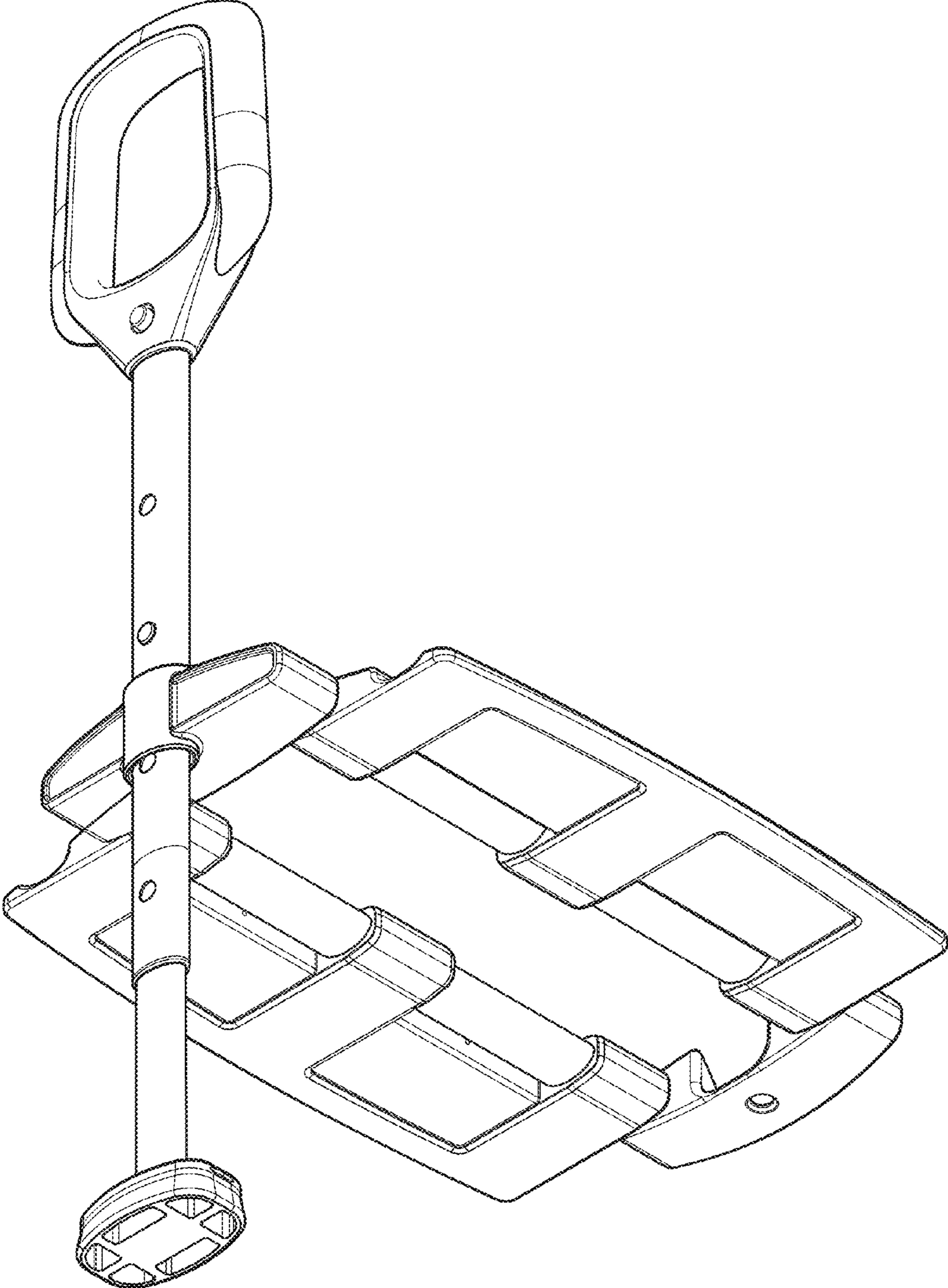


FIG. 2

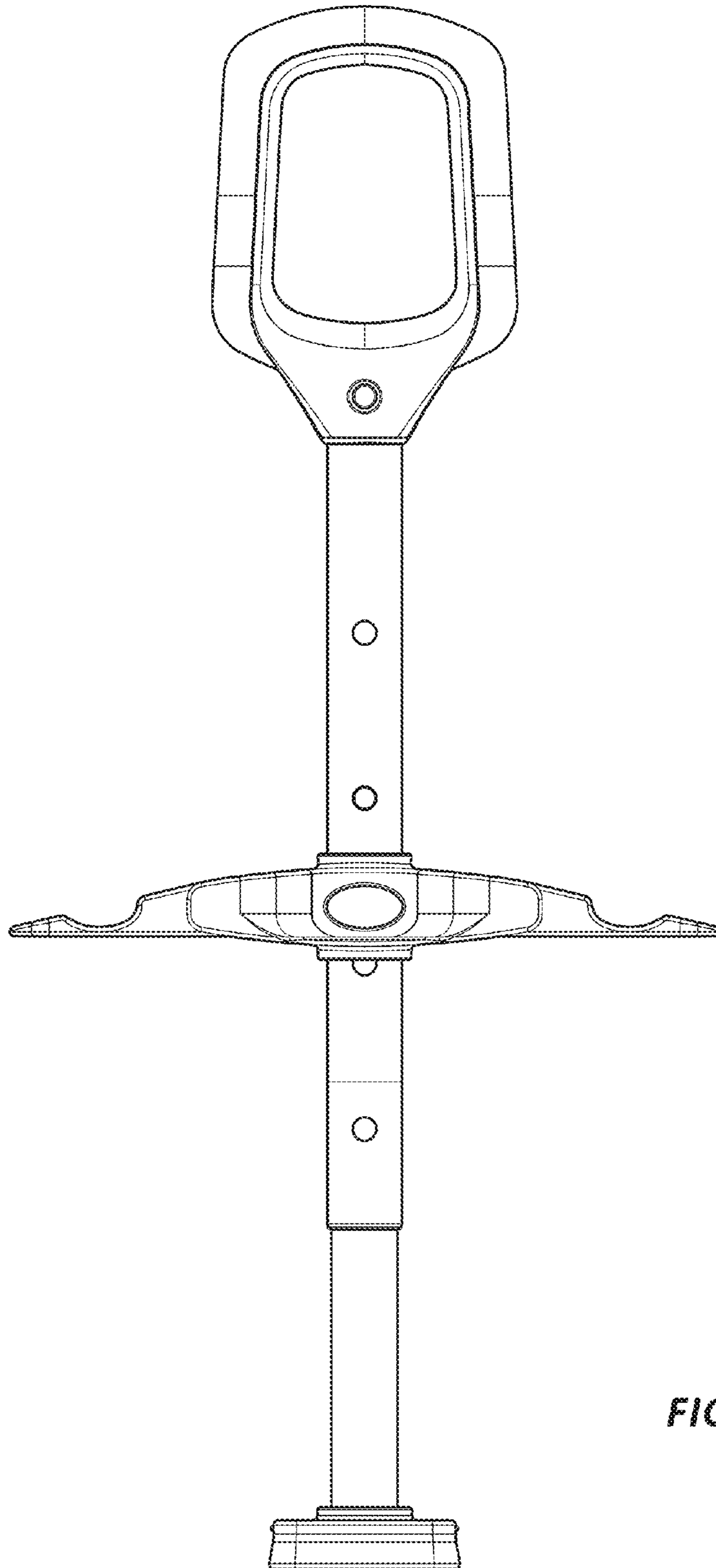


FIG. 3

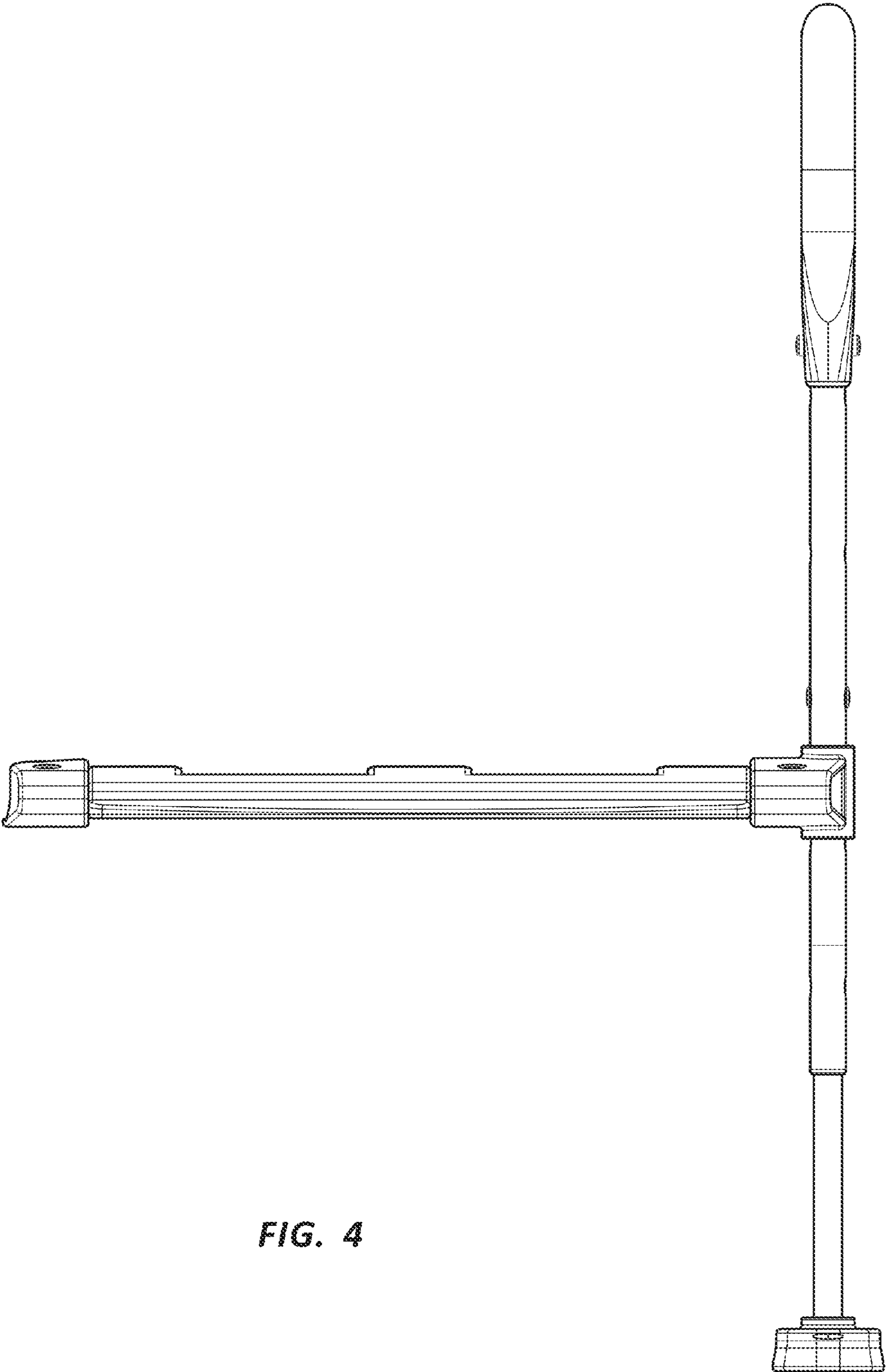


FIG. 4

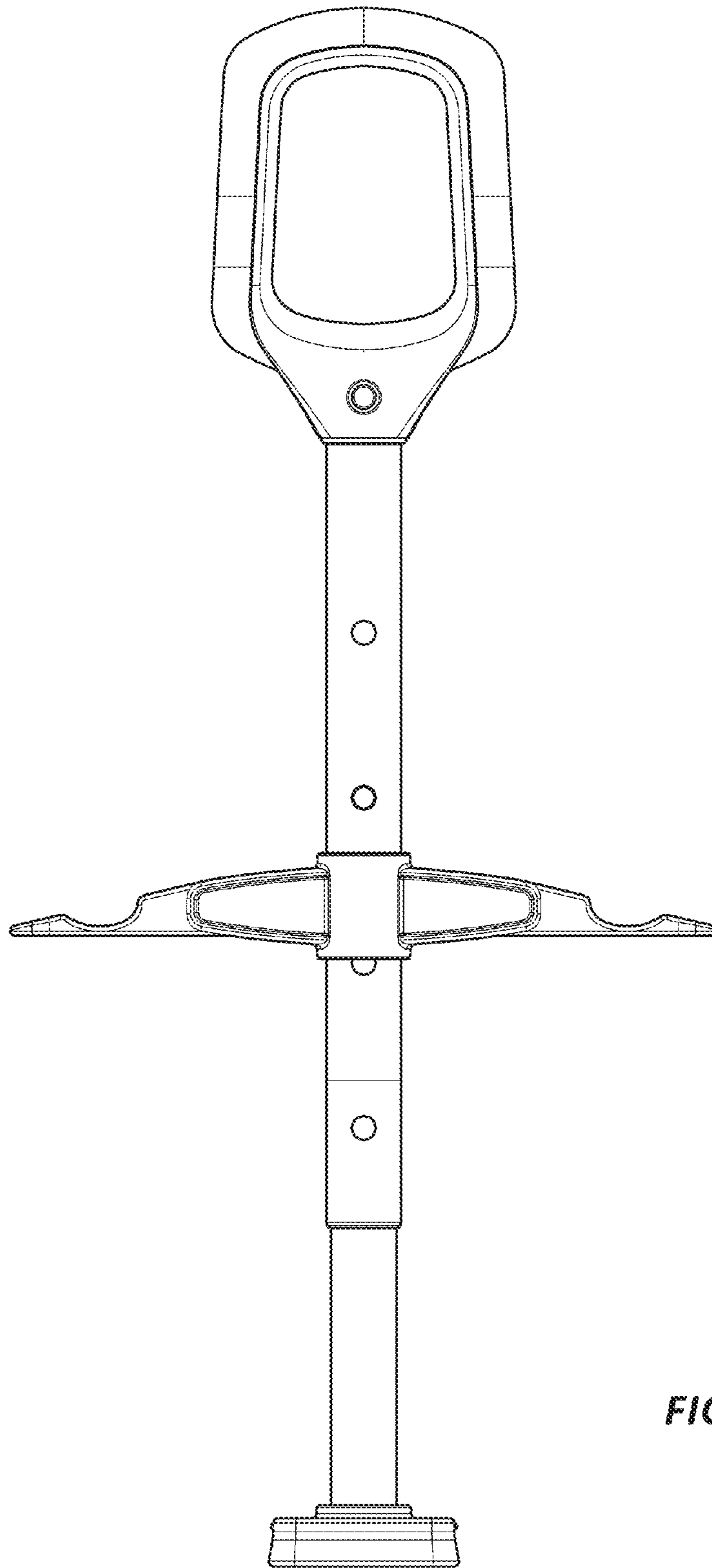


FIG. 5

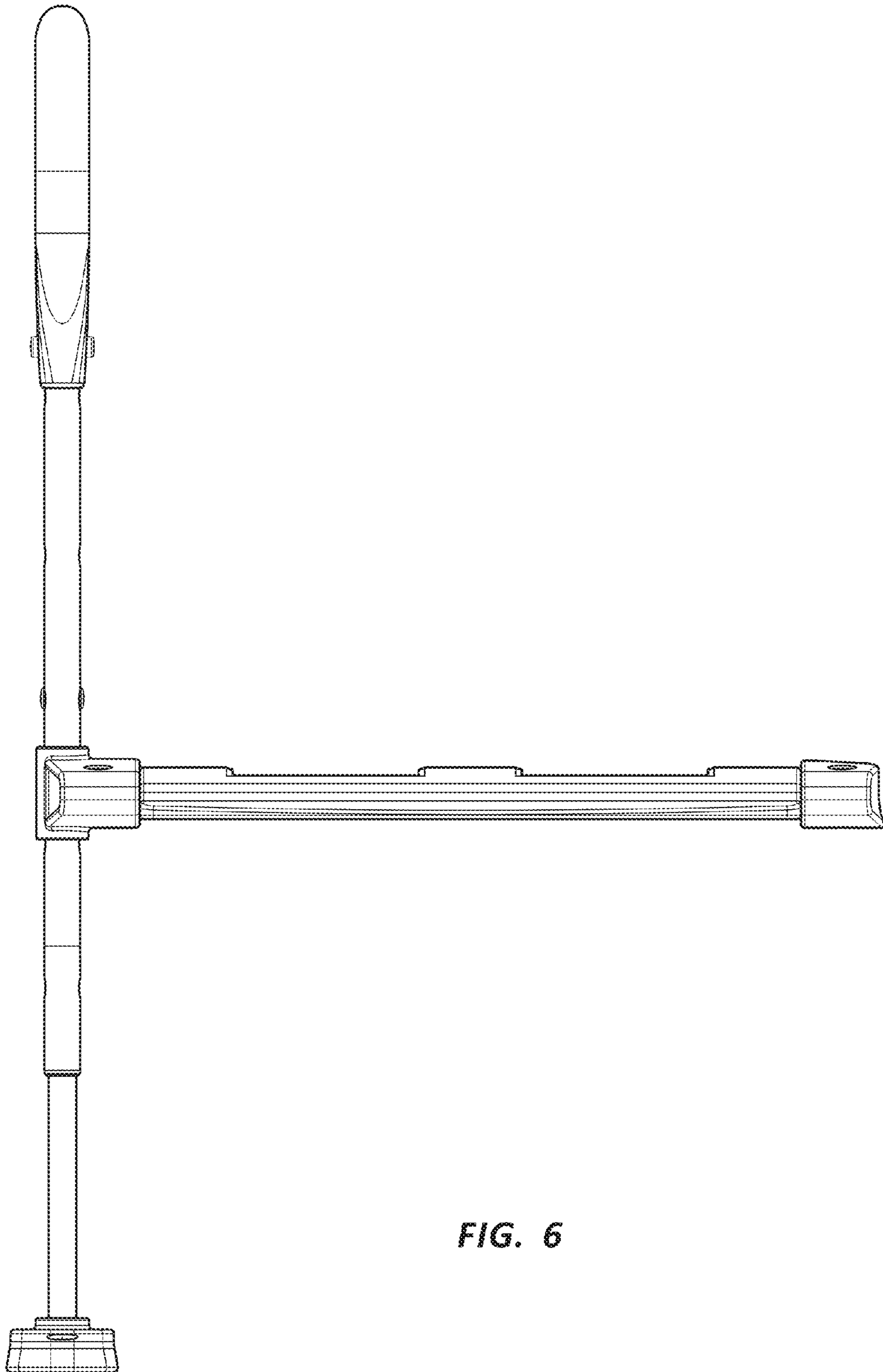


FIG. 6

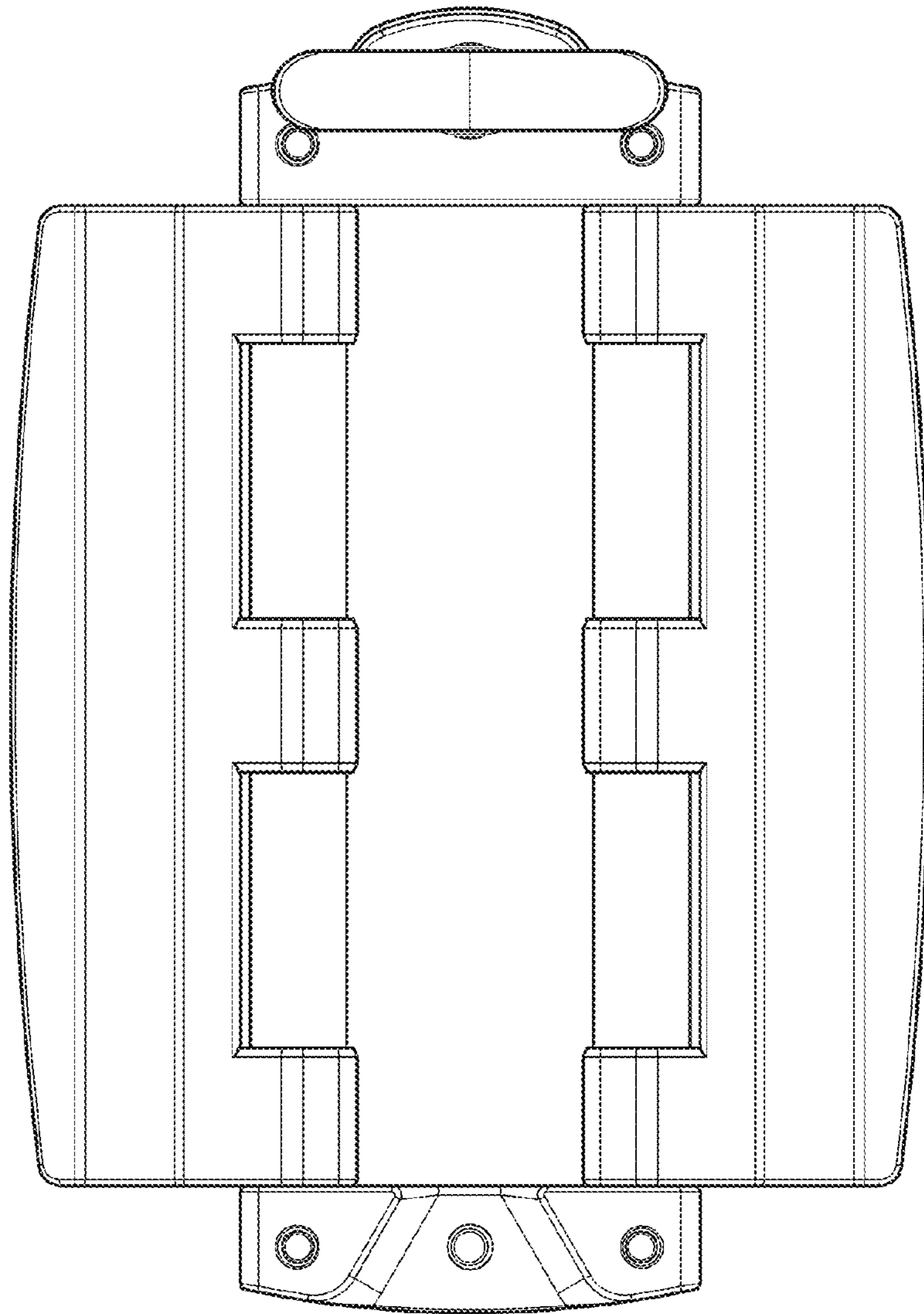


FIG. 7

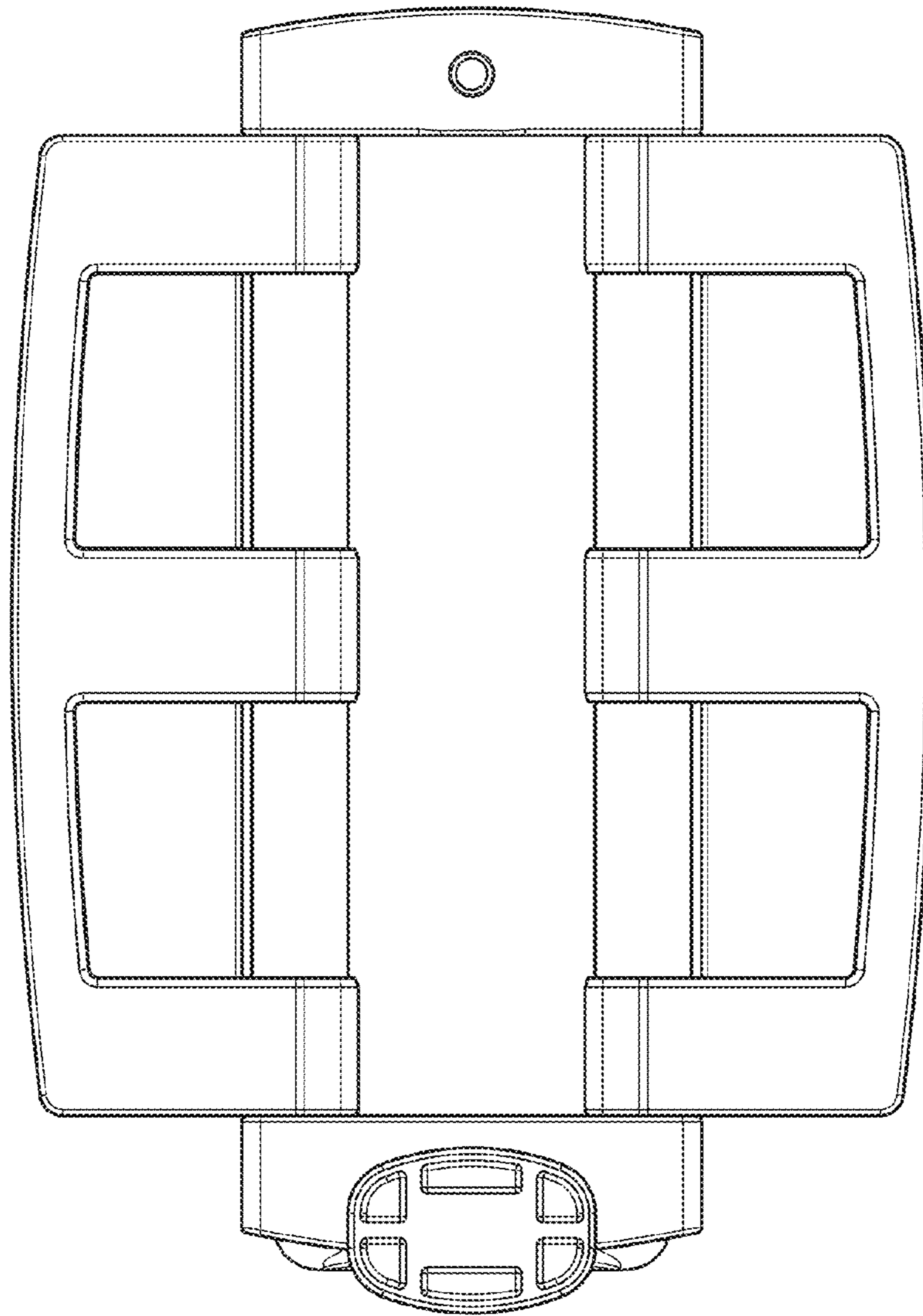


FIG. 8

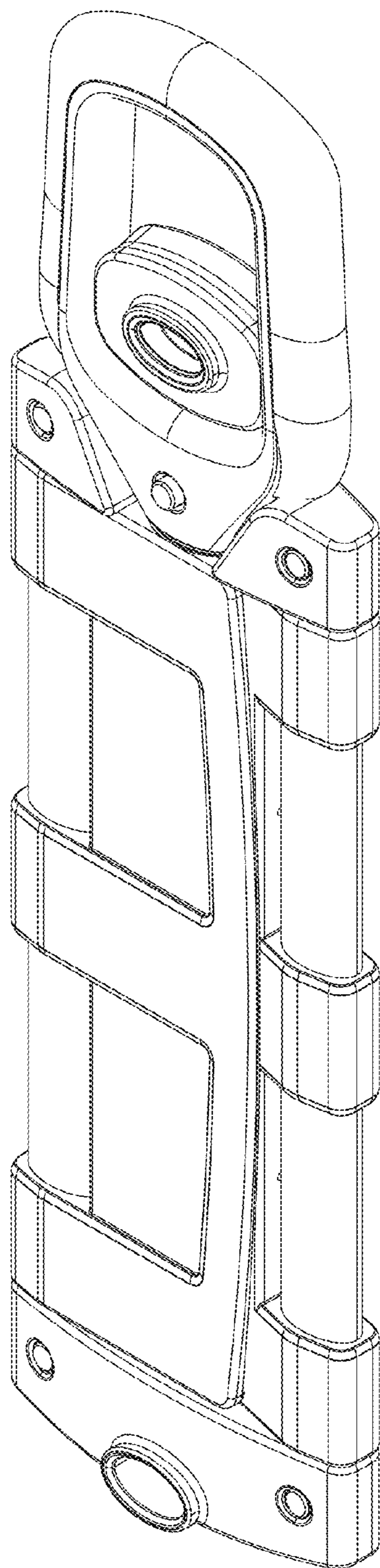


FIG. 9

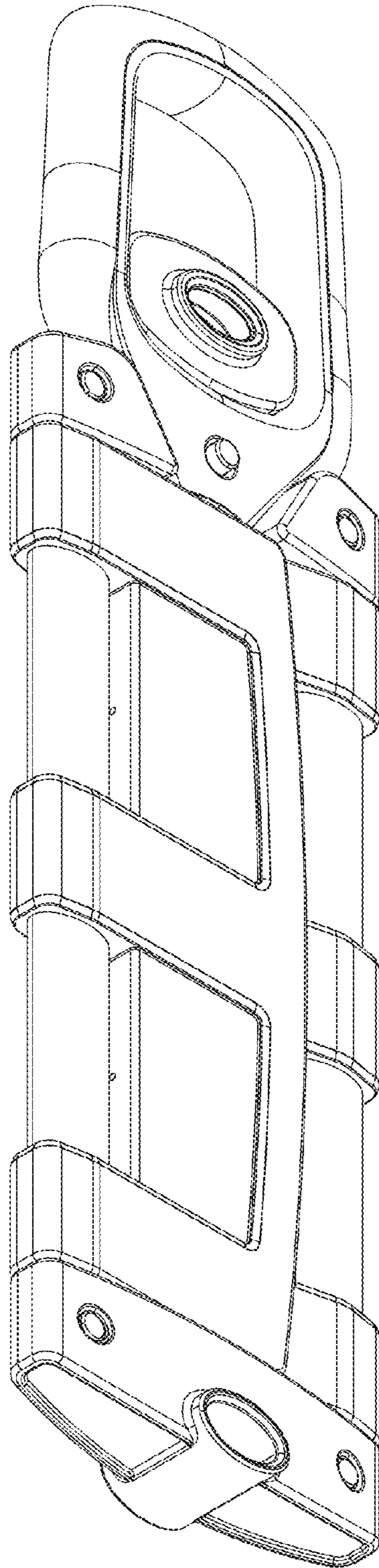


FIG. 10

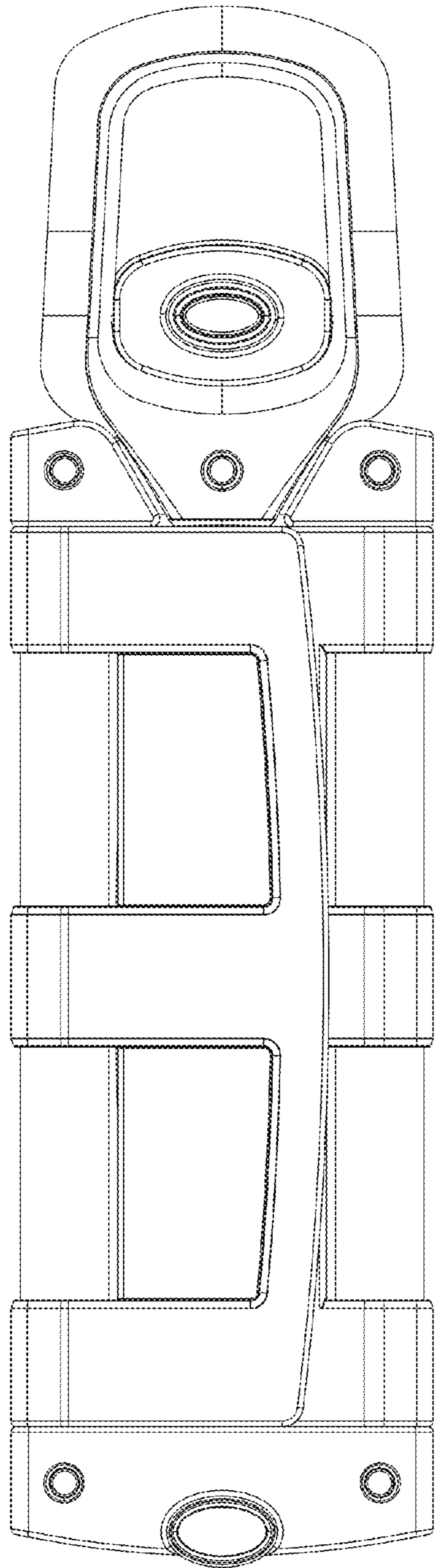


FIG. 11

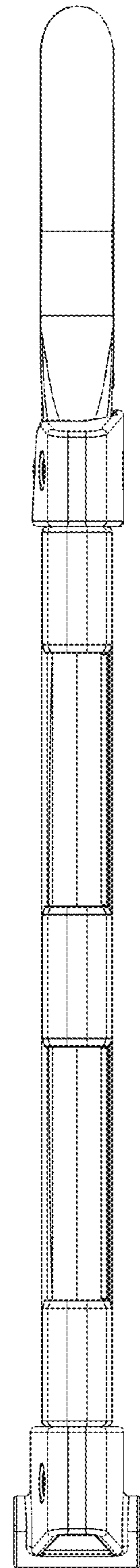


FIG. 12

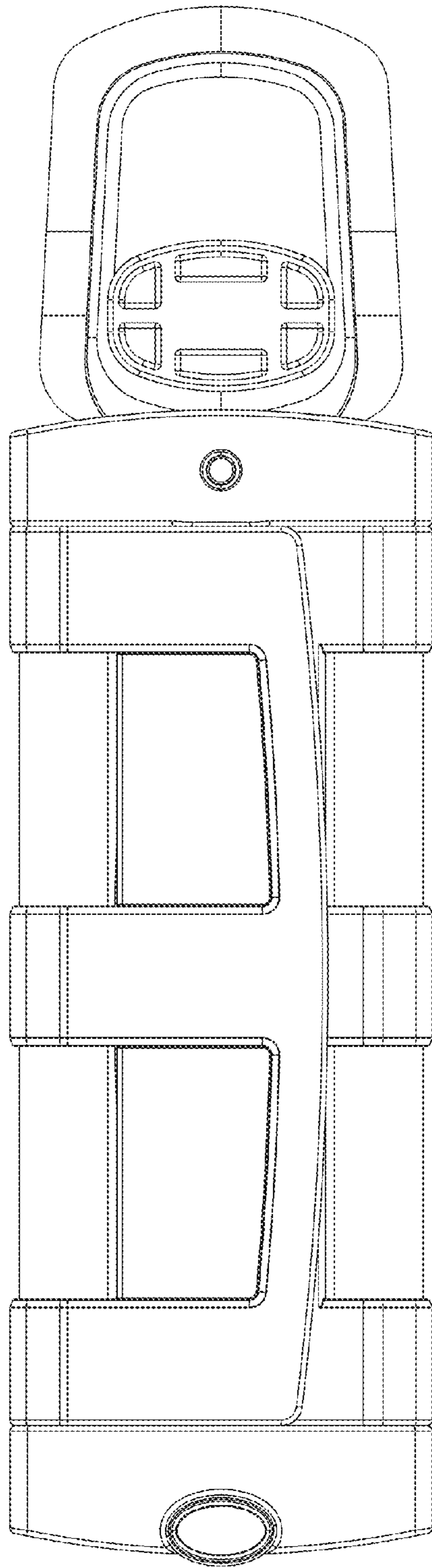


FIG. 13

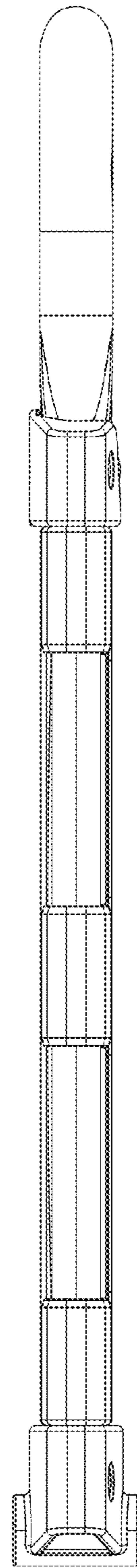


FIG. 14

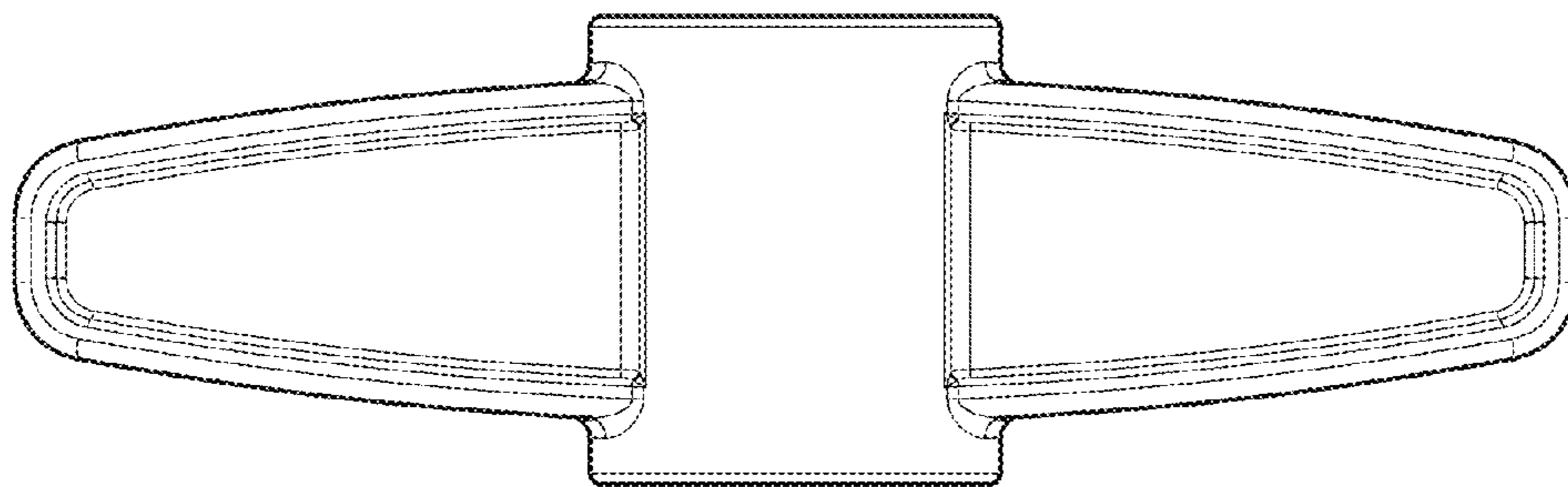


FIG. 15

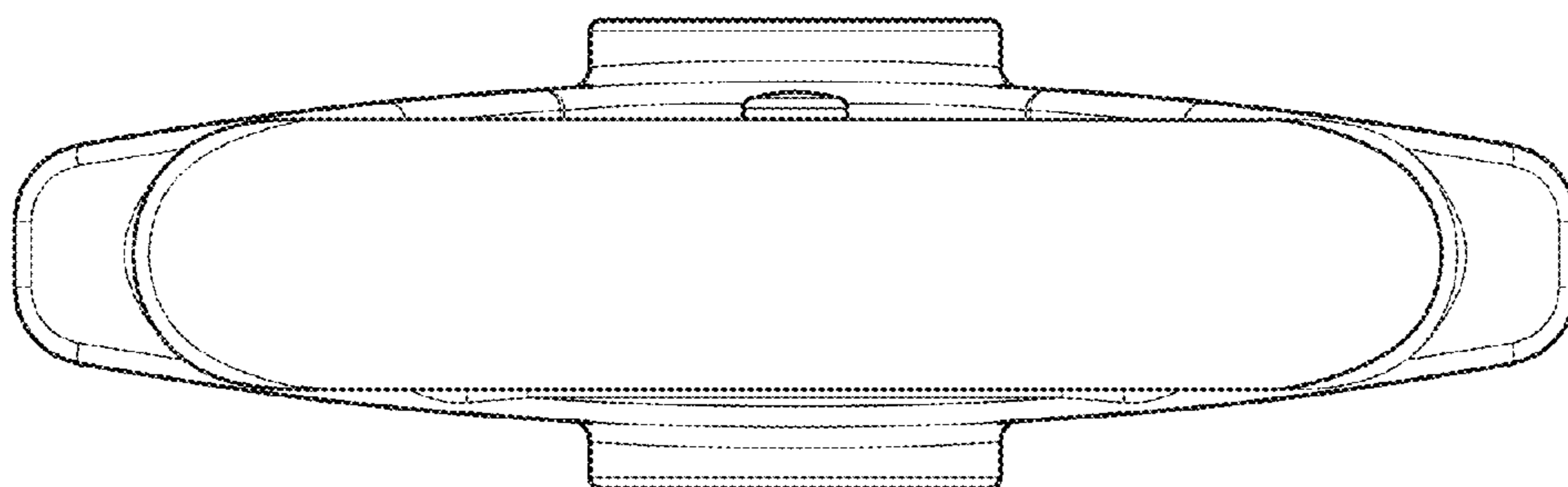


FIG. 16

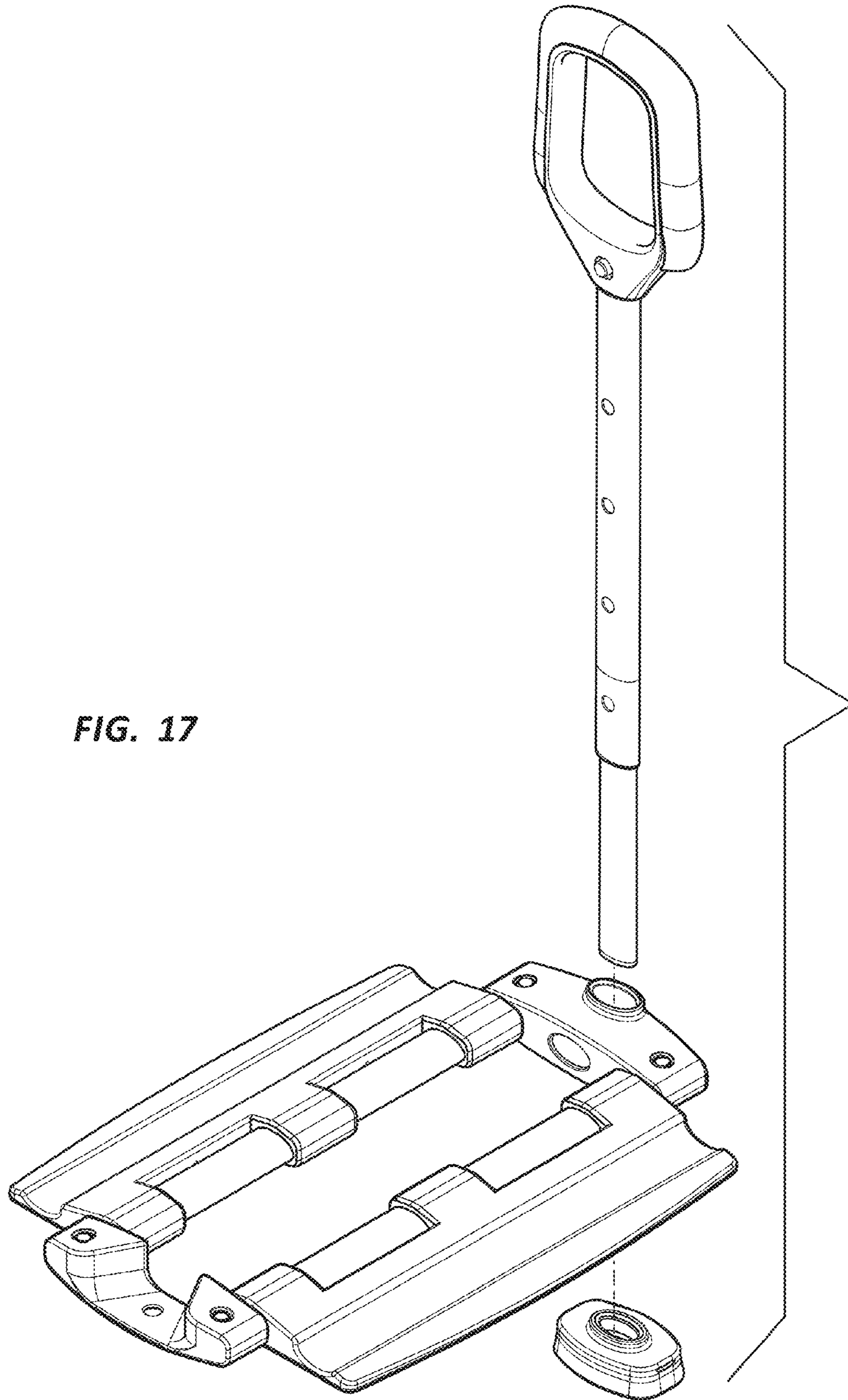


FIG. 17

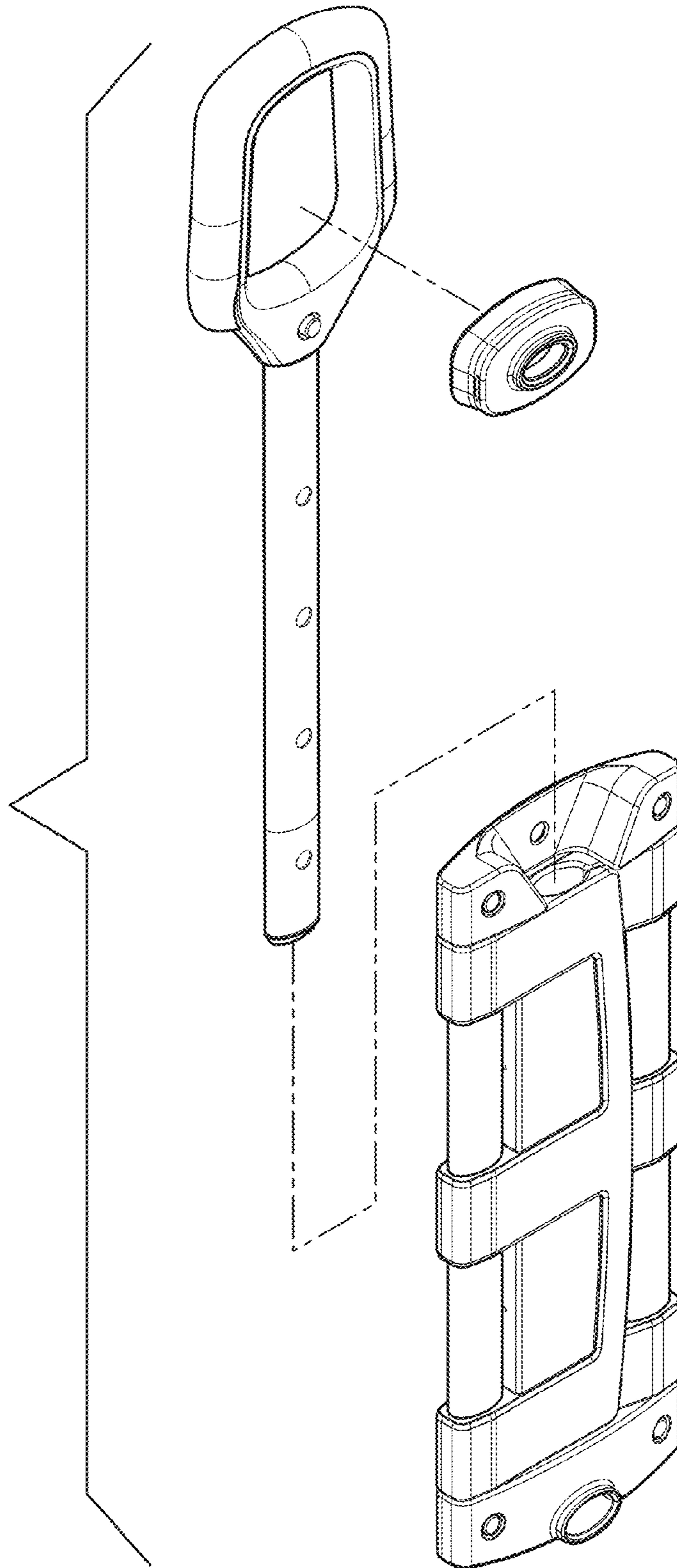


FIG. 18