



US00D702072S

(12) **United States Design Patent**
Neff et al.

(10) **Patent No.:** **US D702,072 S**

(45) **Date of Patent:** **** Apr. 8, 2014**

(54) **BLANKET HAMMOCK**

(71) Applicants: **Jon Neff**, Chicago, IL (US); **Kevin Kaiser**, Chicago, IL (US)

(72) Inventors: **Jon Neff**, Chicago, IL (US); **Kevin Kaiser**, Chicago, IL (US)

(**) Term: **14 Years**

(21) Appl. No.: **29/460,941**

(22) Filed: **Jul. 17, 2013**

(51) **LOC (10) Cl.** **06-06**

(52) **U.S. Cl.**
USPC **D6/718.1; D6/595**

(58) **Field of Classification Search**
USPC D6/383, 386, 387, 718.1, 608, 595;
5/120–123, 127, 128, 417
See application file for complete search history.

(56) **References Cited**

U.S. PATENT DOCUMENTS

712,202 A * 10/1902 Palmer 5/120
D358,045 S * 5/1995 Wolf D6/387
D408,166 S * 4/1999 Bayless D6/387

D551,891 S * 10/2007 Kaiser et al. D6/603
D589,735 S * 4/2009 Kaiser et al. D6/602
D607,662 S * 1/2010 Ellison D6/387

* cited by examiner

Primary Examiner — Janice Seeger

(74) *Attorney, Agent, or Firm* — Richards Patent Law P.C.

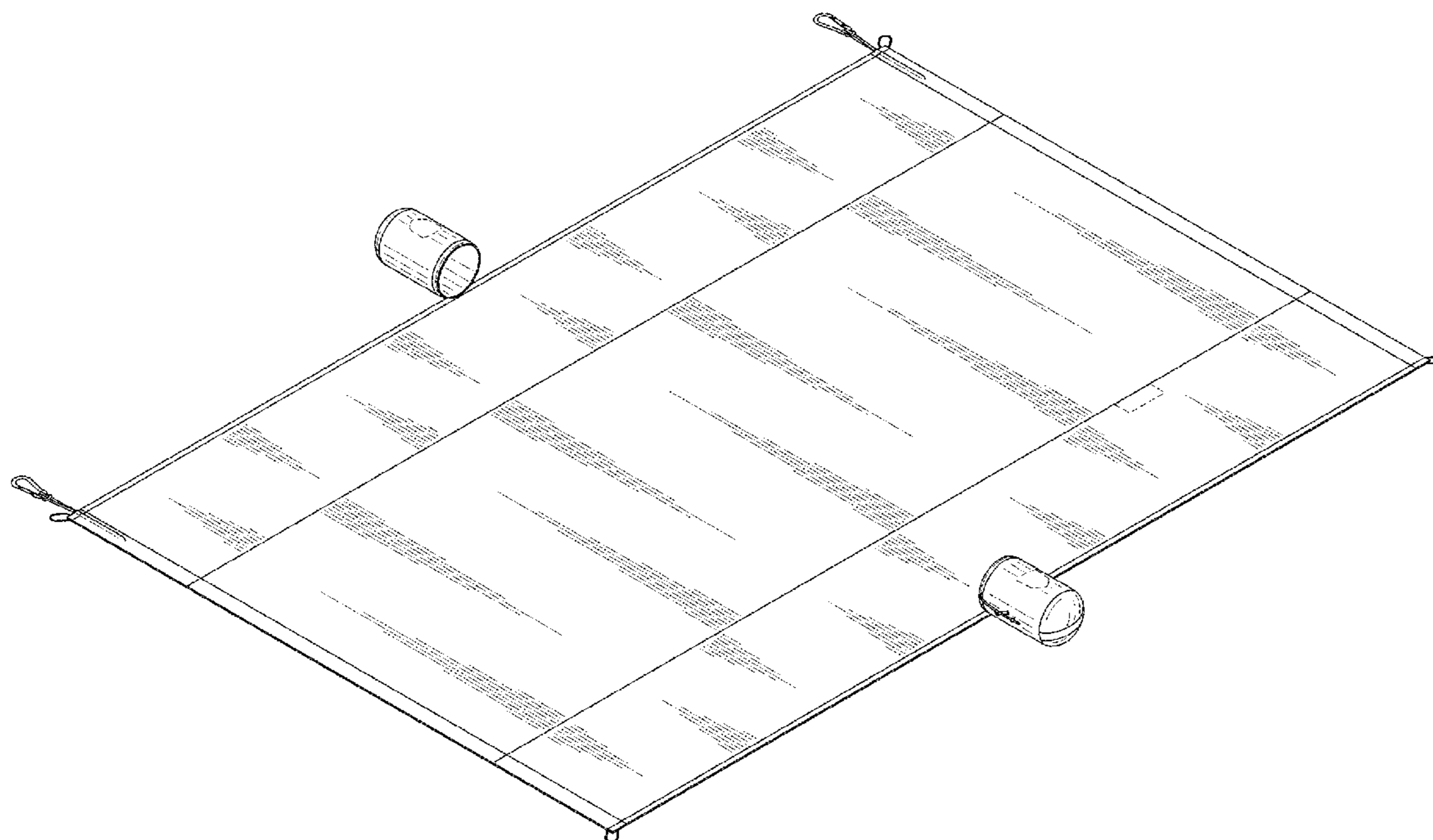
(57) **CLAIM**

The ornamental design for a blanket hammock, as shown and described.

DESCRIPTION

FIG. 1 is a top perspective view of a blanket hammock showing my new design;
FIG. 2 is a top view of the blanket hammock;
FIG. 3 is a bottom view thereof;
FIG. 4 is a side view thereof;
FIG. 5 is a side view opposite that shown in FIG. 4;
FIG. 6 is another side view thereof; and,
FIG. 7 is a side view opposite that shown in FIG. 6.
Those portions of the figures that are presented in broken lines merely illustrate the environment of the design and are not part of the claimed design.

1 Claim, 4 Drawing Sheets



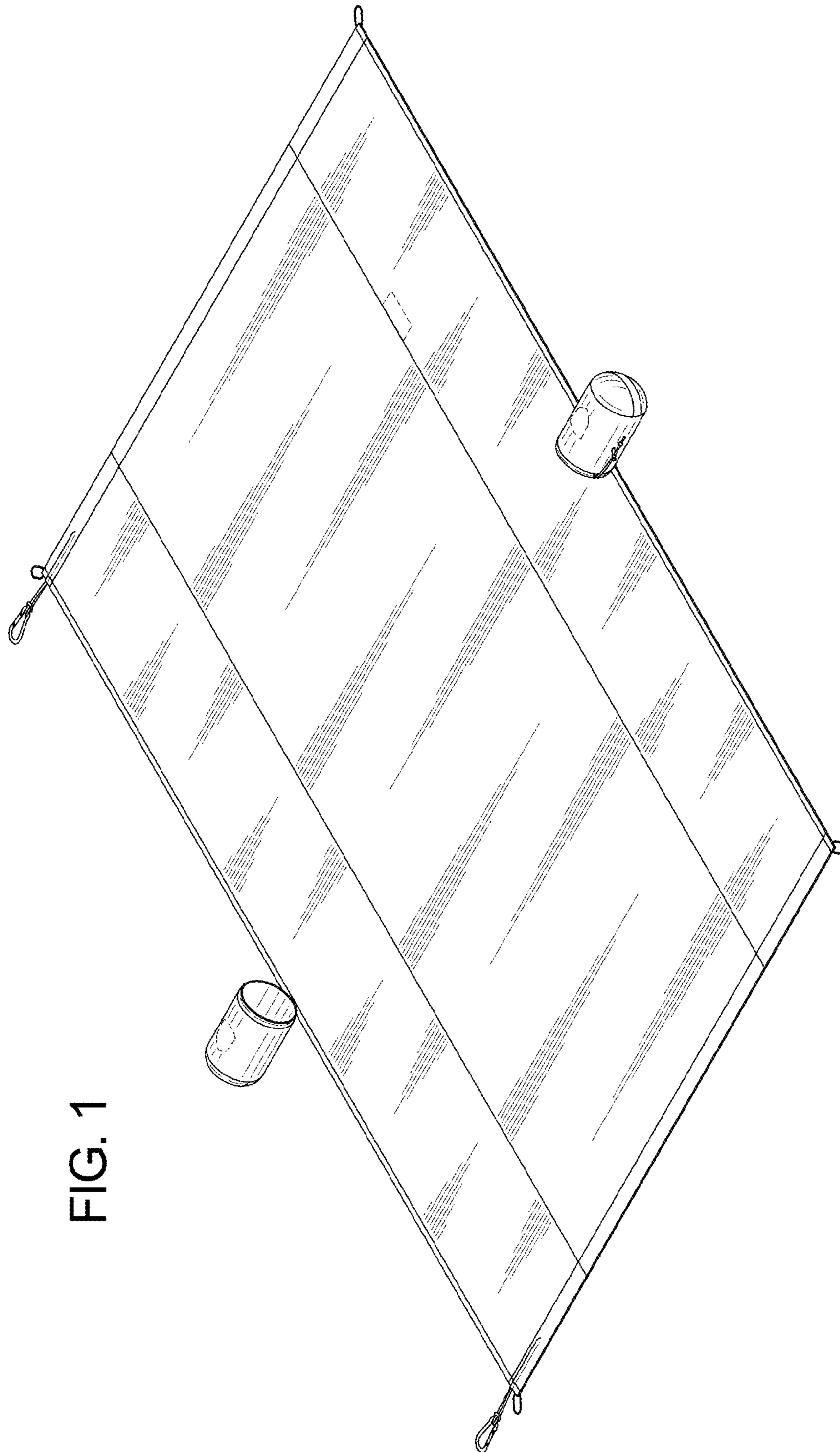
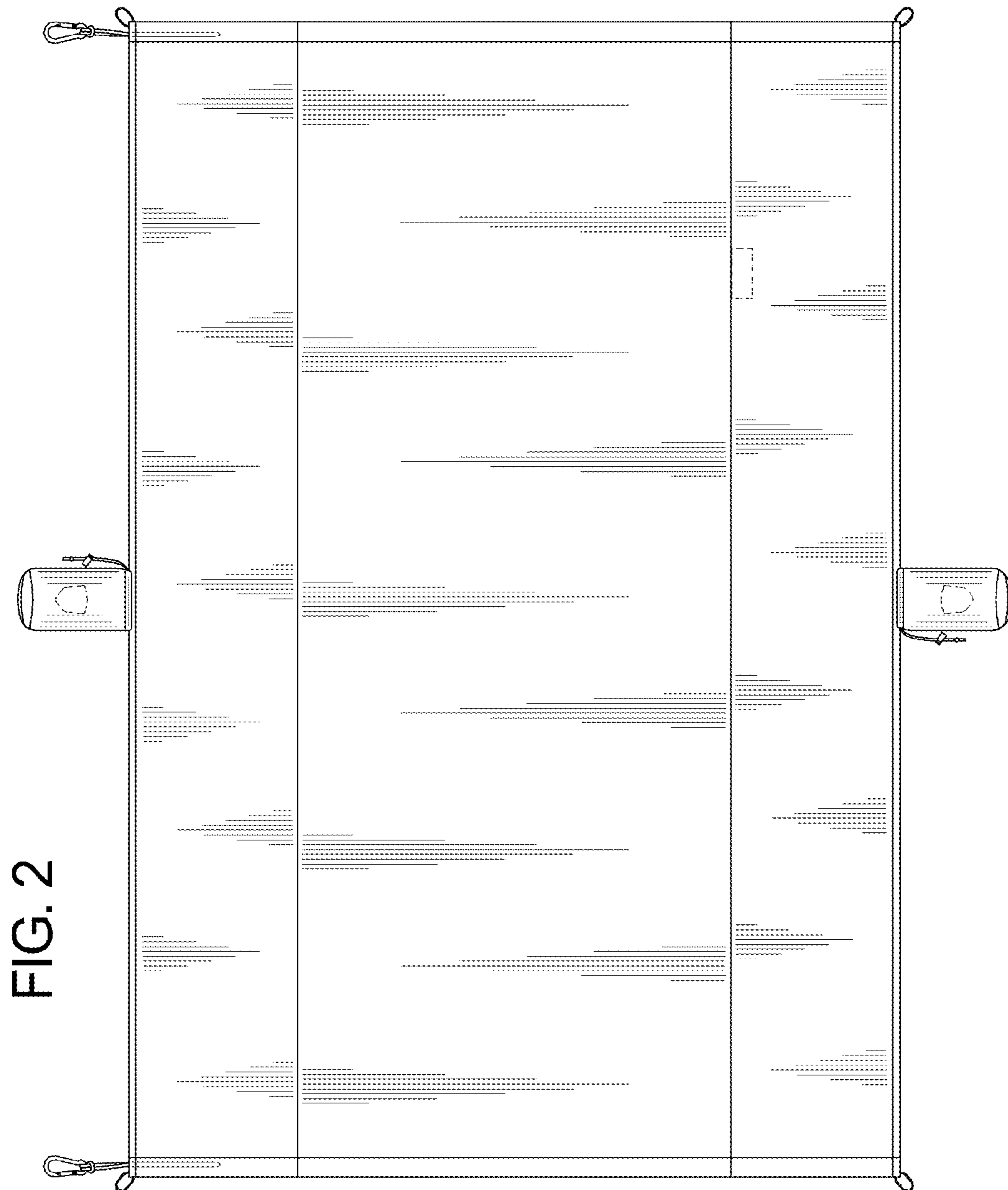


FIG. 1



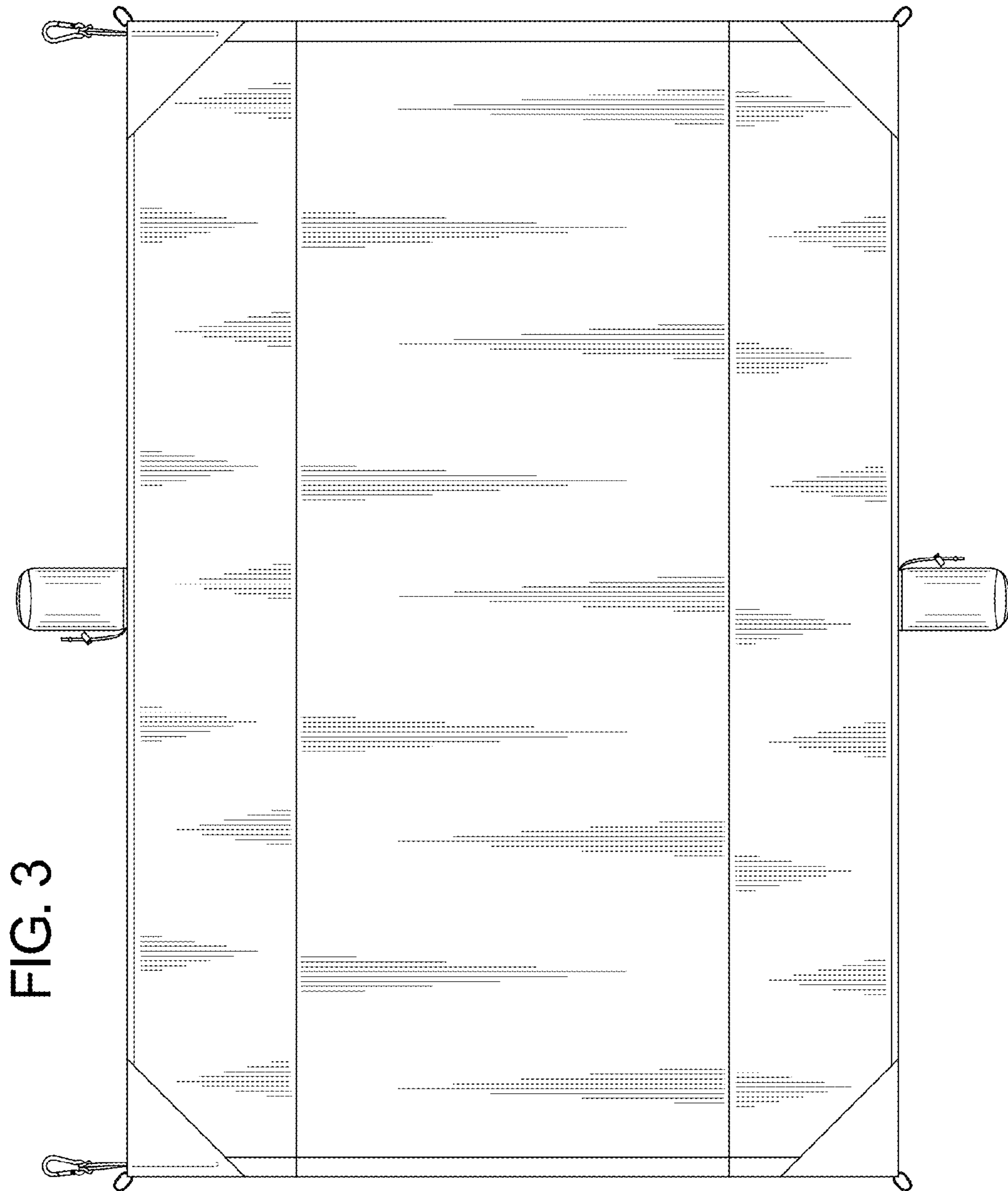


FIG. 4

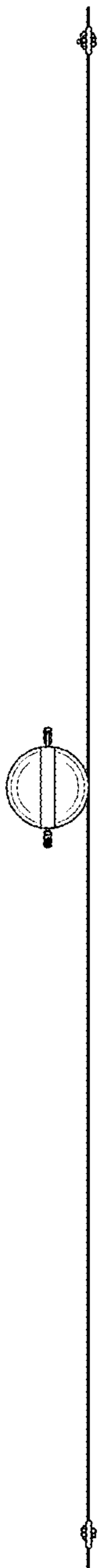


FIG. 5

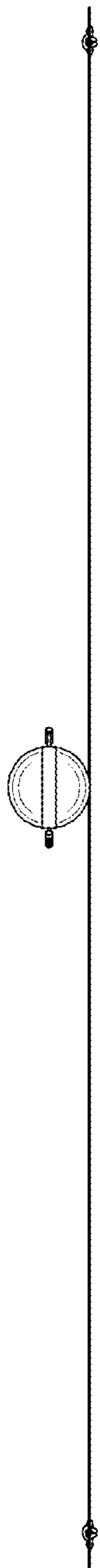


FIG. 6

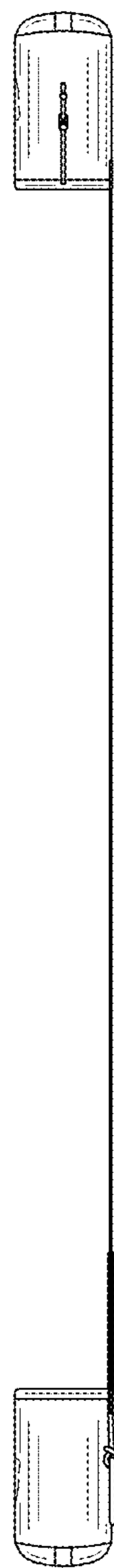


FIG. 7

