

US00D702071S

(12) **United States Design Patent**
Lee

(10) **Patent No.:** **US D702,071 S**
(45) **Date of Patent:** **** Apr. 8, 2014**

(54) **CHAIR STRUCTURE**

(71) Applicant: **Lawrence K. Lee**, Houston, TX (US)

(72) Inventor: **Lawrence K. Lee**, Houston, TX (US)

(**) Term: **14 Years**

(21) Appl. No.: **29/433,248**

(22) Filed: **Sep. 27, 2012**

(51) **LOC (10) Cl.** **06-01**

(52) **U.S. Cl.**
USPC **D6/716.4**

(58) **Field of Classification Search**
USPC D6/334-336, 360, 369, 370, 371-373,
D6/374, 376, 379, 380, 716, 716.1, 716.2,
D6/716.3, 716.4; 297/230.12, 239, 445.1,
297/446.1, 452.63, 452.64
See application file for complete search history.

(56) **References Cited**

U.S. PATENT DOCUMENTS

375,471	A	*	12/1887	Takahama	297/230.12
1,891,145	A	*	12/1932	Dellert	297/239
1,911,224	A	*	5/1933	Dellert	297/239
D110,546	S	*	7/1938	Hickerson	D6/380
D345,471	S	*	3/1994	Takahama	D6/373
D518,969	S	*	4/2006	Mohundro	D6/379
D526,516	S	*	8/2006	Muller	D6/716

D526,824	S	*	8/2006	Muller	D6/716
D551,460	S	*	9/2007	Moser	D6/380
D583,584	S	*	12/2008	Moser	D6/379
D658,411	S	*	5/2012	Lee	D6/716.4
D668,086	S	*	10/2012	Lee	D6/716.4
D672,173	S	*	12/2012	Lee	D6/716.4

* cited by examiner

Primary Examiner — Mimoso De

(74) *Attorney, Agent, or Firm* — Egbert Law Offices, PLLC

(57) **CLAIM**

The ornamental design for a chair structure, as shown and described.

DESCRIPTION

FIG. 1 is a perspective view of the chair structure of a first embodiment showing my design.

FIG. 2 is a front view thereof;

FIG. 3 is a rear view thereof;

FIG. 4 is a top view thereof;

FIG. 5 is a bottom view thereof;

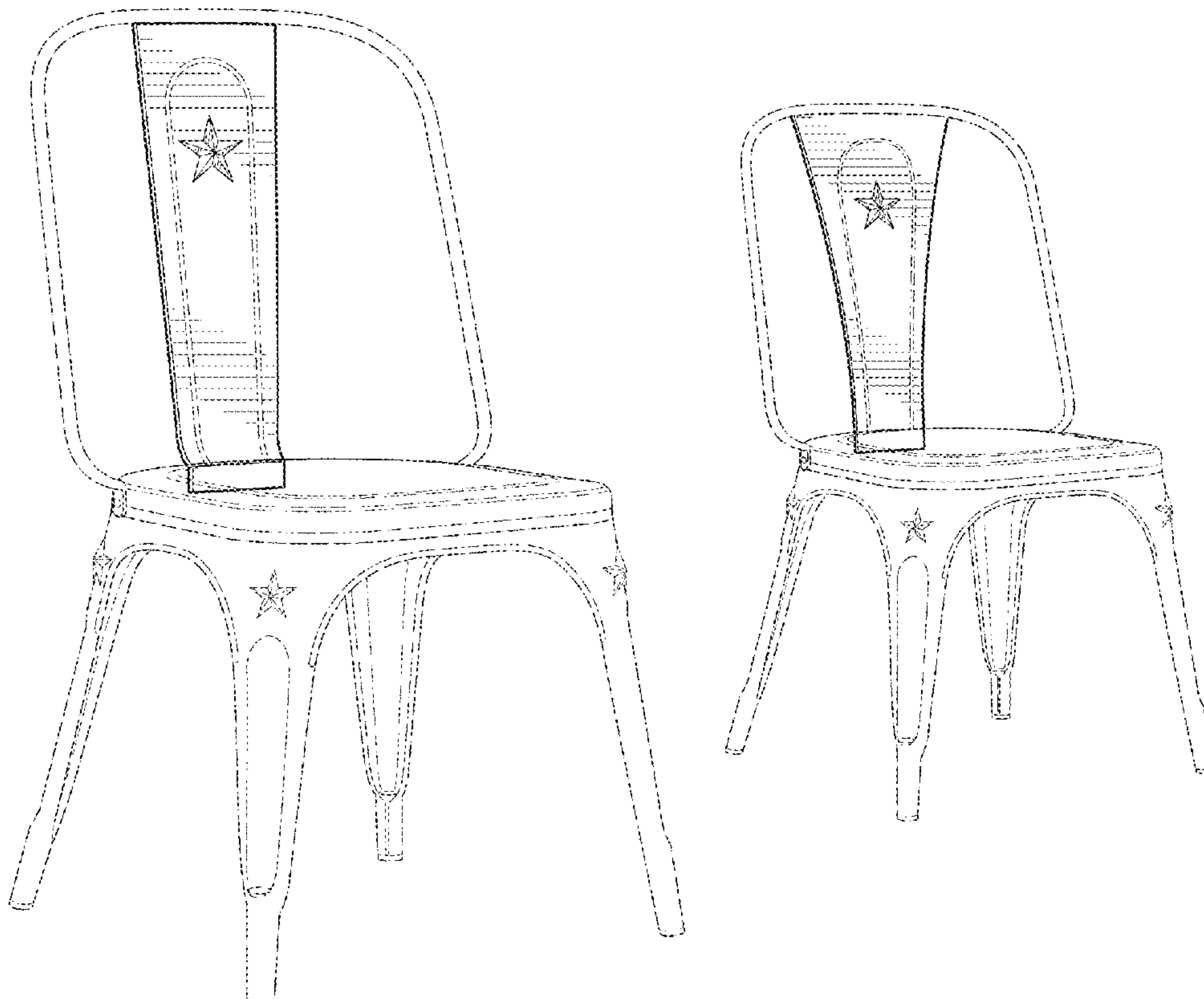
FIG. 6 is a side view thereof;

FIG. 7 is an opposite side view thereof; and,

FIG. 8 is a perspective view a the chair structure of a second embodiment having a slightly wider top.

The features presented in broken lines are for environmental purposes only and form no part of the claimed design.

1 Claim, 3 Drawing Sheets



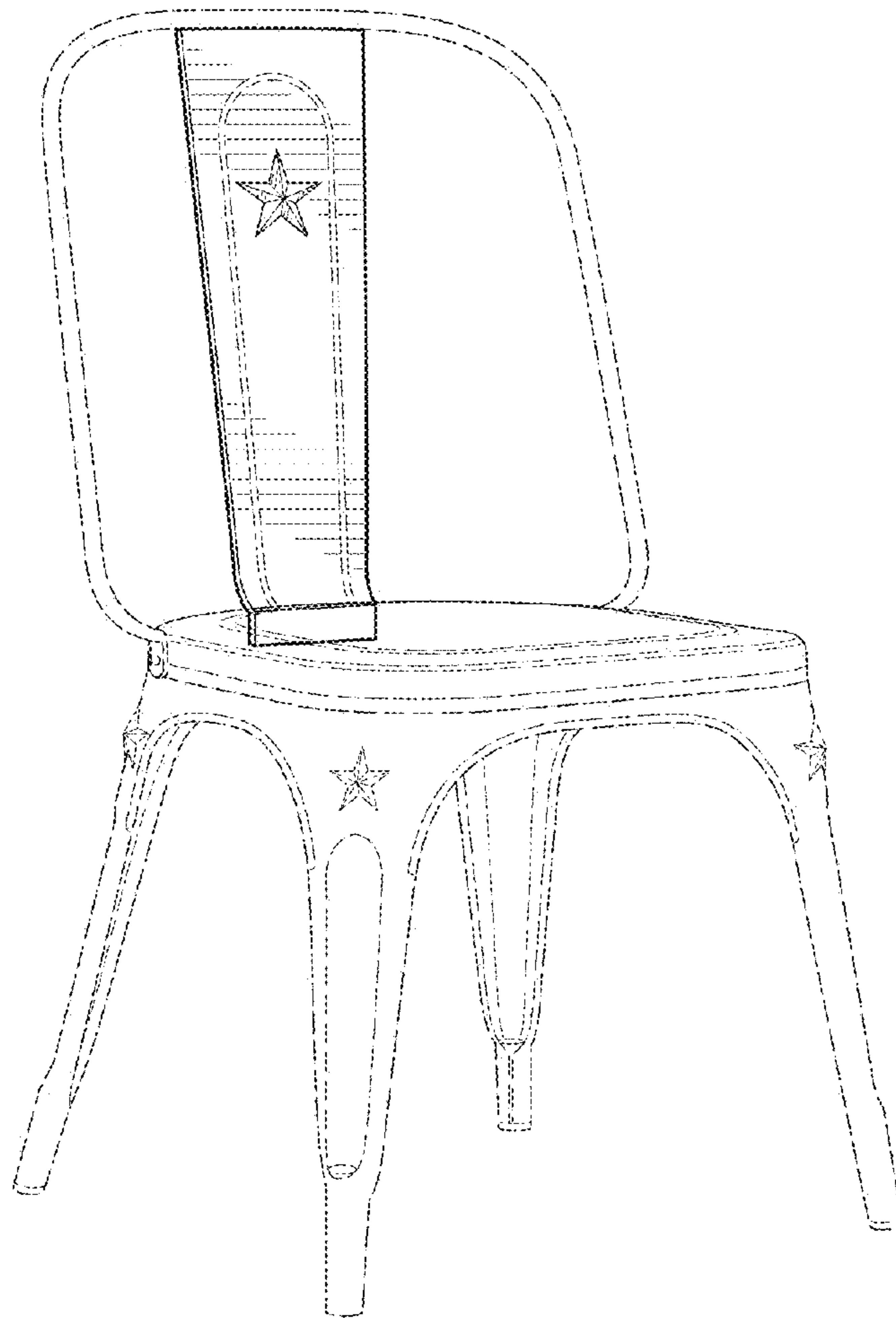


FIG. 1

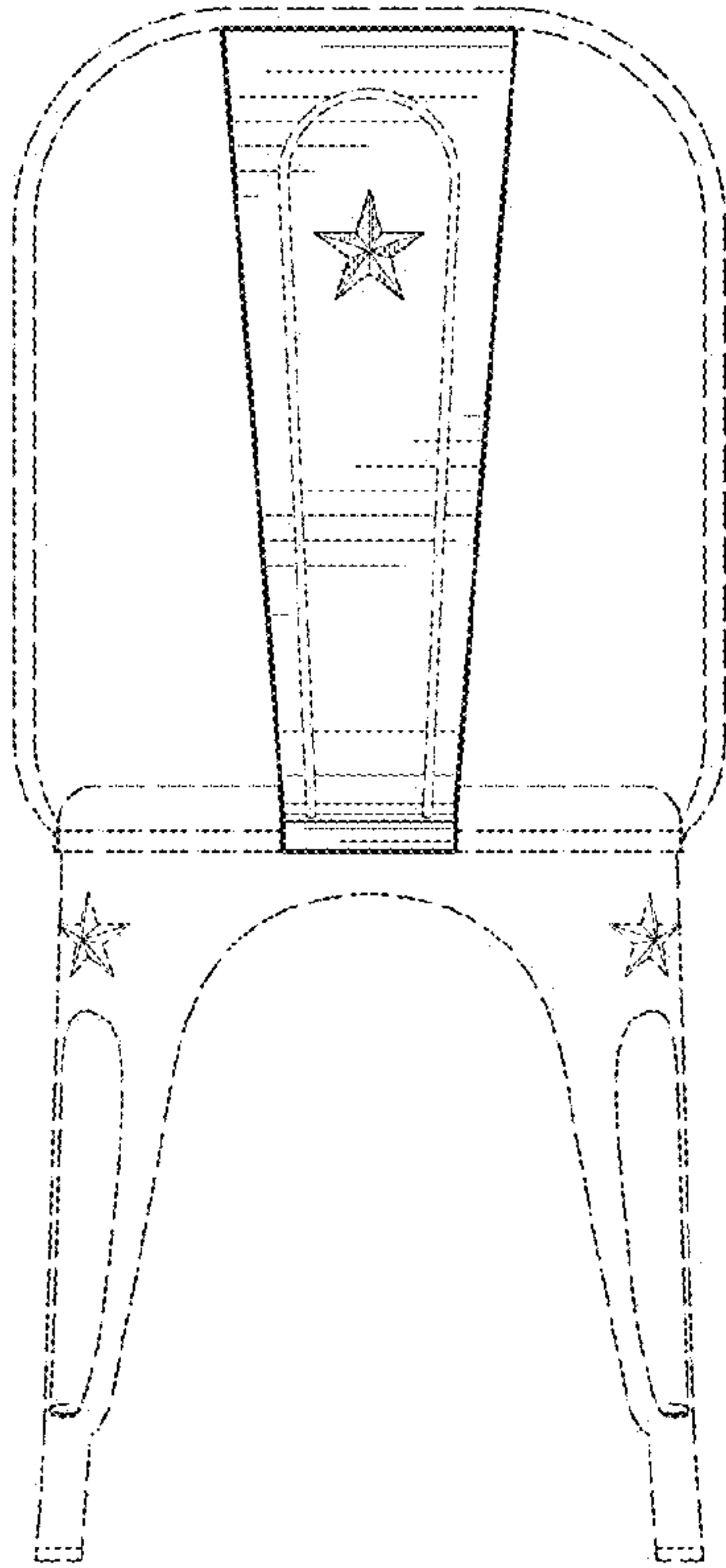


FIG. 2

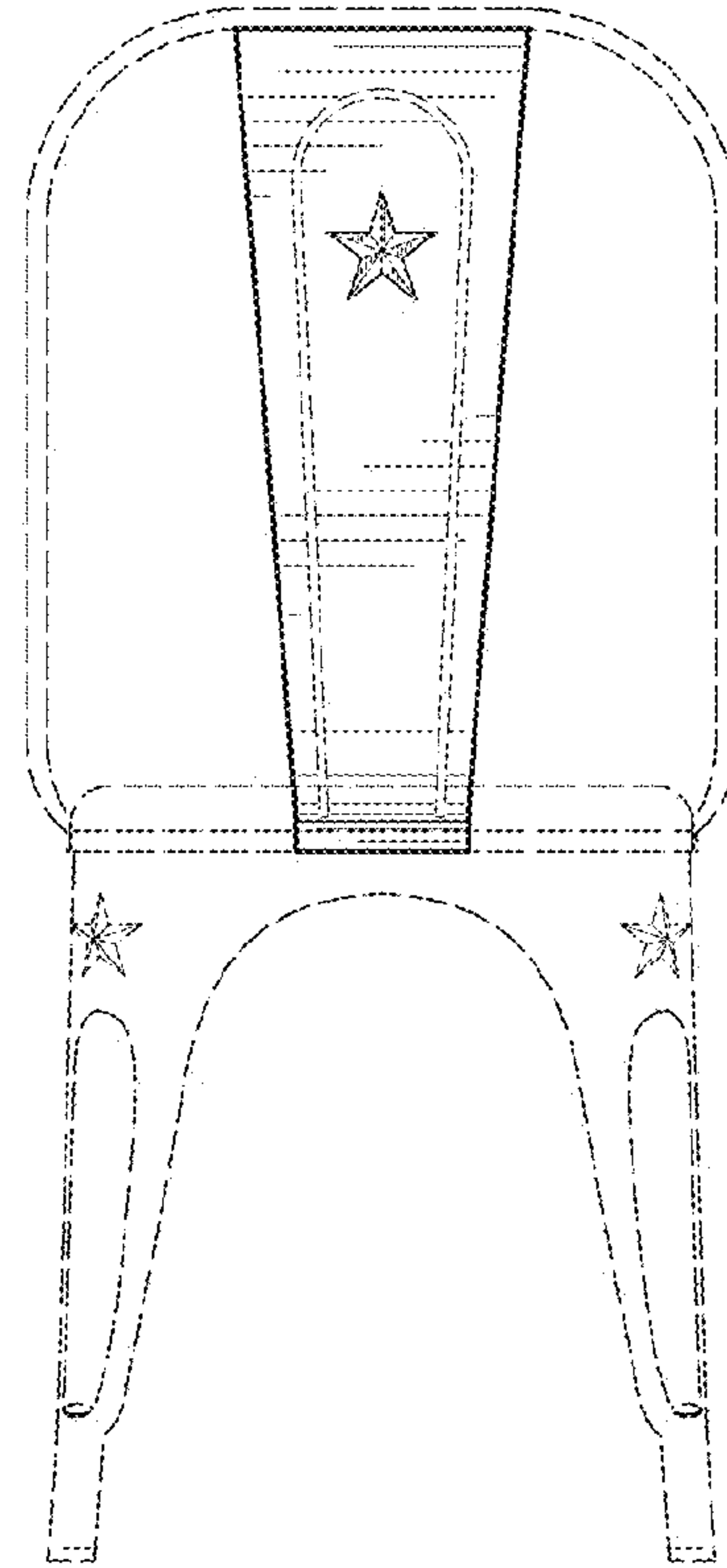


FIG. 3

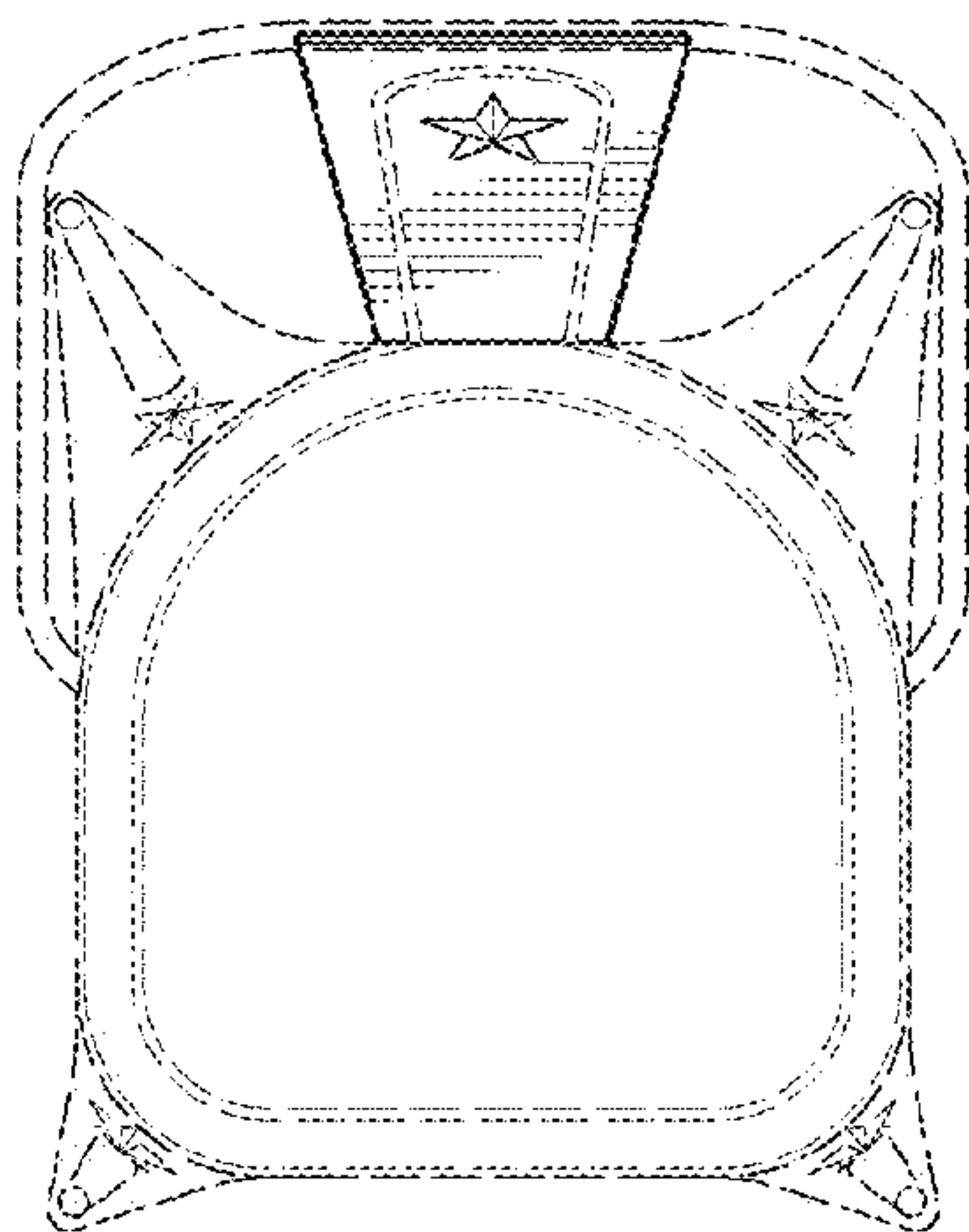


FIG. 4

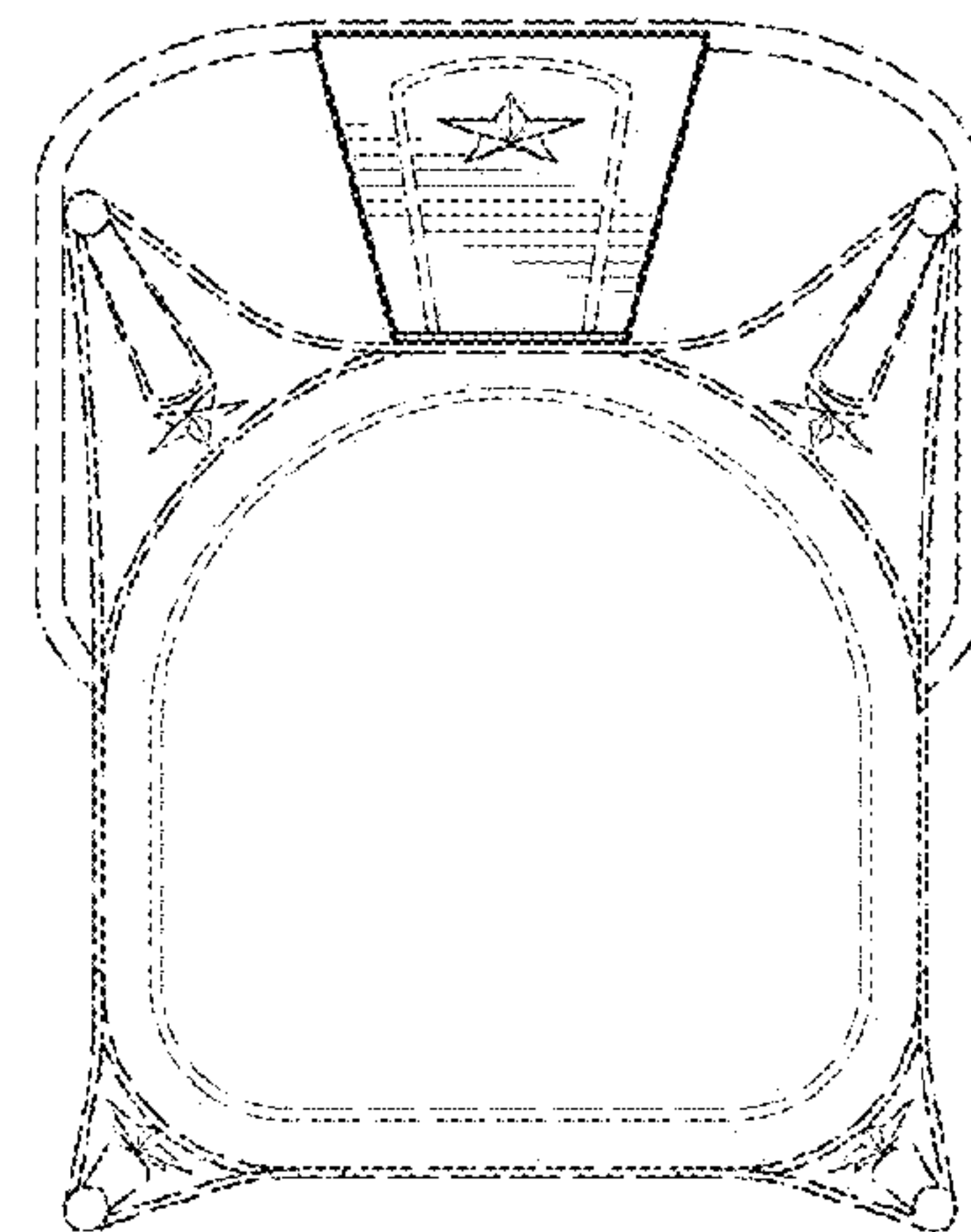


FIG. 5

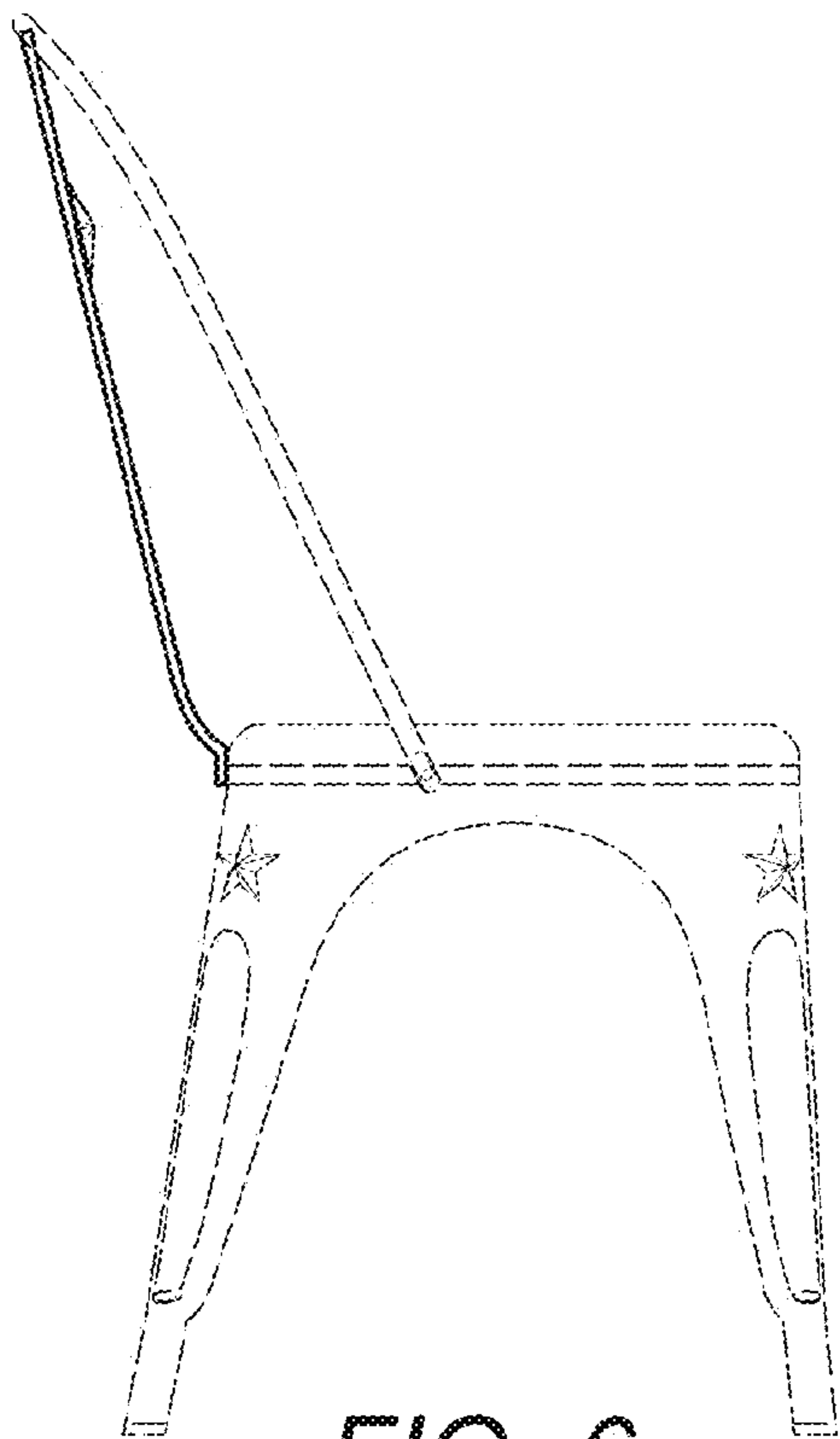


FIG. 6

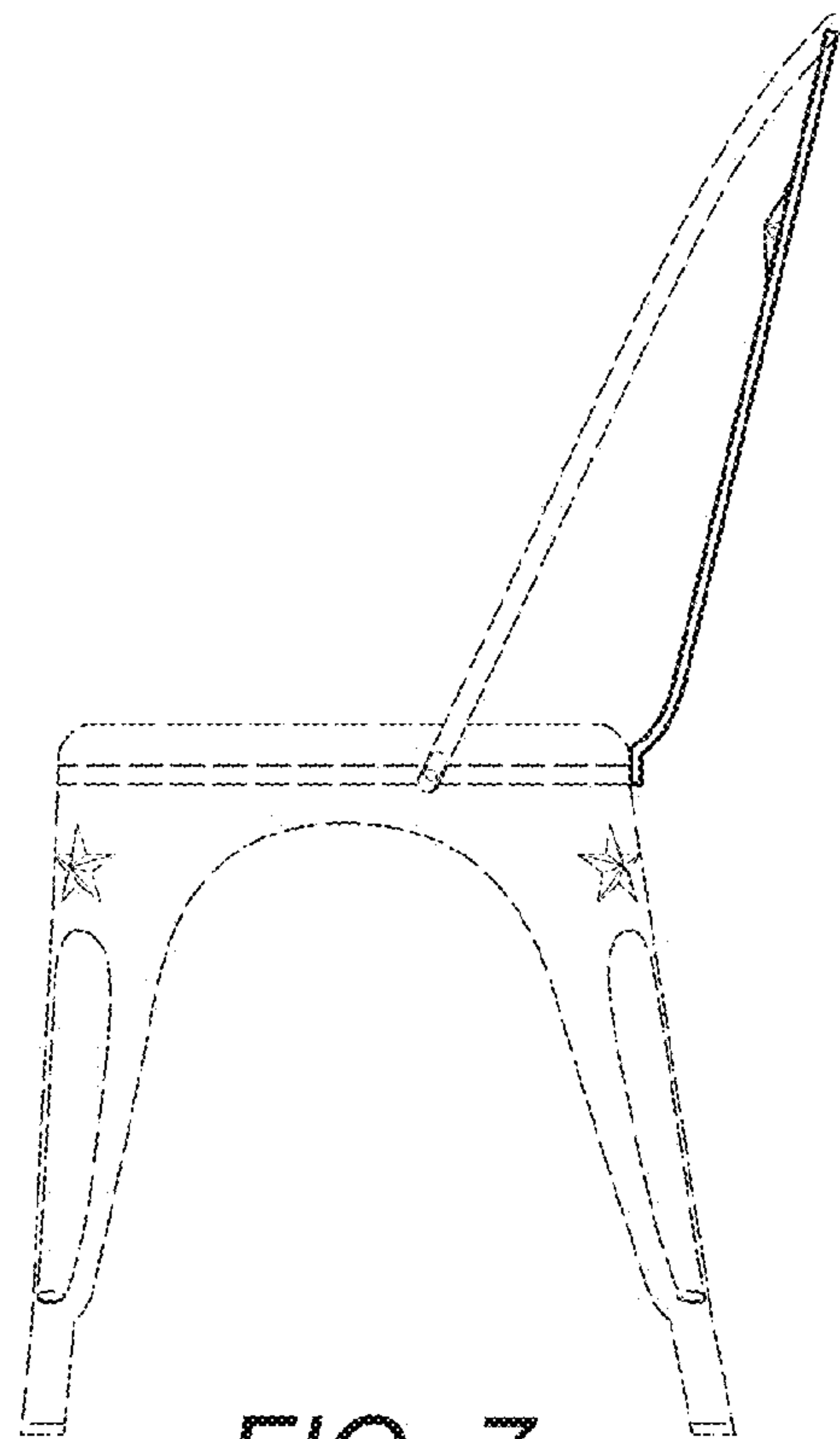


FIG. 7

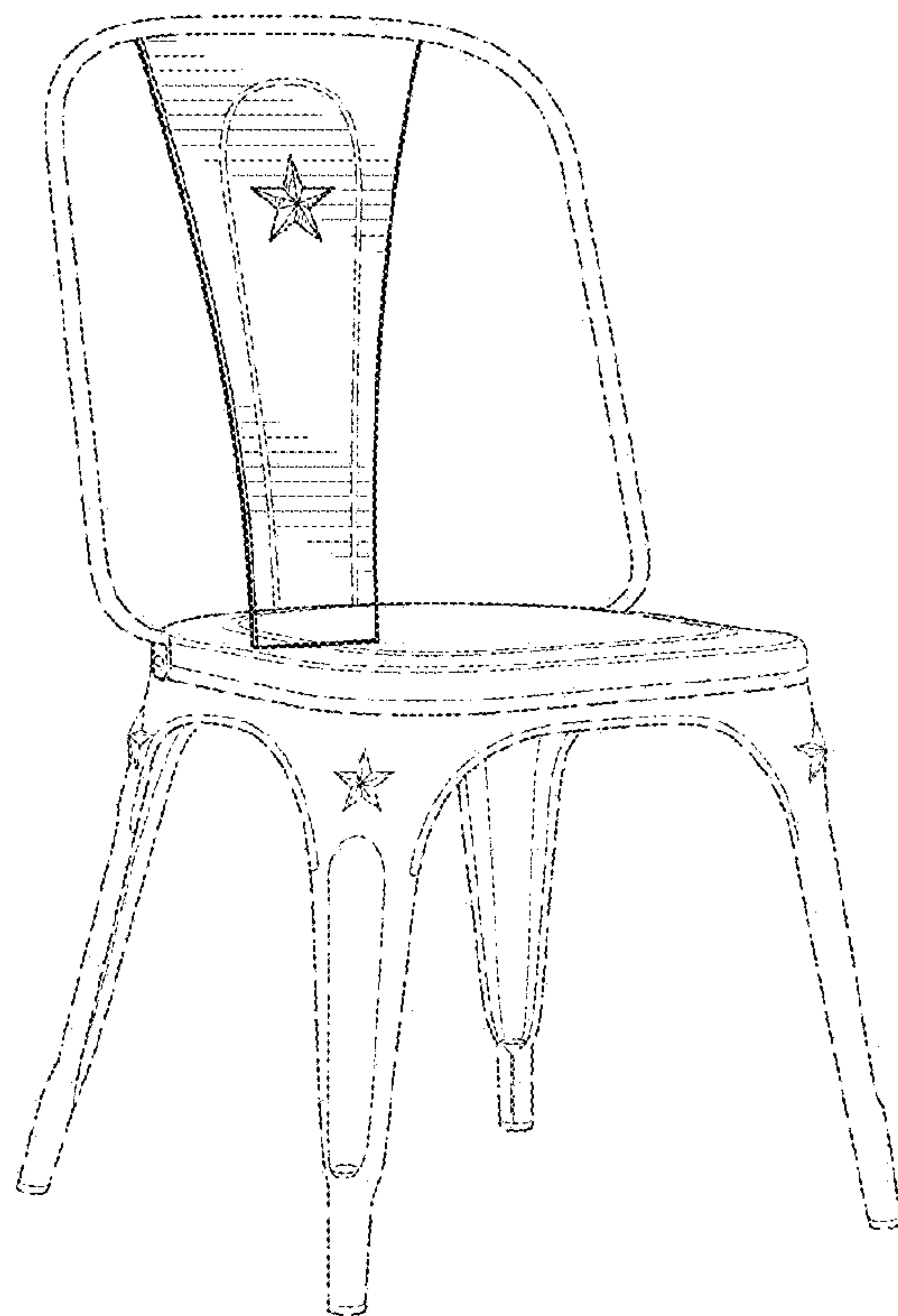


FIG. 8