



US00D702070S

(12) **United States Design Patent**  
**Sizelove**

(10) **Patent No.:** **US D702,070 S**

(45) **Date of Patent:** **\*\* Apr. 8, 2014**

(54) **INTEGRATED USER INTERFACE SYSTEM FOR USER SEAT**

(71) Applicant: **Panasonic Avionics Corporation**, Lake Forest, CA (US)

(72) Inventor: **Steven Lee Sizelove**, Woodinville, WA (US)

(73) Assignee: **Panasonic Avionics Corporation**, Lake Forest, CA (US)

(\*\*) Term: **14 Years**

(21) Appl. No.: **29/460,126**

(22) Filed: **Jul. 8, 2013**

**Related U.S. Application Data**

(62) Division of application No. 29/401,253, filed on Sep. 9, 2011, now Pat. No. Des. 688,060.

(51) **LOC (10) Cl.** ..... **06-01**

(52) **U.S. Cl.**  
USPC ..... **D6/716.2**

(58) **Field of Classification Search**

USPC ..... D6/334-336, 344-349, 360-381, 388, D6/403, 495-502, 601, 716.1-716.3; D13/168; D14/341; 297/22, 31, 35, 297/239, 256.16, 284.4-284.5, 291, 297, 297/302.4, 411.2, 411.27-411.29, 411.35, 297/411.36, 440.13, 440.15, 451.1, 452.13, 297/452.19, 452.21, 452.27, 452.29, 452.3, 297/452.41, 452.56, 452.64; 341/176; 439/345; 455/575.1, 575.4

See application file for complete search history.

(56) **References Cited**

**U.S. PATENT DOCUMENTS**

D250,071 S 10/1978 Dickerson

(Continued)

*Primary Examiner* — Ricky Pham

(74) *Attorney, Agent, or Firm* — Orrick, Herrington & Sutcliffe LLP

(57) **CLAIM**

The ornamental design for an integrated user interface system for user seat, as shown and described.

**DESCRIPTION**

FIG. 1 is a perspective view illustrating an embodiment of my new and ornamental design for an integrated user interface system for installation at an armrest portion of a selected seat, wherein the user interface system is obscured from view by an armrest covering when not in use;

FIG. 2 is a top view illustrating the new and ornamental design for the integrated user interface system of FIG. 1;

FIG. 3 is a front view illustrating the new and ornamental design for the integrated user interface system of FIG. 1;

FIG. 4 is a back view illustrating the new and ornamental design for the integrated user interface system of FIG. 1;

FIG. 5 is a left-side view illustrating the new and ornamental design for the integrated user interface system of FIG. 1;

FIG. 6 is a right-side view illustrating the new and ornamental design for the integrated user interface system of FIG. 1;

FIG. 7 is a detail view illustrating the new and ornamental design for the integrated user interface system of FIGS. 1-6;

FIG. 8 is a detail view illustrating the new and ornamental design for the integrated user interface system of FIGS. 1-6,

wherein the user interface system becomes apparent when a hand of a user approaches, and becomes proximate to, the user interface system;

FIG. 9 is a perspective view illustrating the new and ornamental design for the integrated user interface system of FIGS. 1-6, wherein the user interface system is apparent via the armrest covering when activated for use;

FIG. 10 is a top view illustrating the new and ornamental design for the integrated user interface system of FIG. 9;

FIG. 11 is a front view illustrating the new and ornamental design for the integrated user interface system of FIG. 9;

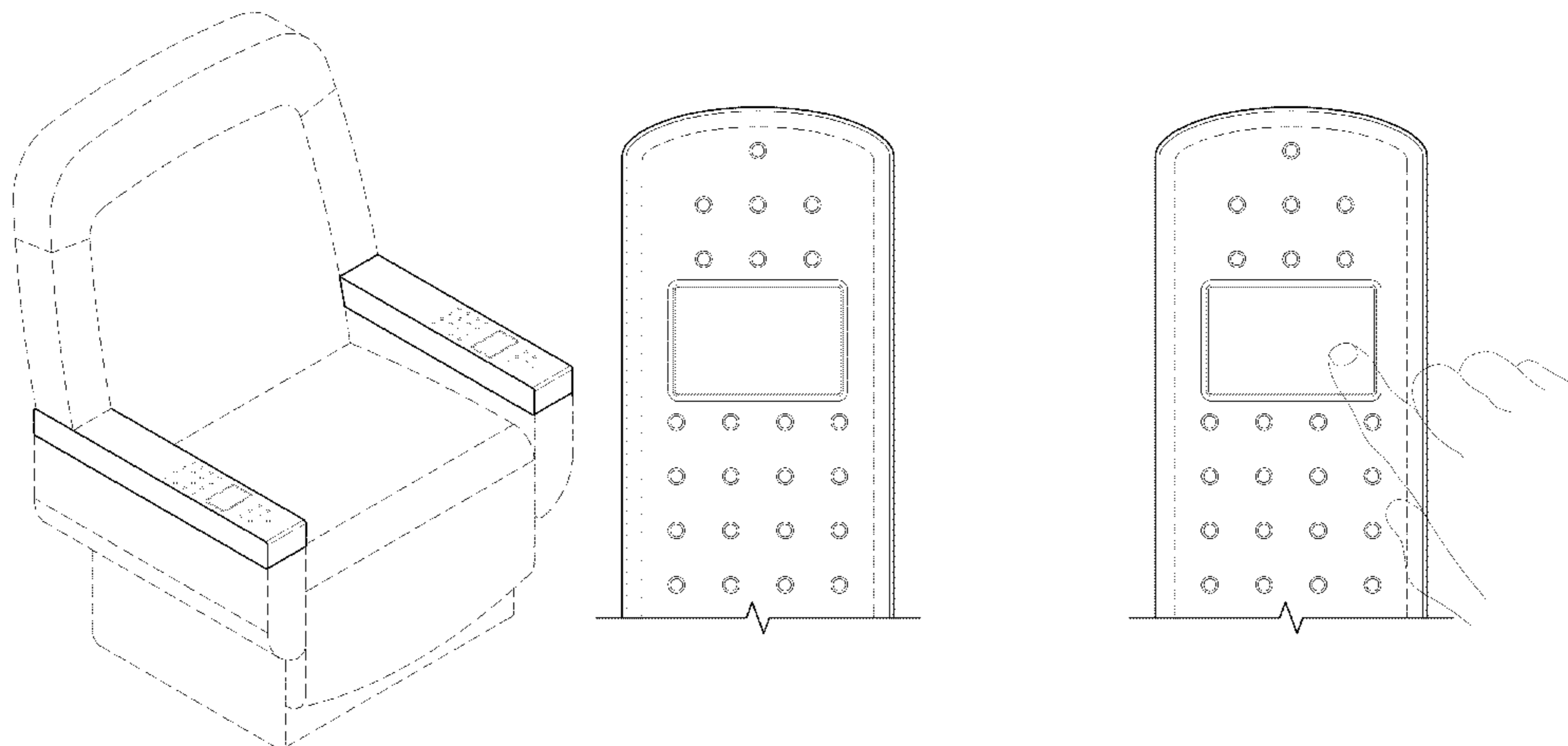
FIG. 12 is a back view illustrating the new and ornamental design for the integrated user interface system of FIG. 9;

FIG. 13 is a left-side view illustrating the new and ornamental design for the integrated user interface system of FIG. 9; and,

FIG. 14 is a right-side view illustrating the new and ornamental design for the integrated user interface system of FIG. 9.

The broken lines shown in the drawings are for illustrative purposes only and form no part of the claimed design.

**1 Claim, 14 Drawing Sheets**



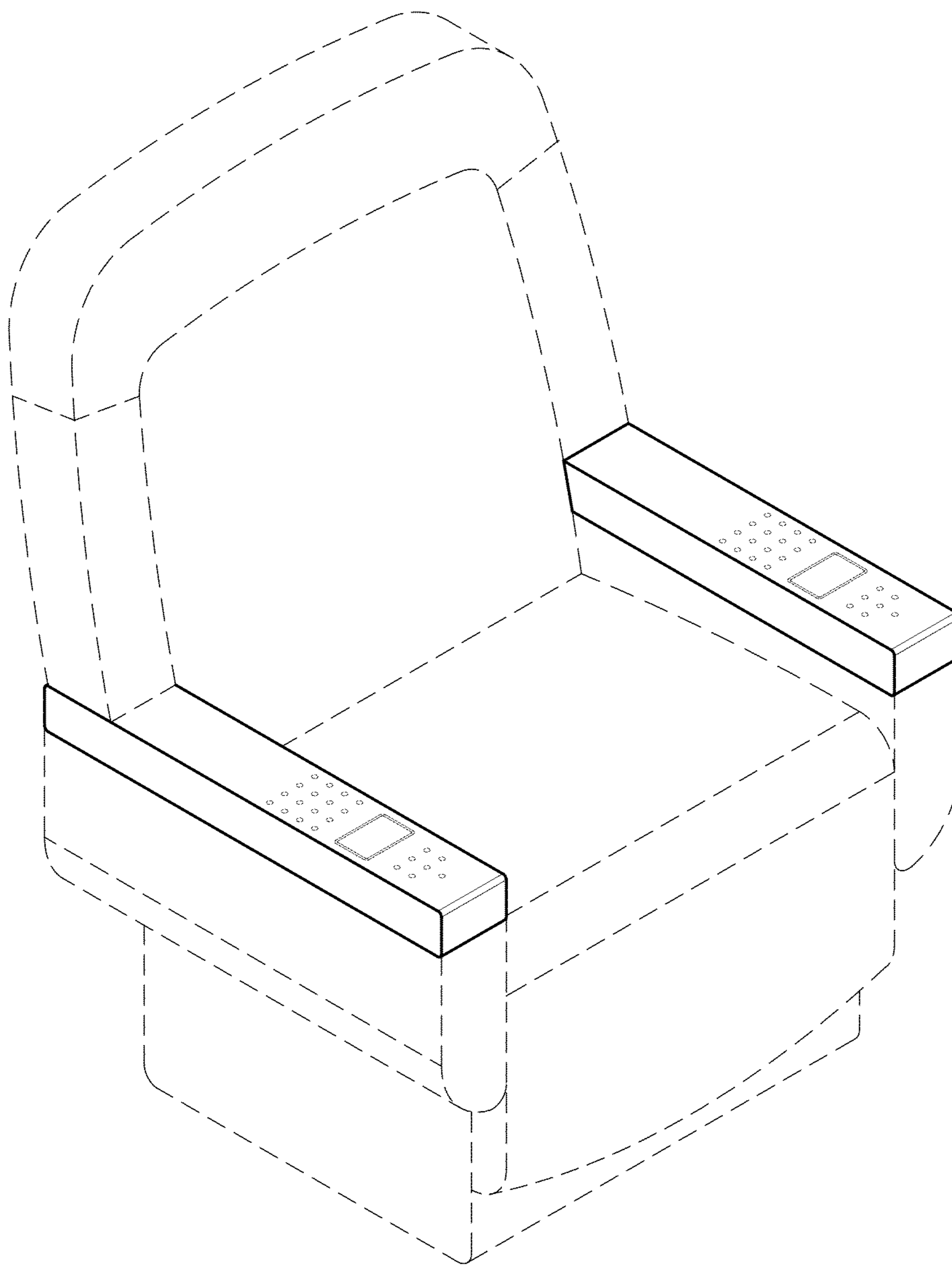
(56)

**References Cited**

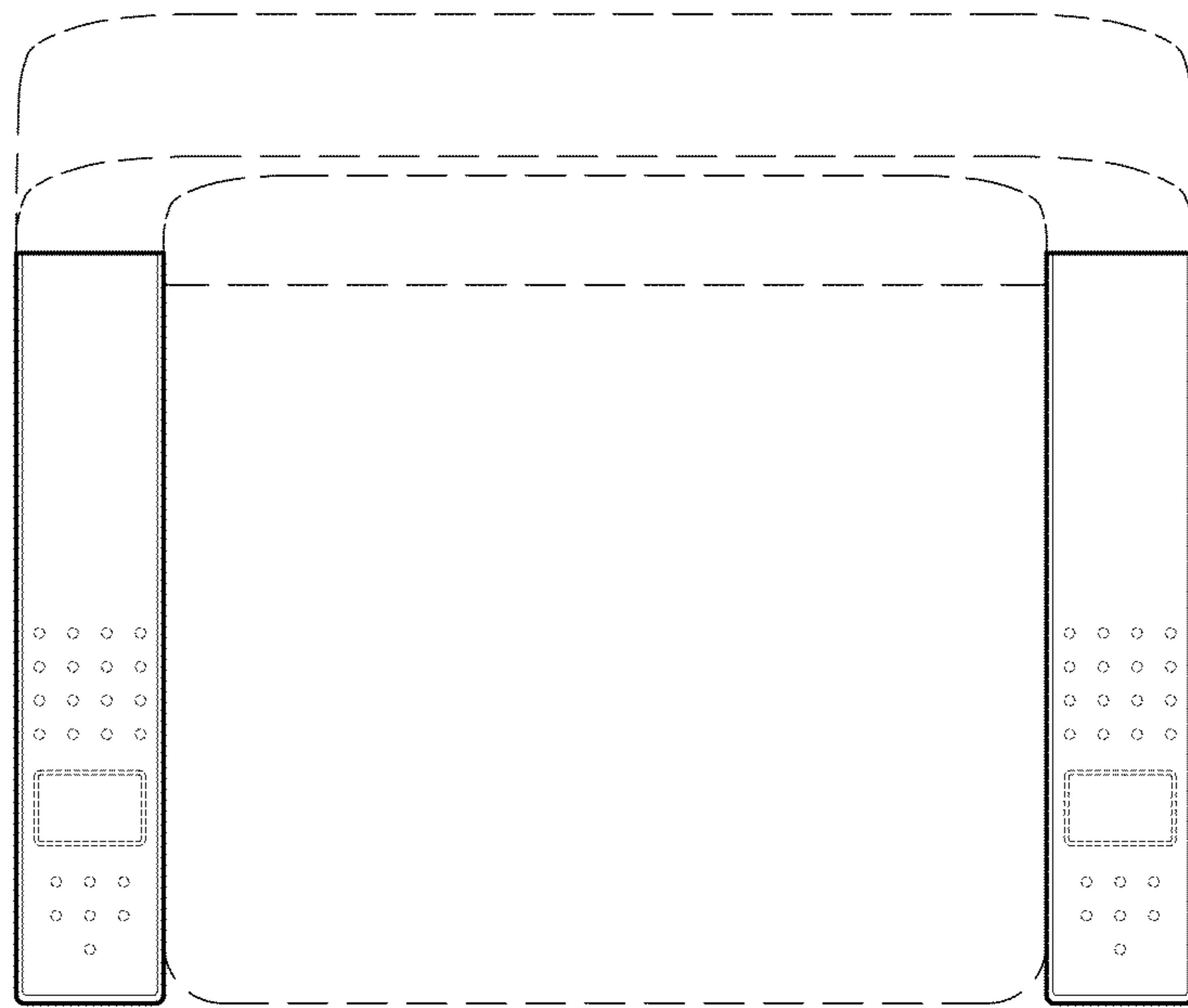
U.S. PATENT DOCUMENTS

D340,235 S	10/1993	Robak et al.					
D577,503 S	9/2008	Priestman					
D611,433 S *	3/2010	Tang et al. ....	D13/168				
D629,764 S *	12/2010	de Swarte et al. ....	D13/168				
8,246,117 B2 *	8/2012	Melhuish et al. ....	297/411.35				
D677,953 S *	3/2013	McDonnell .....	D6/716.3				
				D688,060 S *	8/2013	Sizelove .....	D6/716.3
				D689,480 S *	9/2013	Akana et al. ....	D14/341
				8,550,837 B2 *	10/2013	Tagawa et al. ....	439/345
				D692,881 S *	11/2013	Akana et al. ....	D14/341
				2005/0014538 A1 *	1/2005	Hyun et al. ....	455/575.4
				2005/0059438 A1 *	3/2005	Jellicoe .....	455/575.1
				2006/0111158 A1 *	5/2006	Hou .....	455/575.1
				2006/0250018 A1 *	11/2006	Tsai .....	297/411.36
				2007/0024486 A1 *	2/2007	McRae .....	341/176

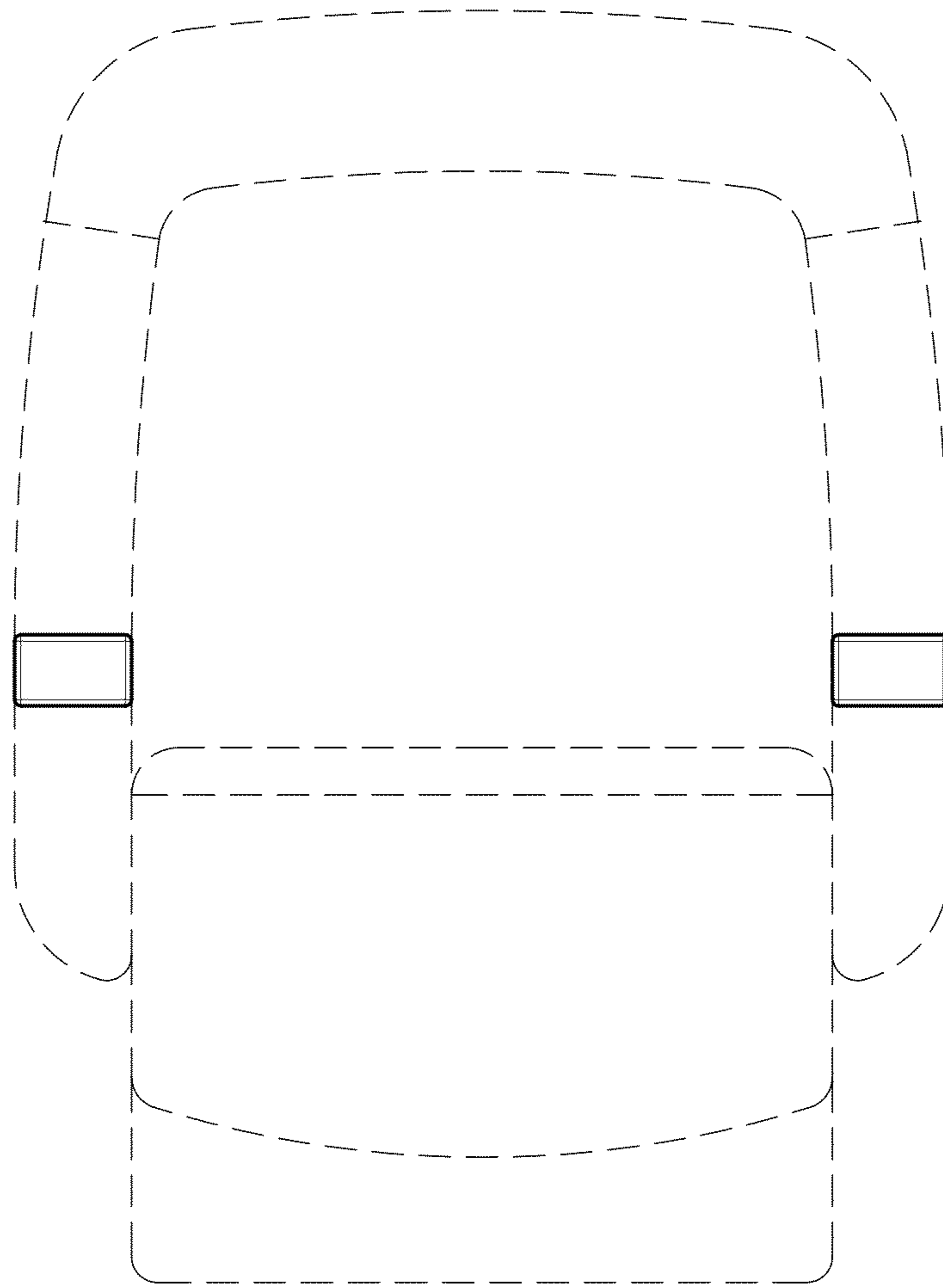
\* cited by examiner



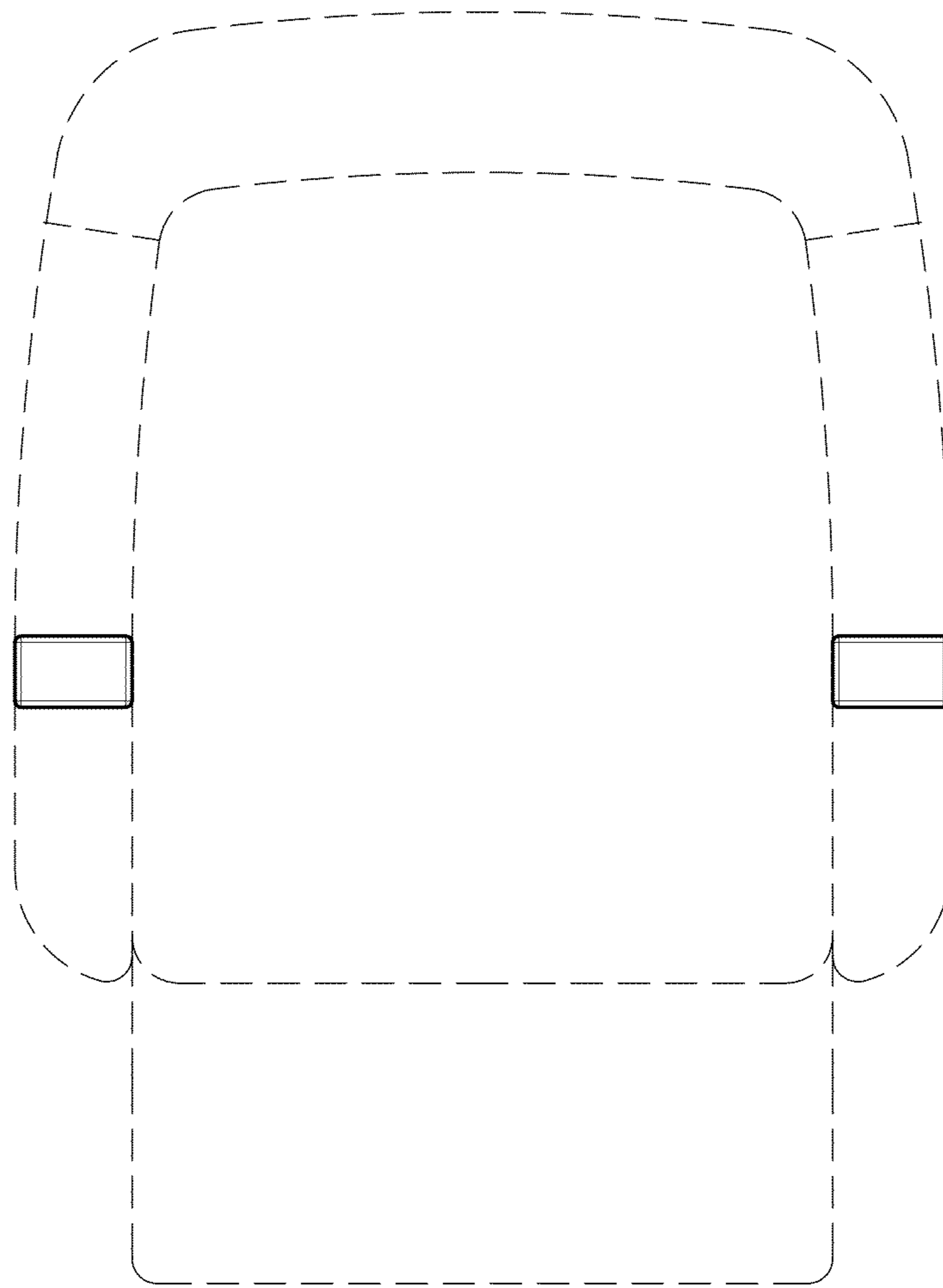
*FIG. 1*



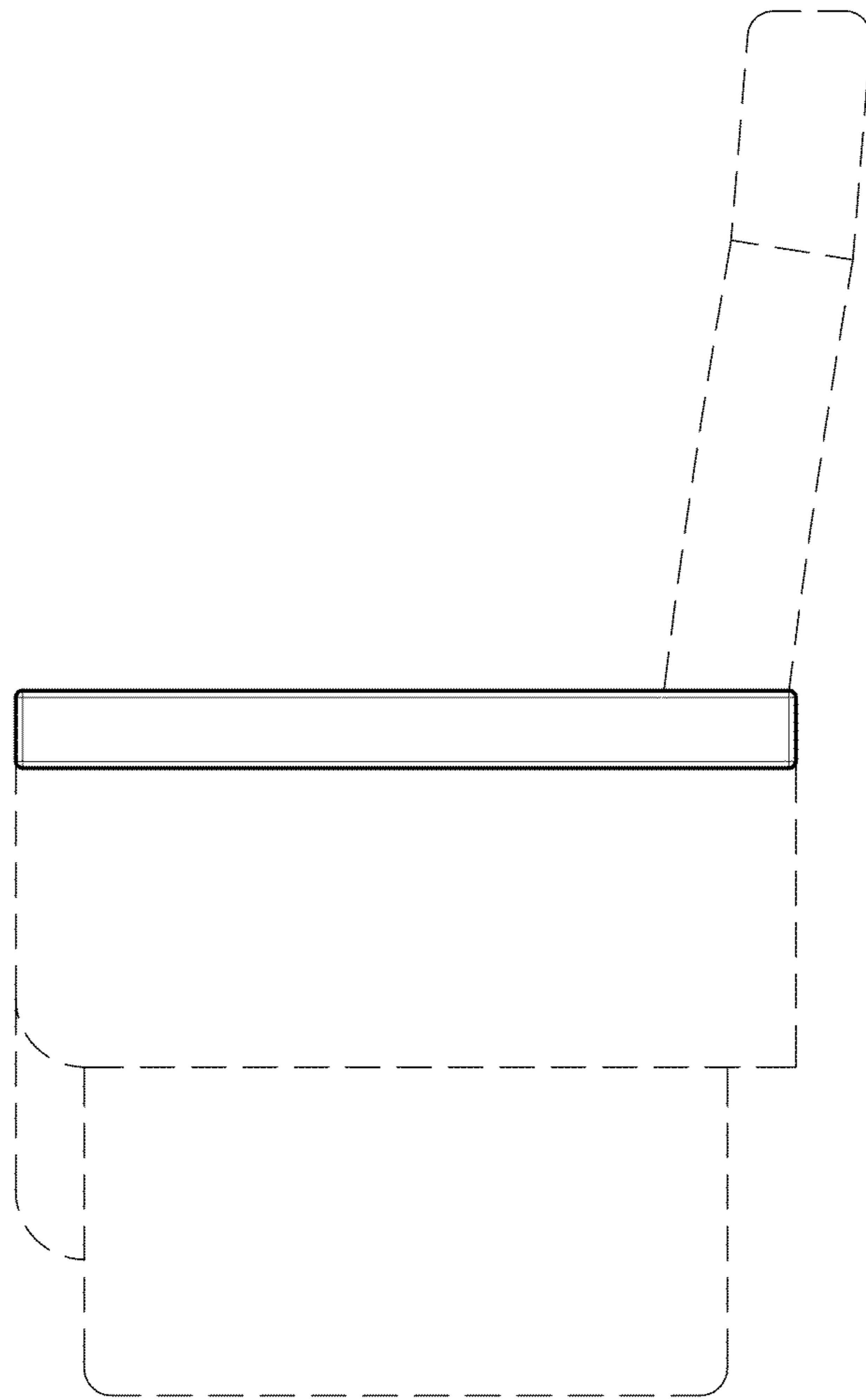
*FIG. 2*



*FIG. 3*

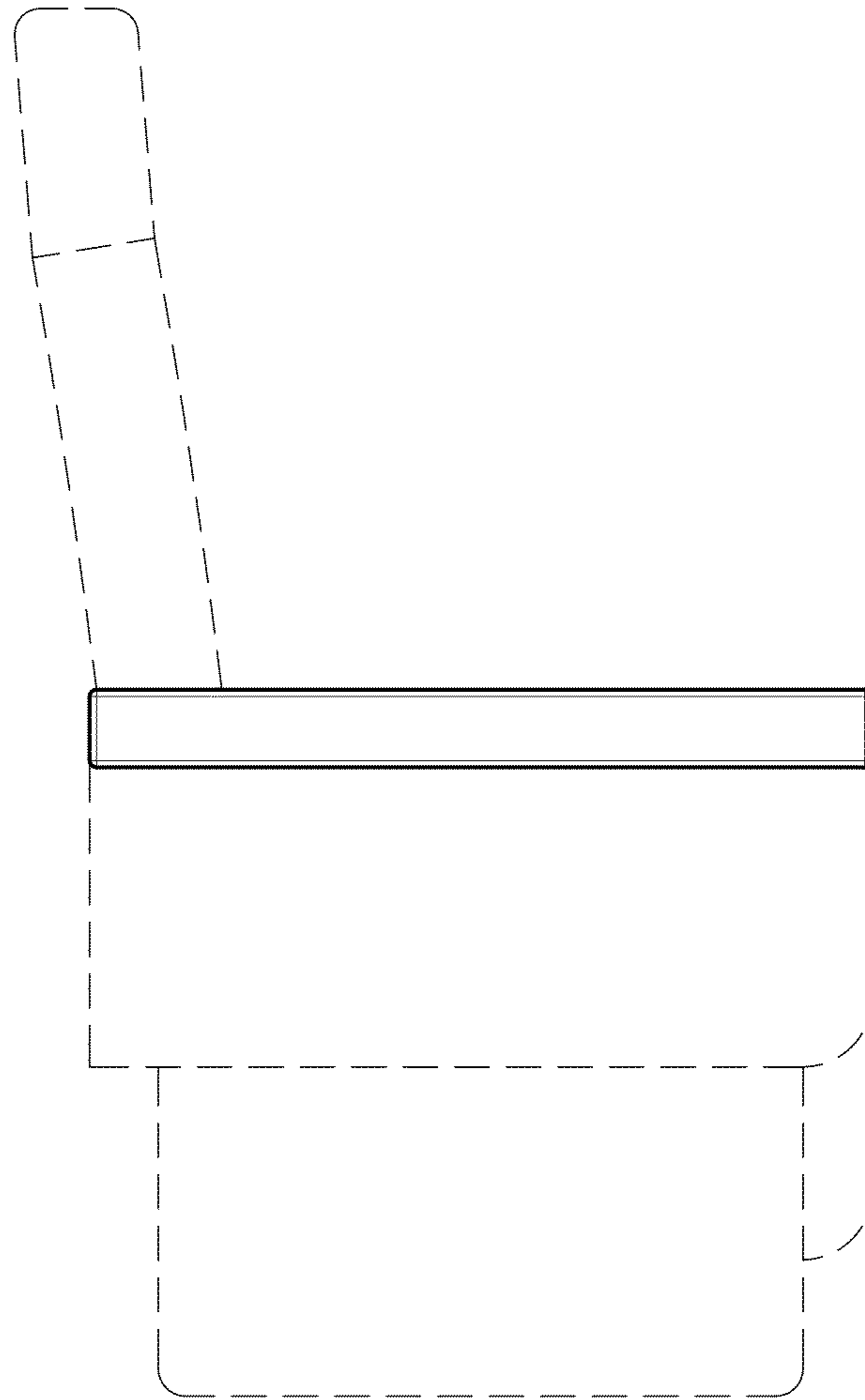


*FIG. 4*



*FIG. 5*





*FIG. 6*



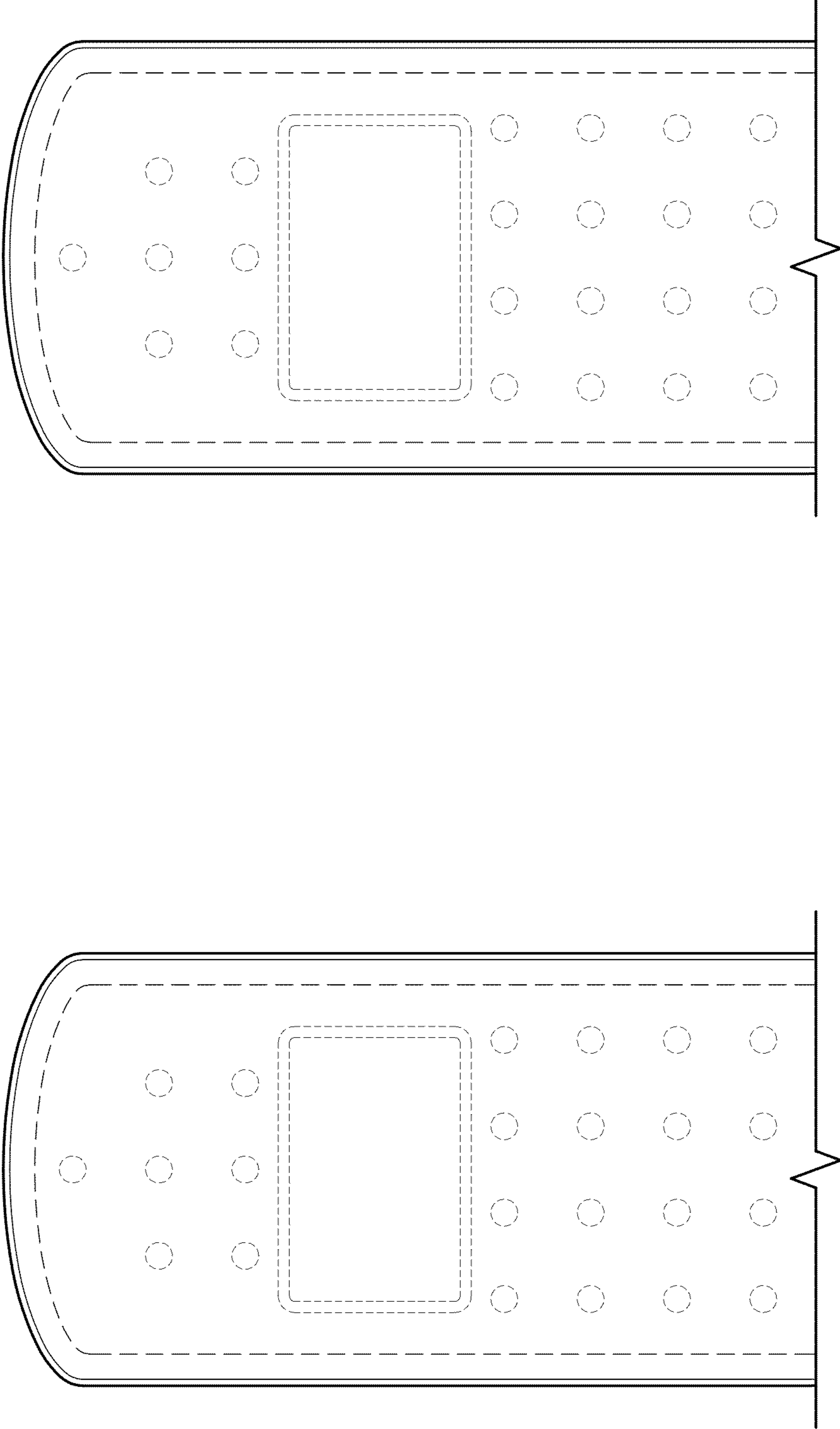


FIG. 7

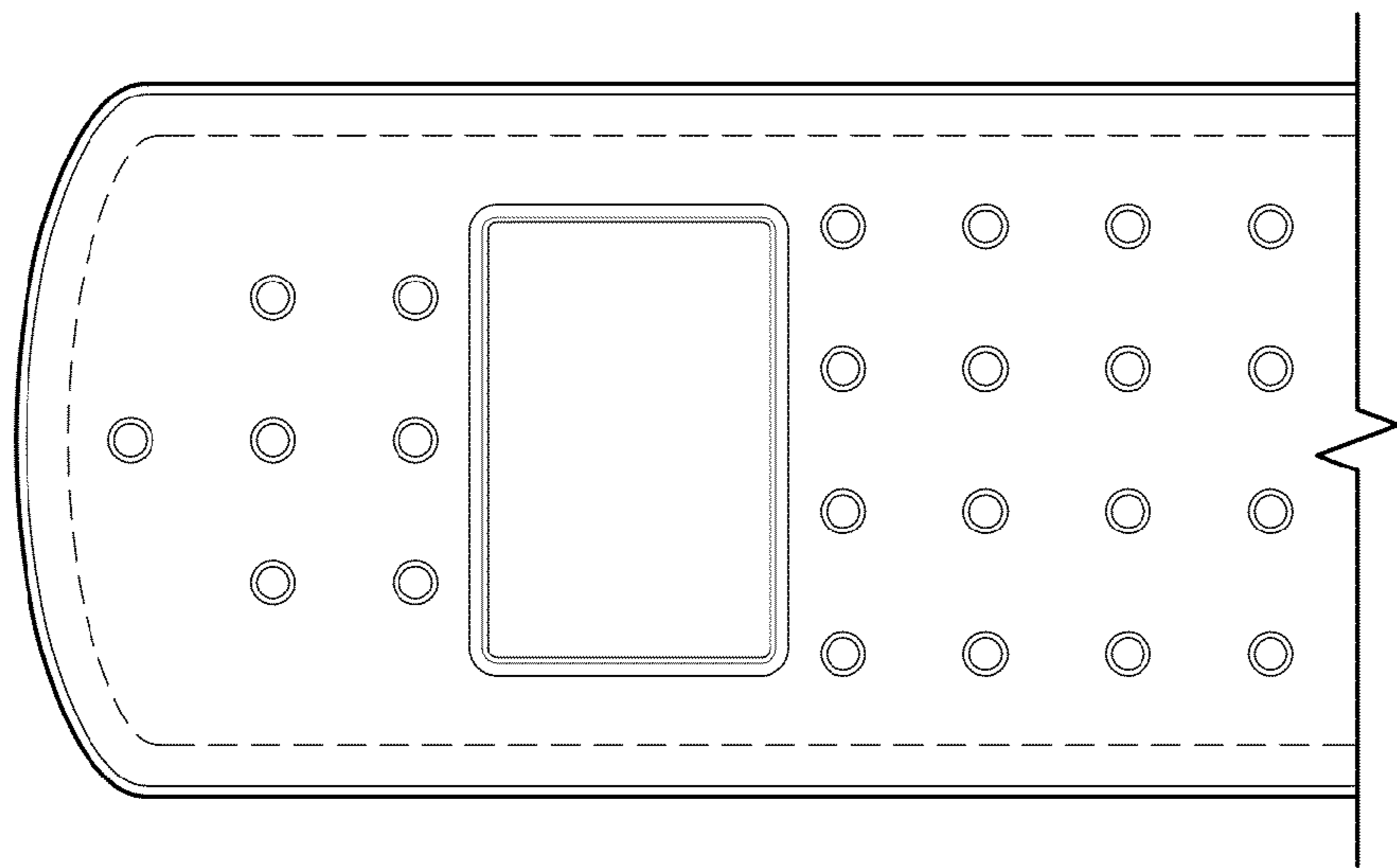
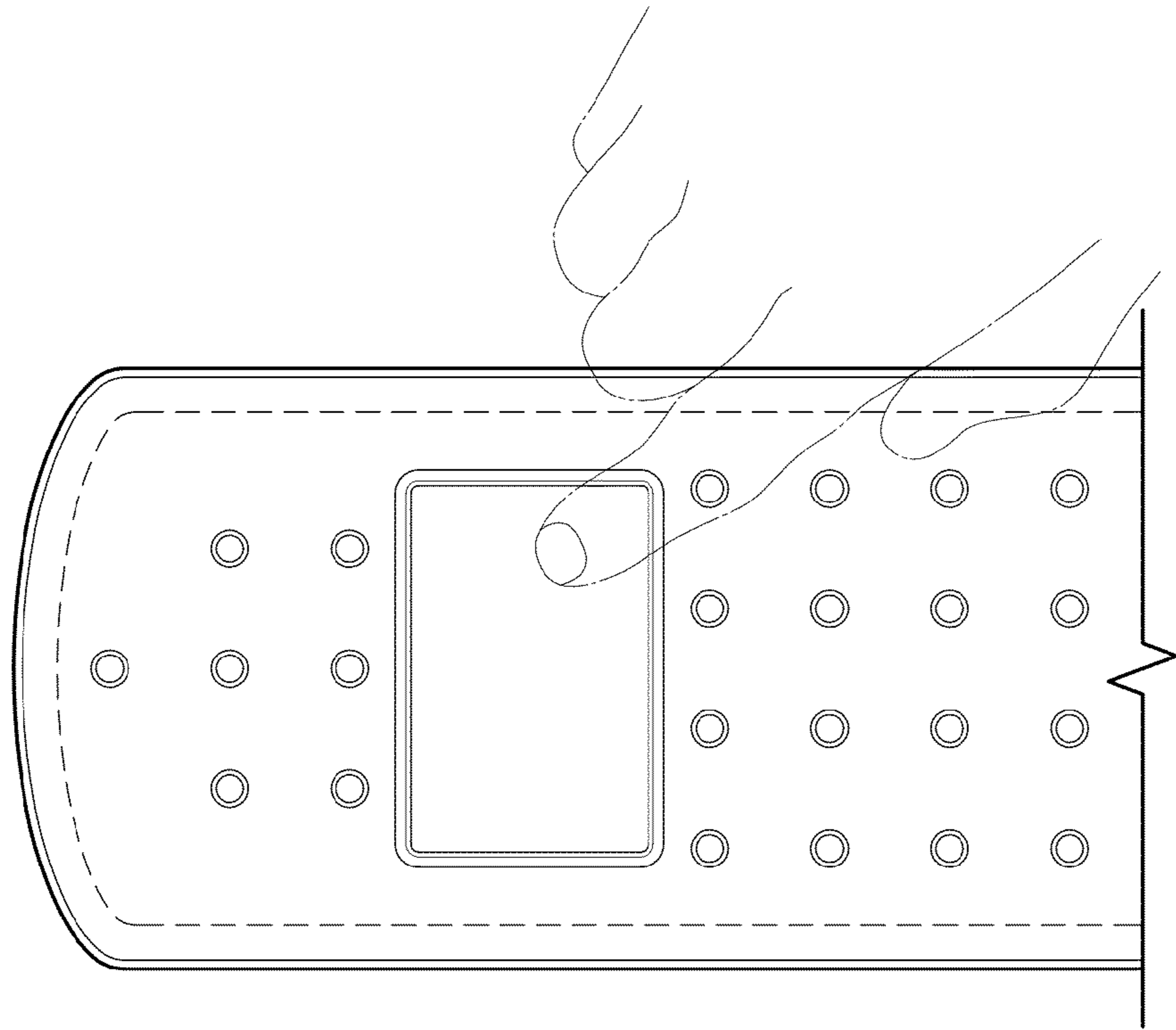
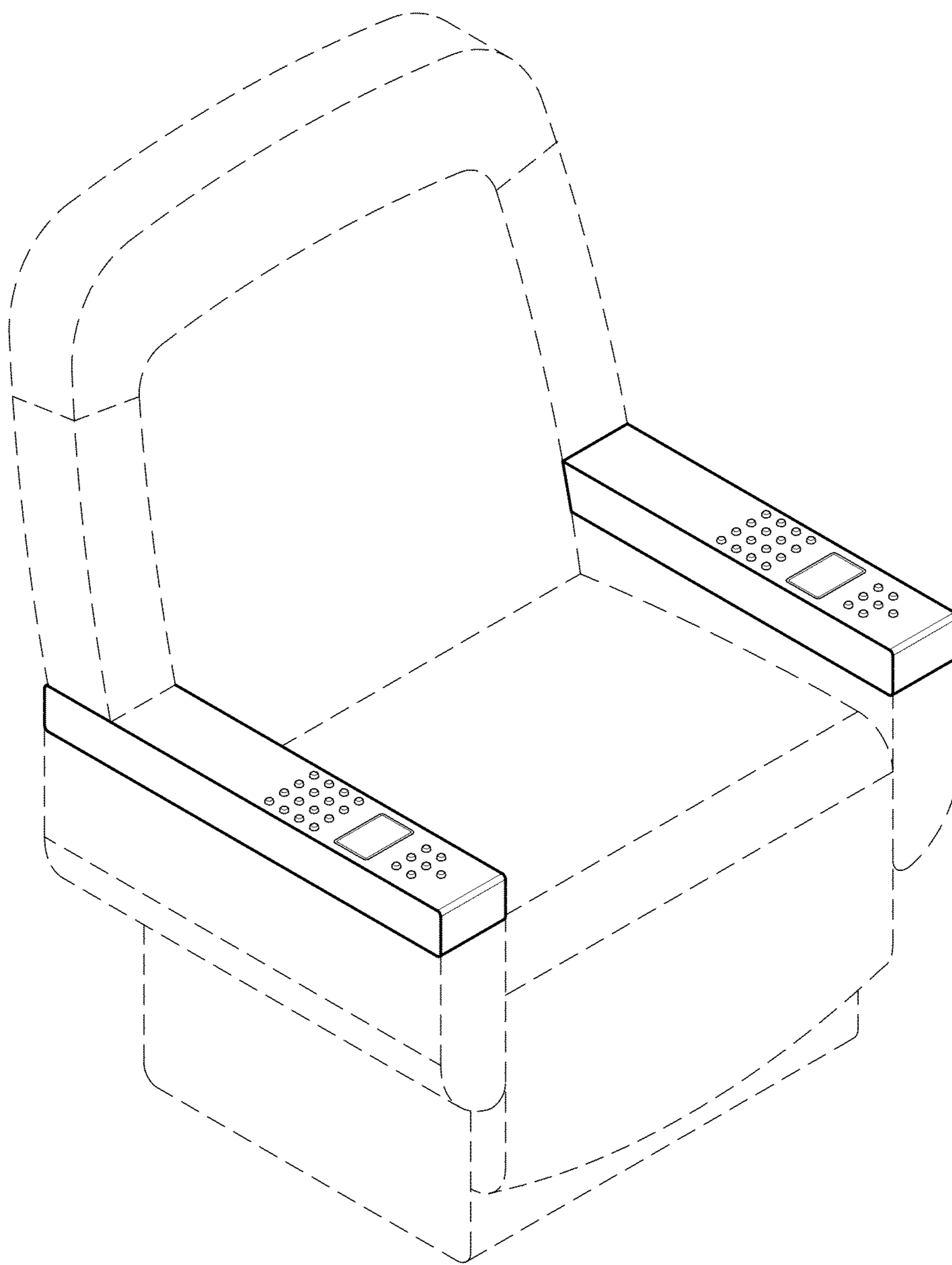
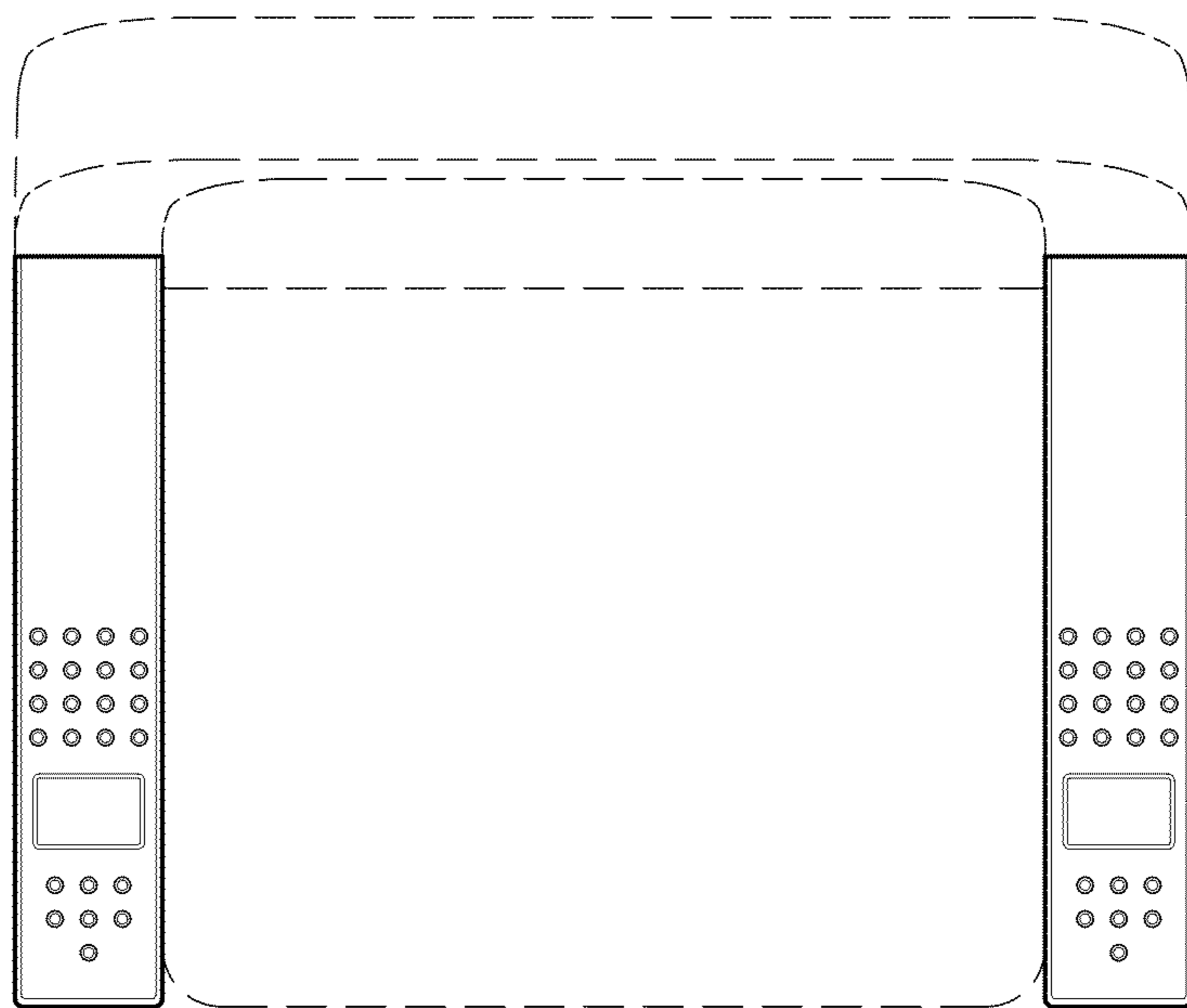


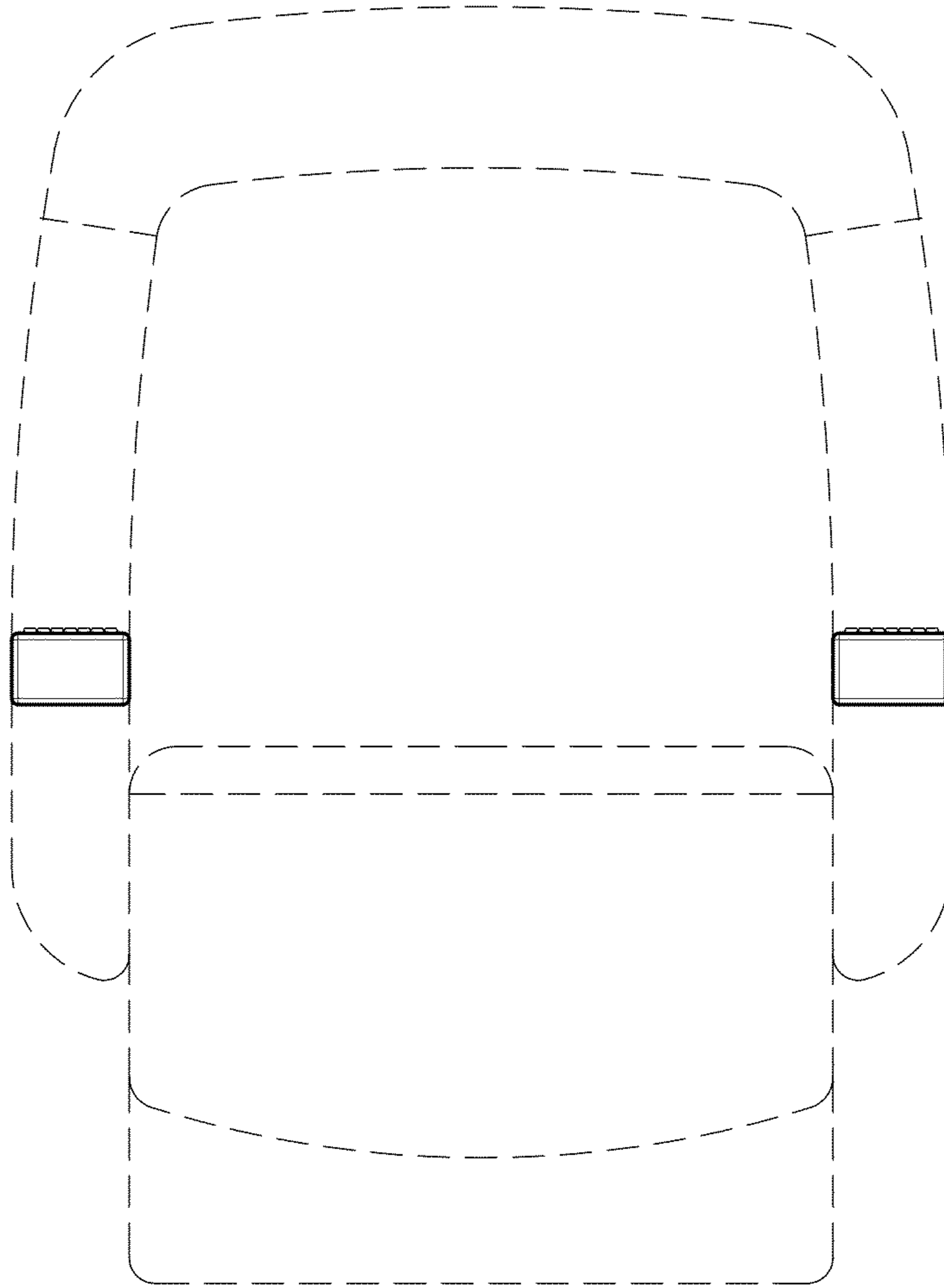
FIG. 8



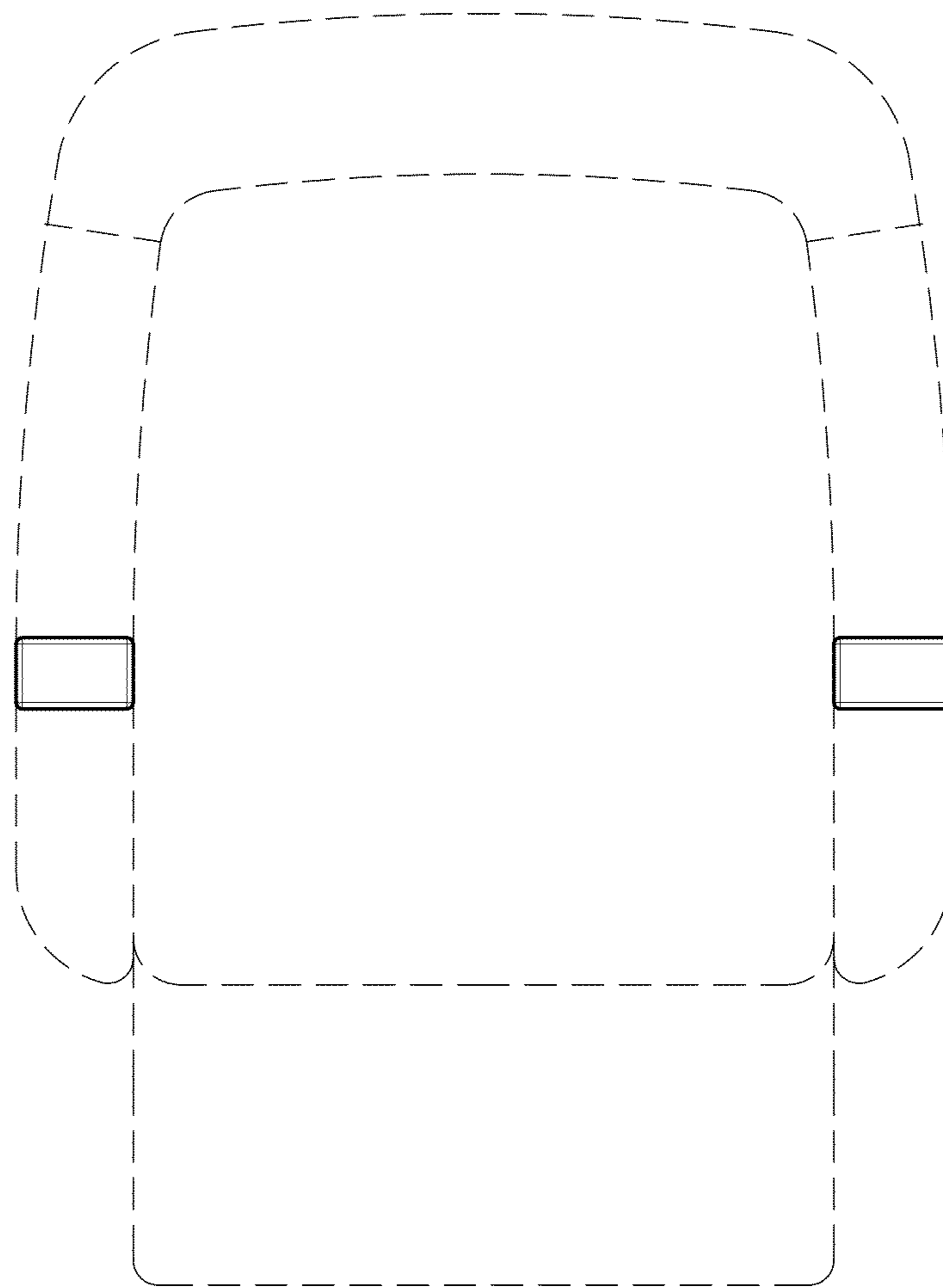
*FIG. 9*



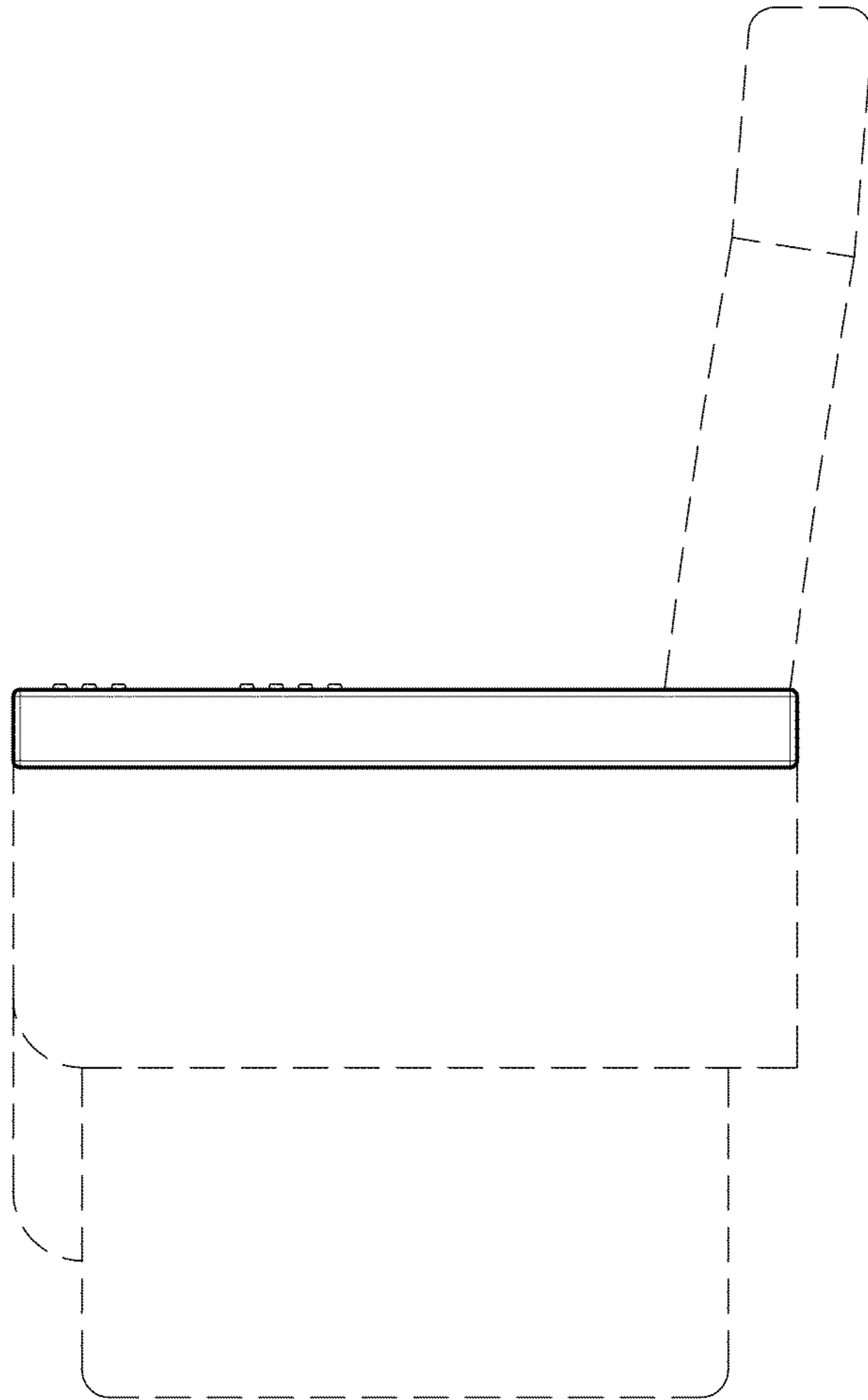
*FIG. 10*



*FIG. 11*

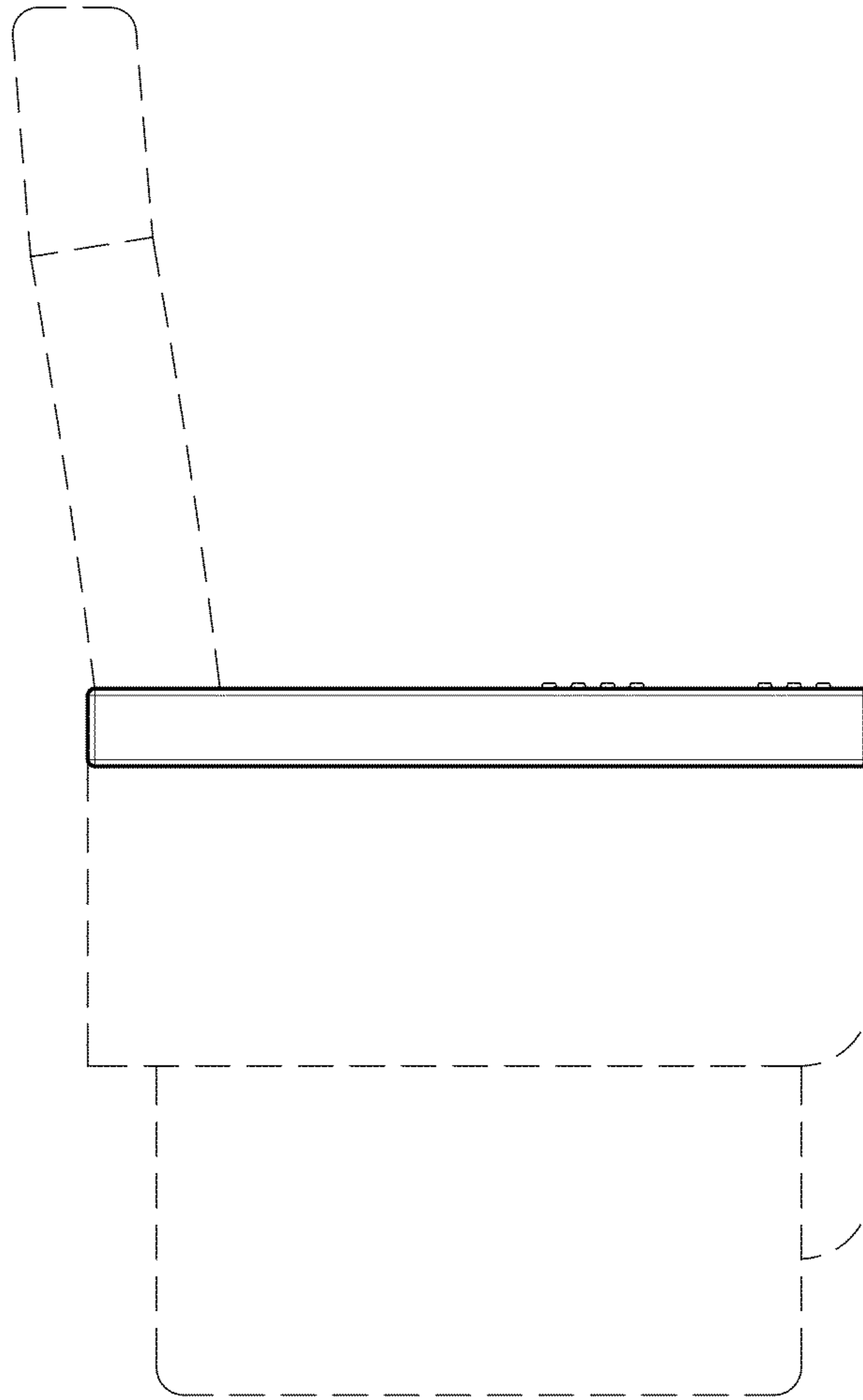


*FIG. 12*



*FIG. 13*





*FIG. 14*