



US00D702066S

(12) **United States Design Patent**
Maddux

(10) **Patent No.:** **US D702,066 S**
(45) **Date of Patent:** **** Apr. 8, 2014**

- (54) **FOOD BAR WITH CABINET**
- (75) Inventor: **Larry Maddux**, Westminster, CA (US)
- (73) Assignee: **Cambro Manufacturing Co.**,
Huntington Beach, CA (US)
- (**) Term: **14 Years**
- (21) Appl. No.: **29/417,575**
- (22) Filed: **Apr. 5, 2012**
- (51) **LOC (10) Cl.** **06-04**
- (52) **U.S. Cl.**
USPC **D6/699.3**
- (58) **Field of Classification Search**
USPC D6/699, 699.2, 699.3, 699.5; 312/283,
312/284, 140.1, 236, 116; D15/79
See application file for complete search history.

- 5,551,774 A * 9/1996 Campbell et al. 312/284
- D570,640 S * 6/2008 Brunner D7/332
- D615,323 S * 5/2010 Maddux et al. D6/481
- D620,730 S * 8/2010 Maddux et al. D6/481

* cited by examiner

Primary Examiner — Janice Seeger

(74) *Attorney, Agent, or Firm* — George F. Bethel

(57) **CLAIM**

I claim the ornamental design for a food bar with cabinet, as shown and described.

DESCRIPTION

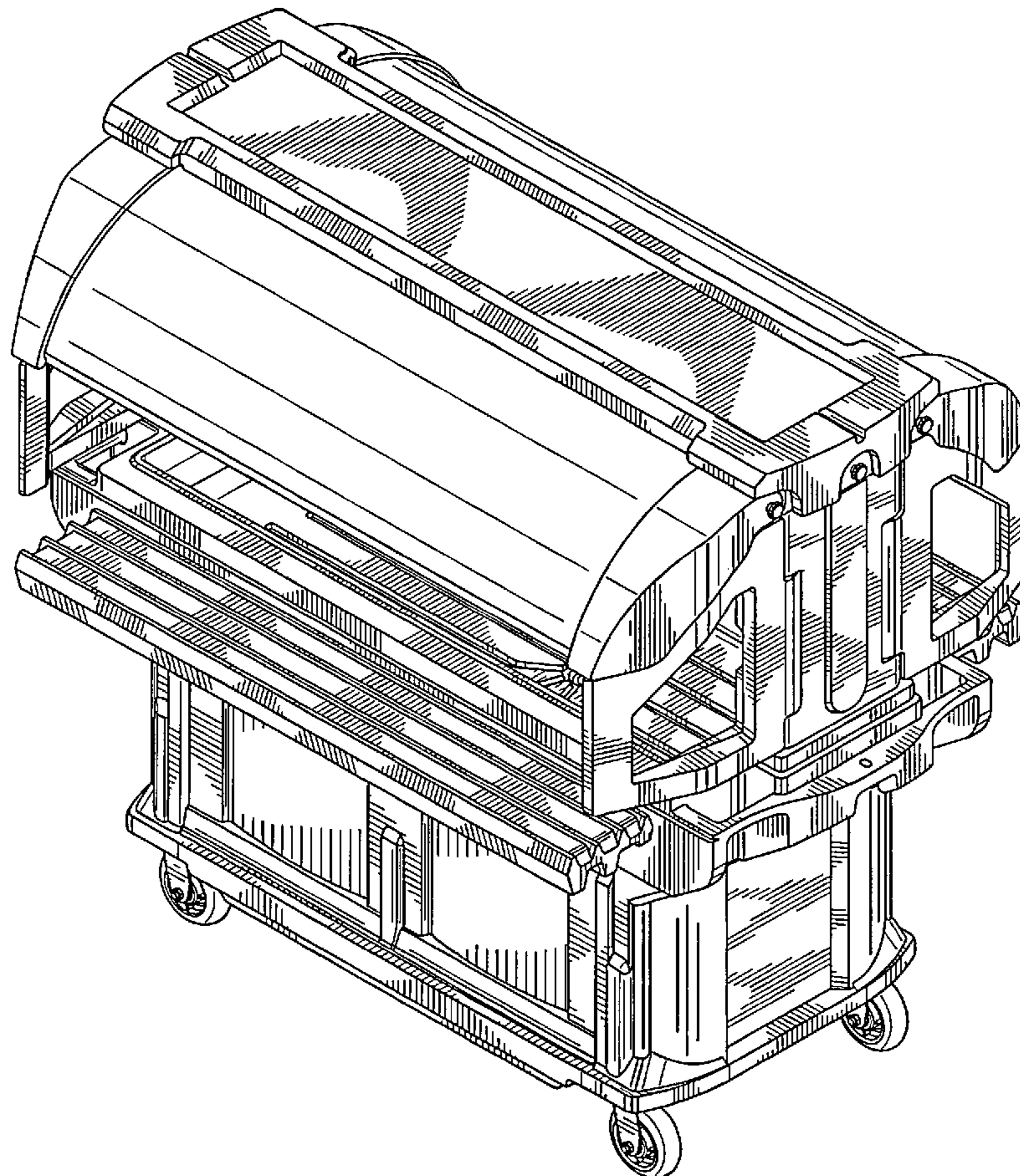
FIG. 1 shows a frontal perspective view of the food bar with cabinet.
 FIG. 2 shows front elevation view.
 FIG. 3 shows a right side elevation view.
 FIG. 4 shows a top plan view.
 FIG. 5 shows a left side elevation view.
 FIG. 6 shows a rear elevation view; and,
 FIG. 7 shows a bottom plan view of the food bar with cabinet.
 The broken lines are for environmental purposes only and form no part of the claimed design.

(56) **References Cited**

U.S. PATENT DOCUMENTS

- 3,162,495 A * 12/1964 Swift 108/23
- 4,572,598 A * 2/1986 Moore, Jr. 312/284
- D300,591 S * 4/1989 Marchais D6/481
- D326,024 S * 5/1992 Boyd et al. D6/480

1 Claim, 7 Drawing Sheets



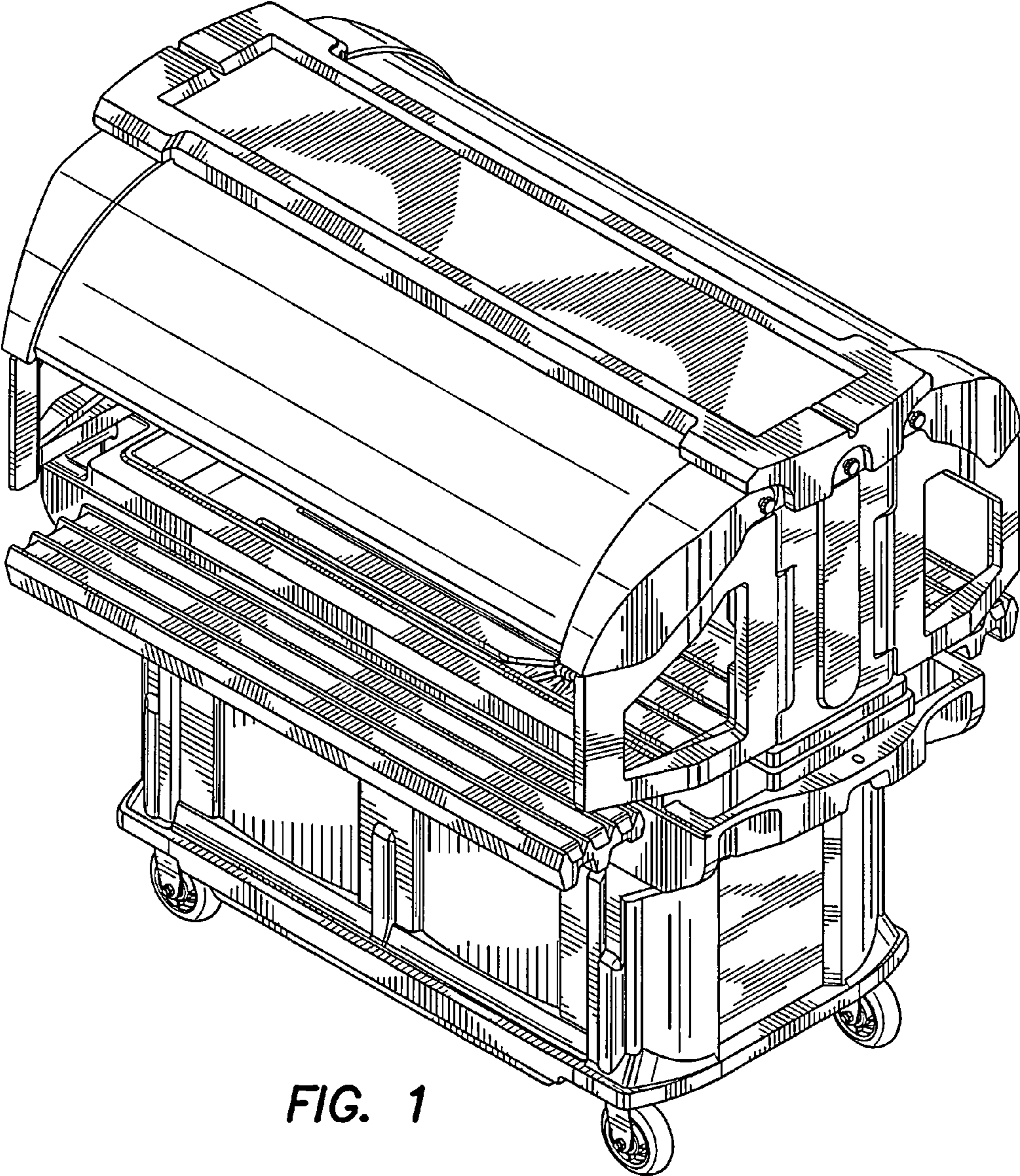


FIG. 1

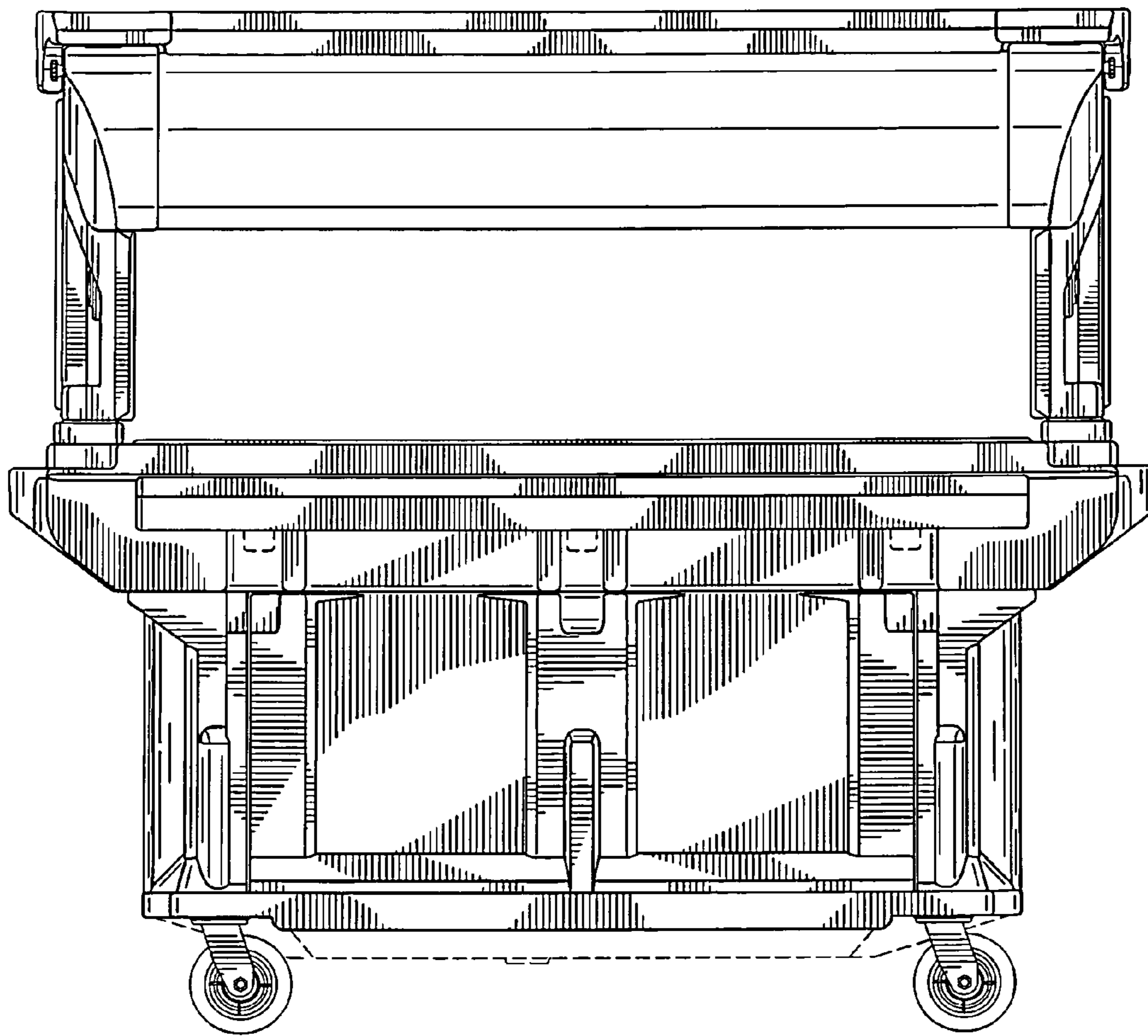


FIG. 2

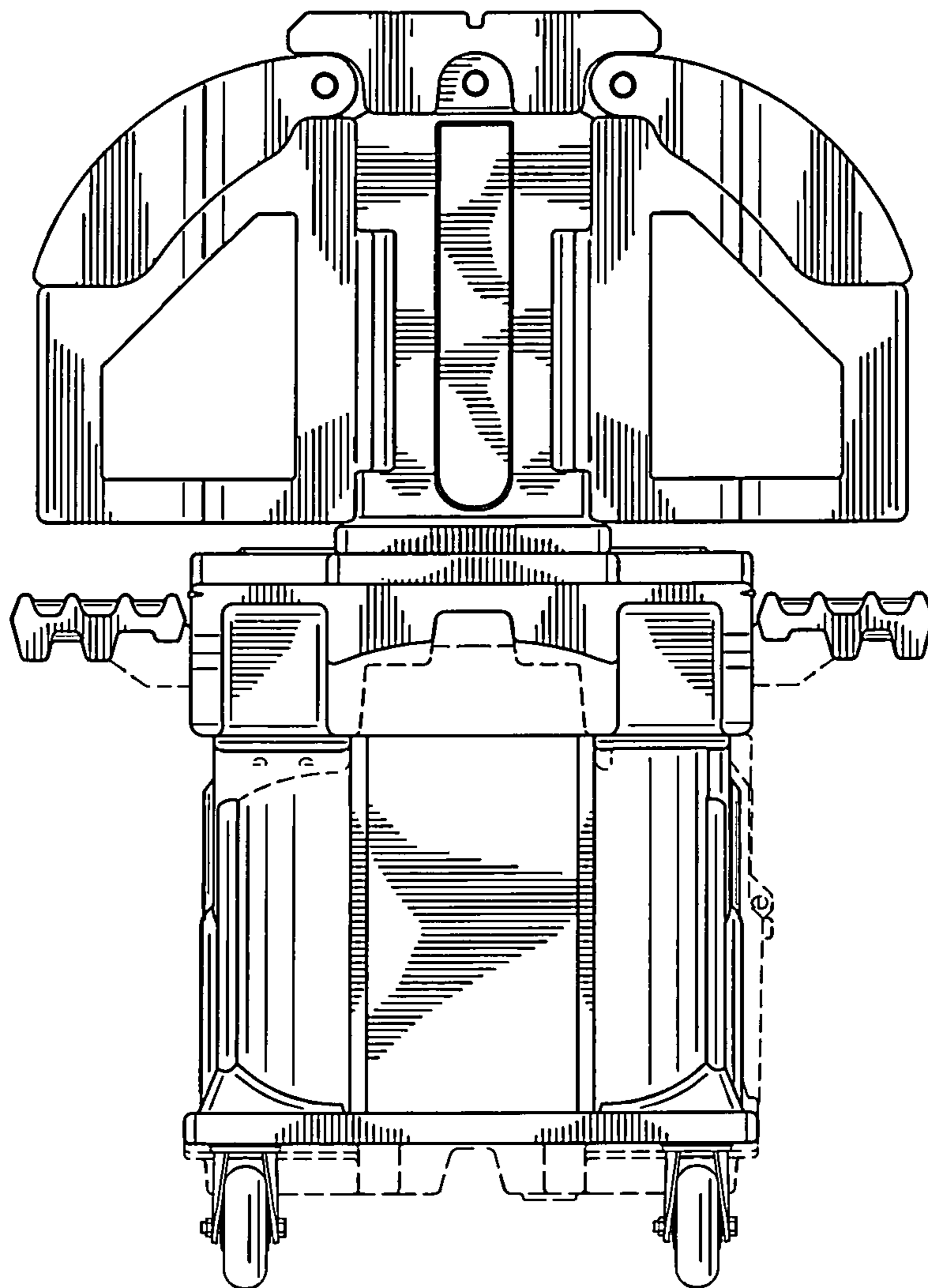


FIG. 3

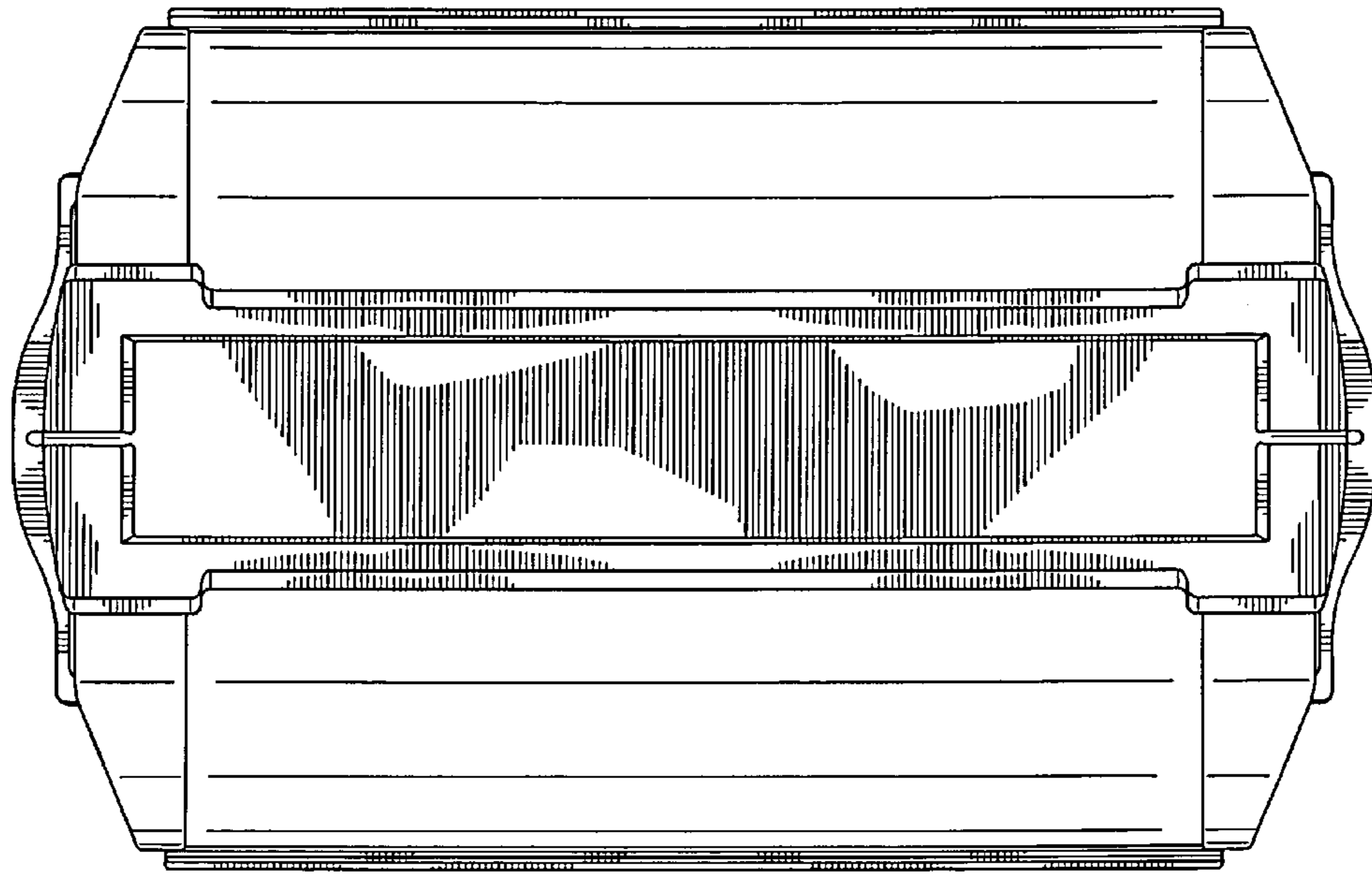


FIG. 4

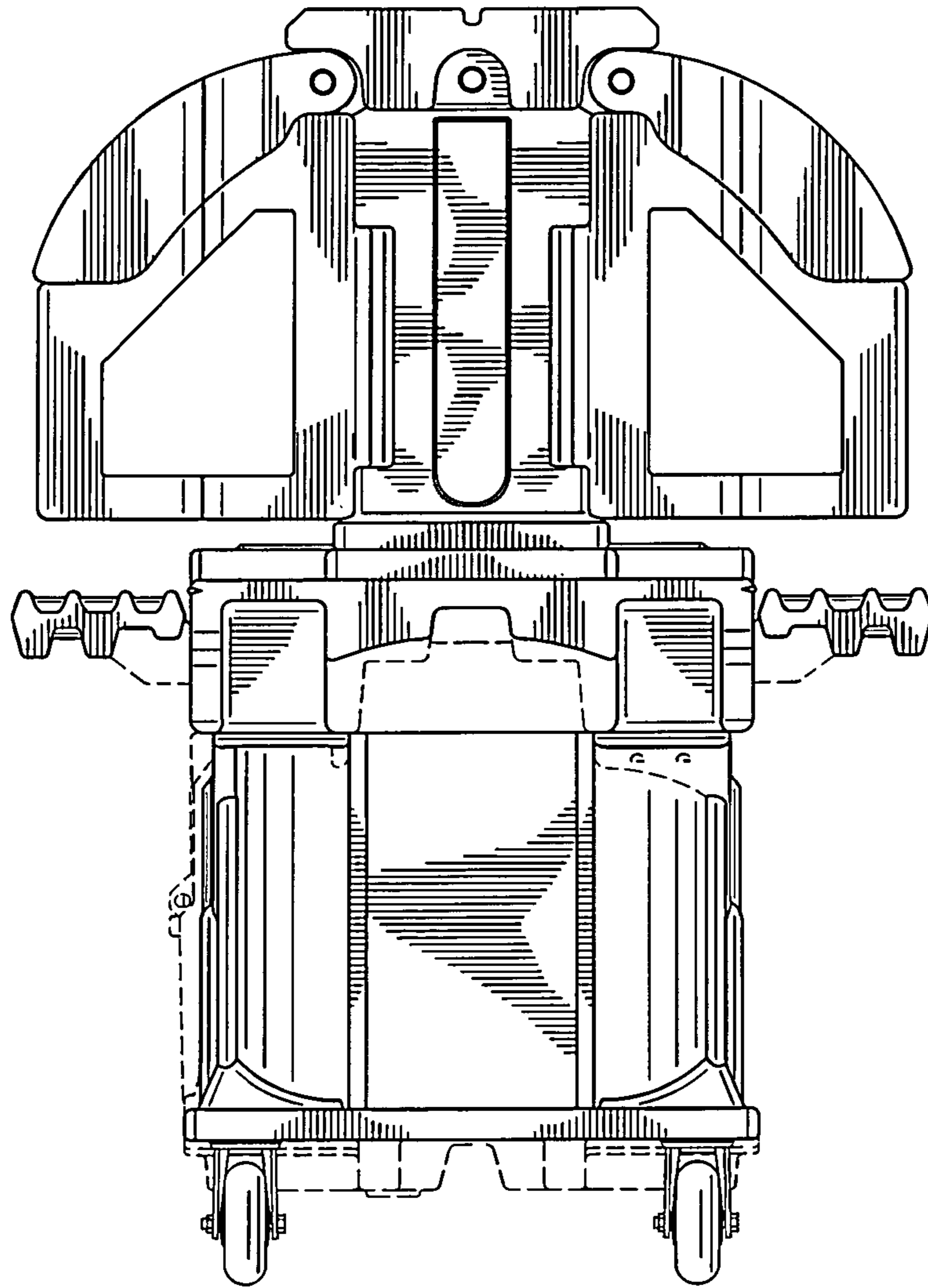


FIG. 5

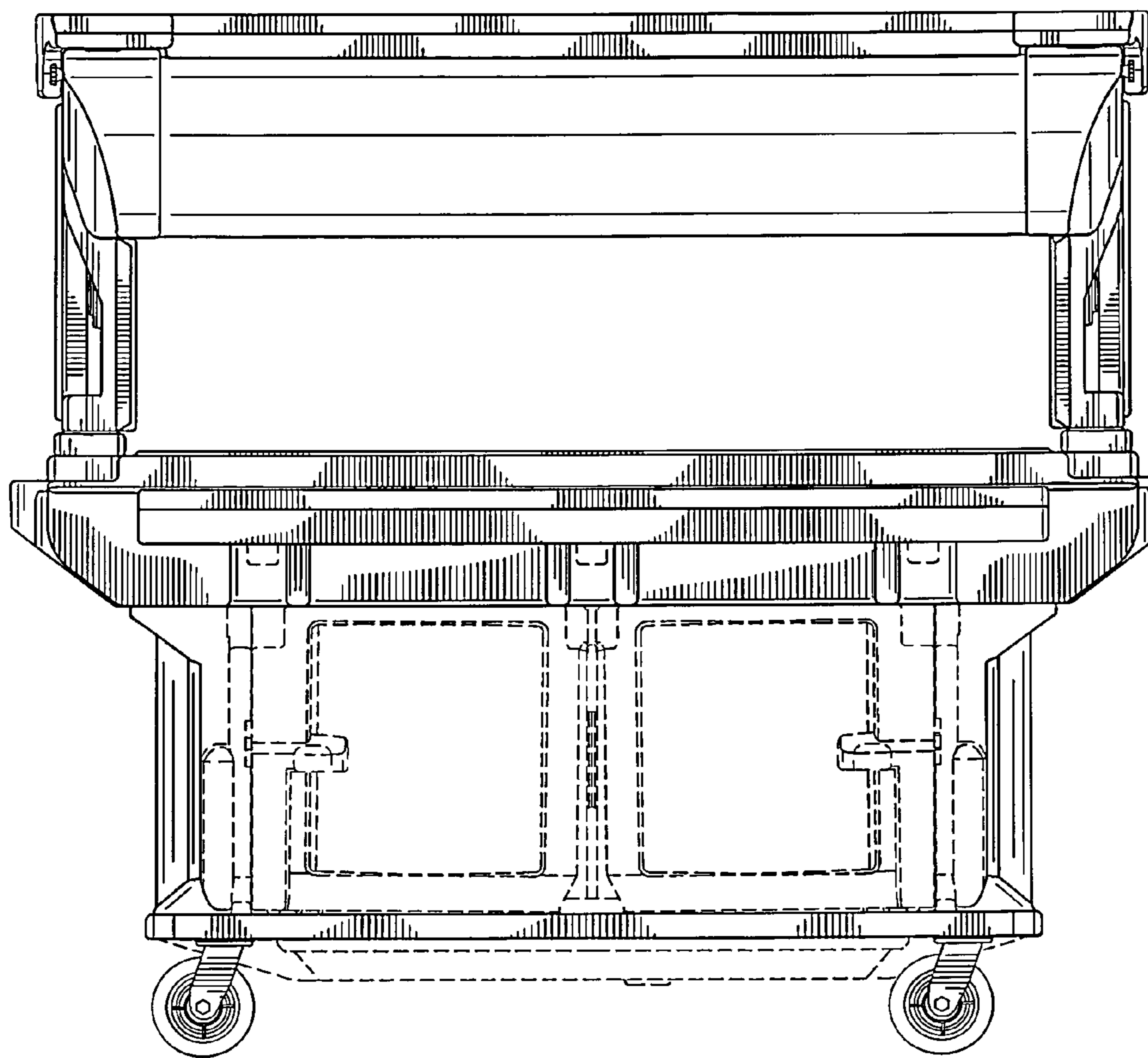


FIG. 6

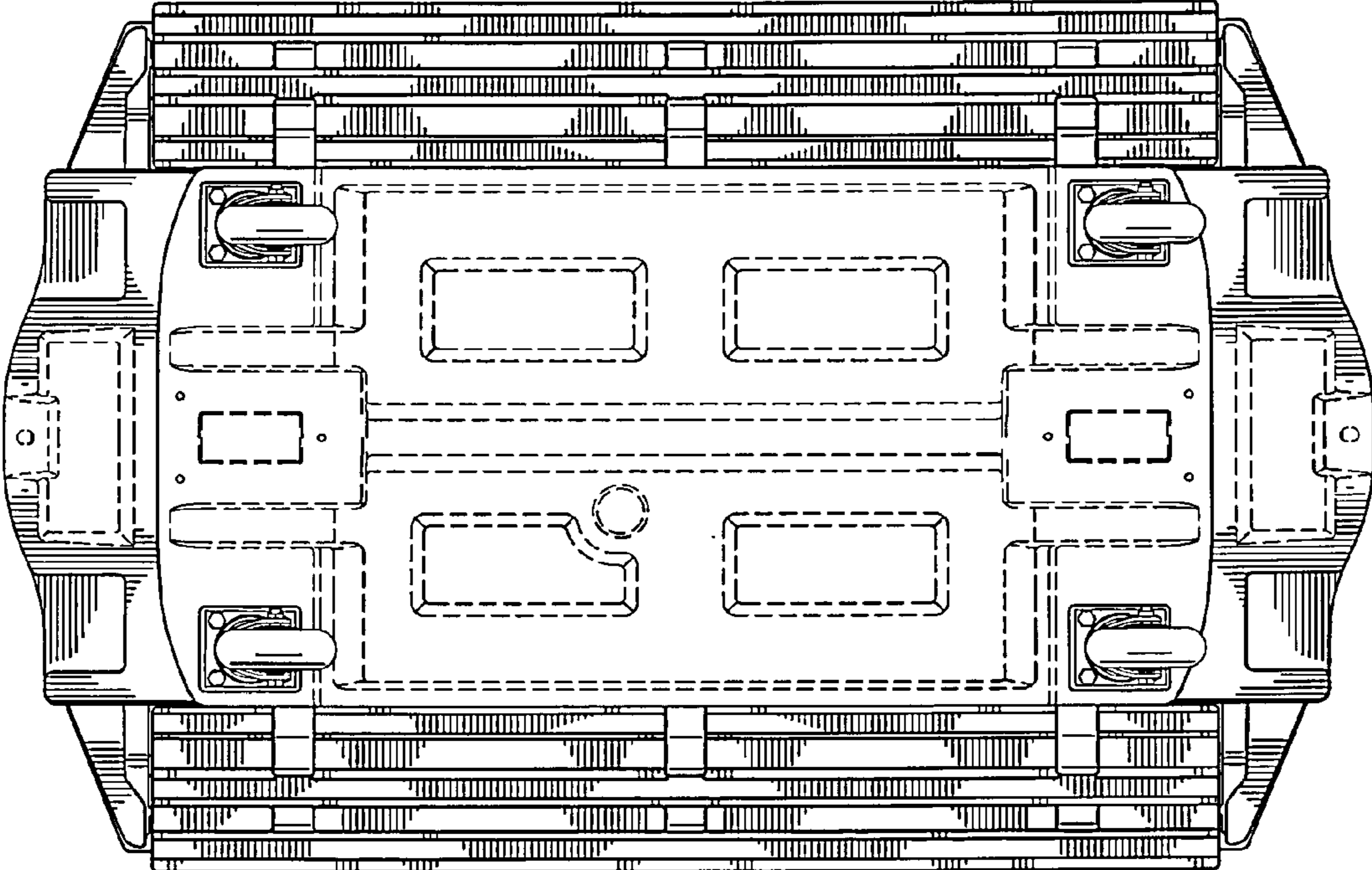


FIG. 7