



US00D702063S

(12) **United States Design Patent**
Helser

(10) **Patent No.:** **US D702,063 S**

(45) **Date of Patent:** **** Apr. 8, 2014**

(54) **TV STAND**

(71) Applicant: **Chris Helser**, Surrey (CA)

(72) Inventor: **Chris Helser**, Surrey (CA)

(73) Assignee: **Corporate Images Holdings Ltd.**,
Surrey, British Columbia

(**) Term: **14 Years**

(21) Appl. No.: **29/475,108**

(22) Filed: **Nov. 28, 2013**

(51) **LOC (10) Cl.** **06-06**

(52) **U.S. Cl.**
USPC **D6/678.2**

(58) **Field of Classification Search**
USPC D6/470, 471, 474, 477-479, 460-461,
D6/468, 675, 675.1, 678, 678.1-678.2;
312/7.2, 9.1; 108/59, 91, 92, 96;
211/40, 41.12, 42, 49.1, 50, 85.2,
211/90.04, 187, 190

See application file for complete search history.

(56) **References Cited**

U.S. PATENT DOCUMENTS

D472,075 S *	3/2003	de Carolis	D6/479
D480,237 S *	10/2003	de Carolis	D6/474
D489,548 S *	5/2004	Malizia	D6/477
D491,753 S *	6/2004	deCarolis	D6/479
D493,982 S *	8/2004	deCarolis	D6/477
D497,060 S *	10/2004	Chang	D6/477
D498,946 S *	11/2004	Sexton	D6/479
D507,128 S *	7/2005	Choo	D6/477
D508,172 S *	8/2005	Malizia	D6/477
D516,838 S *	3/2006	Portnoy	D6/477
D516,840 S *	3/2006	deCarolis	D6/477
D517,350 S *	3/2006	Sexton	D6/479
D525,052 S *	7/2006	Malizia	D6/474
D525,054 S *	7/2006	Stenhouse et al.	D6/479

D572,944 S *	7/2008	Sexton	D6/477
D587,496 S *	3/2009	Weitz	D6/477
D590,637 S *	4/2009	Portnoy	D6/477
D591,089 S *	4/2009	Sexton	D6/479
D595,978 S *	7/2009	Portnoy et al.	D6/477
D612,172 S *	3/2010	Portnoy	D6/477
D619,827 S *	7/2010	Sculler et al.	D6/477
D630,870 S *	1/2011	Sexton	D6/477
D639,089 S *	6/2011	Sexton	D6/477
D641,183 S *	7/2011	Portnoy	D6/474
D641,995 S *	7/2011	Zambelli	D6/474
D643,649 S *	8/2011	Chung	D6/477
D644,043 S *	8/2011	Portnoy	D6/474
D646,910 S *	10/2011	Portnoy	D6/474
D648,573 S *	11/2011	Sculler	D6/477
D651,826 S *	1/2012	Tseng et al.	D6/477
D653,057 S *	1/2012	Sexton	D6/477
D662,728 S *	7/2012	Portnoy	D6/477
D662,729 S *	7/2012	Zambelli	D6/479
D663,551 S *	7/2012	Zambelli et al.	D6/477
D666,029 S *	8/2012	Chen	D6/495
D671,337 S *	11/2012	Sexton	D6/474
D671,338 S *	11/2012	Sexton	D6/477
D690,141 S *	9/2013	Zambelli	D6/678.1
D690,542 S *	10/2013	Chung	D6/678.1
D696,539 S *	12/2013	Zambelli	D6/662.1

* cited by examiner

Primary Examiner — Kelley Donnelly

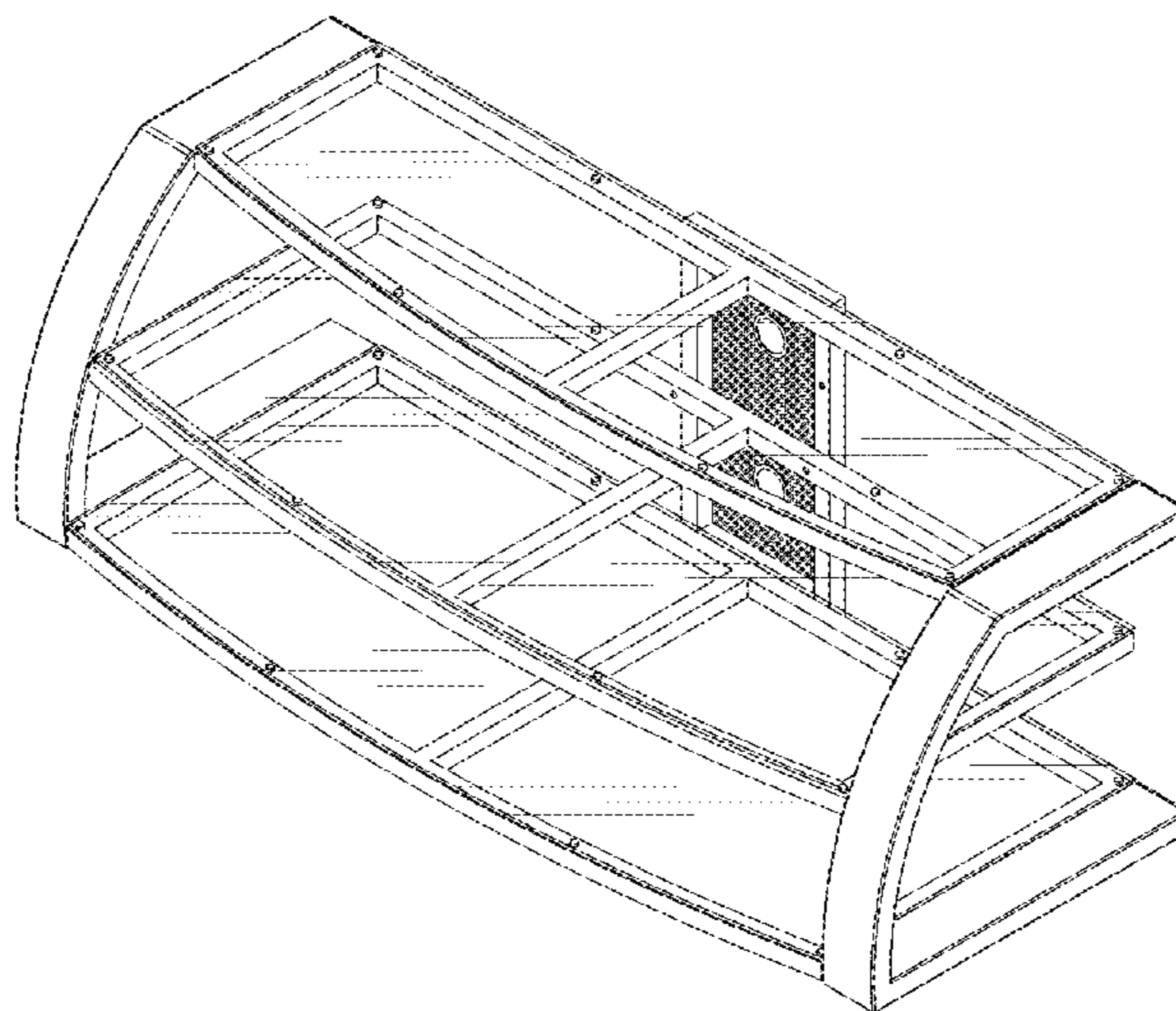
(57) **CLAIM**

The ornamental appearance for a TV stand, as shown and described.

DESCRIPTION

FIG. 1 is a perspective view of a TV stand showing my new design;
FIG. 2 is a front elevational view thereof;
FIG. 3 is a rear elevational view thereof;
FIG. 4 is a right side elevational view thereof;
FIG. 5 is a left side elevational view thereof; and,
FIG. 6 is a top plan view thereof.

1 Claim, 4 Drawing Sheets



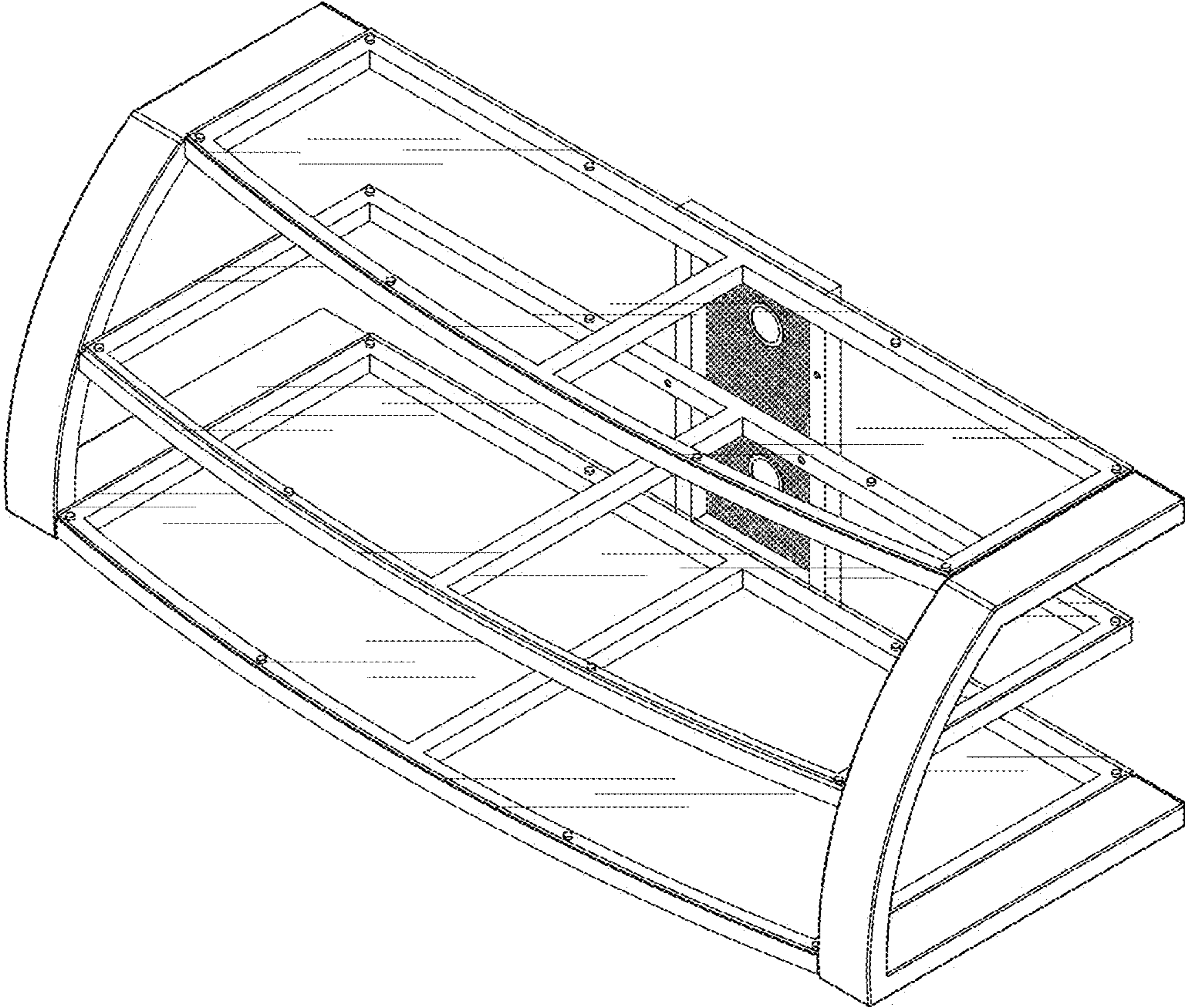


Fig. 1

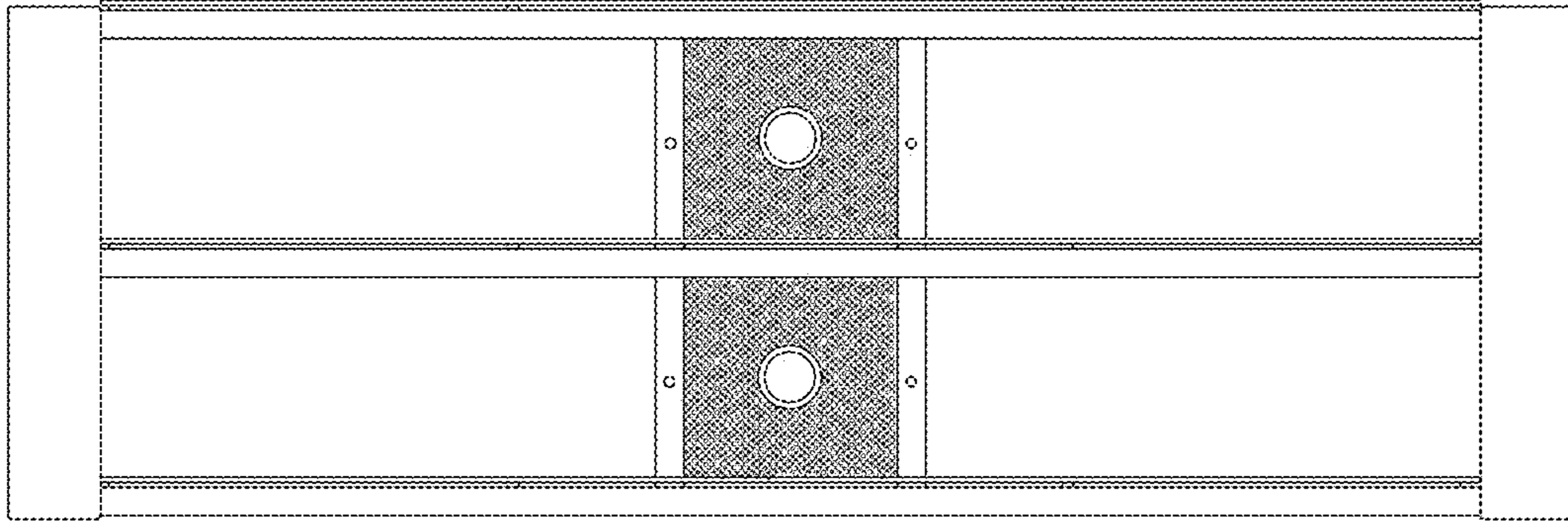


Fig. 2

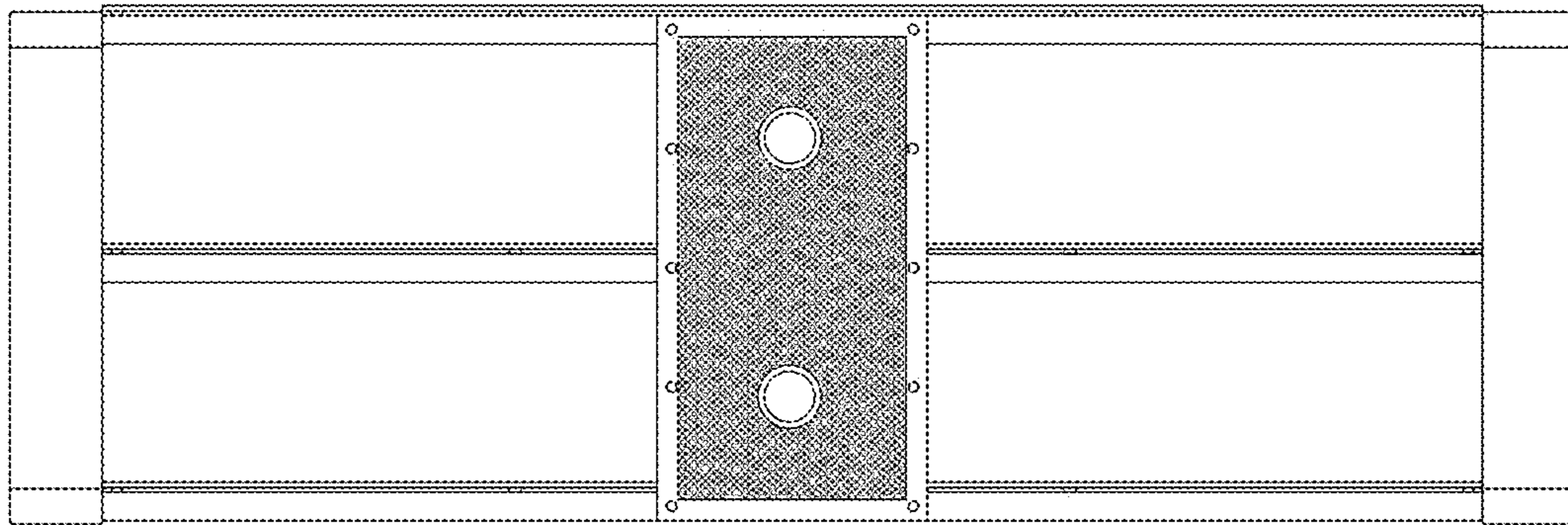


Fig. 3

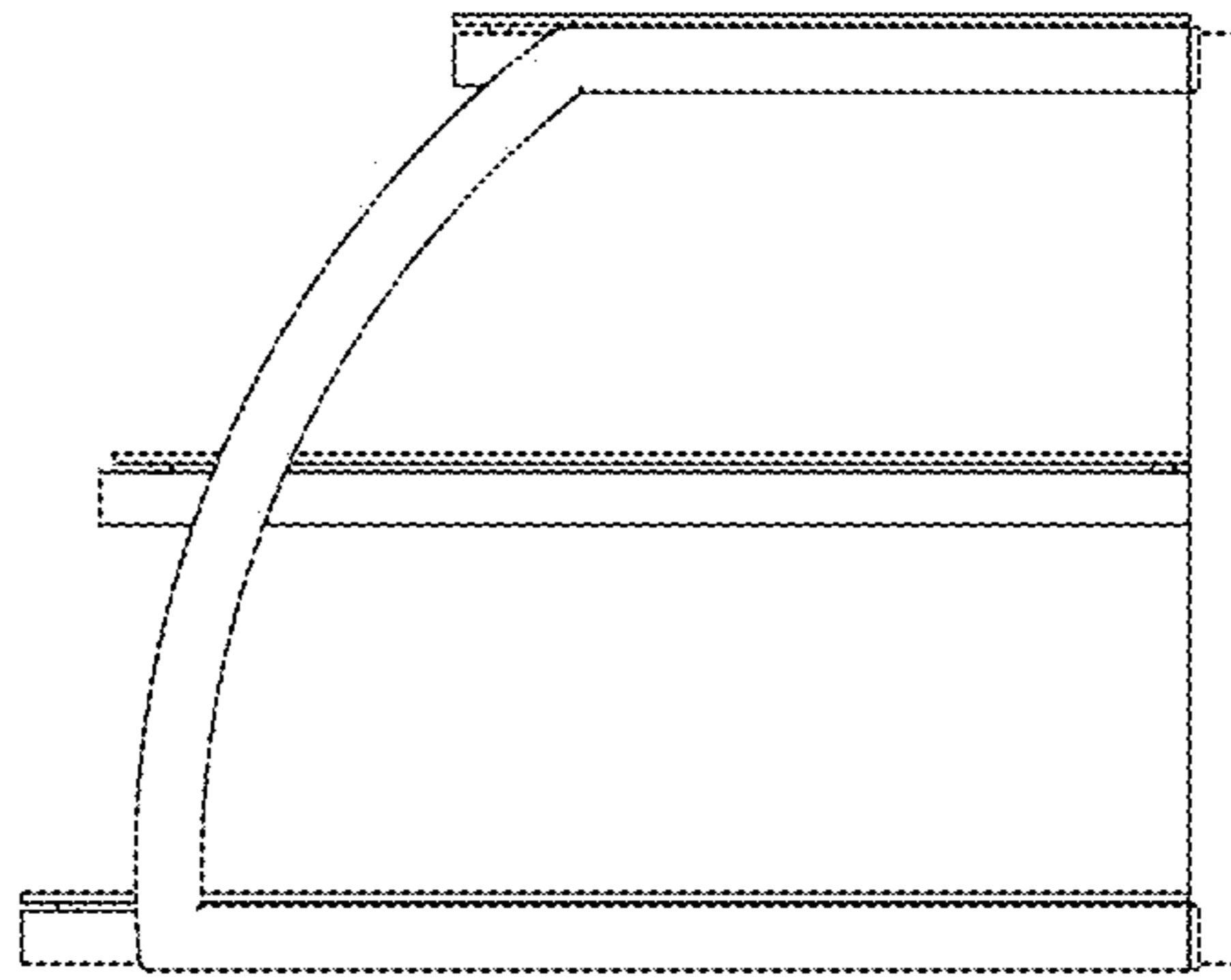


Fig. 4

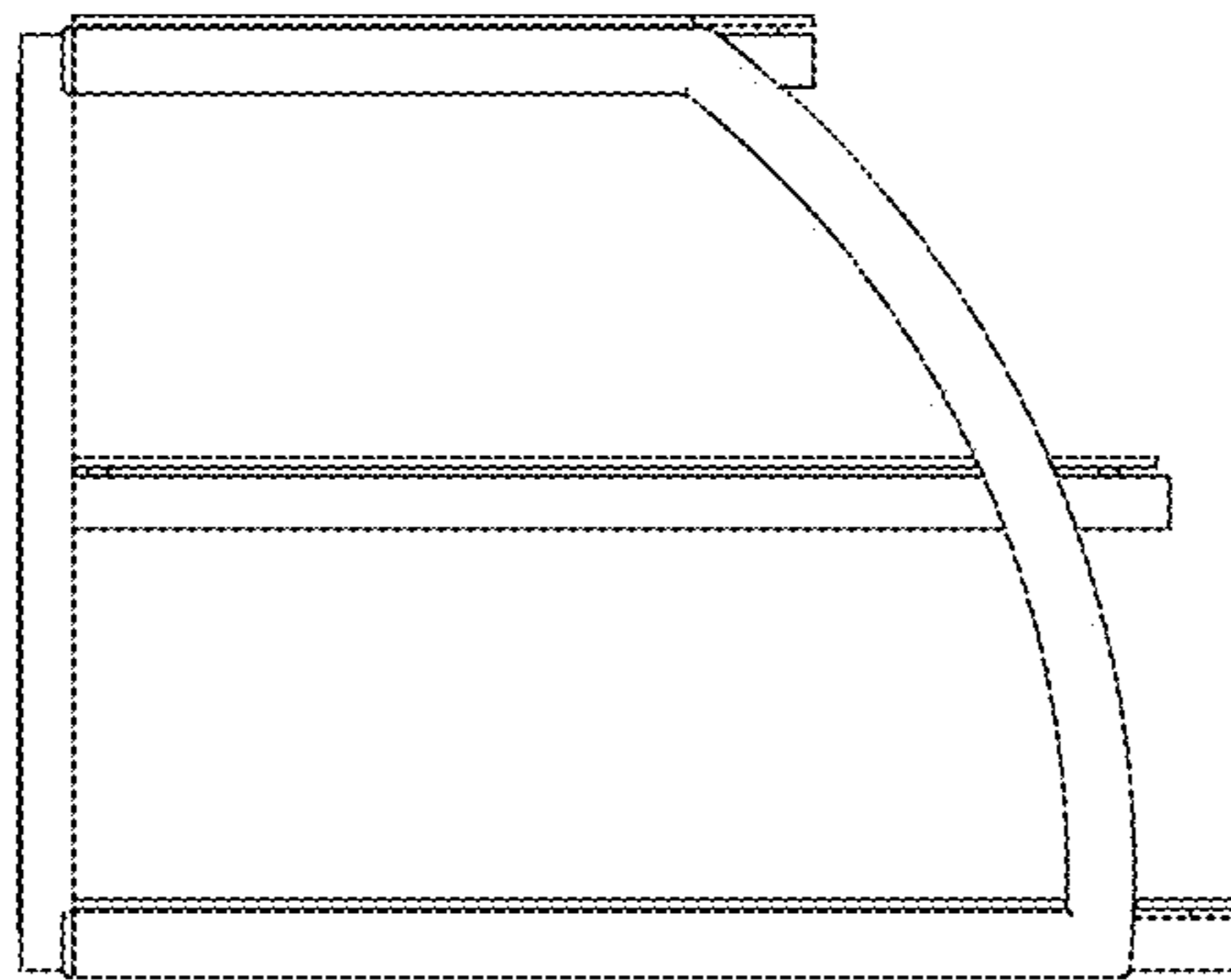


Fig. 5

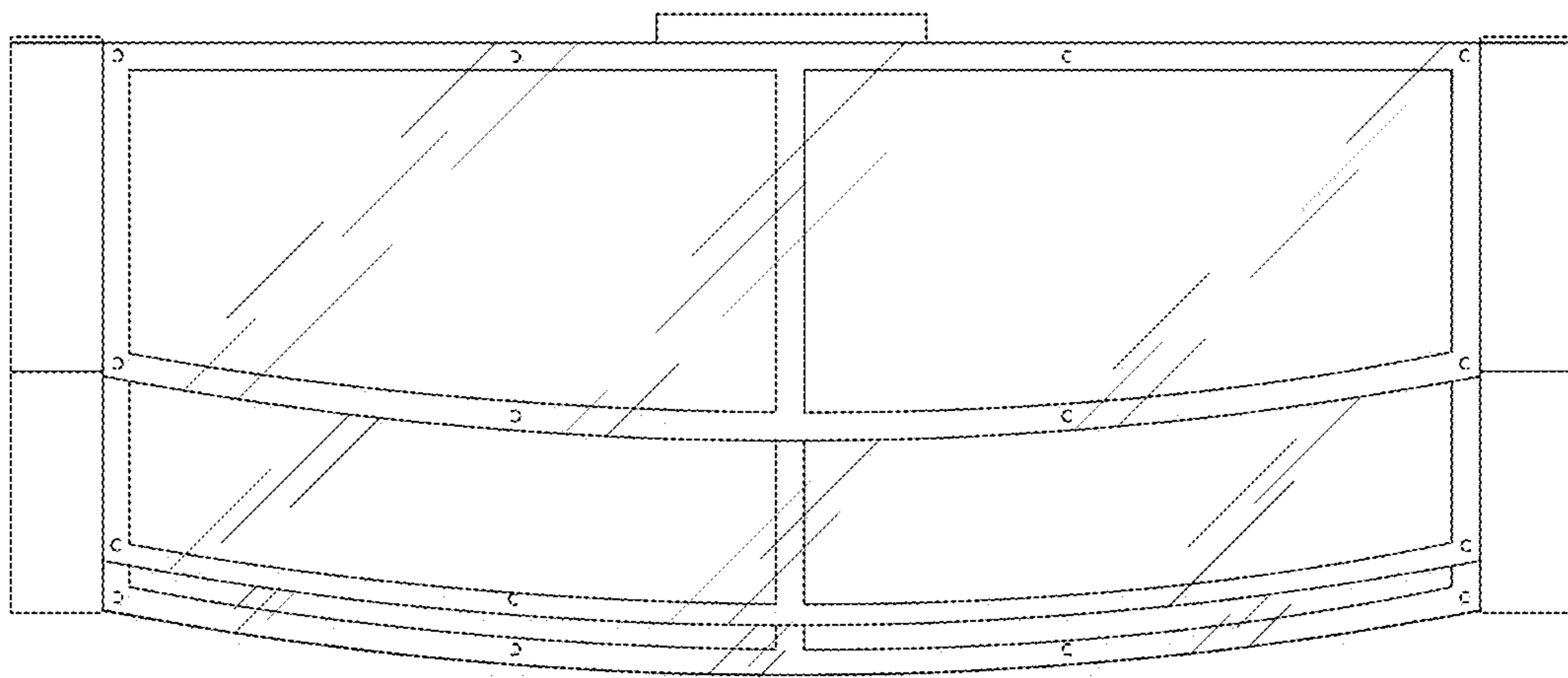


Fig. 6