



US00D702056S

(12) **United States Design Patent**  
**Palkiewicz et al.**

(10) **Patent No.:** **US D702,056 S**  
(45) **Date of Patent:** **\*\* Apr. 8, 2014**

(54) **FISHING ROD HOLDER WITH SUCTION CUPS**

(71) Applicants: **Larry Palkiewicz**, Monroe Township, NJ (US); **J. Keith Piskorski**, South Amboy, NJ (US)

(72) Inventors: **Larry Palkiewicz**, Monroe Township, NJ (US); **J. Keith Piskorski**, South Amboy, NJ (US)

(\*\*) Term: **14 Years**

(21) Appl. No.: **29/467,810**

(22) Filed: **Sep. 24, 2013**

(51) **LOC (10) Cl.** ..... **08-08**

(52) **U.S. Cl.**  
USPC ..... **D6/552**

(58) **Field of Classification Search**

USPC ..... D6/552, 553, 567, 396; D22/109, 147, D22/148; 211/13.1, 60.1, 64, 70.2, 70.6, 211/70.8; 248/512, 520, 538; 43/21.2

See application file for complete search history.

(56) **References Cited**

U.S. PATENT DOCUMENTS

4,043,531	A	8/1977	Green	
D255,259	S *	6/1980	Nelson	D22/147
5,632,427	A	5/1997	Gattuso et al.	
D381,392	S *	7/1997	Darling	D22/148
5,715,952	A	2/1998	Chichetti	
5,996,273	A	12/1999	George	
D458,878	S *	6/2002	Greco	D6/552
6,898,893	B1 *	5/2005	Mukdaprakorn	43/21.2
6,962,018	B1 *	11/2005	King	43/21.2
7,219,464	B1	5/2007	Kujawa	
D598,689	S *	8/2009	McDonald	D6/552
7,707,765	B2	5/2010	Liao	
7,937,883	B2	5/2011	Roemer et al.	
D662,745	S *	7/2012	Zalewski	D6/552
D677,091	S *	3/2013	Monro	D6/552

\* cited by examiner

Primary Examiner — Brian N Vinson

(74) Attorney, Agent, or Firm — Ezra Sutton

(57) **CLAIM**

The ornamental designs for a fishing rod holder with suction cups, as shown and described.

**DESCRIPTION**

FIG. 1 is a perspective view of a first embodiment of the fishing rod holder showing one fishing rod holder mounted on a base having two suction cups for mounting the base, and the rod holder is adjustable to the left or right, and is also adjustable forward and back;

FIG. 2 is a left side view thereof;

FIG. 3 is a right side view thereof;

FIG. 4 is a front view thereof;

FIG. 5 is a rear view thereof;

FIG. 6 is a top view thereof;

FIG. 7 is a bottom view thereof;

FIG. 8 is a reduced perspective view thereof, with the broken-line disclosure of a fishing rod and boat fragment for illustrative purposes only and forming no part of the claimed design.

FIG. 9 is a perspective view of a second embodiment of the fishing rod holder showing two fishing rod holders mounted on a base having two suction cups for mounting the base, and each rod holder is adjustable to the left or right, and is also adjustable forward and back;

FIG. 10 is a left side view thereof;

FIG. 11 is a right side view thereof;

FIG. 12 is a front view thereof;

FIG. 13 is a rear view thereof;

FIG. 14 is a top view thereof;

FIG. 15 is a bottom view thereof;

FIG. 16 is a perspective view of the fishing rod holder showing three fishing rod holders mounted on a base having two suction cups for mounting the base, and each rod holder is adjustable to the left or right, and is also adjustable forward and back;

FIG. 17 is a left side view thereof;

FIG. 18 is a right side view thereof;

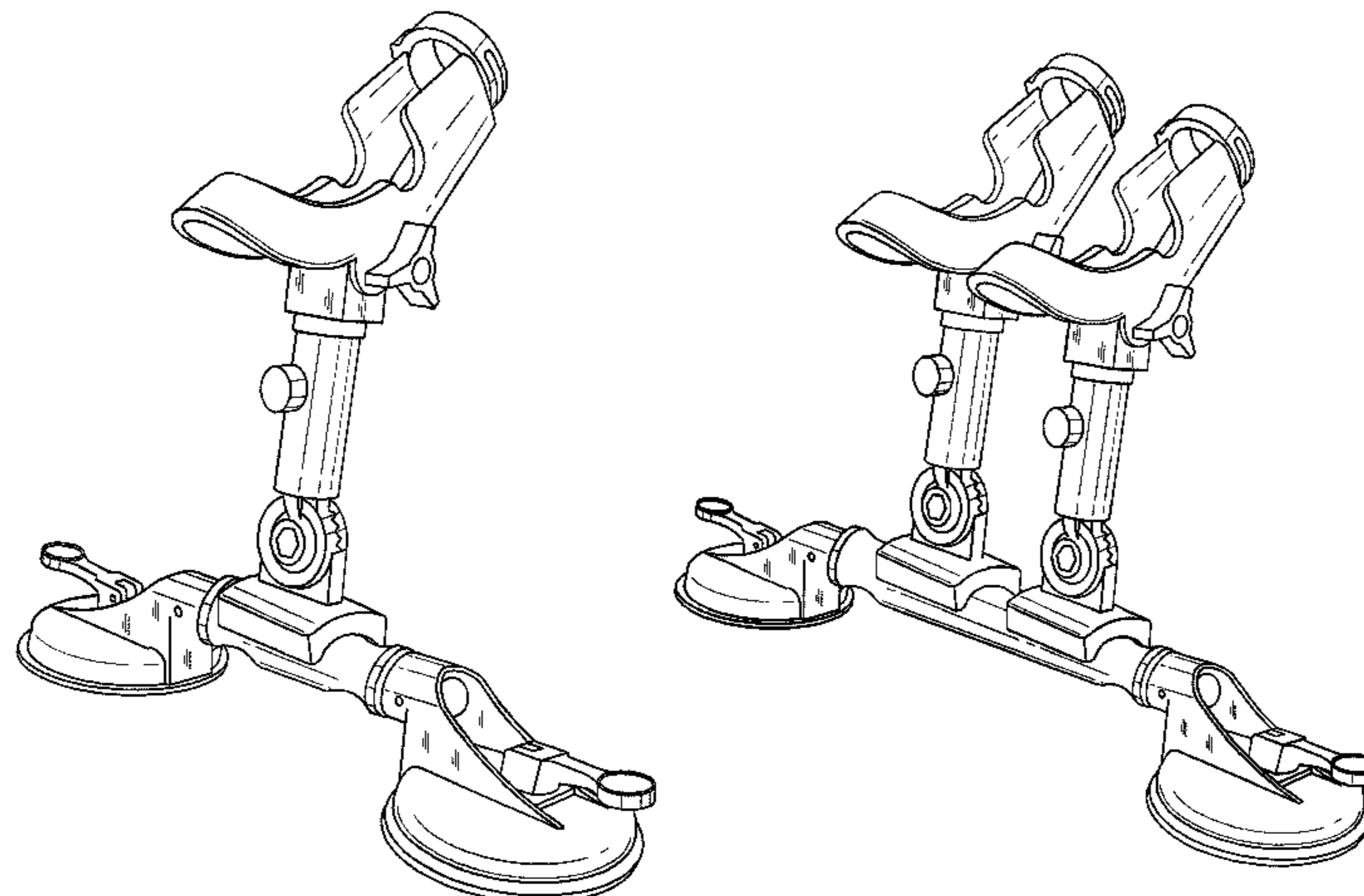
FIG. 19 is a front view thereof;

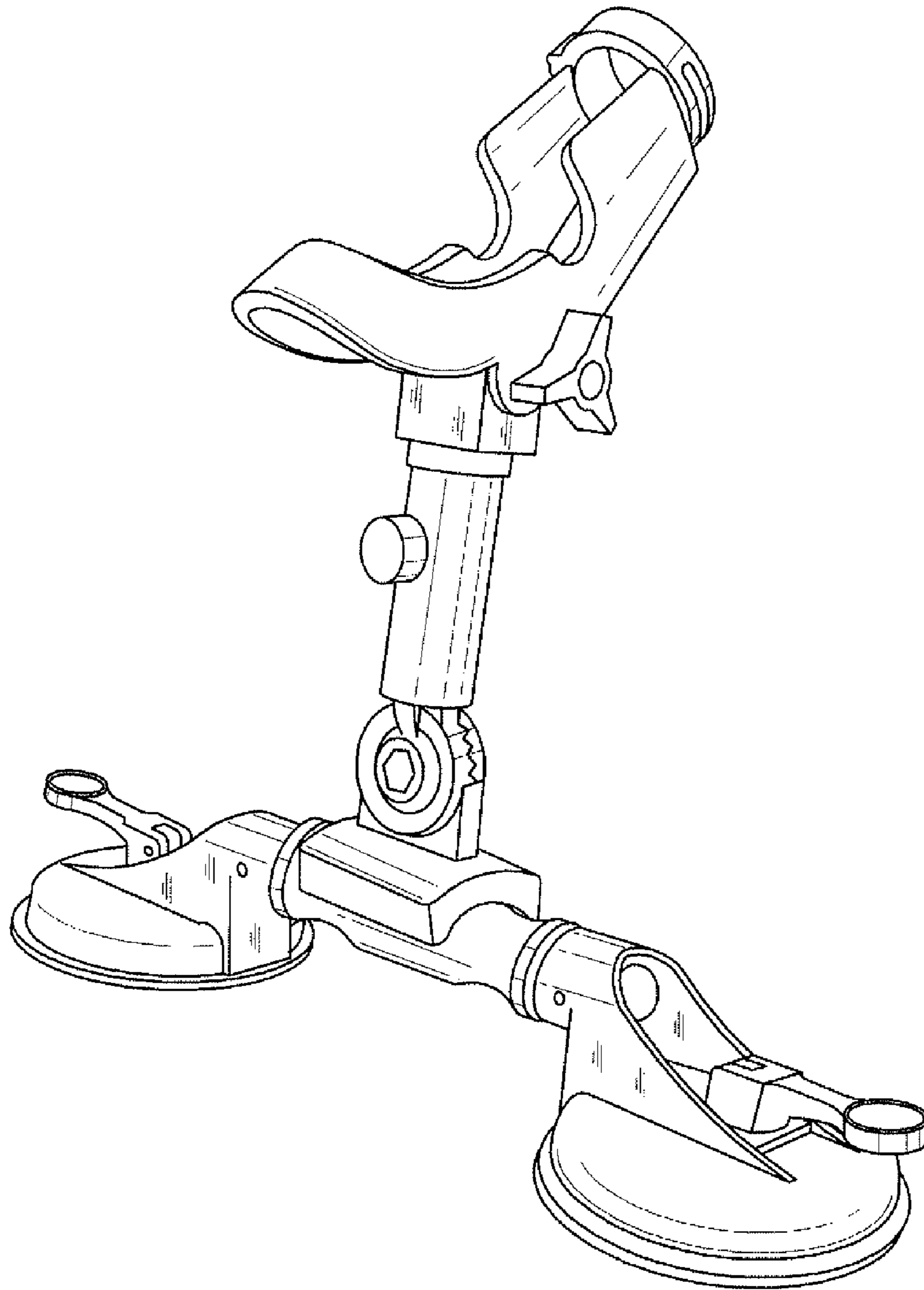
FIG. 20 is a rear view thereof;

FIG. 21 is a top view thereof; and,

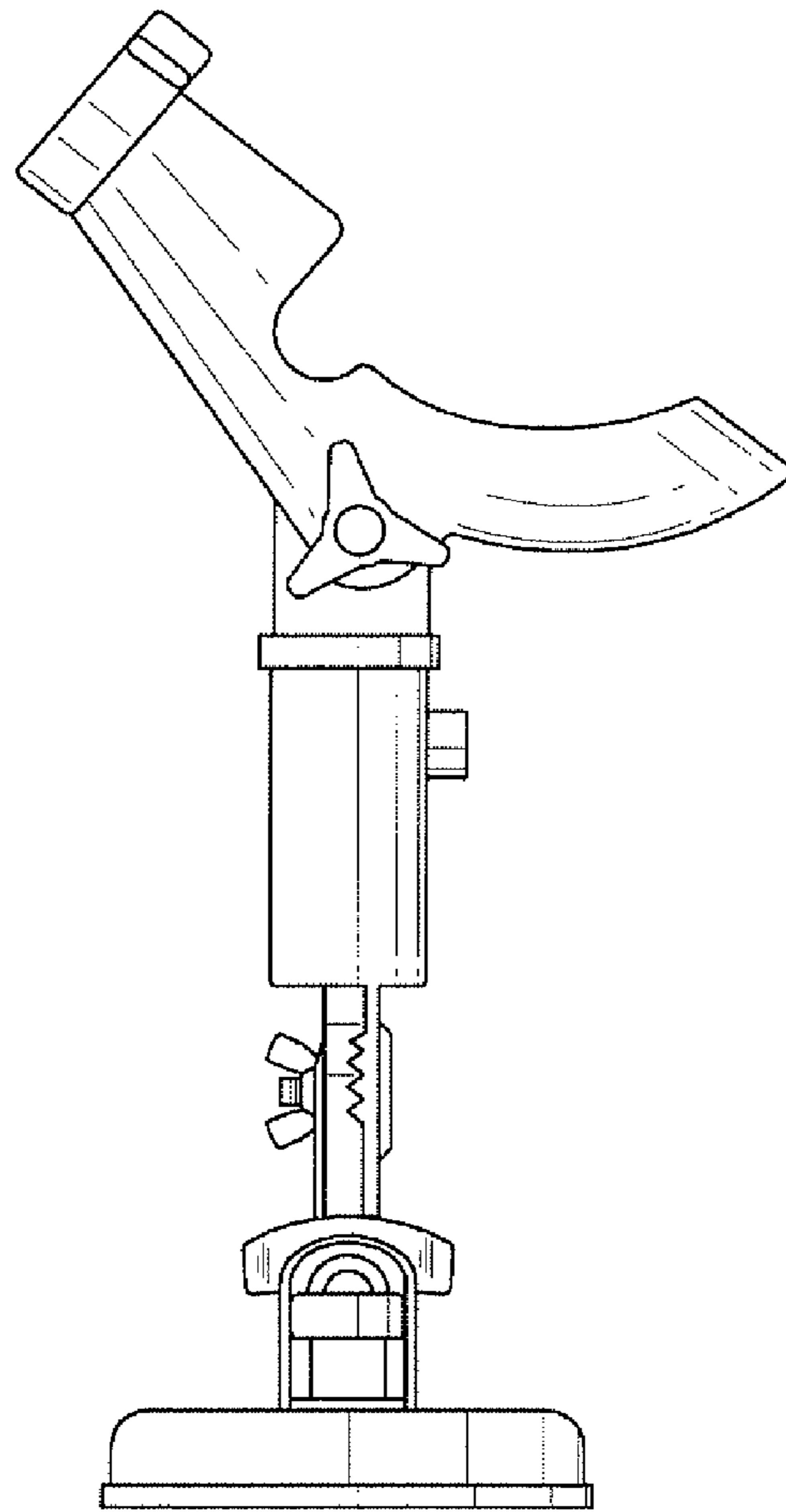
FIG. 22 is a bottom view thereof.

**1 Claim, 22 Drawing Sheets**

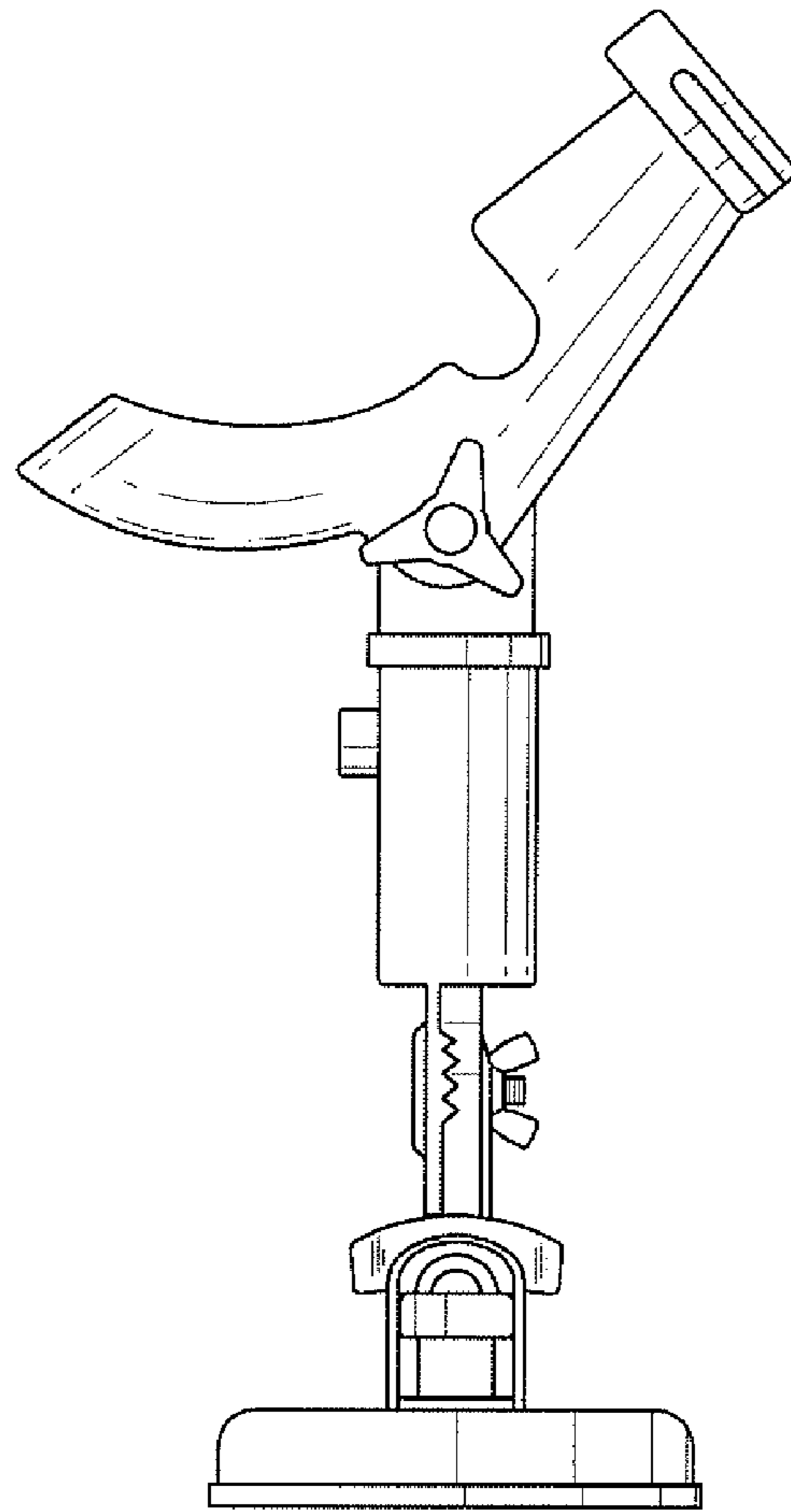




**FIG. 1**



*FIG. 2*



*FIG. 3*

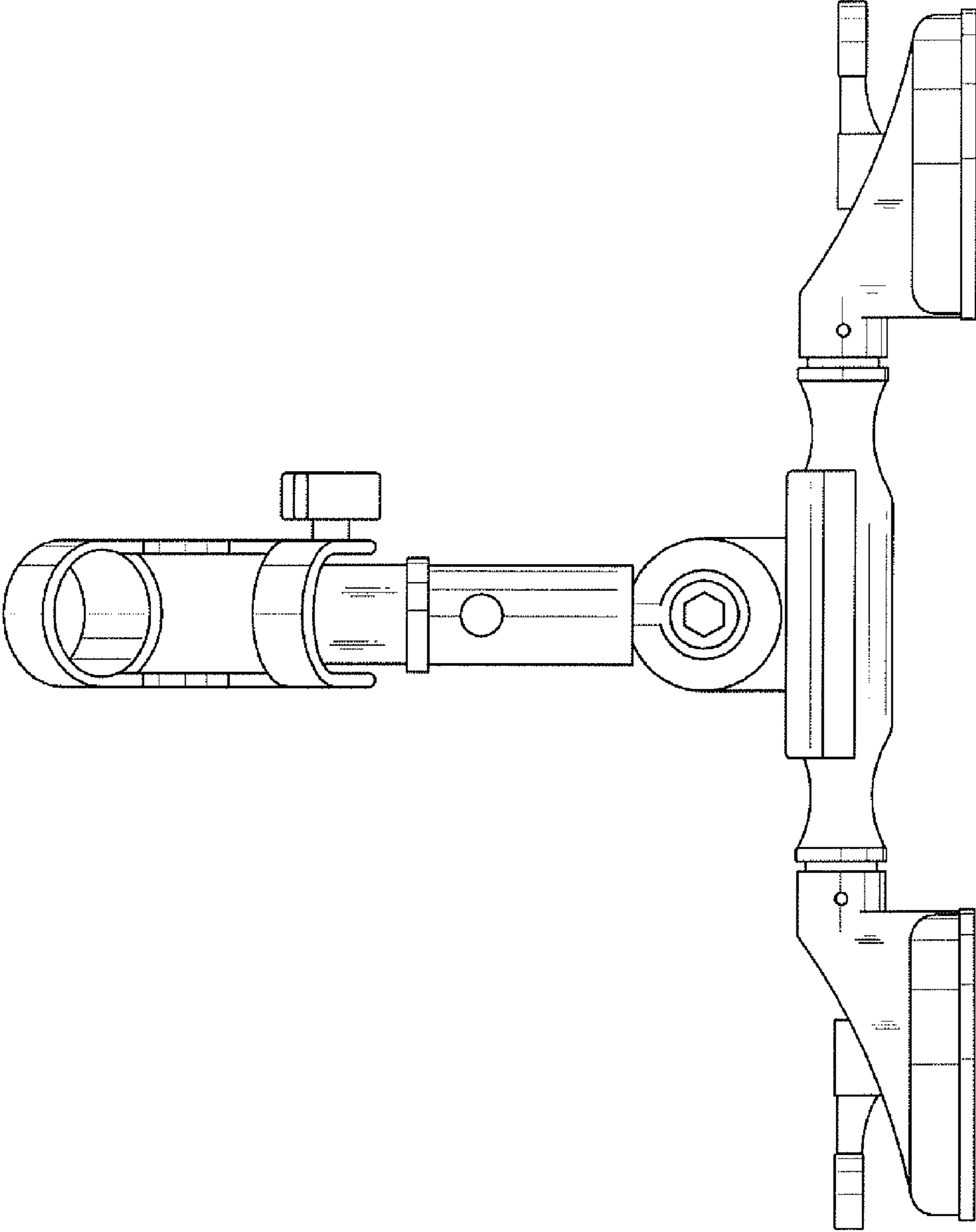


FIG. 4

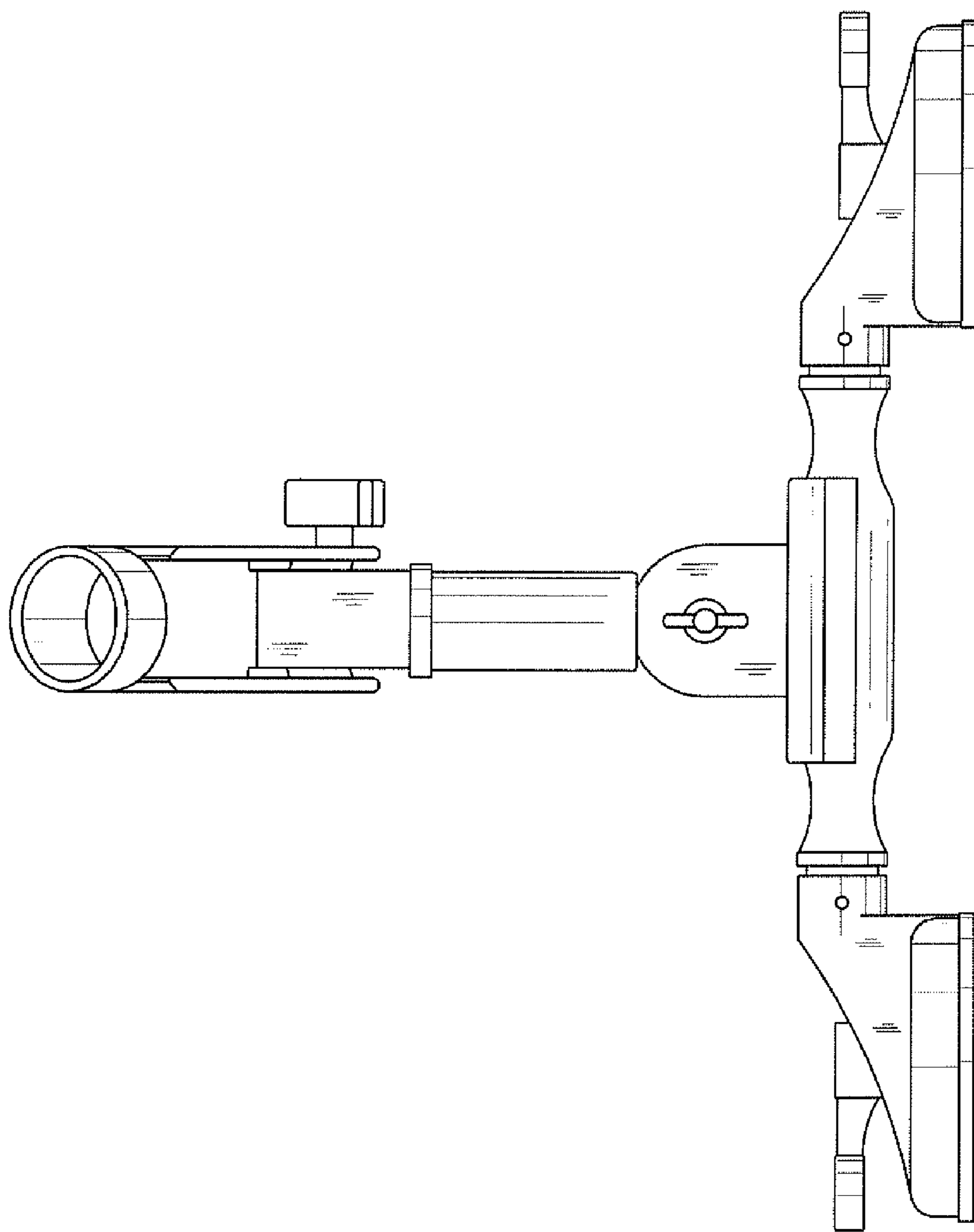


FIG. 5

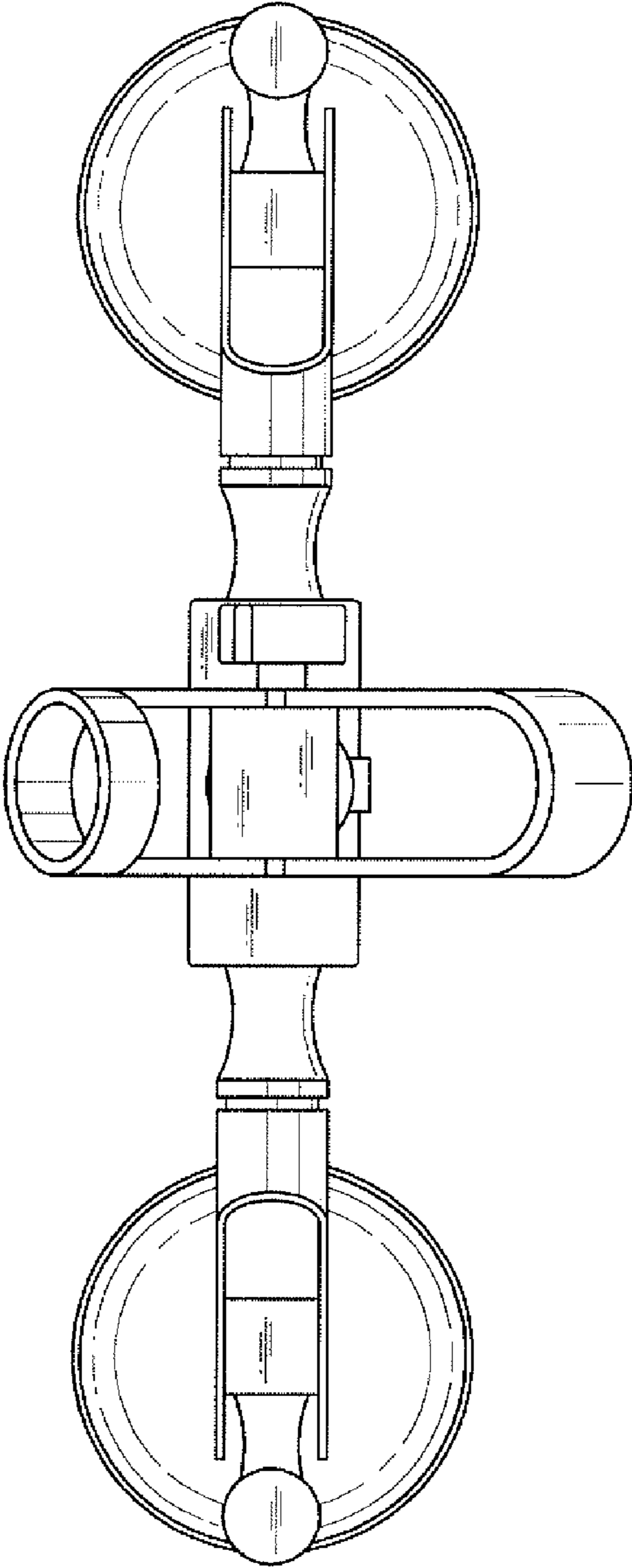


FIG. 6



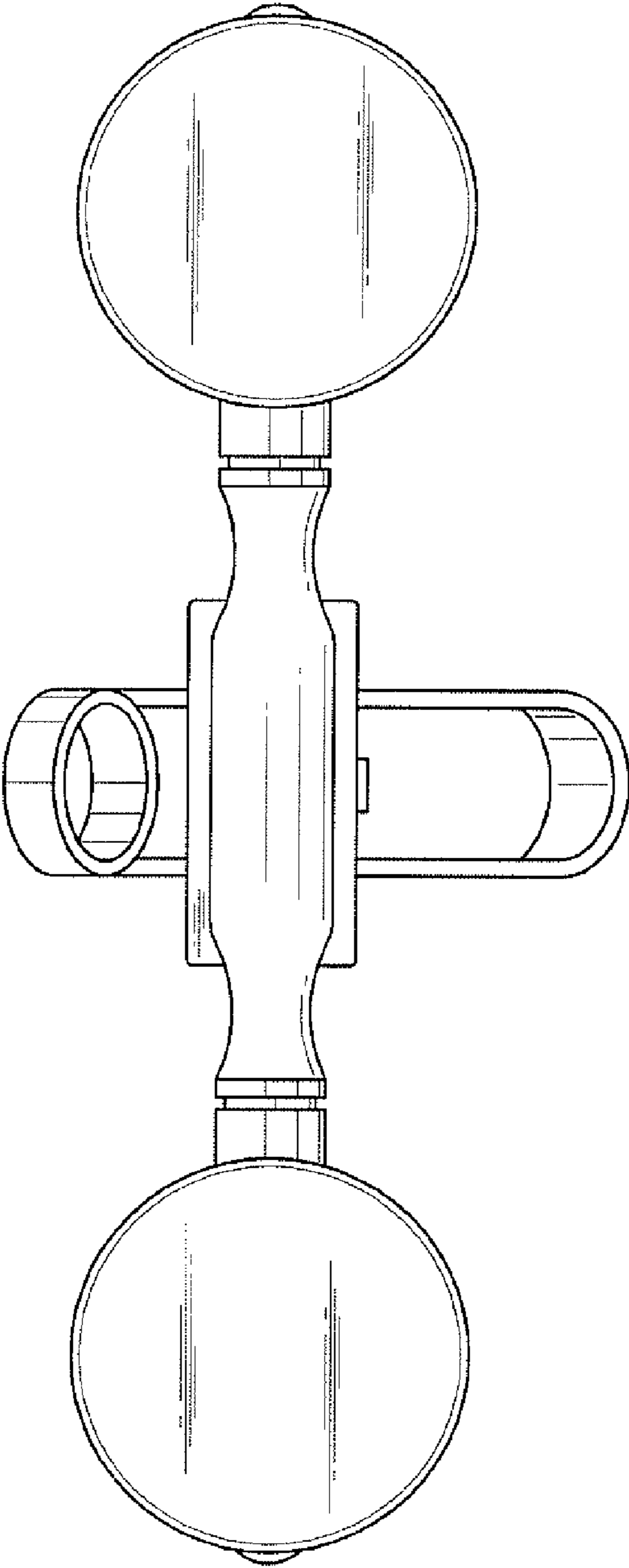


FIG. 7



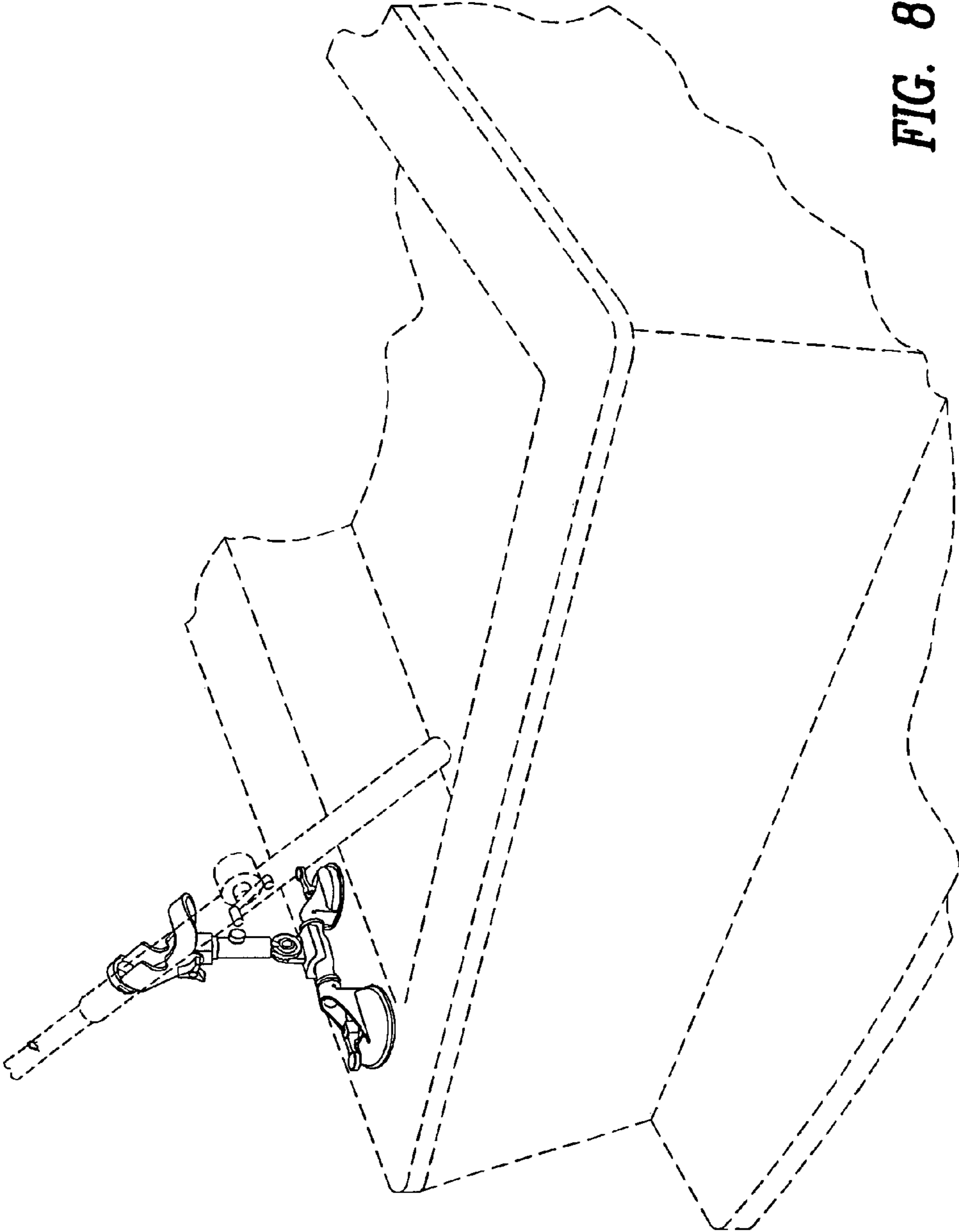
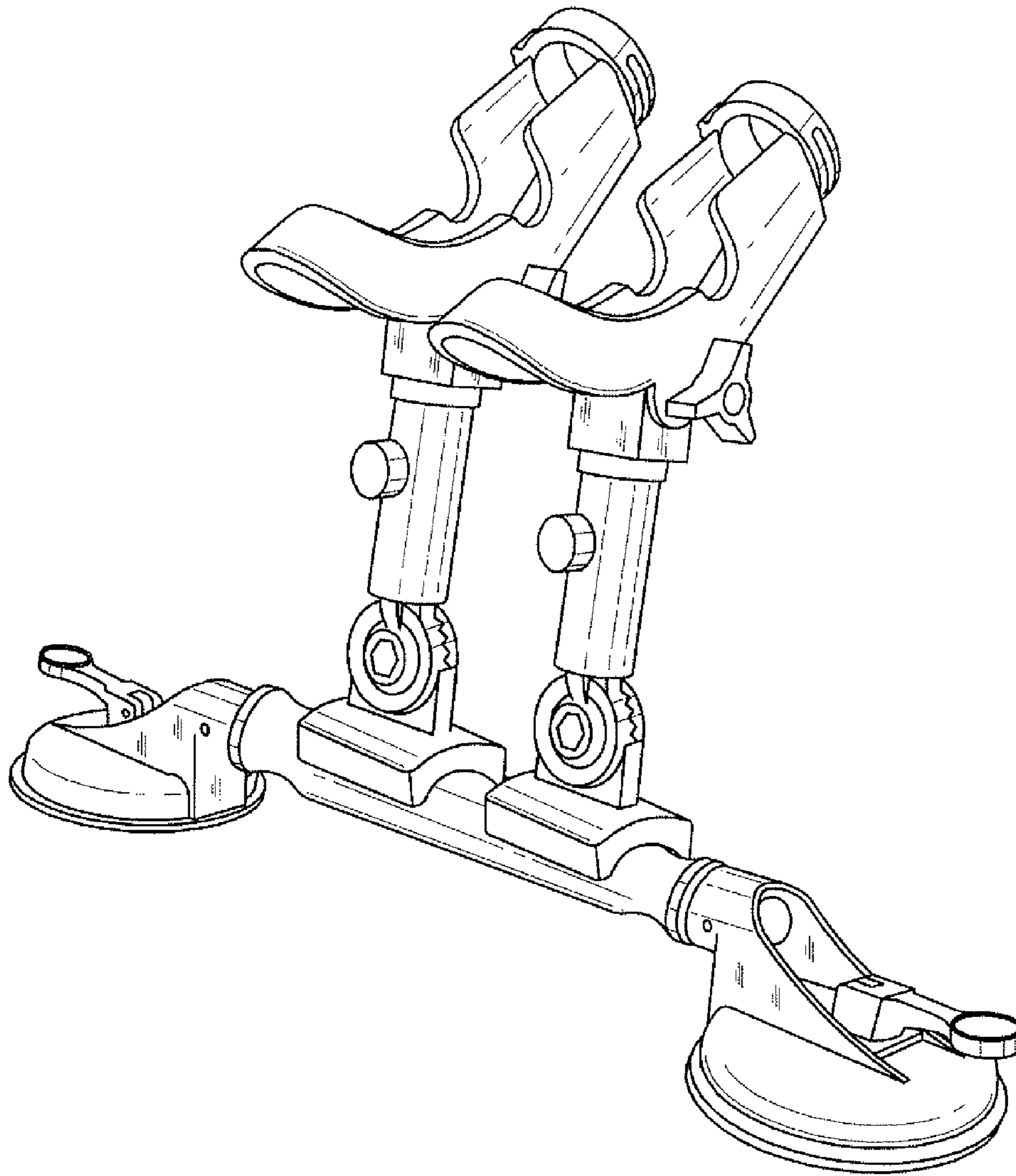
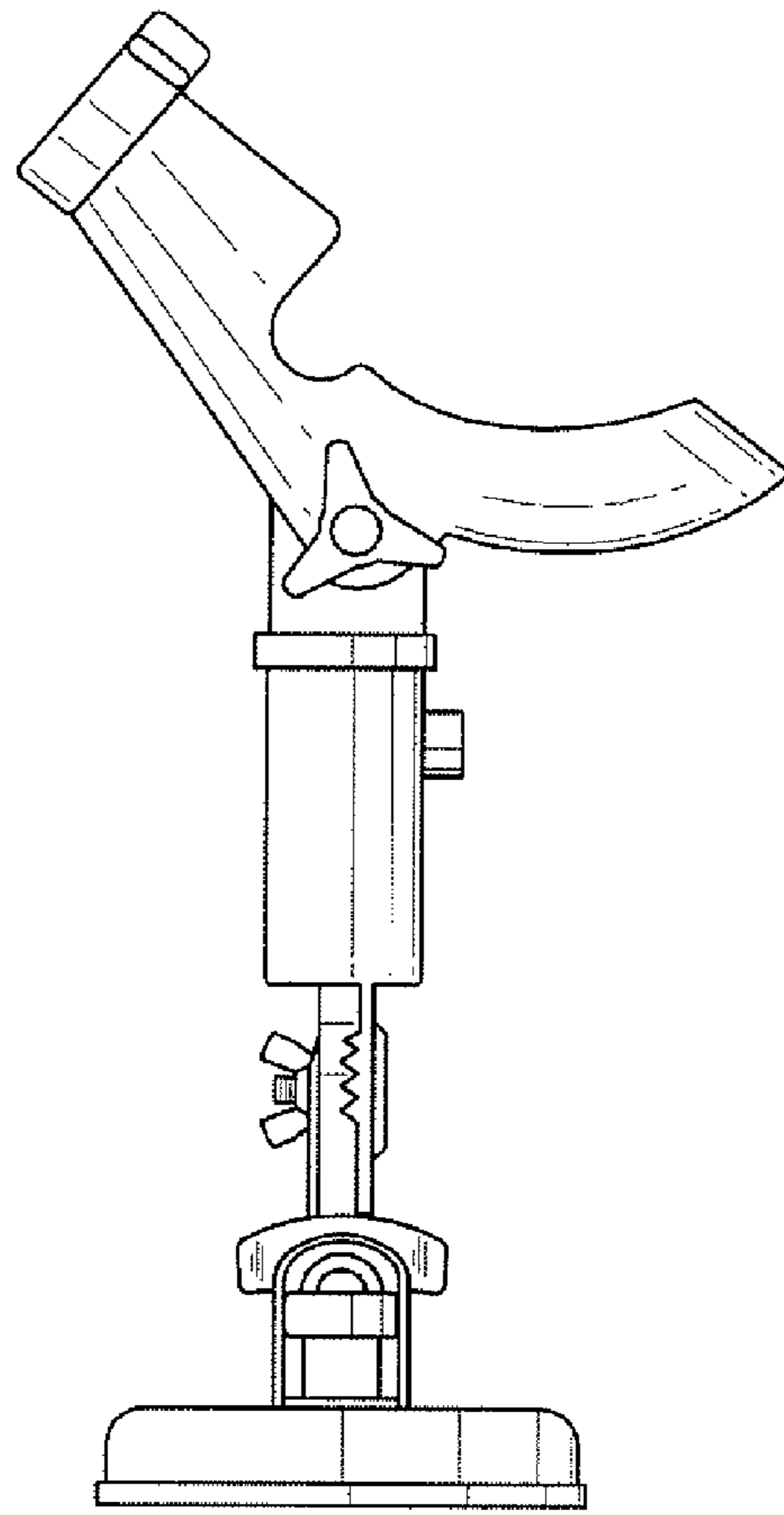


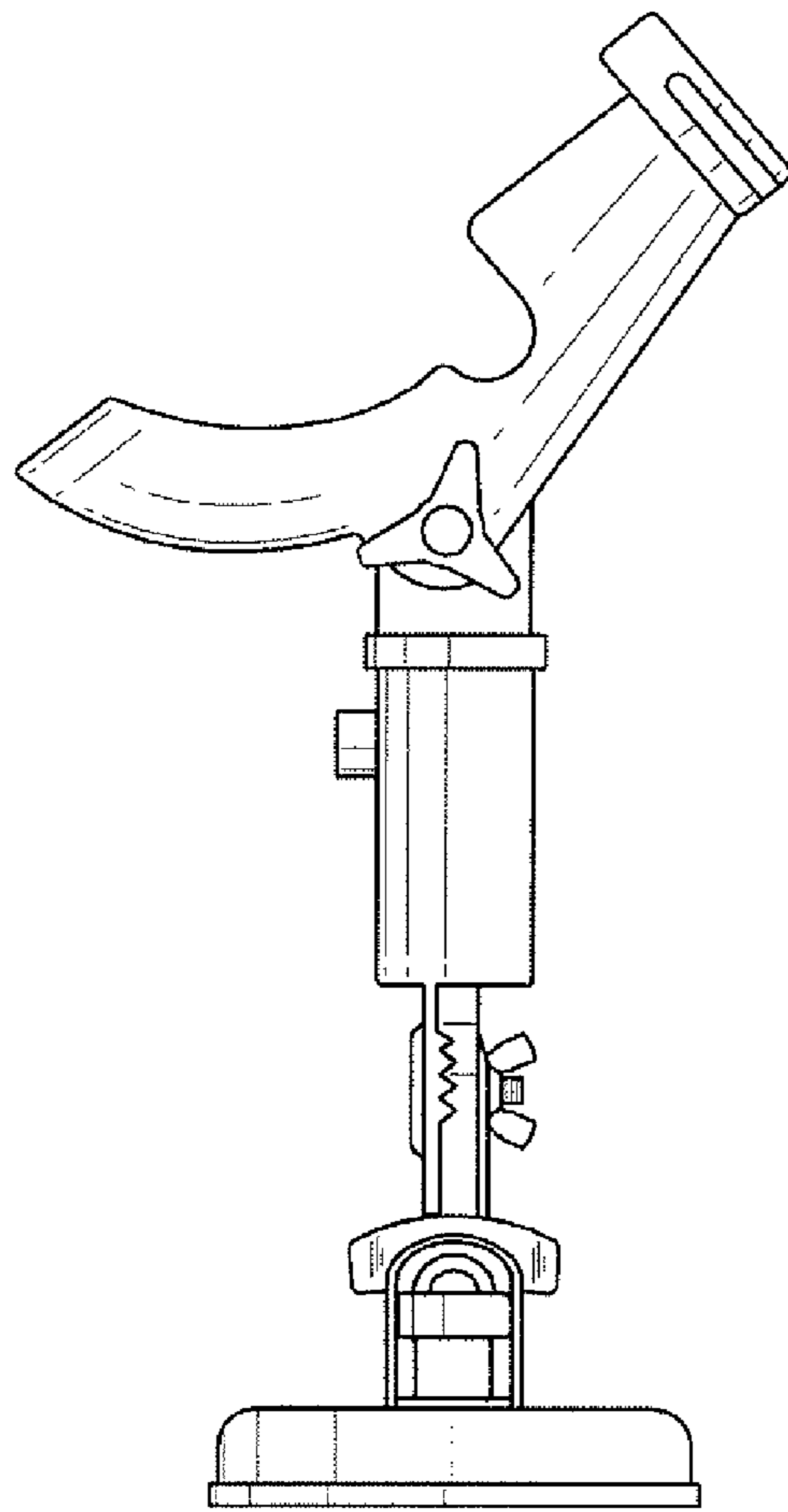
FIG. 8



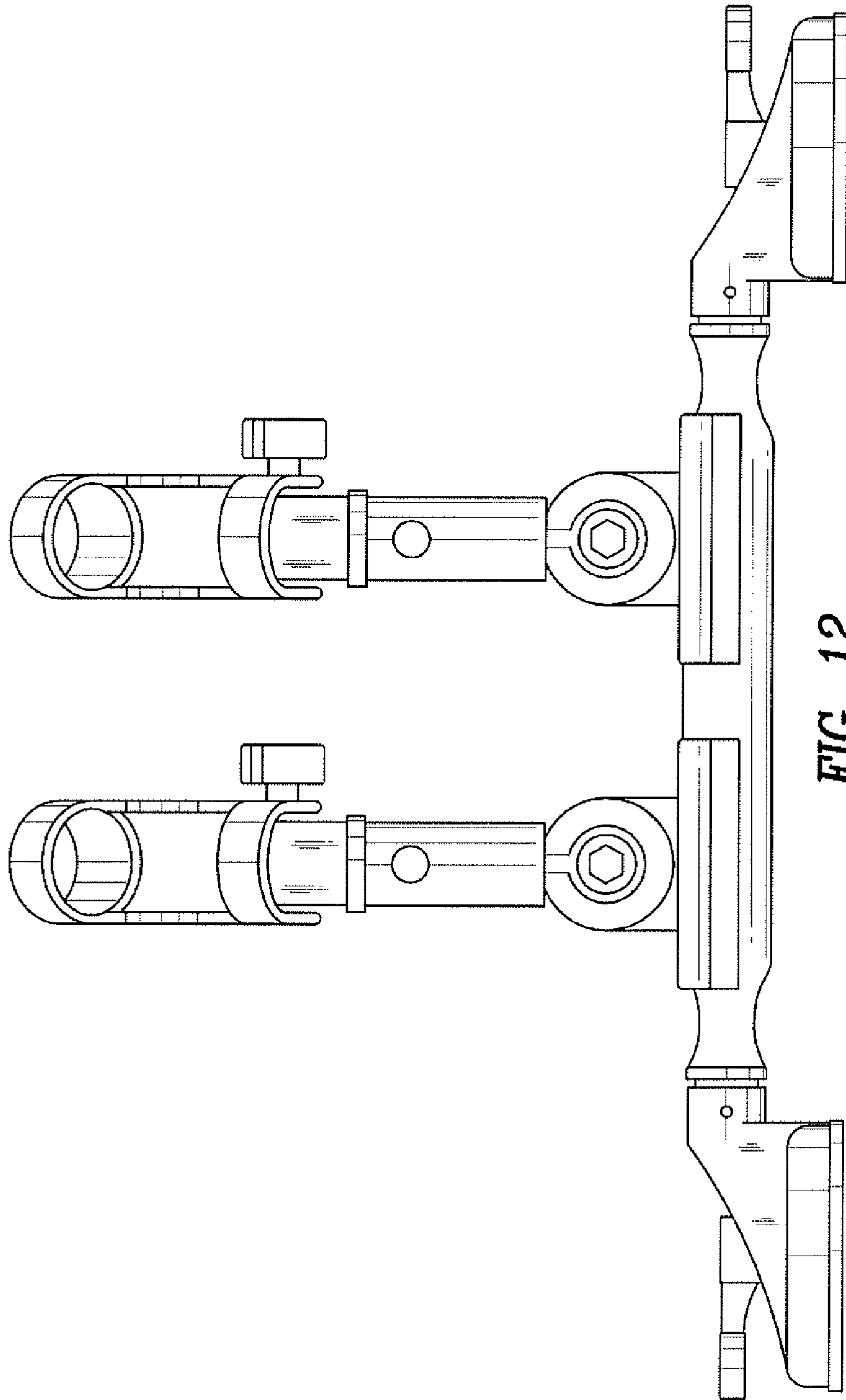
**FIG. 9**



*FIG. 10*



*FIG. 11*



**FIG. 12**

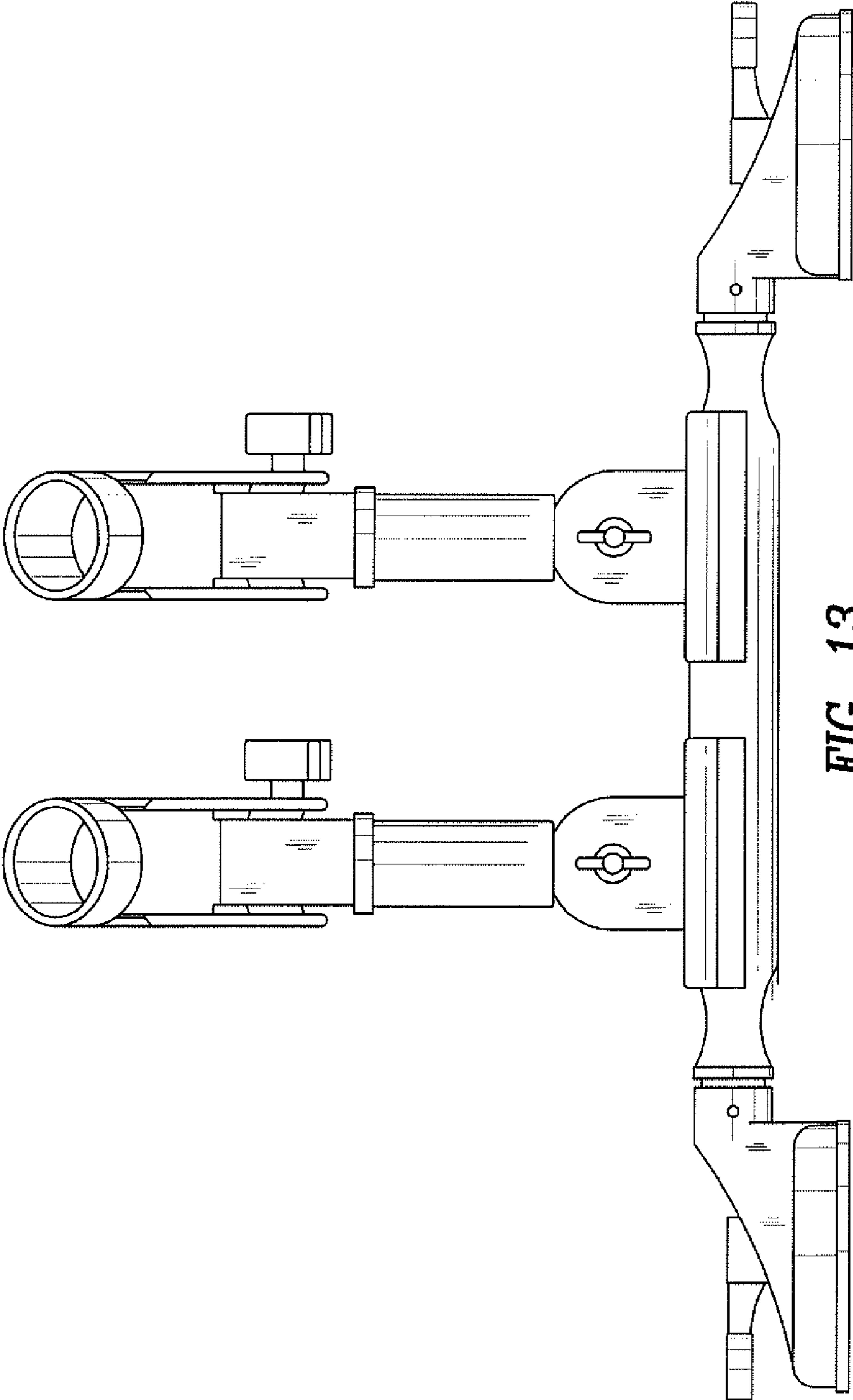
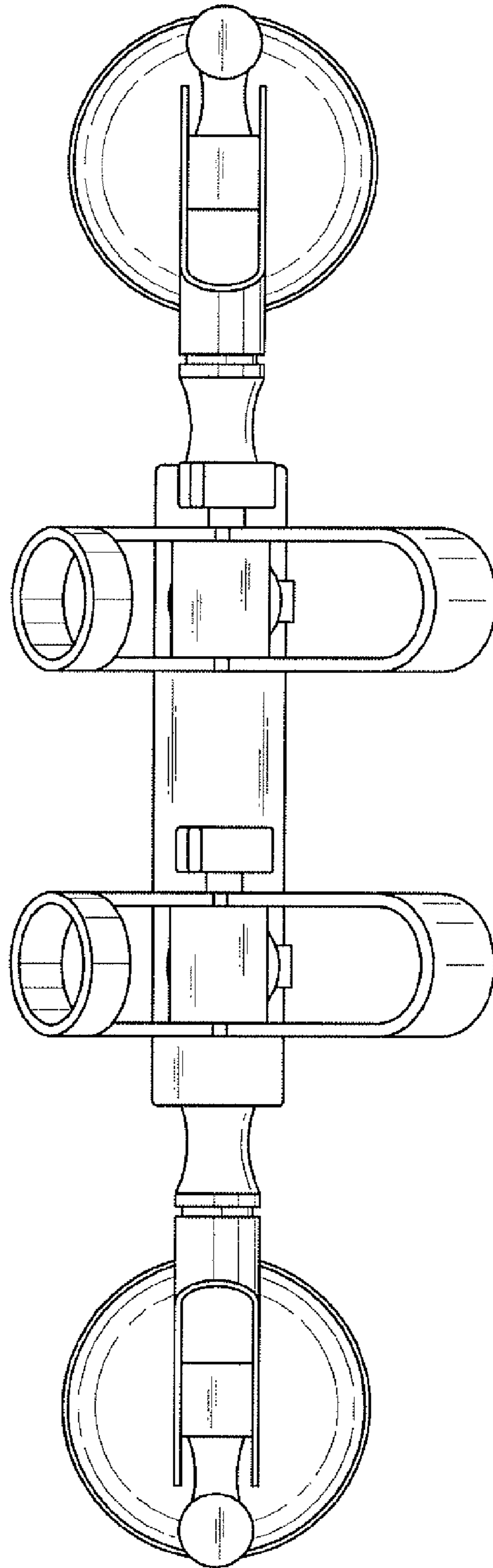
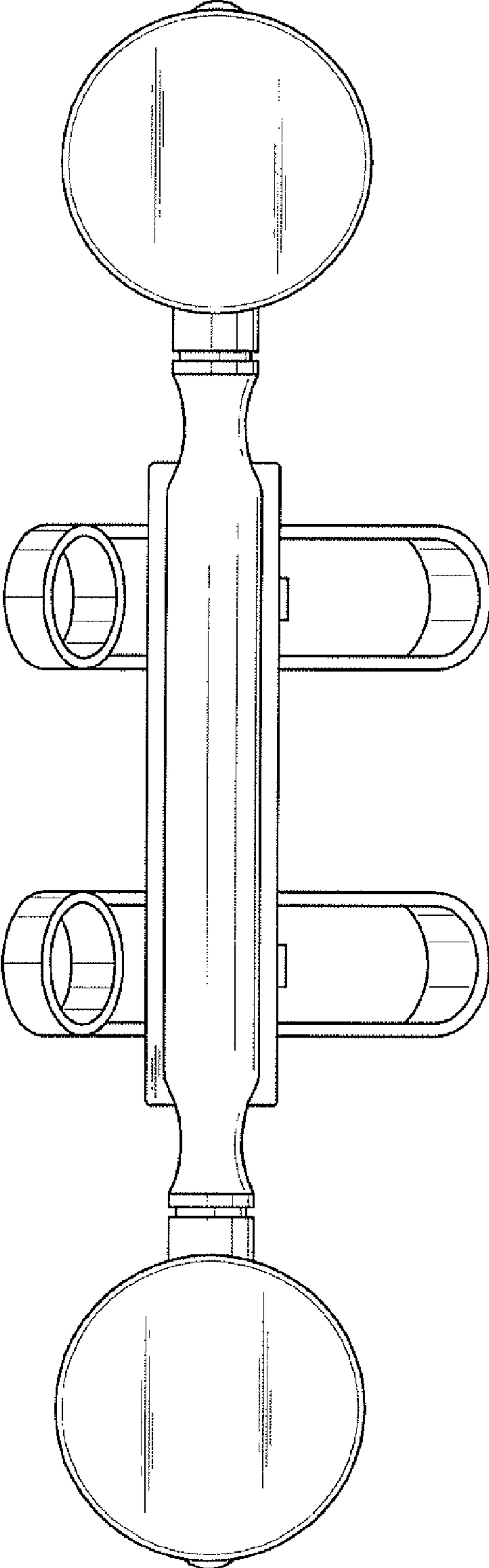


FIG. 13



**FIG. 14**





*FIG. 15*

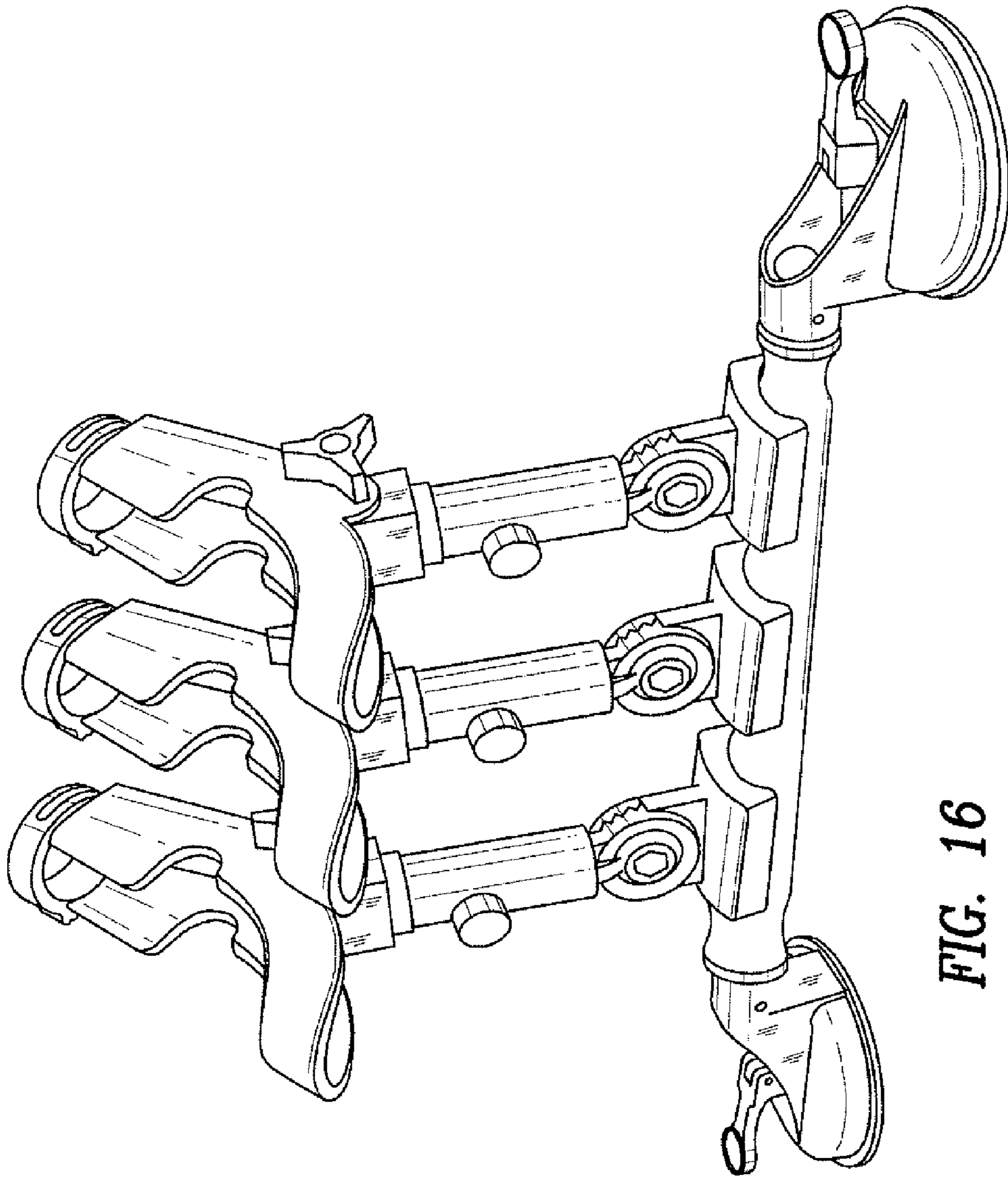
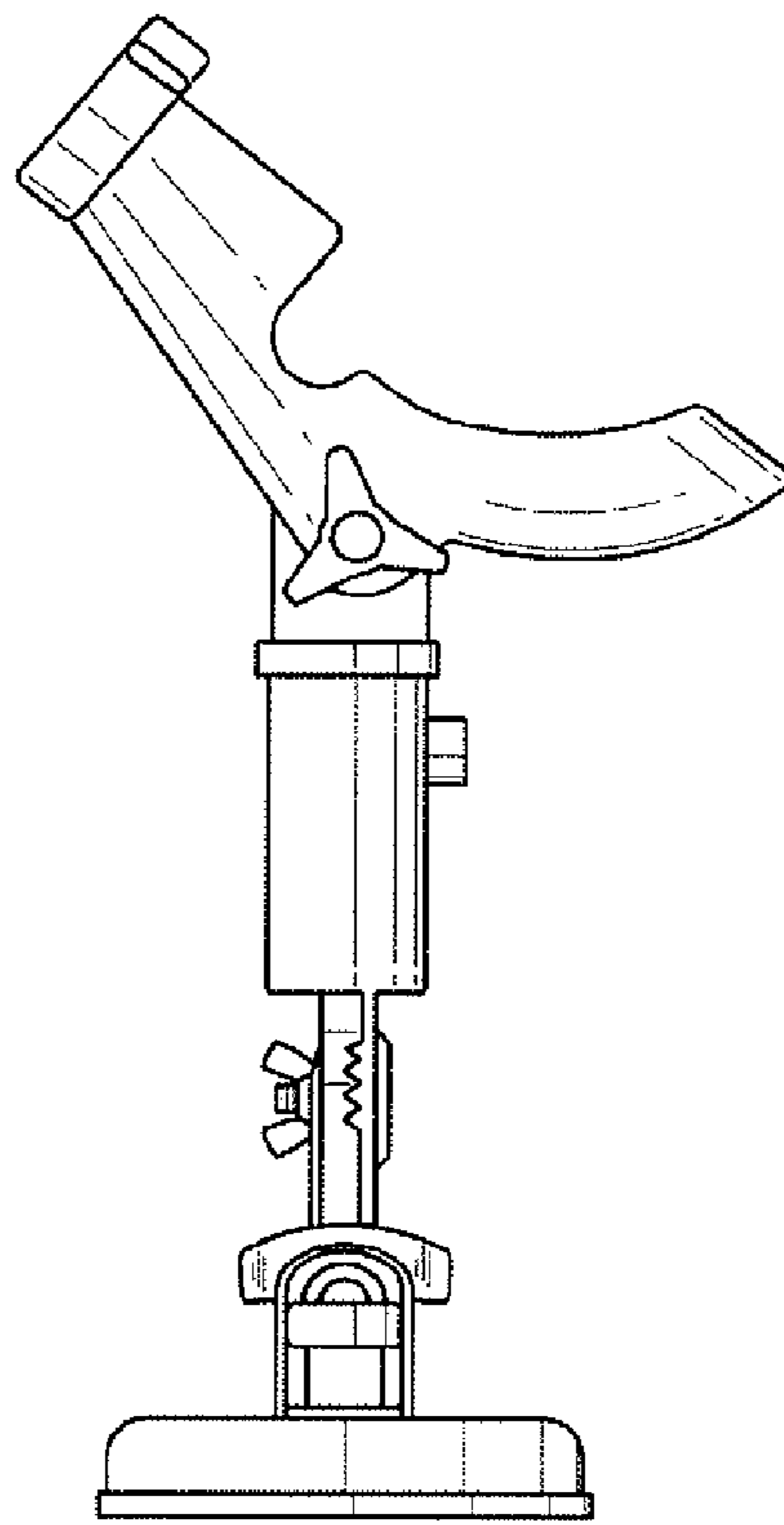
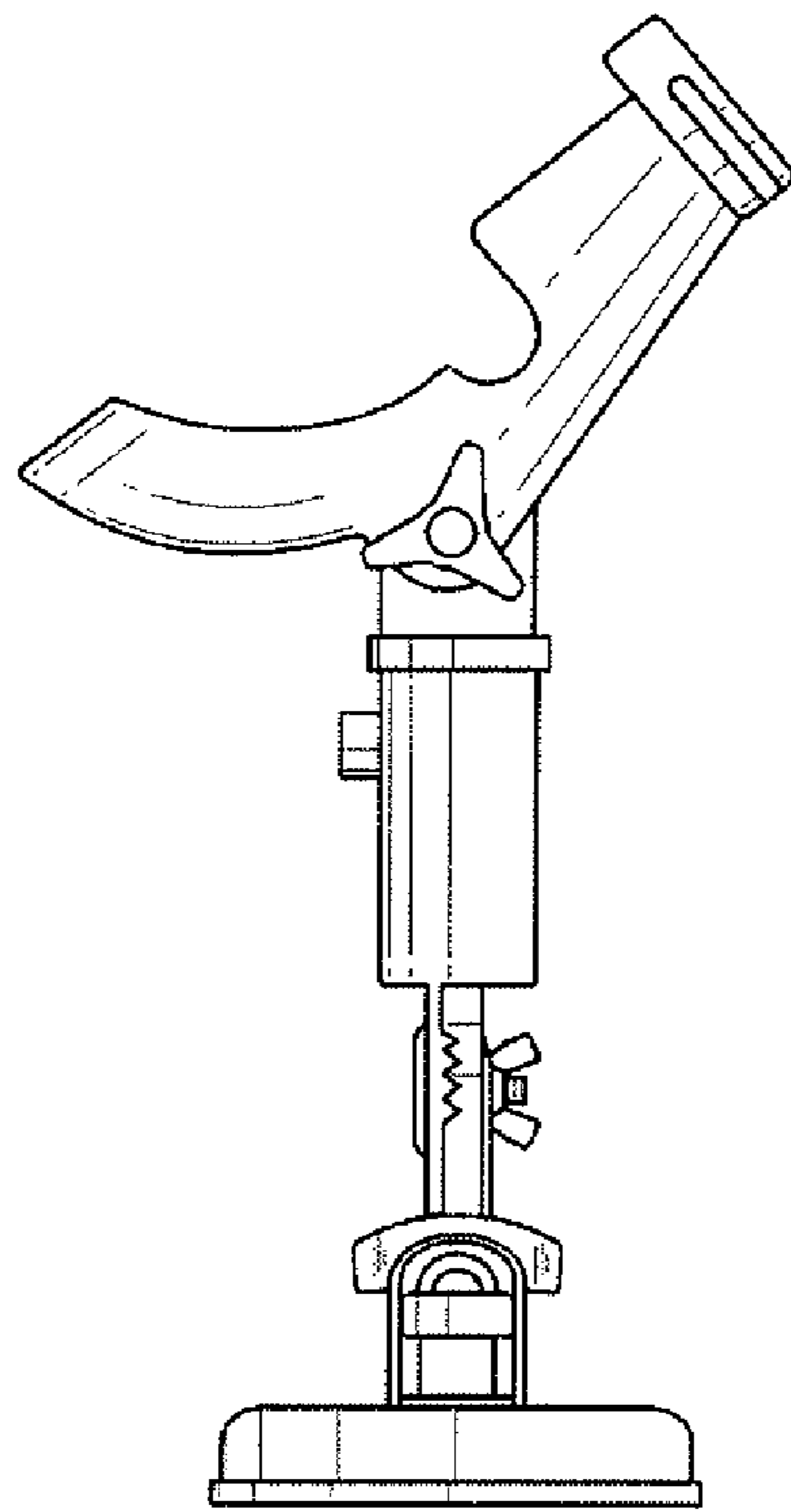


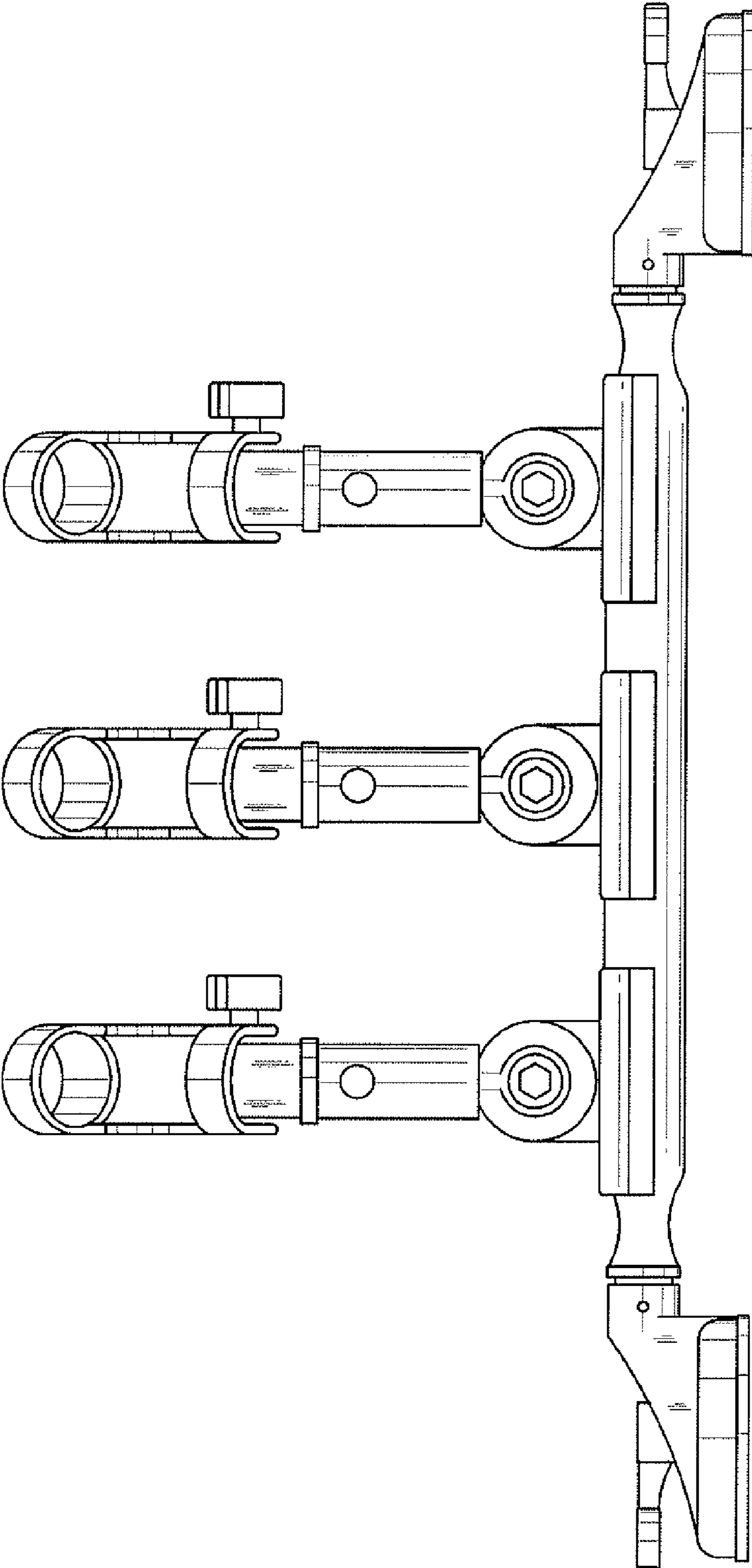
FIG. 16



*FIG. 17*



*FIG. 18*



*FIG. 19*

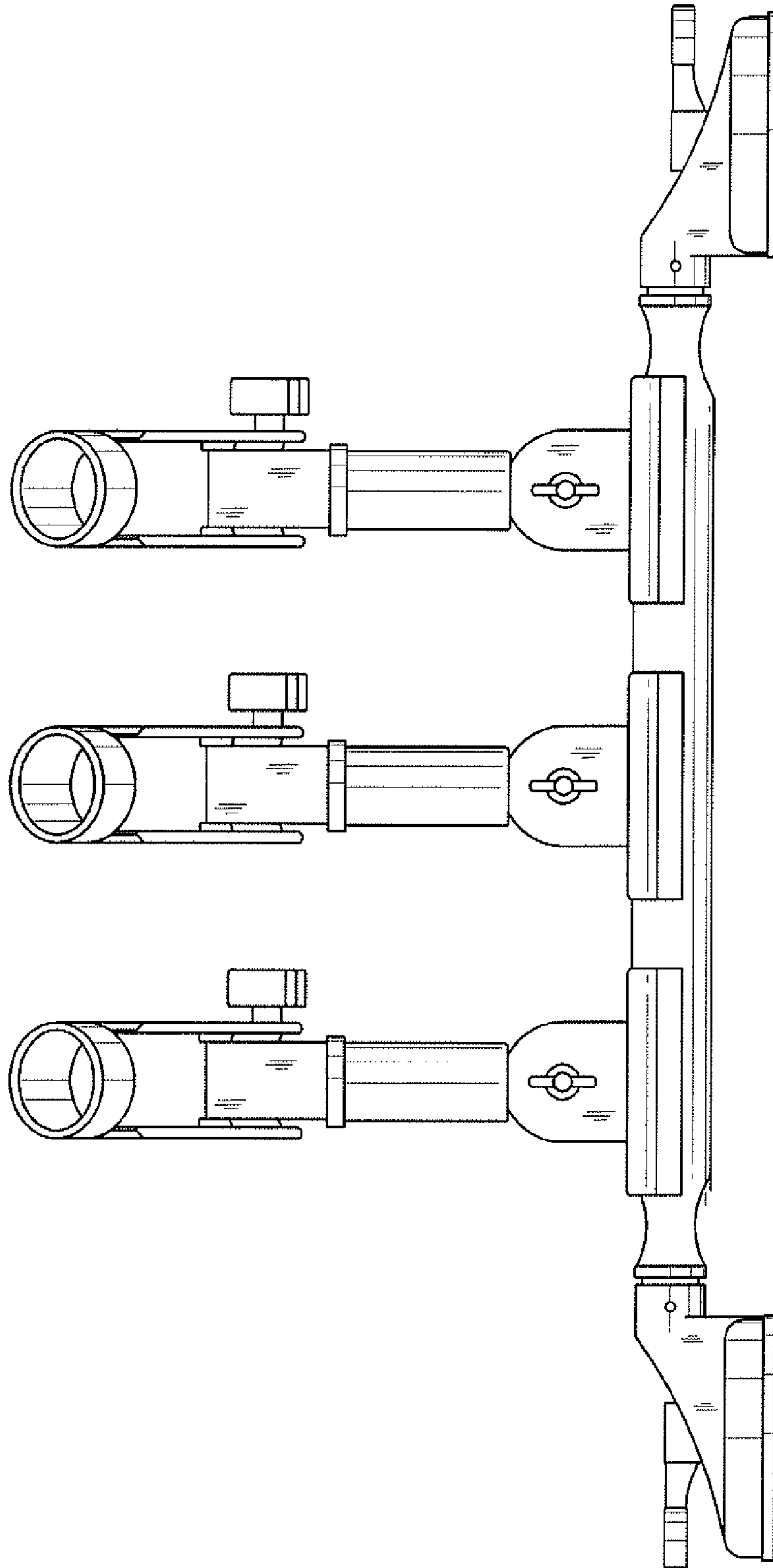
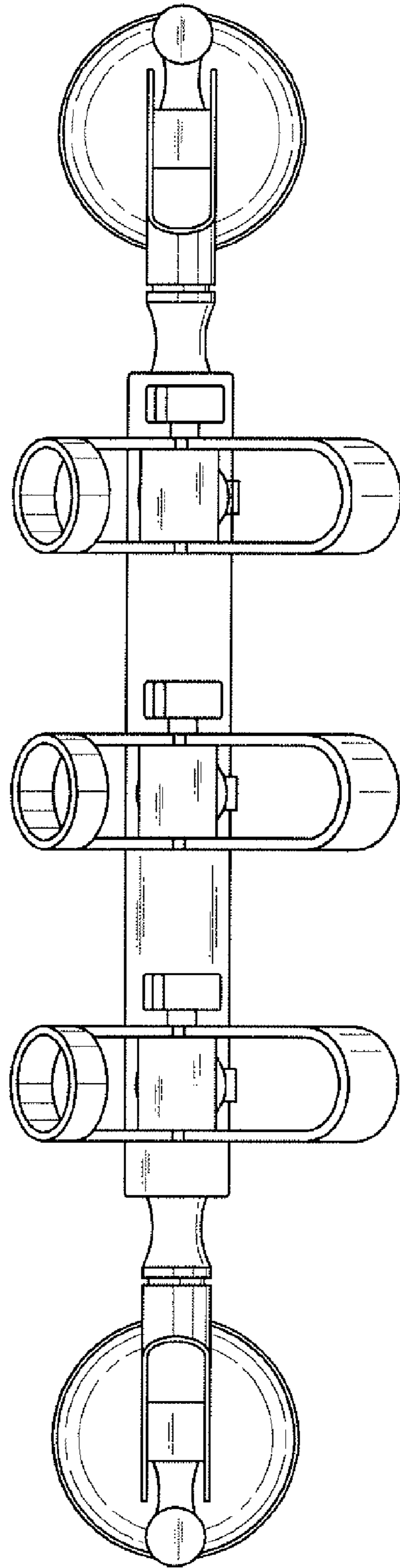
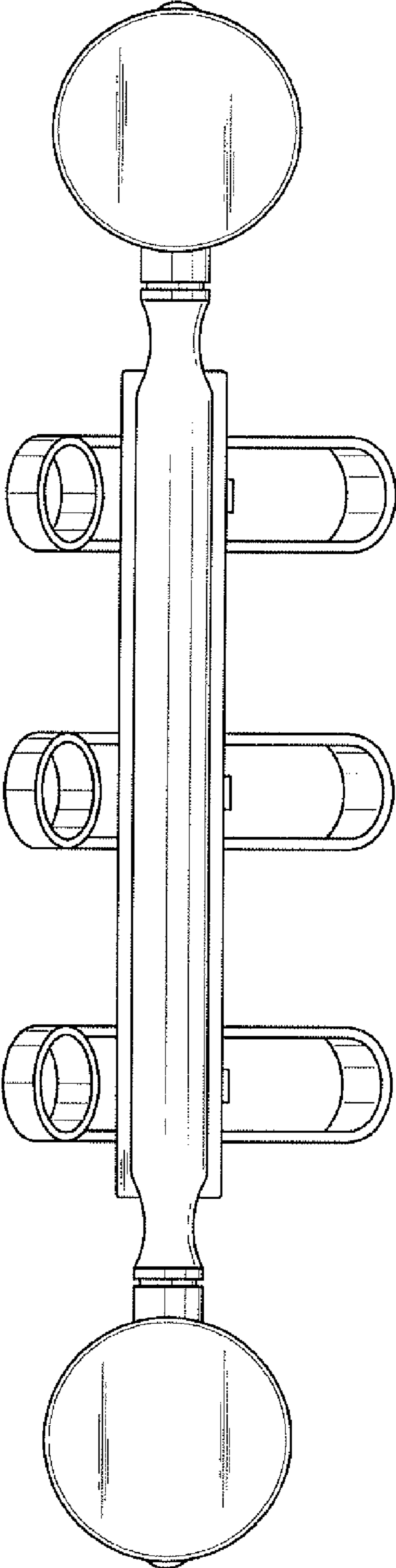


FIG. 20



*FIG. 21*





*FIG. 22*