



US00D702055S

(12) **United States Design Patent**
Rauch

(10) **Patent No.:** **US D702,055 S**
(45) **Date of Patent:** **** Apr. 8, 2014**

(54) **TOWEL HOLDER**

(71) Applicant: **C. Daniel Rauch**, Reno, NV (US)

(72) Inventor: **C. Daniel Rauch**, Reno, NV (US)

(**) Term: **14 Years**

(21) Appl. No.: **29/473,603**

(22) Filed: **Nov. 25, 2013**

(51) **LOC (10) Cl.** **06-04**

(52) **U.S. Cl.**
USPC **D6/546**

(58) **Field of Classification Search**

USPC D6/546-550; 211/13.1, 16, 60.1, 86.01,
211/87.01, 88.04, 105.1, 105.2, 106, 181.1;
248/205.1, 214, 251-254, 261, 302,
248/304, 305.1; D3/205, 215

See application file for complete search history.

(56) **References Cited**

U.S. PATENT DOCUMENTS

2,477,806 A 8/1949 Isaacson
4,953,769 A 9/1990 Parsons
4,955,518 A 9/1990 Parsons
4,957,232 A 9/1990 Sprague
D321,450 S * 11/1991 Goodman et al. D6/546
D329,344 S * 9/1992 Carillo D6/546

5,553,345 A 9/1996 Bell
5,797,212 A 8/1998 Kistner
D409,031 S * 5/1999 McNaughton D6/546
2008/0308665 A1 12/2008 Rauch

* cited by examiner

Primary Examiner — Brian N Vinson

(74) *Attorney, Agent, or Firm* — Robert J. Yarbrough;
Lipton, Weinberger & Husick

(57) **CLAIM**

The ornamental design for a towel holder, as shown and described.

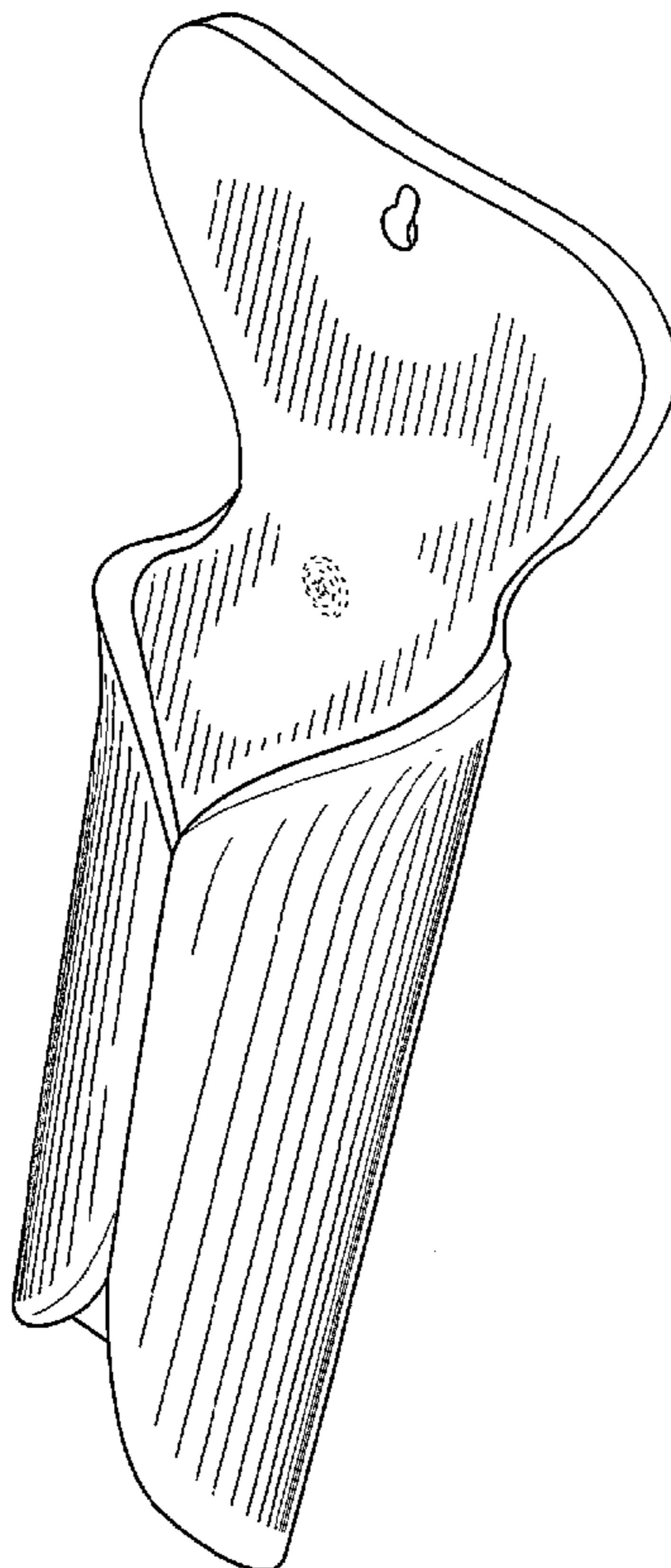
DESCRIPTION

FIG. 1 is a perspective front view of the towel holder comprising my new design;
FIG. 2 is a front view of the towel holder;
FIG. 3 is a rear view of the towel holder;
FIG. 4 is a right side view of the towel holder;
FIG. 5 is a left side view of the towel holder;
FIG. 6 is a top view of the towel holder; and,
FIG. 7 is a bottom view of the of the towel holder.

The broken-line disclosure represents portions of the holder which form no part of the claimed design.

The towel holder is to releasably hold a towel on the belt of a user.

1 Claim, 3 Drawing Sheets



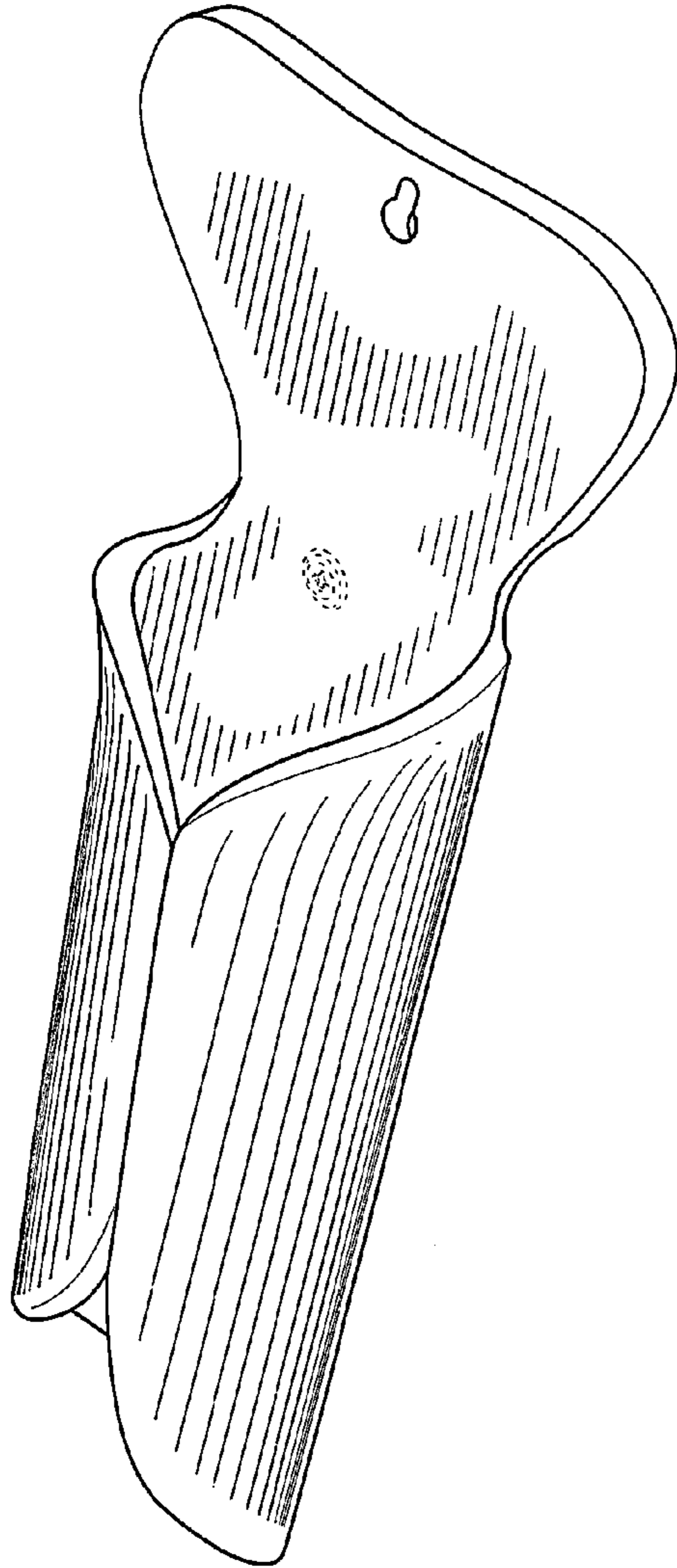


FIG. 1

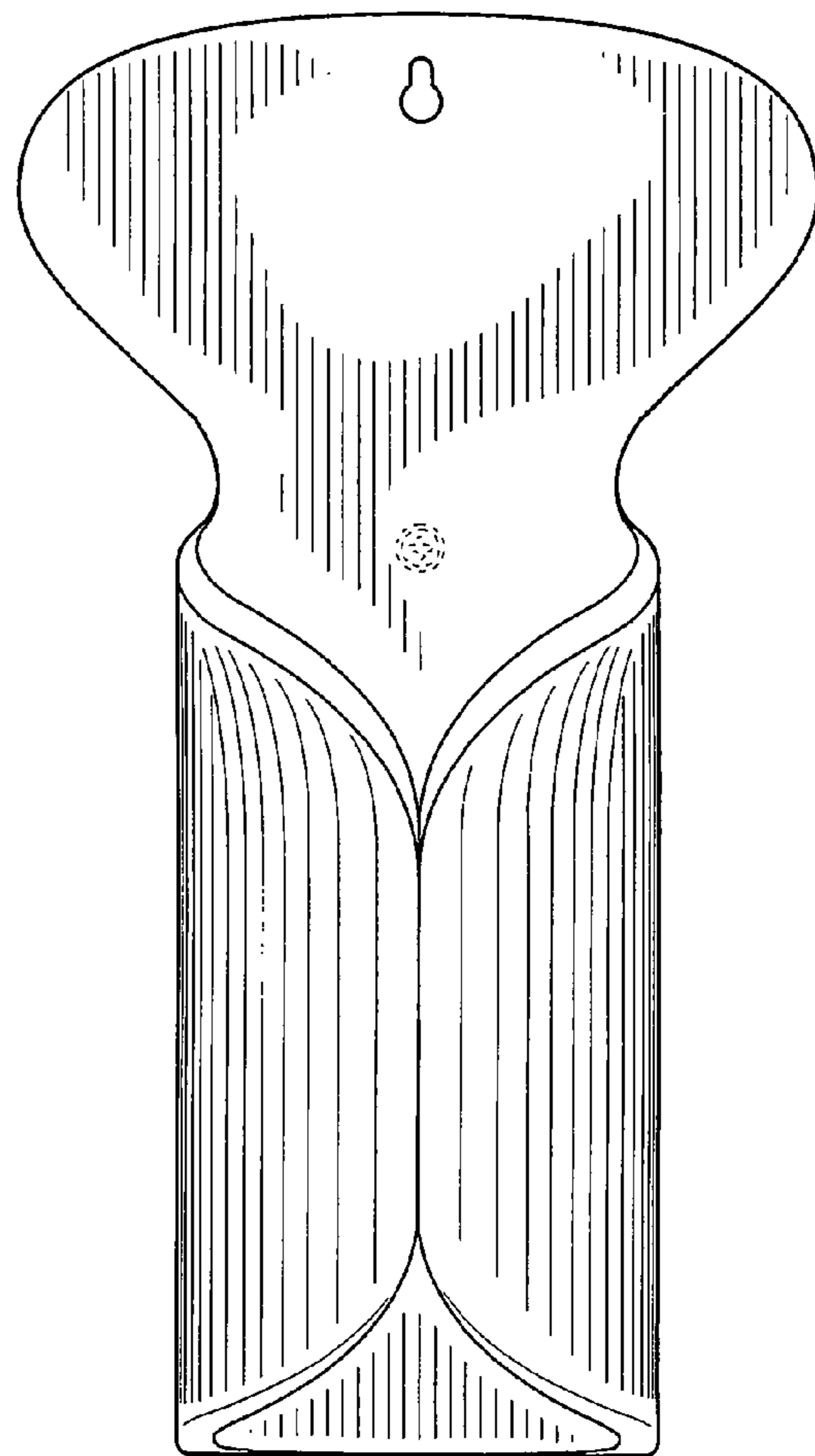


FIG. 2

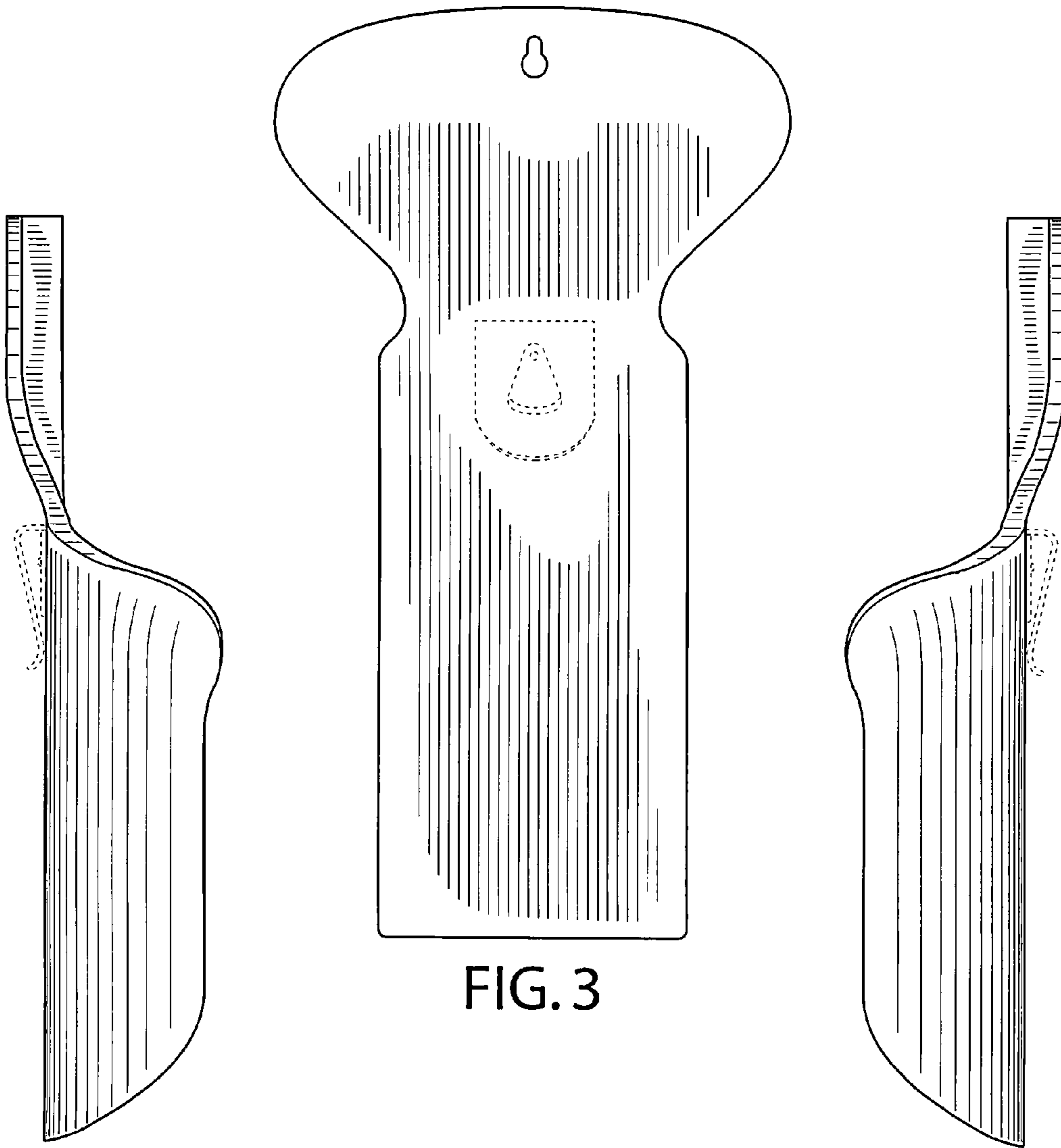


FIG. 3

FIG. 4

FIG. 5

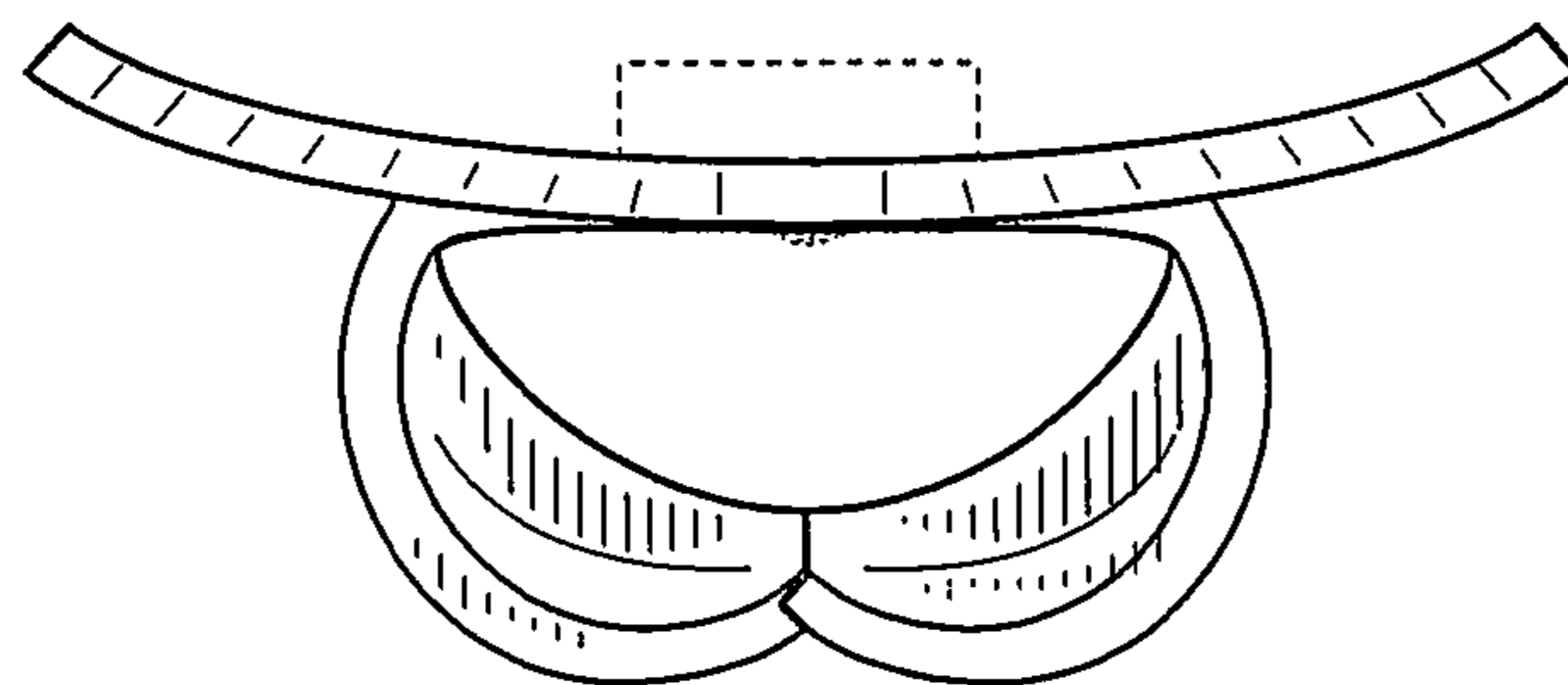


FIG. 6

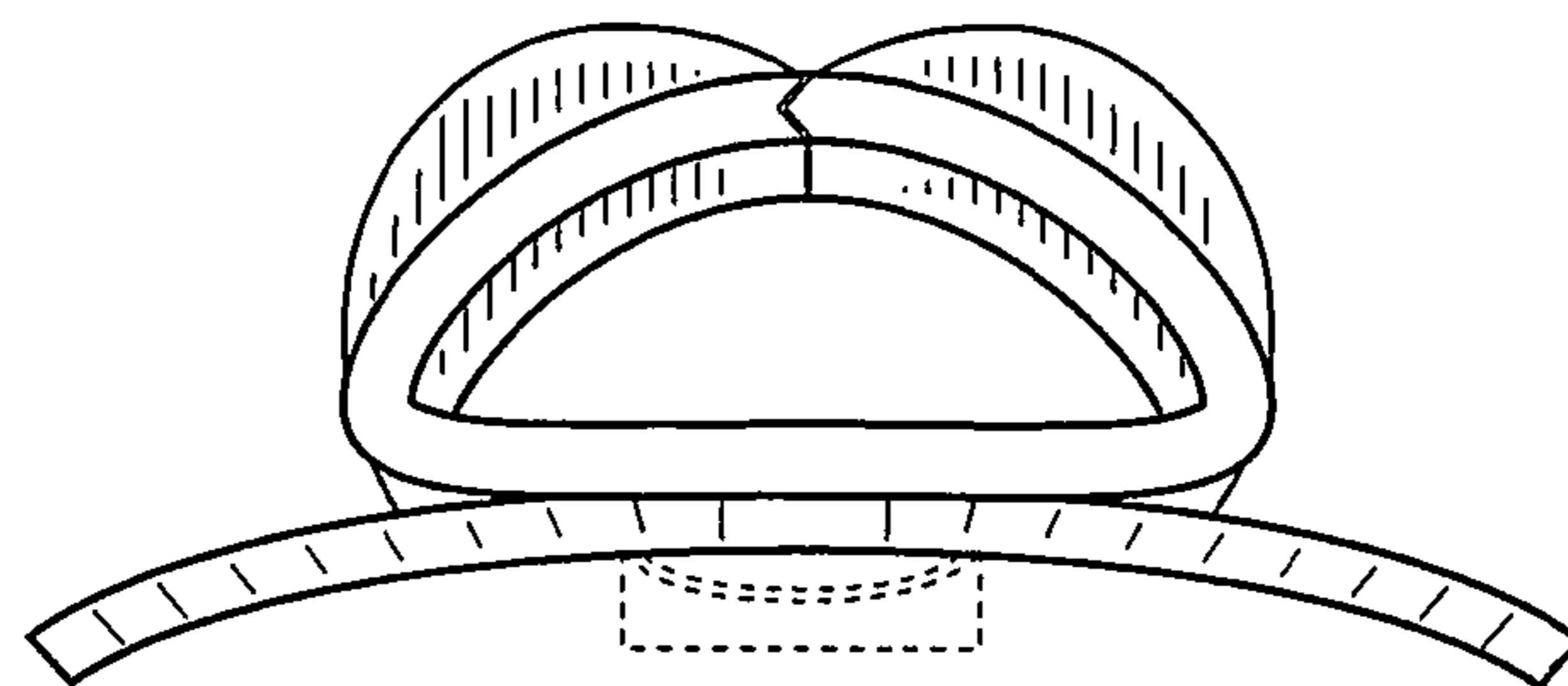


FIG. 7