



US00D702054S

(12) **United States Design Patent**
Garrett

(10) **Patent No.:** **US D702,054 S**

(45) **Date of Patent:** **** Apr. 8, 2014**

(54) **TOILET PAPER SHIELD**

(71) Applicant: **Tatiana Garrett**, Chicago, IL (US)

(72) Inventor: **Tatiana Garrett**, Chicago, IL (US)

(**) Term: **14 Years**

(21) Appl. No.: **29/468,990**

(22) Filed: **Oct. 4, 2013**

(51) **LOC (10) Cl.** **23-02**

(52) **U.S. Cl.**
USPC **D6/523**

(58) **Field of Classification Search**
USPC D6/515-524, 546-550; D8/300, 303,
D8/315-321; 108/28-29; 211/13.1, 16,
211/60.1, 86.01, 87.01, 88.01, 88.04, 100,
211/105.1, 105.2, 123, 181.1, 182;
248/175, 176.1, 251, 302; 242/570,
242/590, 595-598

See application file for complete search history.

(56) **References Cited**

U.S. PATENT DOCUMENTS

D259,682 S * 6/1981 Standing D6/523
4,427,159 A * 1/1984 Miller et al. D6/523

D303,890 S * 10/1989 Pilot D6/523
D393,770 S * 4/1998 Daly D6/523
D462,551 S * 9/2002 Mayer D6/523
D621,646 S * 8/2010 De Bonis D6/523

* cited by examiner

Primary Examiner — Brian N Vinson

(74) *Attorney, Agent, or Firm* — Richards Patent Law P.C.

(57) **CLAIM**

The ornamental design for a toilet paper shield, as shown and described.

DESCRIPTION

FIG. 1 is a perspective view of the toilet paper shield in use with a toilet paper roll holder.

FIG. 2 is a front-left perspective view of the toilet paper shield;

FIG. 3 is a front view thereof;

FIG. 4 is a back view thereof;

FIG. 5 is a top view thereof

FIG. 6 is a bottom view thereof; and,

FIG. 7 is a side view thereof.

Those portions of the figures that are presented in broken lines merely illustrate the environment of the design and are not part of the claimed design.

1 Claim, 3 Drawing Sheets

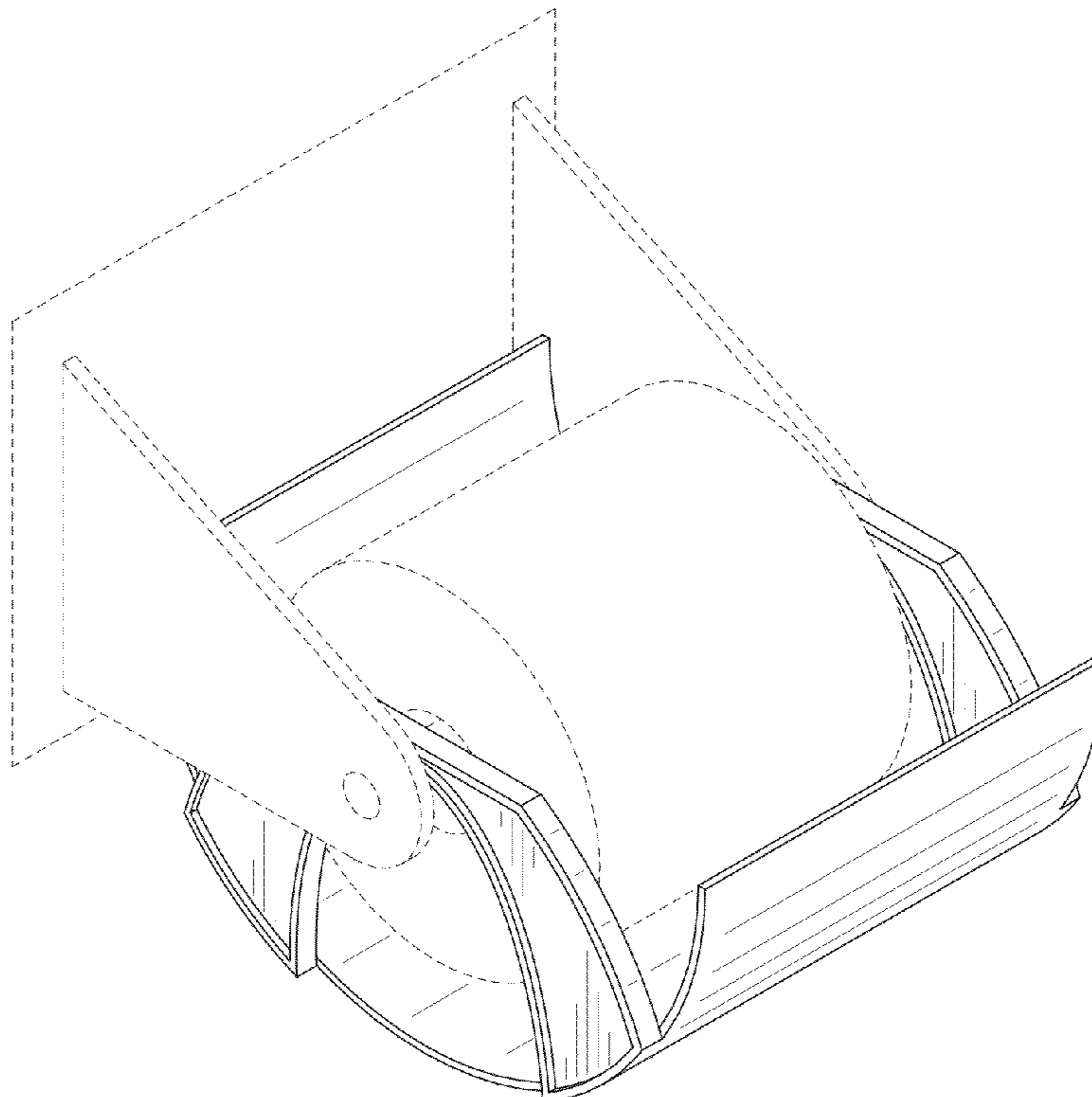


FIG. 1

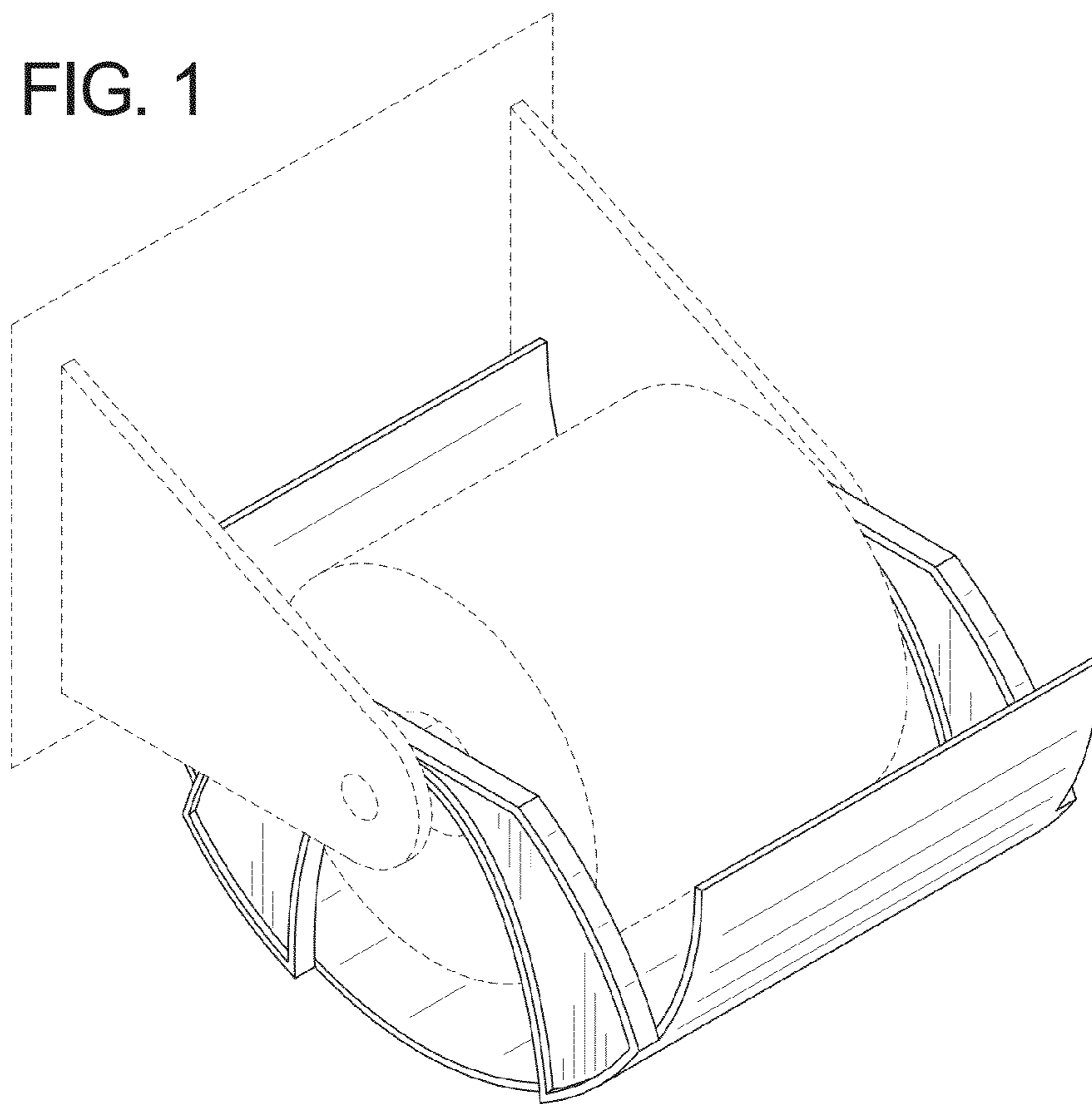


FIG. 2

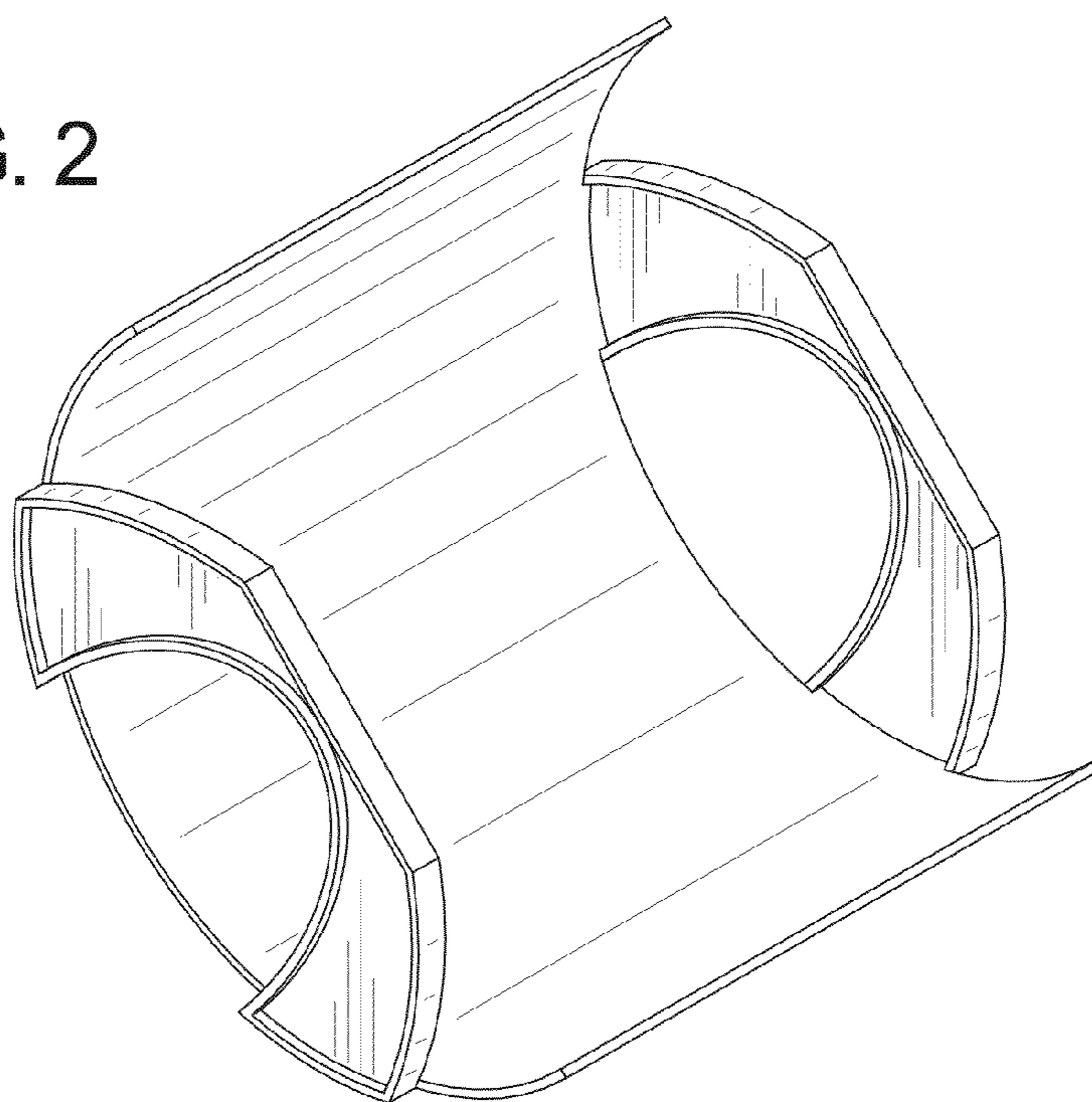


FIG. 3

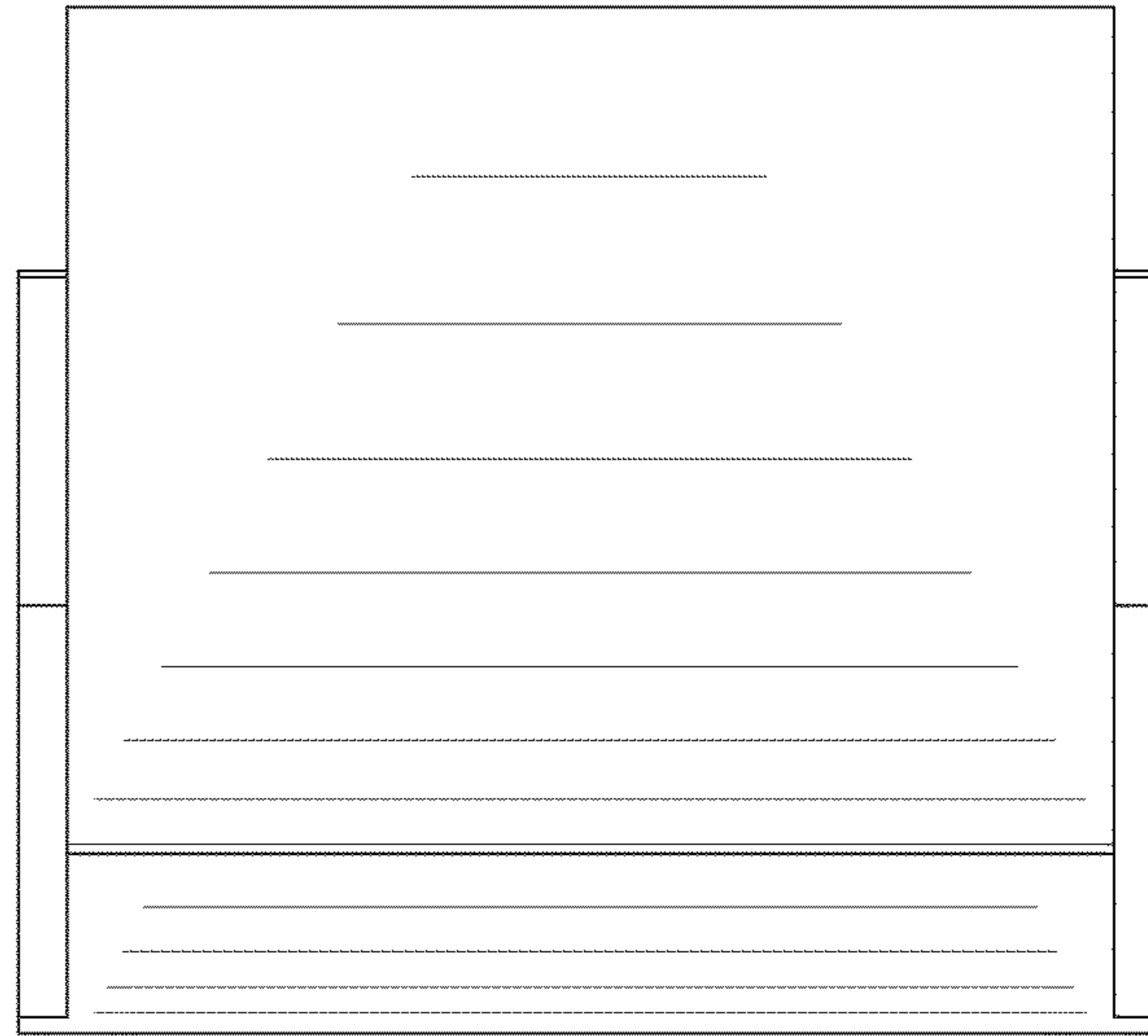


FIG. 4

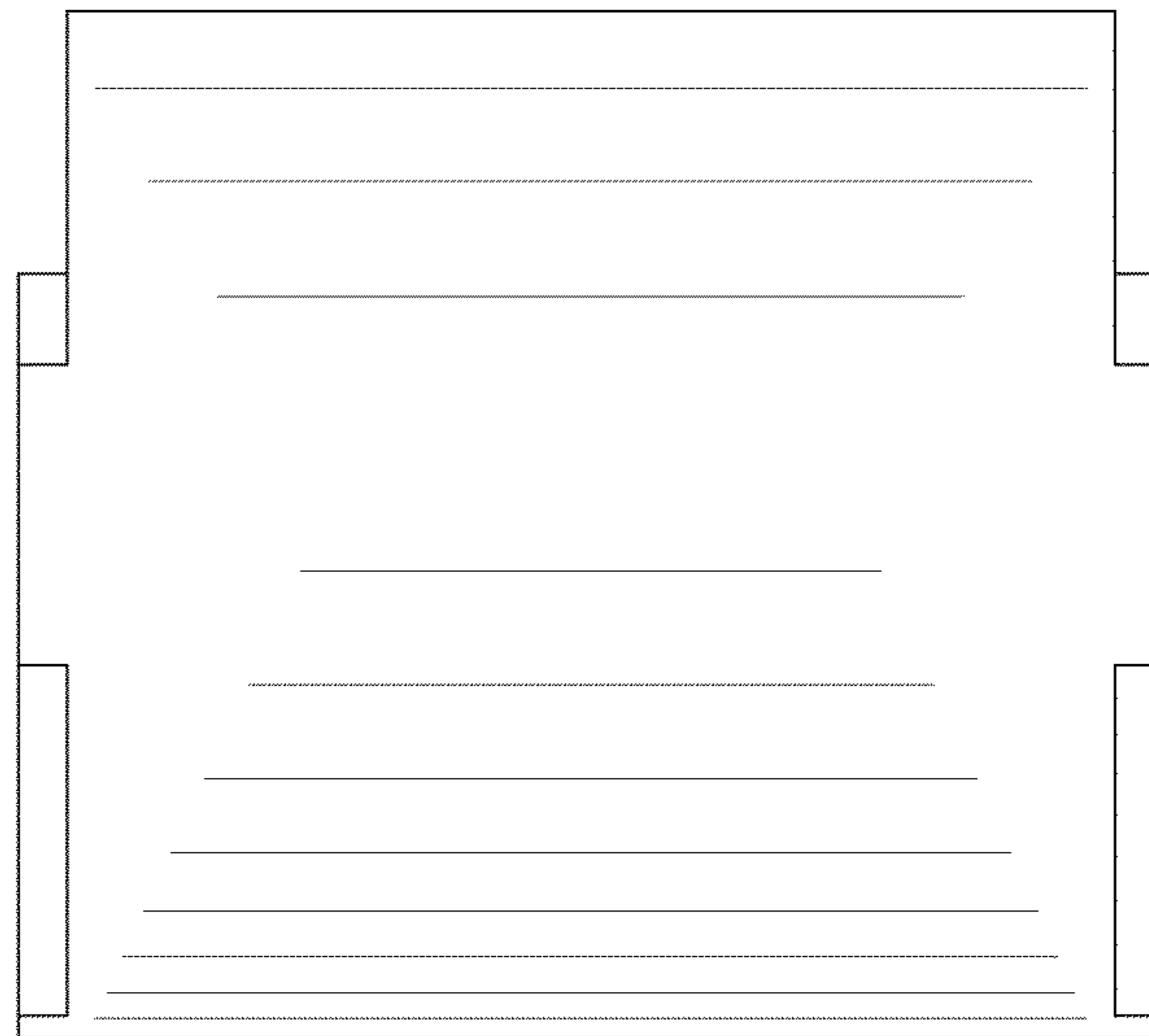


FIG. 5

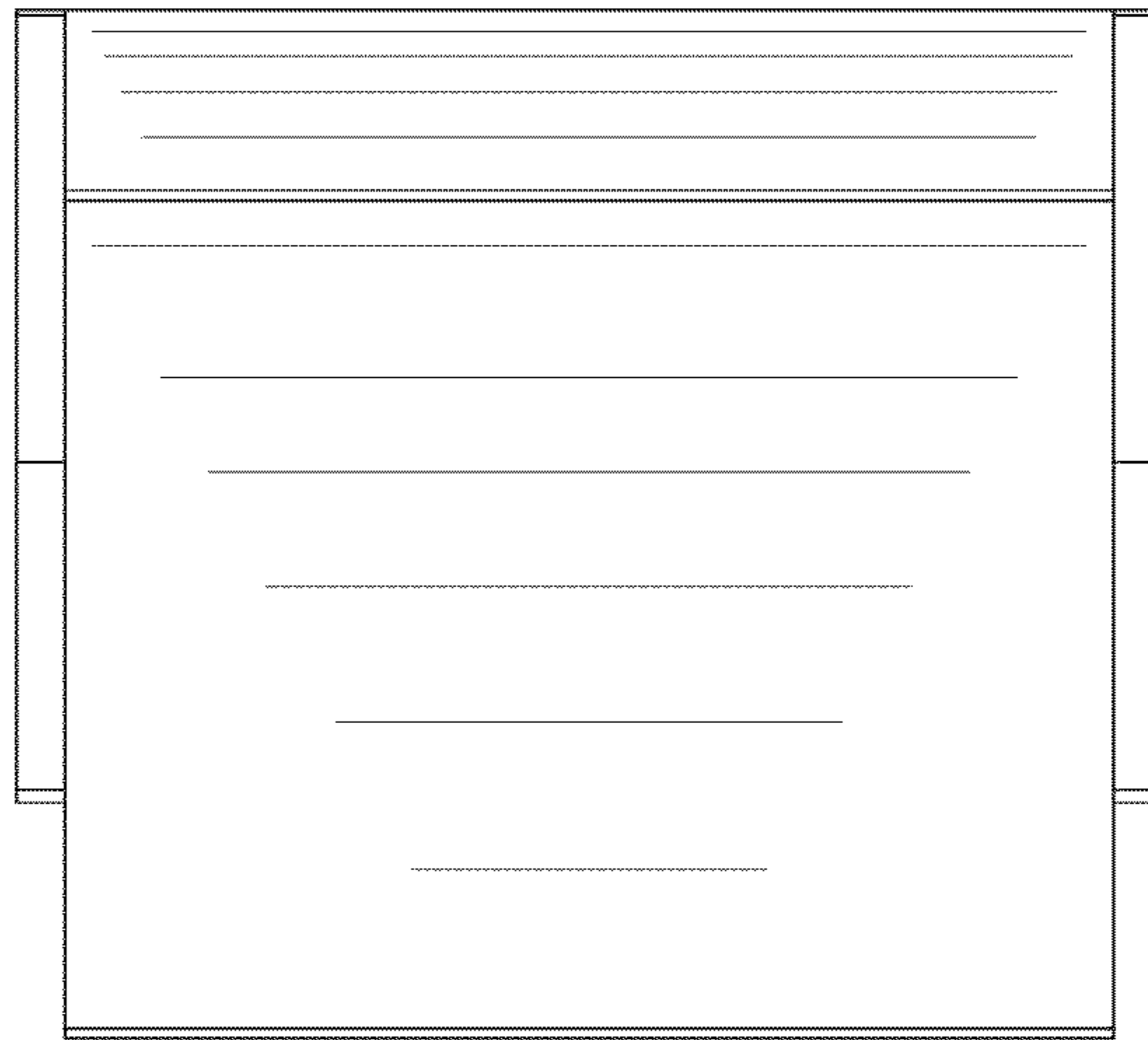


FIG. 6

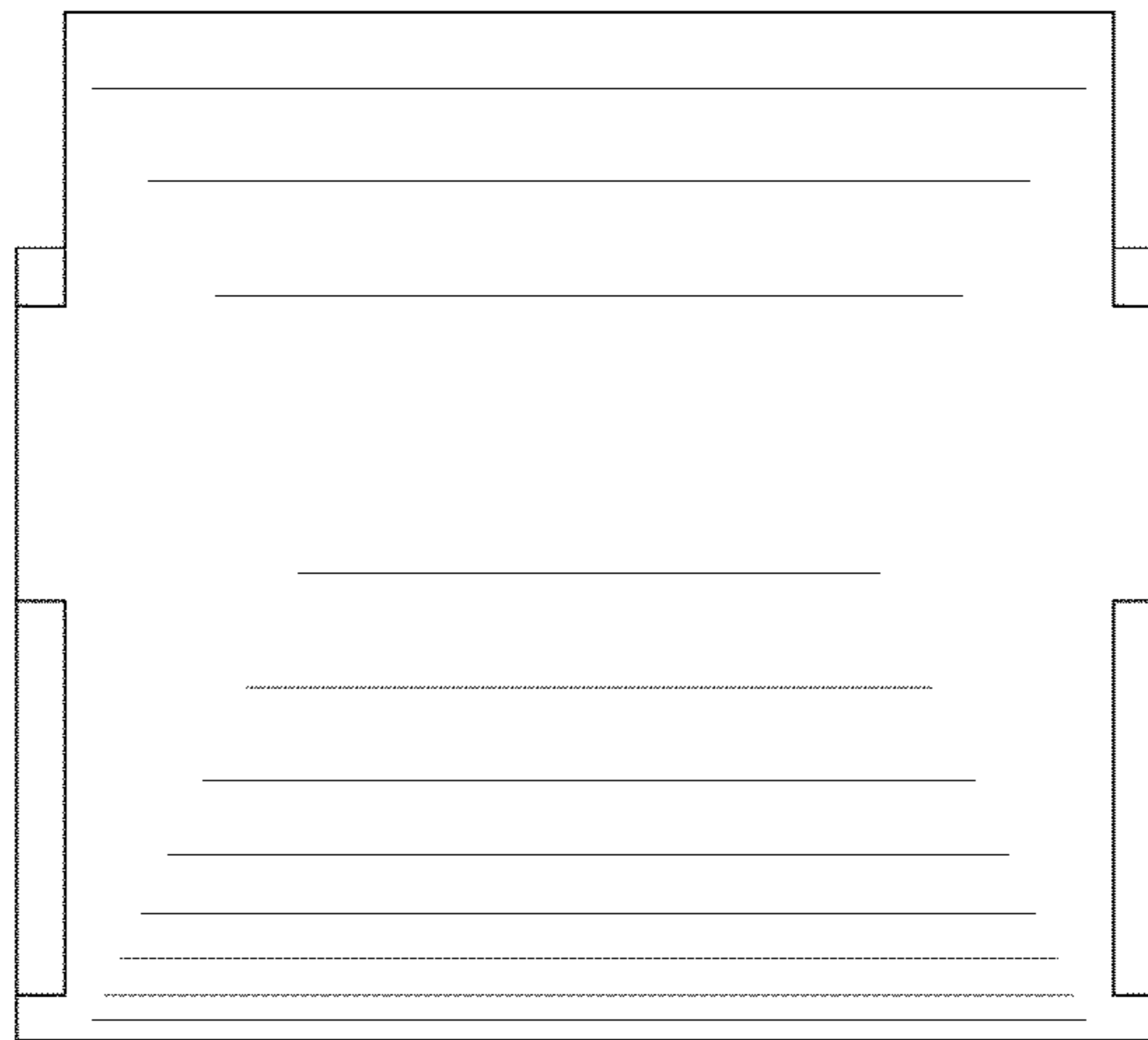


FIG. 7

