



US00D702053S

(12) **United States Design Patent**
Beucler et al.

(10) **Patent No.:** **US D702,053 S**
(45) **Date of Patent:** **** Apr. 8, 2014**

- (54) **SOFA**
- (71) Applicant: **Knoll, Inc.**, East Greenville, PA (US)
- (72) Inventors: **Pierre Beucler**, Paris (FR);
Jean-Christophe Poggioli, Paris (FR)
- (73) Assignee: **Knoll, Inc.**, East Greenville, PA (US)
- (**) Term: **14 Years**
- (21) Appl. No.: **29/470,636**
- (22) Filed: **Oct. 23, 2013**

- D306,662 S 3/1990 Gera
- D318,183 S 7/1991 Fister, Jr.
- D318,576 S 7/1991 Fister, Jr.
- D336,376 S 6/1993 Hollington
- D340,142 S 10/1993 Totoro
- D341,728 S 11/1993 Grosfillex
- D360,309 S 7/1995 Lowman
- D365,212 S 12/1995 Lowman
- D368,378 S 4/1996 Laslo
- D376,483 S 12/1996 Yamasaki
- D381,527 S 7/1997 Williams
- D383,318 S 9/1997 Chandler
- D392,469 S 3/1998 De Blaay
- D400,719 S 11/1998 Gera
- D411,385 S 6/1999 Christa et al.
- D417,558 S 12/1999 Staubach et al.
- D430,740 S 9/2000 Chun
- D439,420 S 3/2001 Natuzzi et al.
- D441,979 S 5/2001 Watson
- D443,991 S 6/2001 Picotti
- D458,466 S 6/2002 McCairley
- D475,539 S 6/2003 Savini
- D492,499 S 7/2004 Relling et al.
- D498,070 S 11/2004 Sauer
- D499,270 S 12/2004 Relling et al.

Related U.S. Application Data

- (62) Division of application No. 29/445,107, filed on Feb. 7, 2013.
- (51) **LOC (10) Cl.** **06-01**
- (52) **U.S. Cl.**
USPC **D6/381**
- (58) **Field of Classification Search**
USPC D6/334-338, 349, 355, 361, 368-370,
D6/376, 379-381, 492, 500-502, 716,
D6/716.1, 716.2; 297/16.1, 42, 94, 135,
297/175, 232, 233, 350, 351, 445.1, 448.1,
297/448.2, 451.9; 5/12.1, 12.2
See application file for complete search history.

(Continued)

Primary Examiner — Sandra Snapp
(74) *Attorney, Agent, or Firm* — Buchanan Ingersoll & Rooney PC

(57) **CLAIM**
The ornamental design for a sofa, as shown and described.

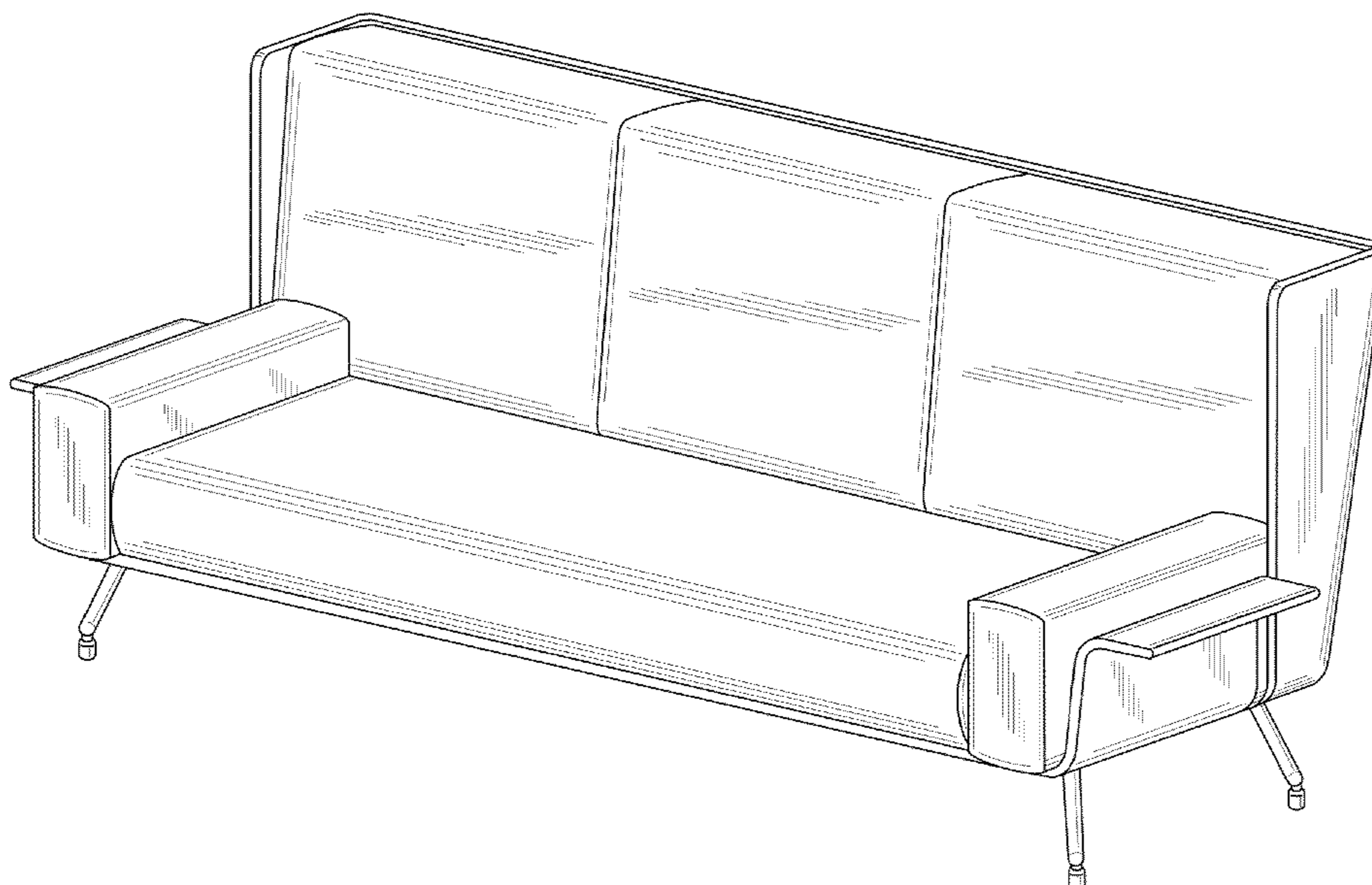
DESCRIPTION

FIG. 1 is a perspective view of a sofa showing our new design; FIG. 2 is a front elevational view thereof; FIG. 3 is a rear elevational view thereof; FIG. 4 is a top plan view thereof; FIG. 5 is a right side elevational view thereof; and, FIG. 6 is a left side elevational view thereof.

1 Claim, 5 Drawing Sheets

(56) **References Cited**
U.S. PATENT DOCUMENTS

- D187,917 S 5/1960 Spound
- D222,451 S 10/1971 Lamb
- D252,060 S 6/1979 Prevost
- D253,439 S 11/1979 Prevost
- D261,702 S 11/1981 Whalen
- D278,581 S 4/1985 Melchior
- D288,505 S 3/1987 Yamasaki



(56)

References Cited

U.S. PATENT DOCUMENTS

D504,782 S 5/2005 Moser
D505,561 S 5/2005 Ricci
D506,092 S 6/2005 Moser
D535,124 S 1/2007 Garcia
D543,716 S 6/2007 Votteler et al.
D551,875 S 10/2007 Ricci
D554,917 S 11/2007 Hutton
D558,468 S 1/2008 Lade
D558,469 S 1/2008 Lade

D577,498 S 9/2008 Schmitt
D606,325 S 12/2009 Gharabegian
D616,215 S 5/2010 Andersen
D616,656 S 6/2010 Denton
D616,657 S 6/2010 Denton
D626,756 S 11/2010 Flender et al.
D630,450 S 1/2011 Wold
D633,312 S 3/2011 Wold
D633,725 S 3/2011 Massaud
D633,726 S 3/2011 Wold
D633,727 S 3/2011 Wold
D687,241 S * 8/2013 Beucler et al. D6/381

* cited by examiner

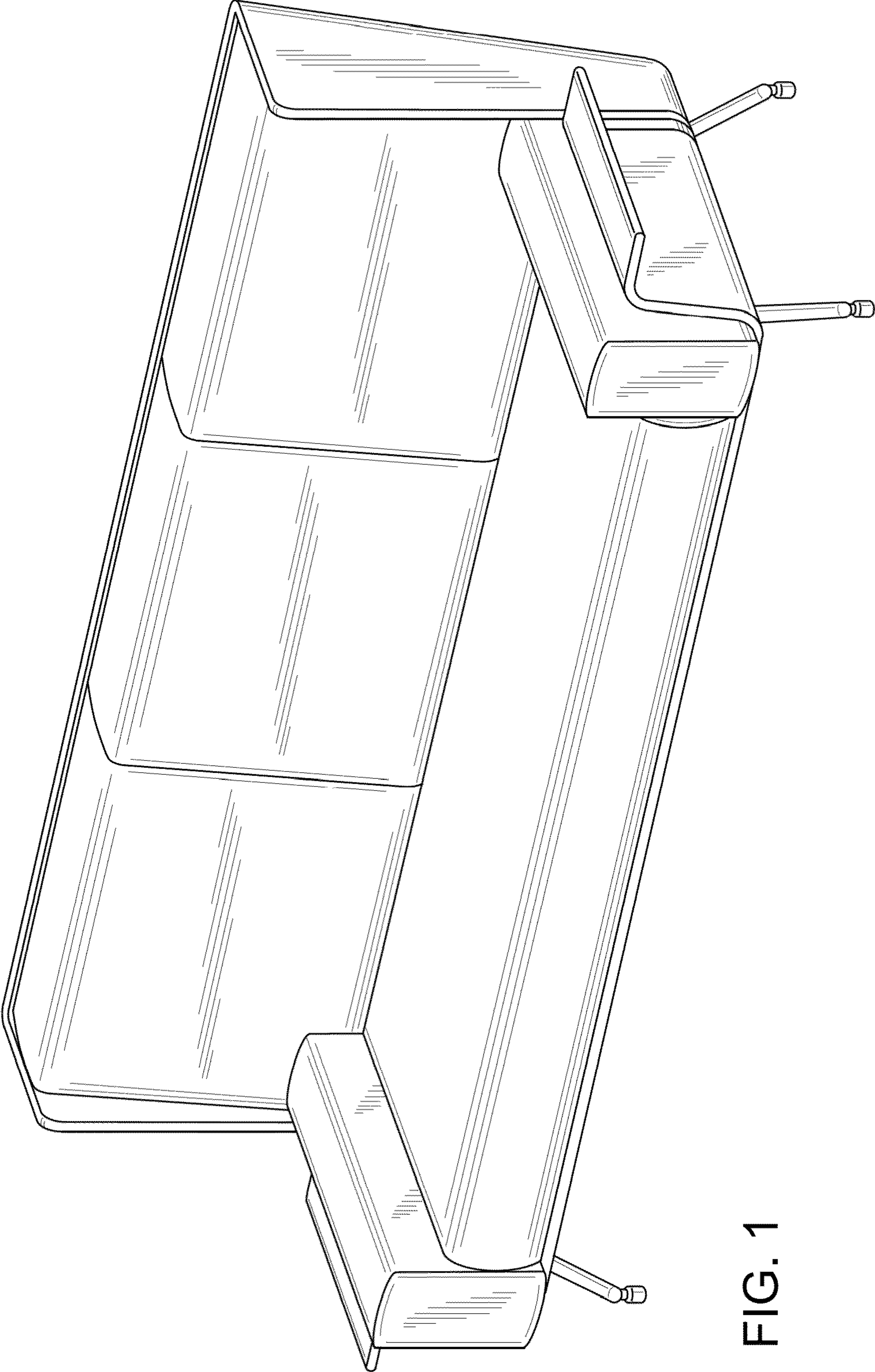


FIG. 1

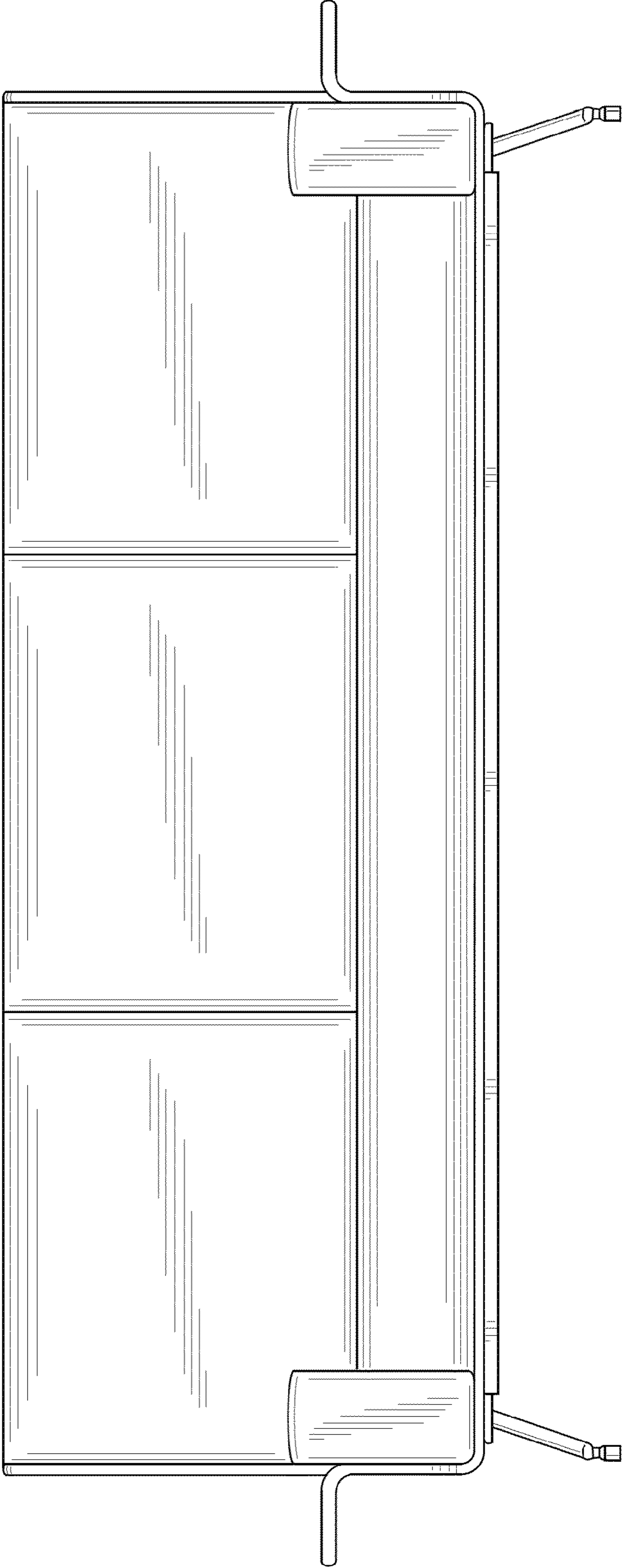


FIG. 2

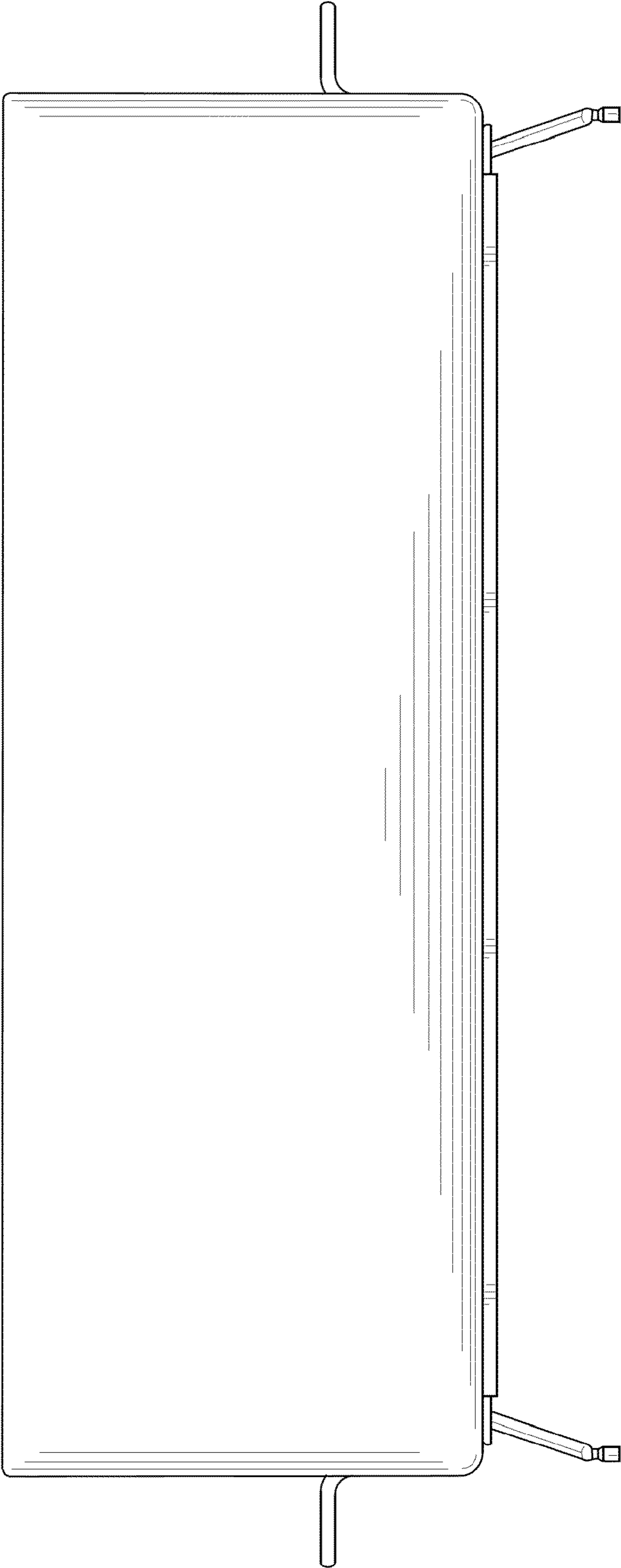


FIG. 3

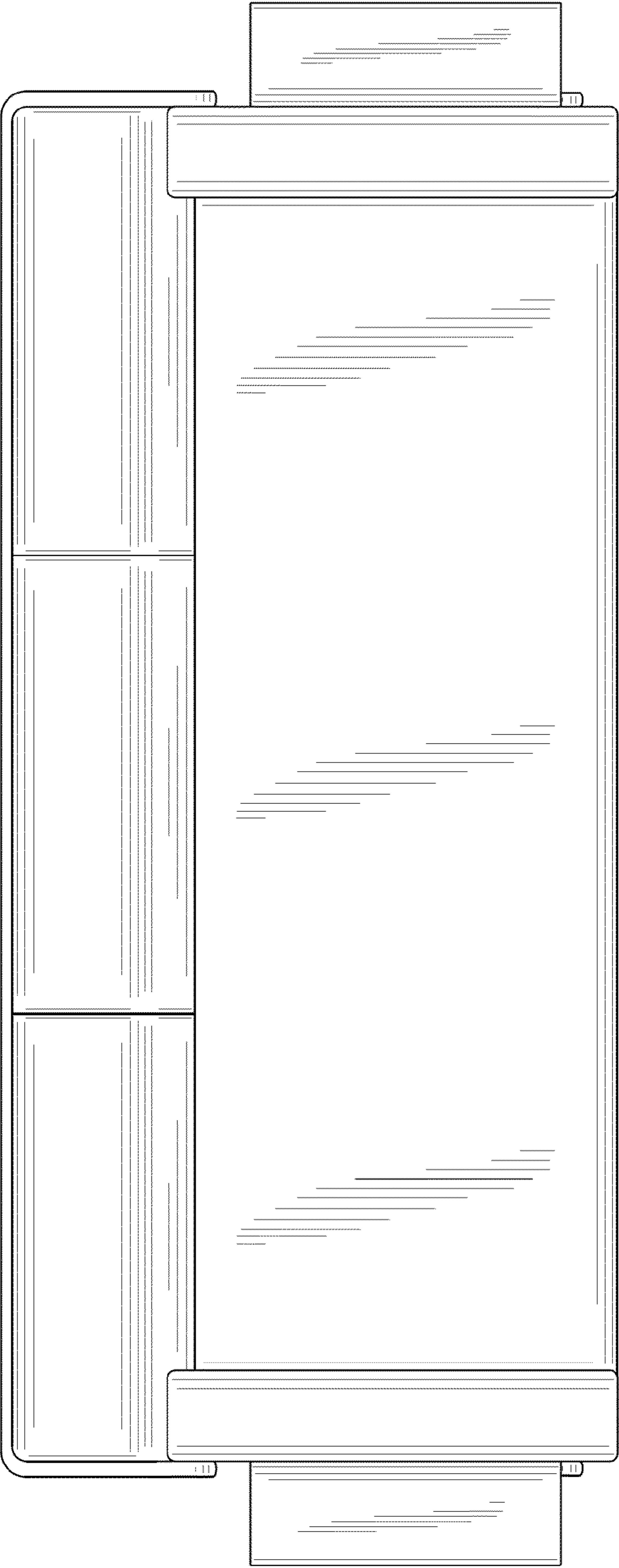


FIG. 4

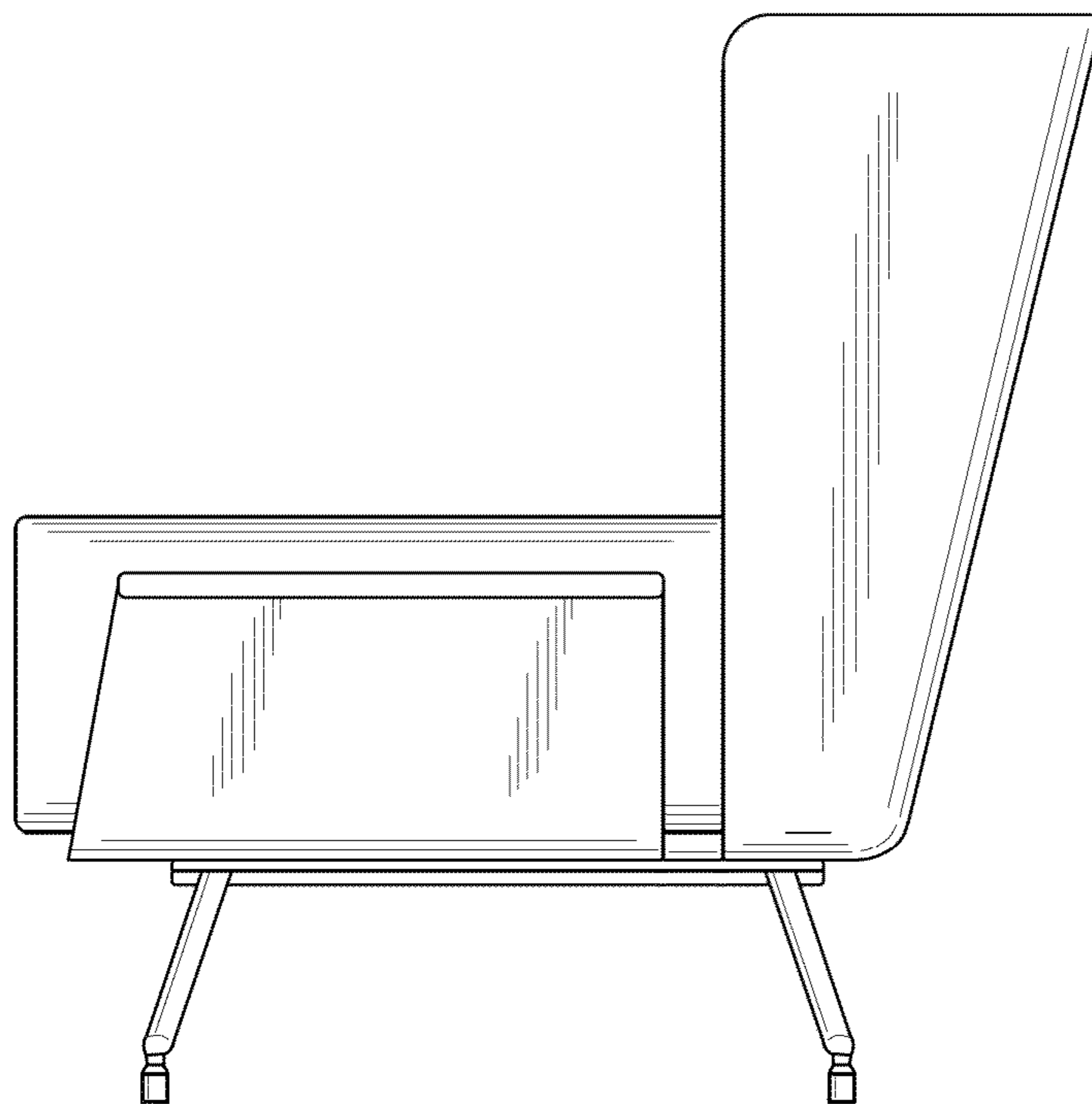


FIG. 5

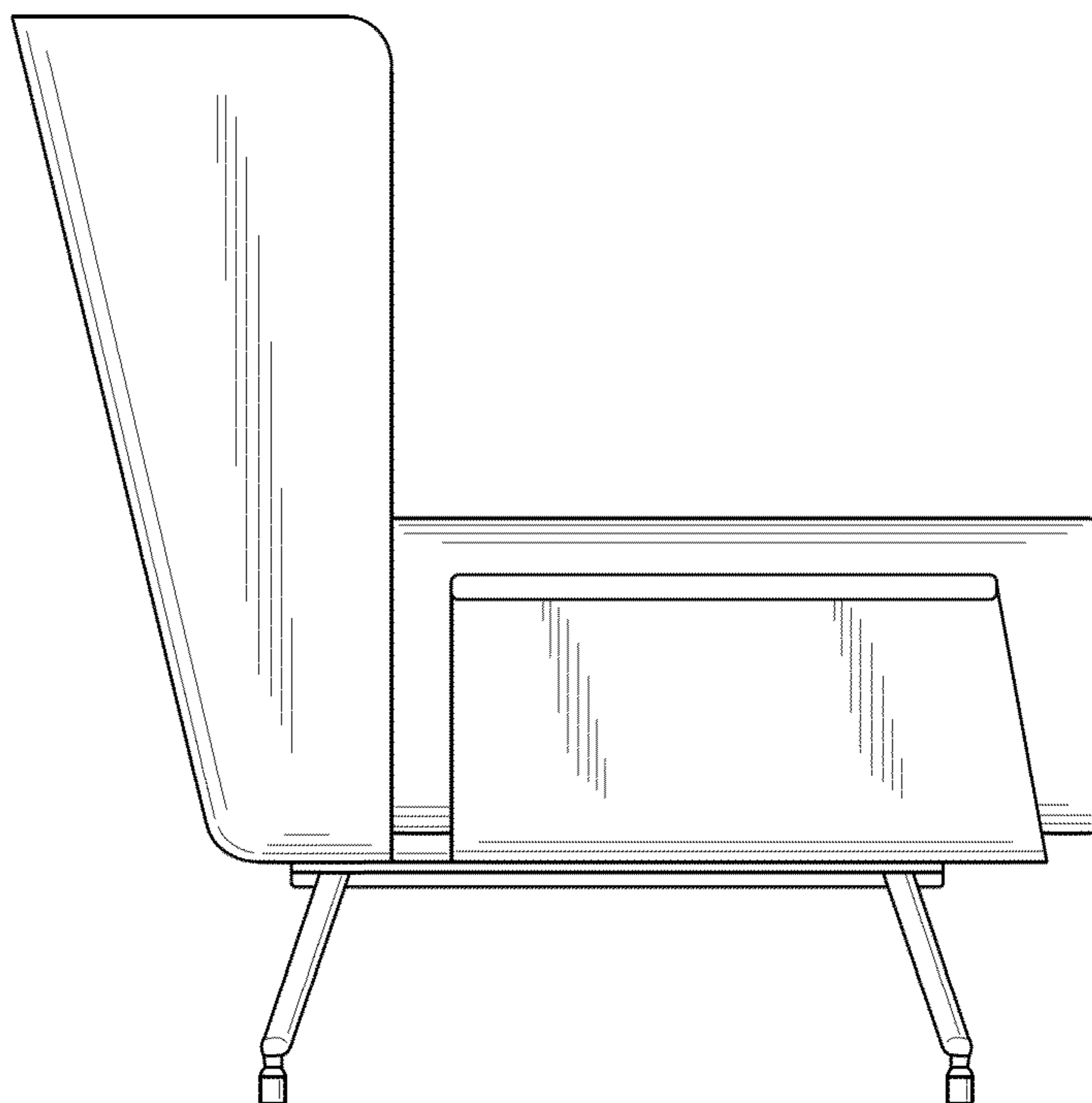


FIG. 6