



US00D702052S

(12) **United States Design Patent**
Wiegmann et al.

(10) **Patent No.:** **US D702,052 S**
(45) **Date of Patent:** **** Apr. 8, 2014**

(54) **INFANT CARE APPARATUS**
(71) Applicant: **Thorley Industries LLC**, Pittsburgh, PA (US)
(72) Inventors: **Elijah M. Wiegmann**, Pittsburgh, PA (US); **Richard L. Lane**, Pittsburgh, PA (US); **Robert D. Daley**, Pittsburgh, PA (US); **Frederick Karl Hopke**, Glenshaw, PA (US)
(73) Assignee: **Thorley Industries LLC**, Pittsburgh, PA (US)

5,509,721 A 4/1996 Huang
5,617,594 A 4/1997 Chien
5,711,045 A 1/1998 Caster et al.
6,068,566 A 5/2000 Kim
6,378,940 B1 4/2002 Longoria et al.
6,574,806 B1 6/2003 Maher
D480,884 S 10/2003 Kane et al.
6,811,217 B2 11/2004 Kane et al.
6,851,745 B2 2/2005 nee Wilkins et al.
6,966,082 B2 11/2005 Bloemer et al.
D513,130 S 12/2005 Canna et al.
6,971,127 B2 12/2005 Richards
D518,967 S 4/2006 Canna et al.
D560,374 S 1/2008 Bergkvist
7,395,560 B2 7/2008 Bloemer et al.
D602,266 S 10/2009 Hagstrom
D611,257 S 3/2010 Jacobs et al.
D612,621 S 3/2010 Ekstrom
D615,909 S 5/2010 Thorne et al.

(**) Term: **14 Years**
(21) Appl. No.: **29/466,051**

(22) Filed: **Sep. 4, 2013**

(51) **LOC (10) Cl.** **06-01**

(52) **U.S. Cl.**
USPC **D6/344**

(58) **Field of Classification Search**
USPC D6/333, 334, 335, 336, 344, 348, 375, D6/715, 716, 716.1, 716.2, 716.4; D21/412; 297/250.1, 258.1, 260.1, 297/256.16, 274, 296, 344.17, 440.11, 297/452.13, 452.2, 452.19; 472/118, 119; 5/105, 108, 109

See application file for complete search history.

(56) **References Cited**

U.S. PATENT DOCUMENTS

D282,791 S 3/1986 Lockett, III et al.
4,620,334 A 11/1986 Robinson
D297,685 S 9/1988 Wilson
4,970,740 A 11/1990 Crawford
D321,599 S 11/1991 Takahashi et al.
5,107,555 A 4/1992 Thrasher
5,342,113 A 8/1994 Wu
5,411,315 A 5/1995 Greenwood

(Continued)

FOREIGN PATENT DOCUMENTS

DE 202005017014 U1 1/2006

Primary Examiner — Mimoso De

(74) *Attorney, Agent, or Firm* — The Webb Law Firm

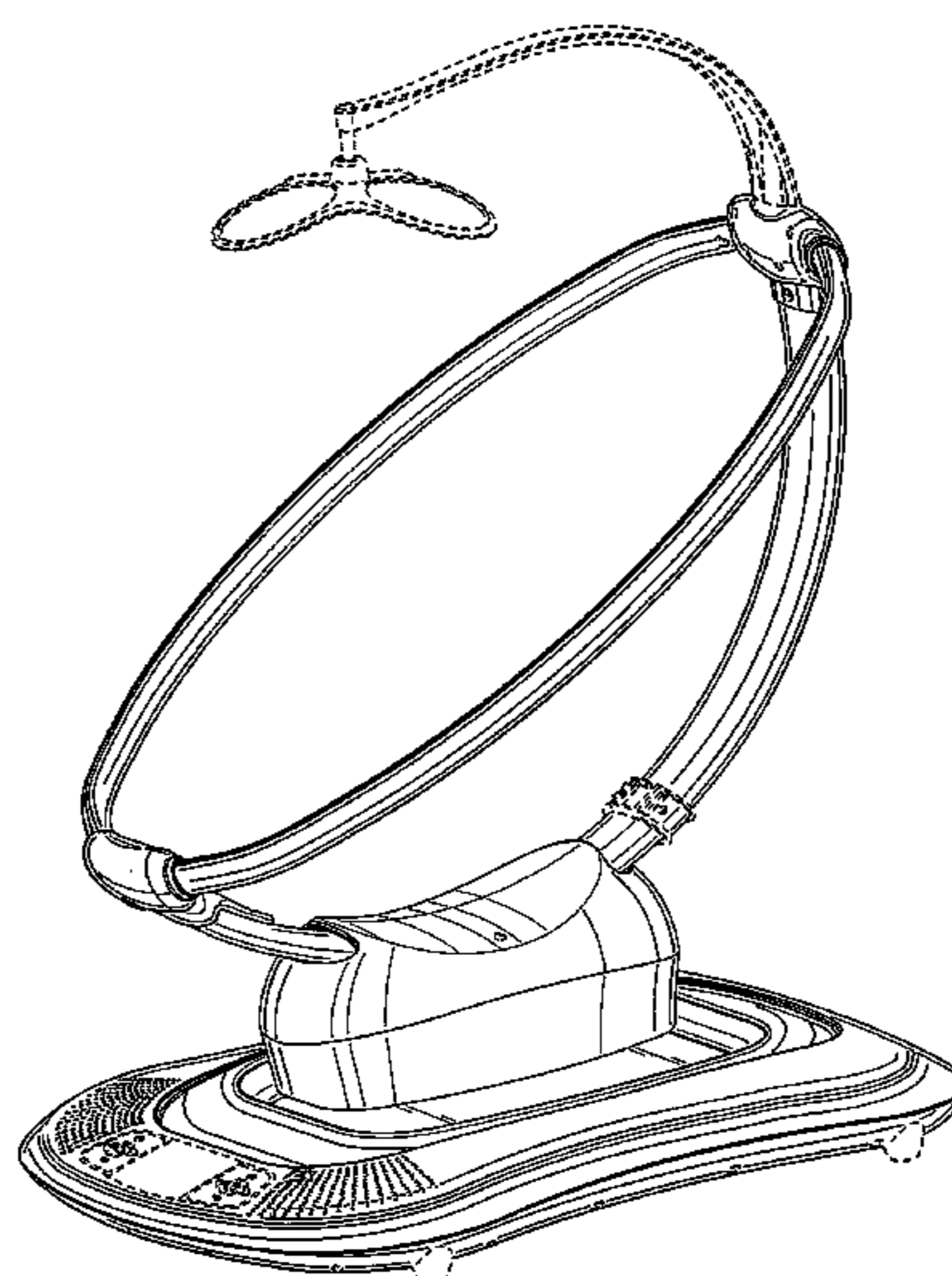
(57) **CLAIM**

The ornamental design for an infant care apparatus, as shown and described.

DESCRIPTION

FIG. 1 is a front perspective view of an infant care apparatus in accordance with the present invention; FIG. 2 is a front side view thereof; FIG. 3 is a rear side view thereof; FIG. 4 is a right side view thereof; FIG. 5 is a left side view thereof; FIG. 6 is a top plan view thereof; and, FIG. 7 is a bottom plan view thereof. The broken lines illustrating portions of the infant care apparatus form no part of the claimed design.

1 Claim, 7 Drawing Sheets



(56)

References Cited

U.S. PATENT DOCUMENTS

D619,817 S 7/2010 Gower et al.
D623,429 S 9/2010 Plested et al.
7,845,728 B2* 12/2010 Chen et al. 297/274
D637,828 S * 5/2011 Horn et al. D6/344
D645,264 S 9/2011 Wiegmann et al.
D651,817 S * 1/2012 Horn et al. D6/344
D655,113 S 3/2012 Wiegmann et al.

D660,026 S * 5/2012 Shi D6/347
8,197,005 B2 6/2012 Hopke et al.
8,239,984 B2 8/2012 Hopke et al.
D680,764 S * 4/2013 Chen D6/344
D688,884 S * 9/2013 Lane et al. D6/344
D691,381 S * 10/2013 Kittilsen et al. D6/344
2005/0060805 A1 3/2005 Chen
2005/0091743 A1 5/2005 Bloemer et al.
2008/0136236 A1 6/2008 Kincaid et al.
2008/0179928 A1 7/2008 Chen et al.

* cited by examiner

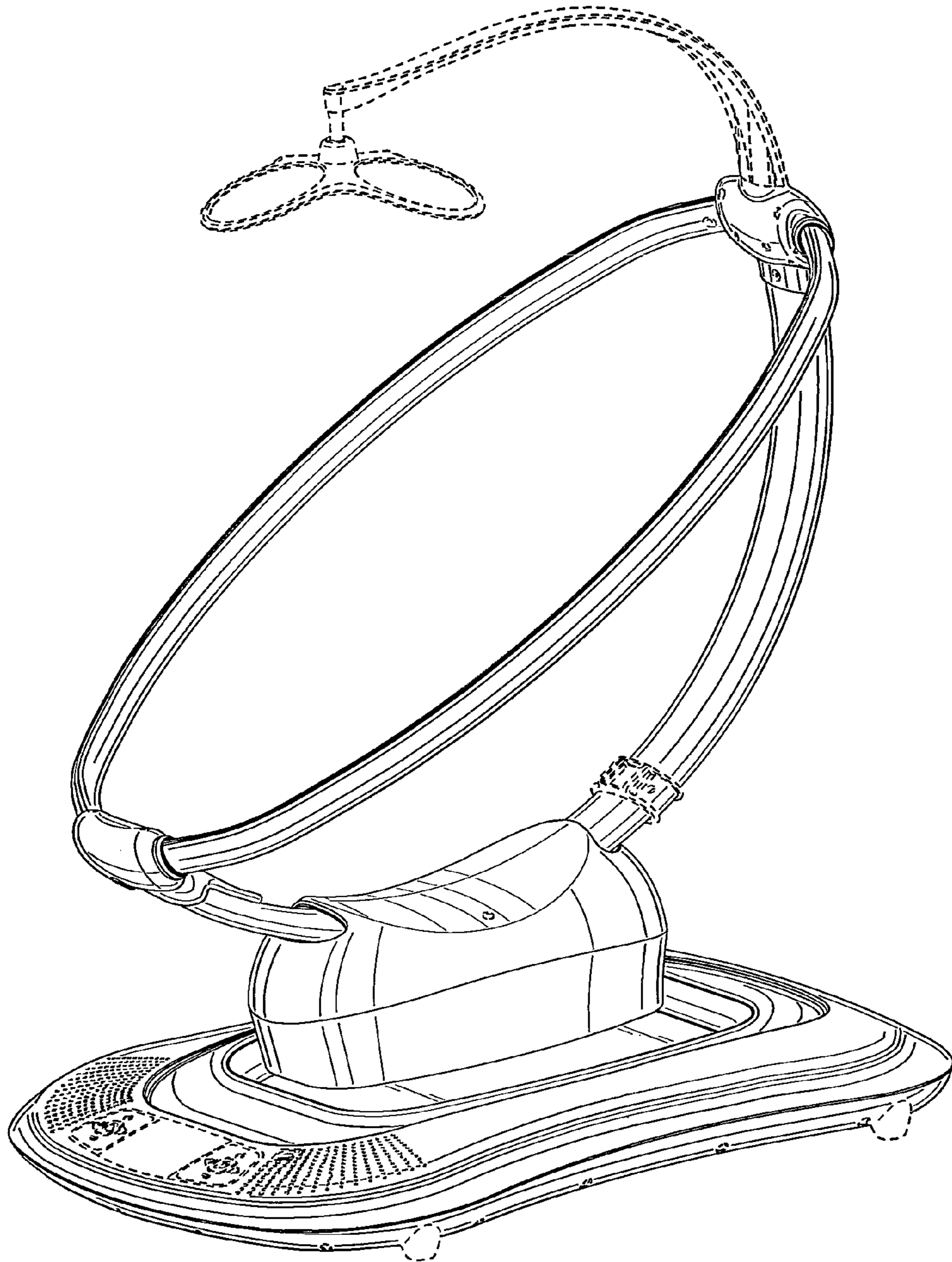


FIG. 1

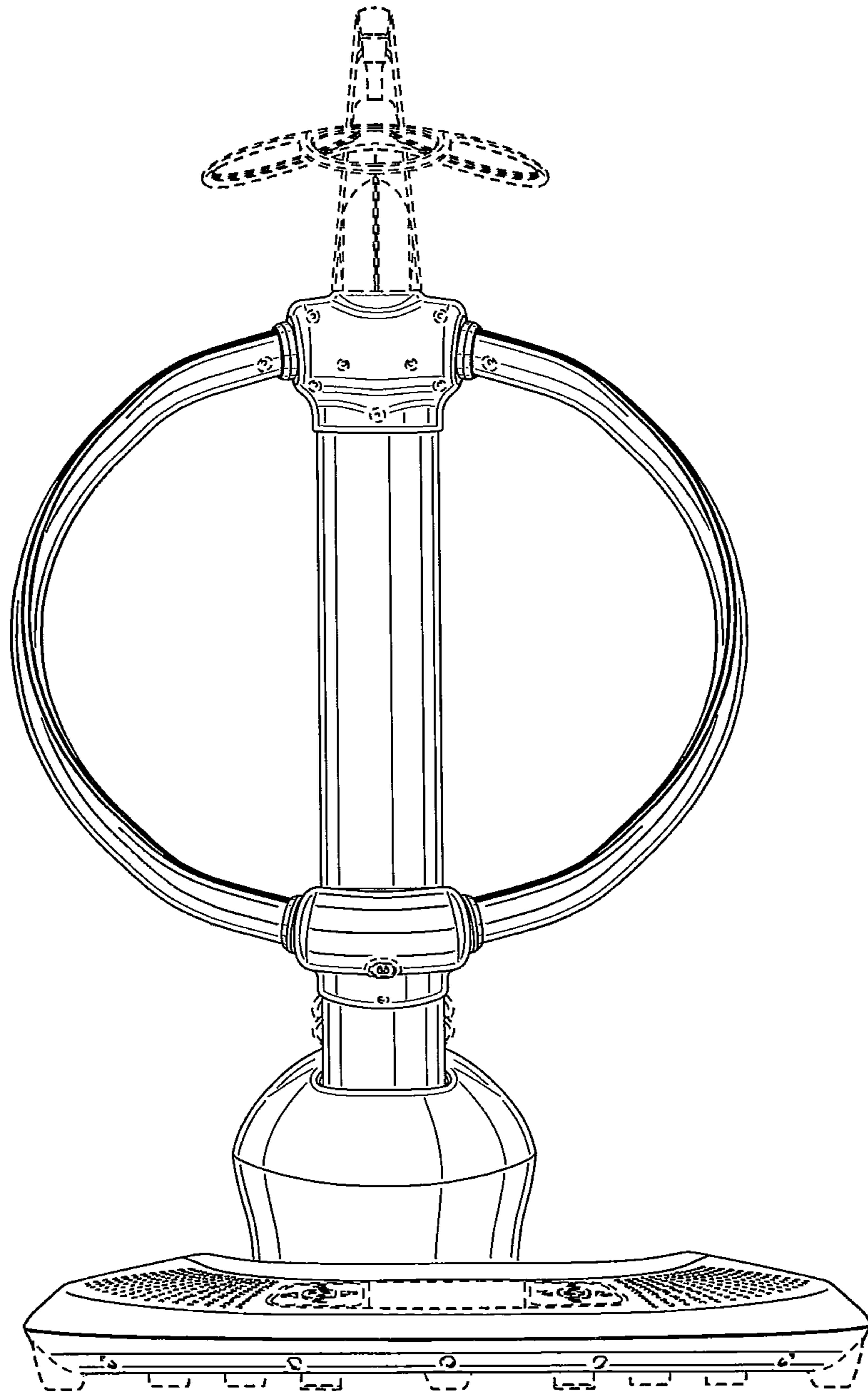


FIG. 2

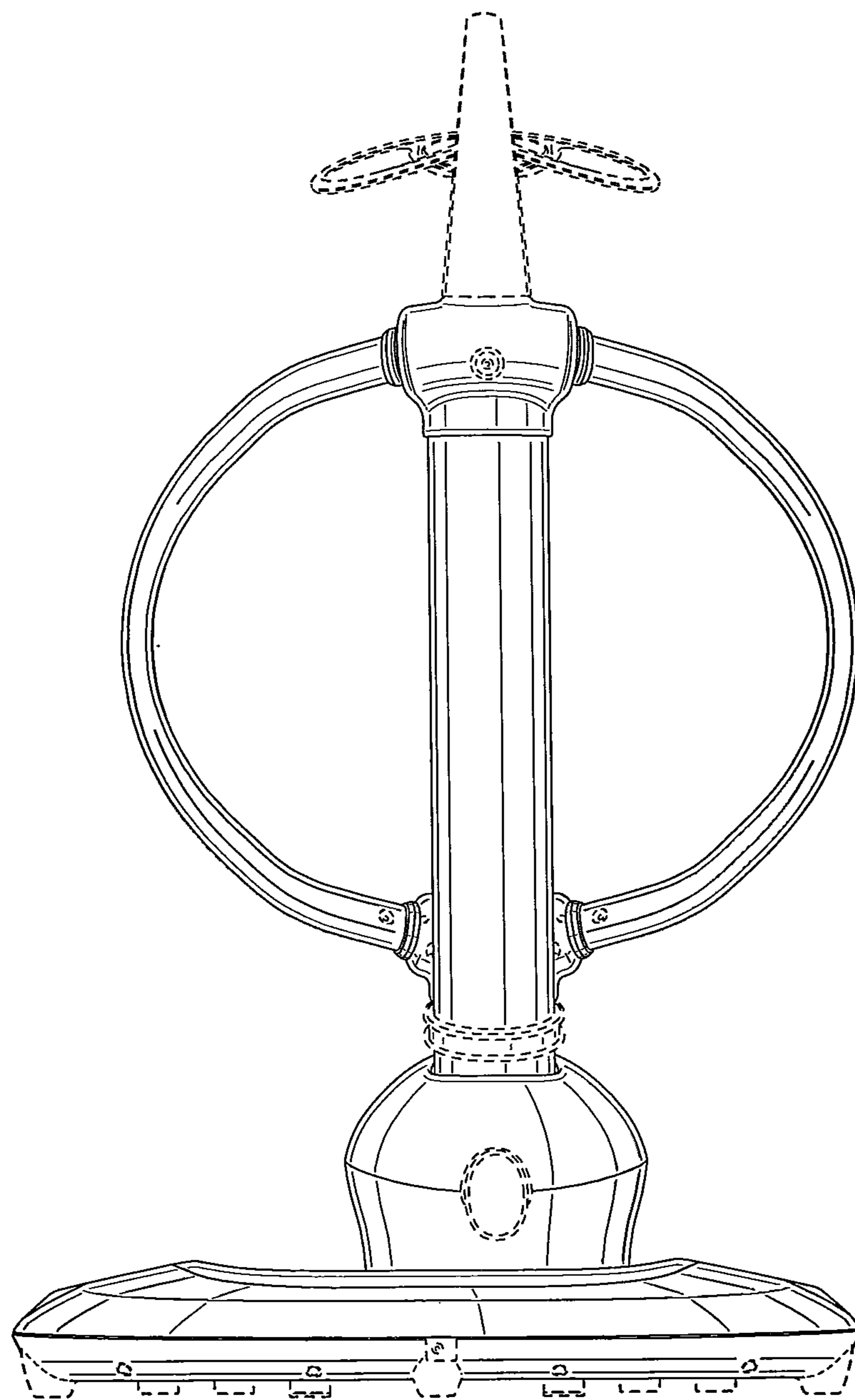


FIG. 3

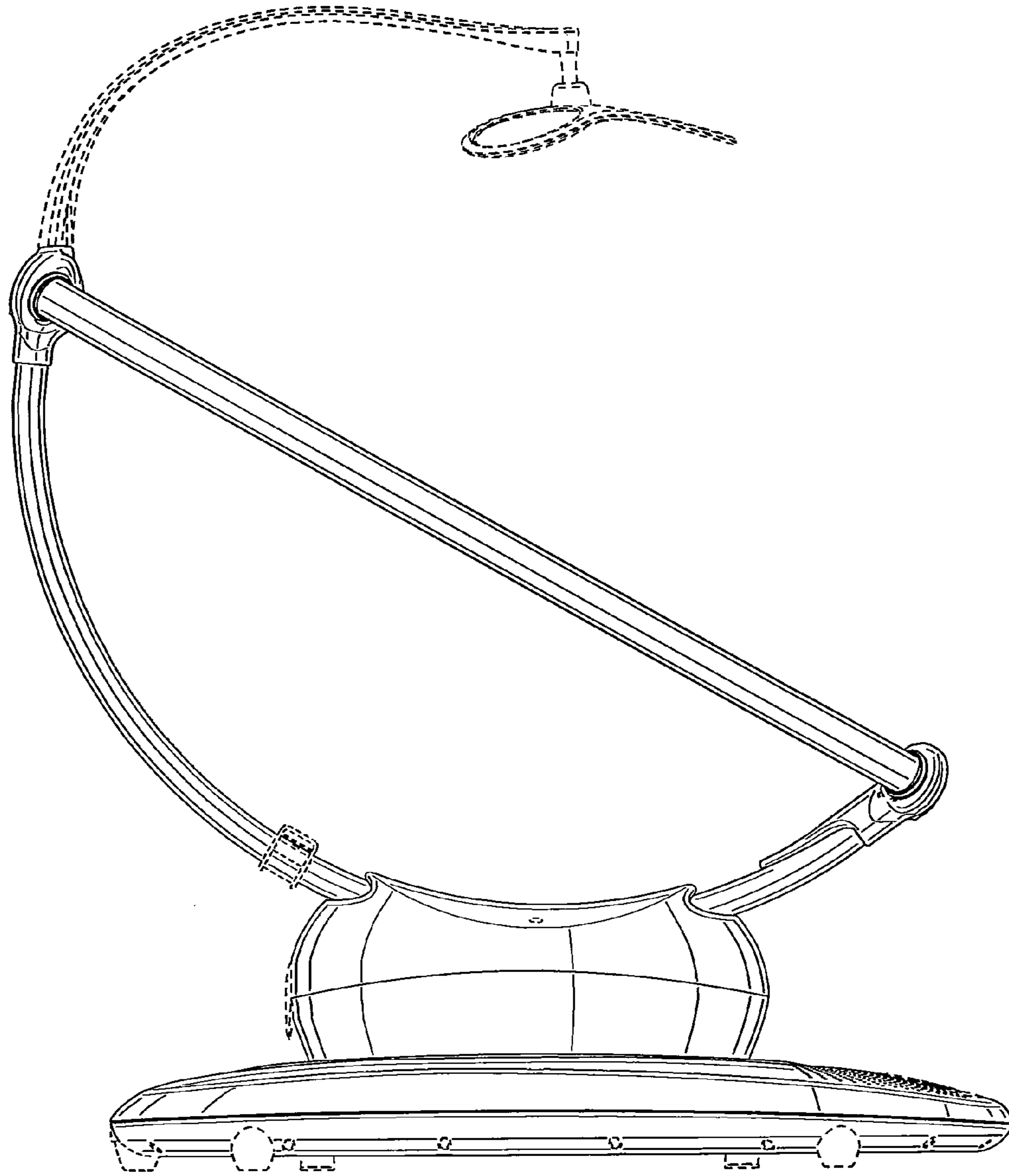


FIG. 4

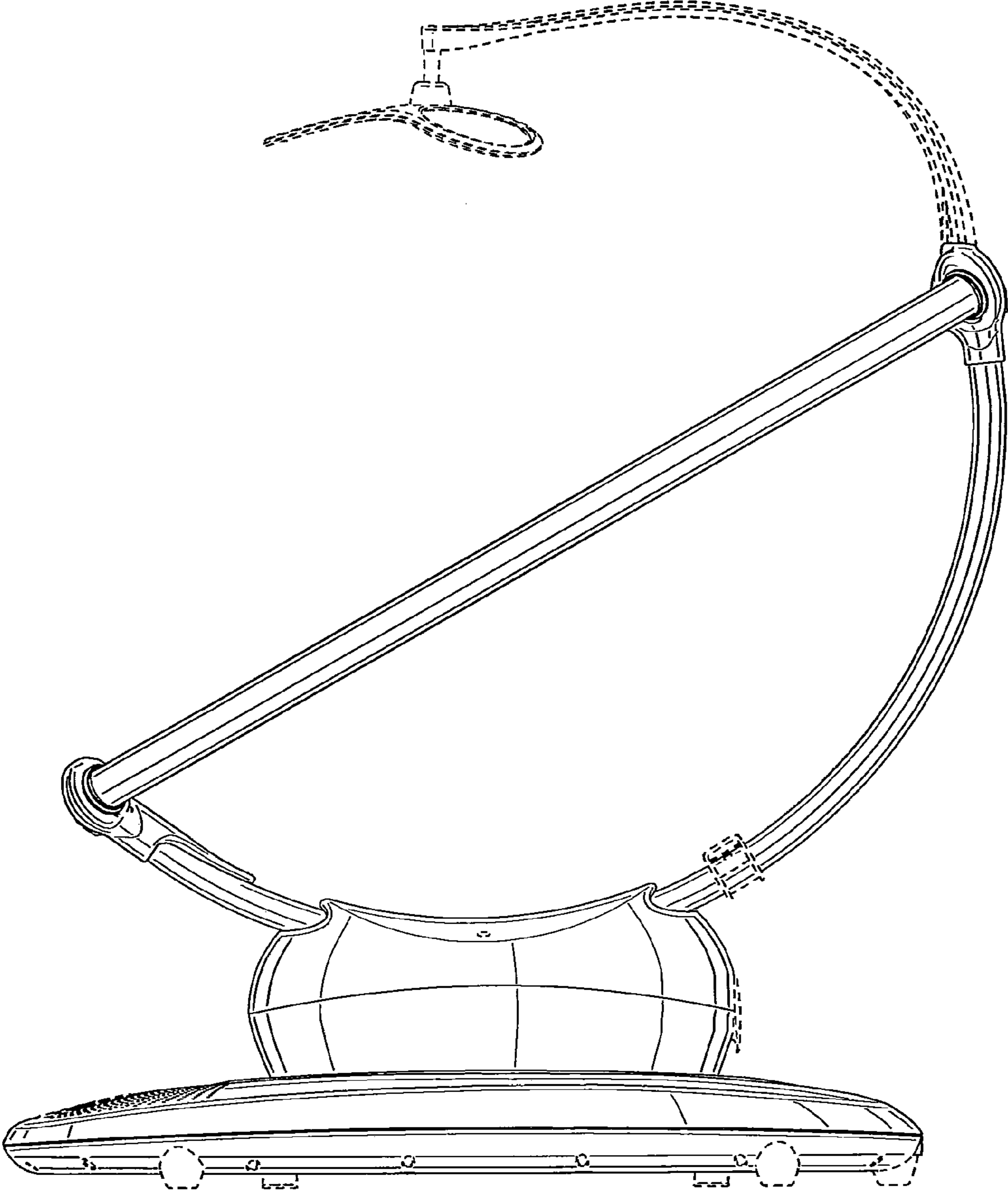


FIG. 5

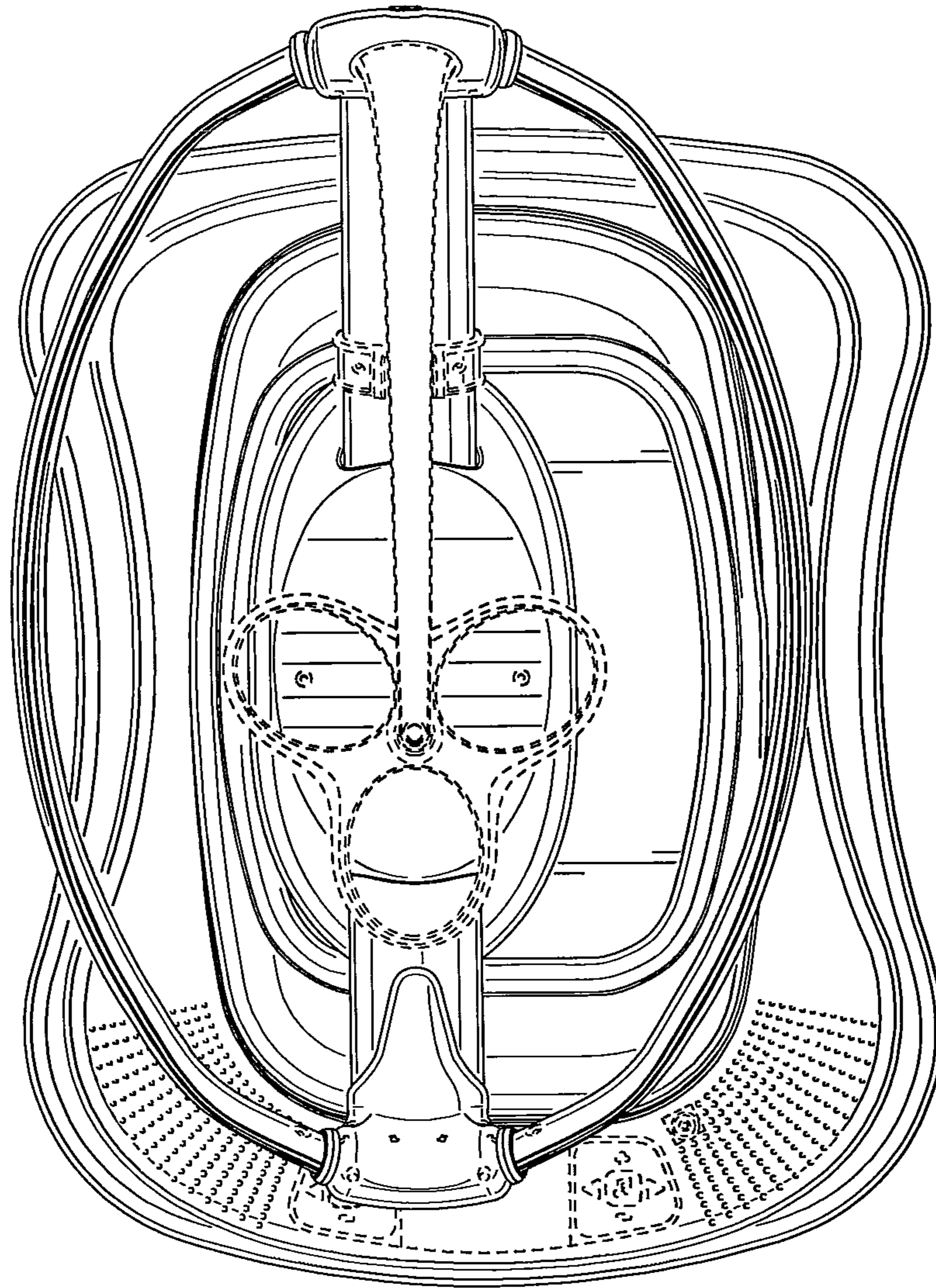


FIG. 6

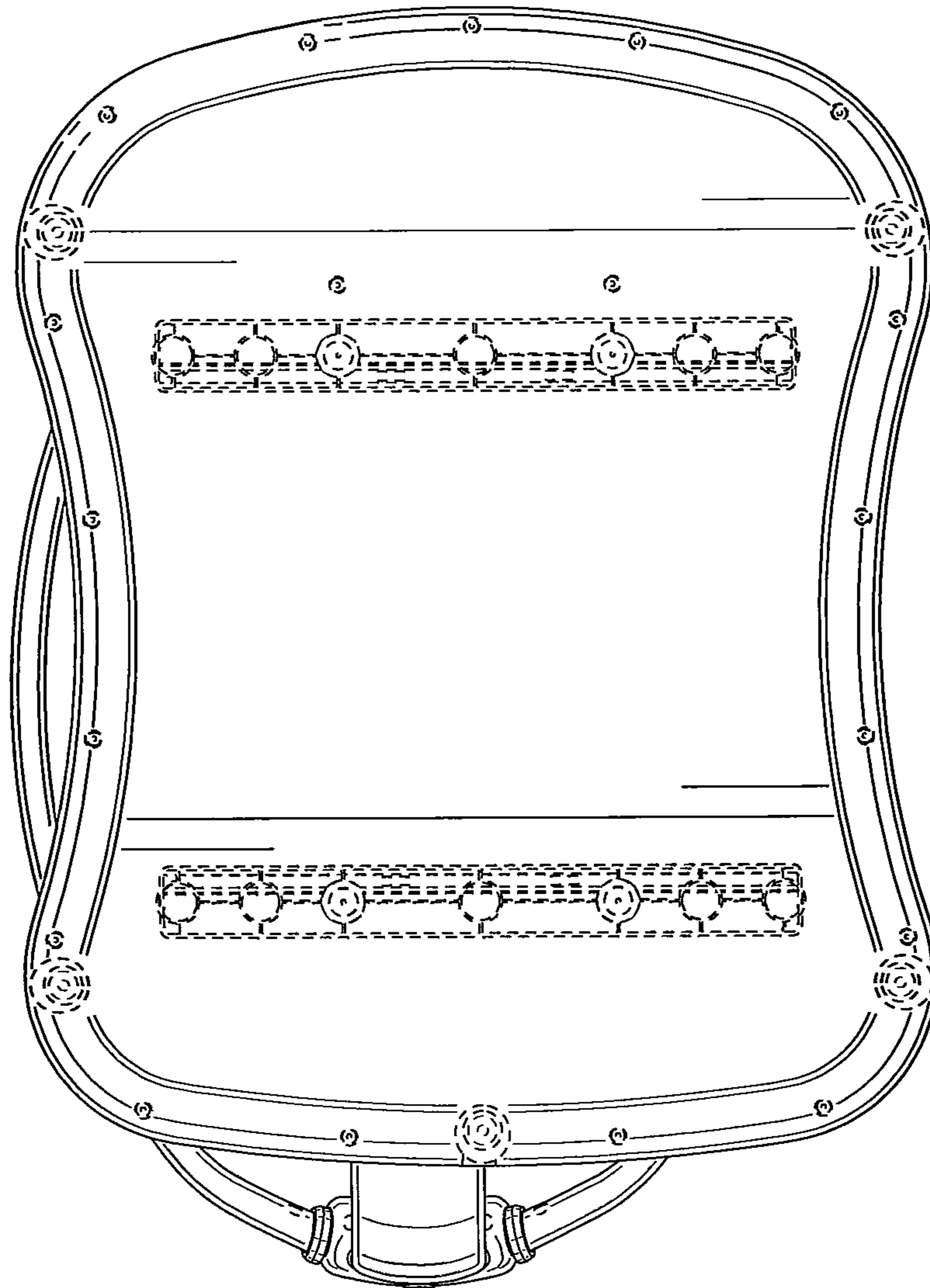


FIG. 7