



US00D702048S

(12) **United States Design Patent**  
**Fung**

(10) **Patent No.:** **US D702,048 S**  
(45) **Date of Patent:** **\*\* Apr. 8, 2014**

- (54) **FOLDABLE MIRROR**
- (71) Applicant: **Conair Corporation**, Stamford, CT (US)
- (72) Inventor: **Kam Fai Fung**, Hong Kong (CN)
- (73) Assignee: **Conair Corporation**, Stamford, CT (US)
- (\*\*) Term: **14 Years**
- (21) Appl. No.: **29/457,050**
- (22) Filed: **Jun. 6, 2013**
- (51) **LOC (10) Cl.** ..... **06-07**
- (52) **U.S. Cl.**  
USPC ..... **D6/309**
- (58) **Field of Classification Search**  
USPC ..... D6/300-314; 40/720-722, 700, 711, 40/719, 714-716; D11/131, 133-135; D20/29-32; 359/838, 871-872; D8/352  
See application file for complete search history.

6,955,329	B1	10/2005	Shieh	
7,048,406	B1	5/2006	Shih	
D578,777	S *	10/2008	Lee	D6/309
7,824,074	B2 *	11/2010	Liou et al.	362/269
D649,790	S *	12/2011	Pitot	D6/309
D652,220	S *	1/2012	Pitot	D6/309
8,162,502	B1 *	4/2012	Zadro	362/141
8,356,908	B1 *	1/2013	Zadro	362/136
2009/0108165	A1	4/2009	Huang	

\* cited by examiner

*Primary Examiner* — Cathron Brooks  
*Assistant Examiner* — Sydney R Buffalow  
(74) *Attorney, Agent, or Firm* — Carter, DeLuca, Farrell & Schmidt, LLP

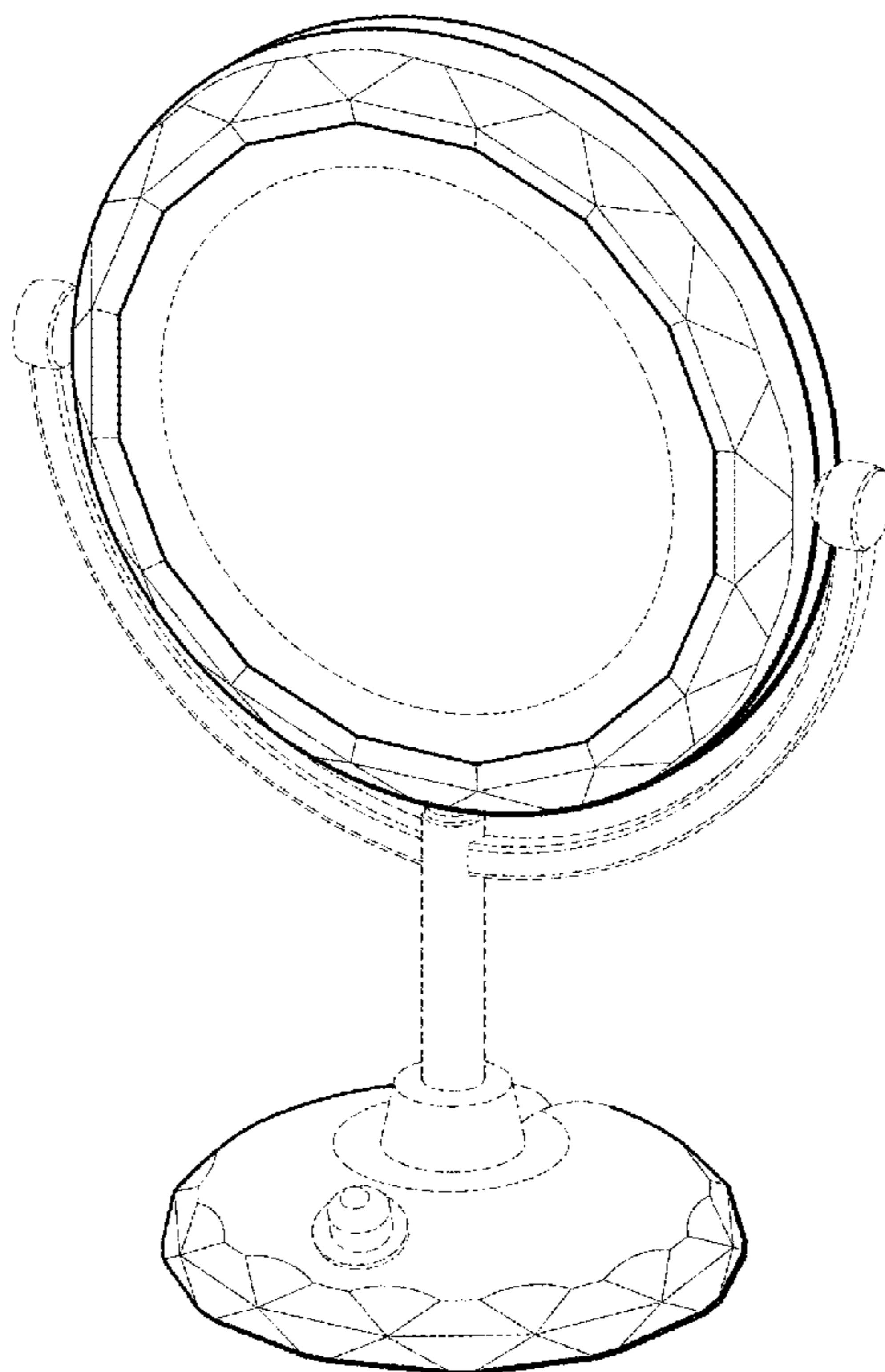
(57) **CLAIM**  
The ornamental design for the foldable mirror, as shown and described.

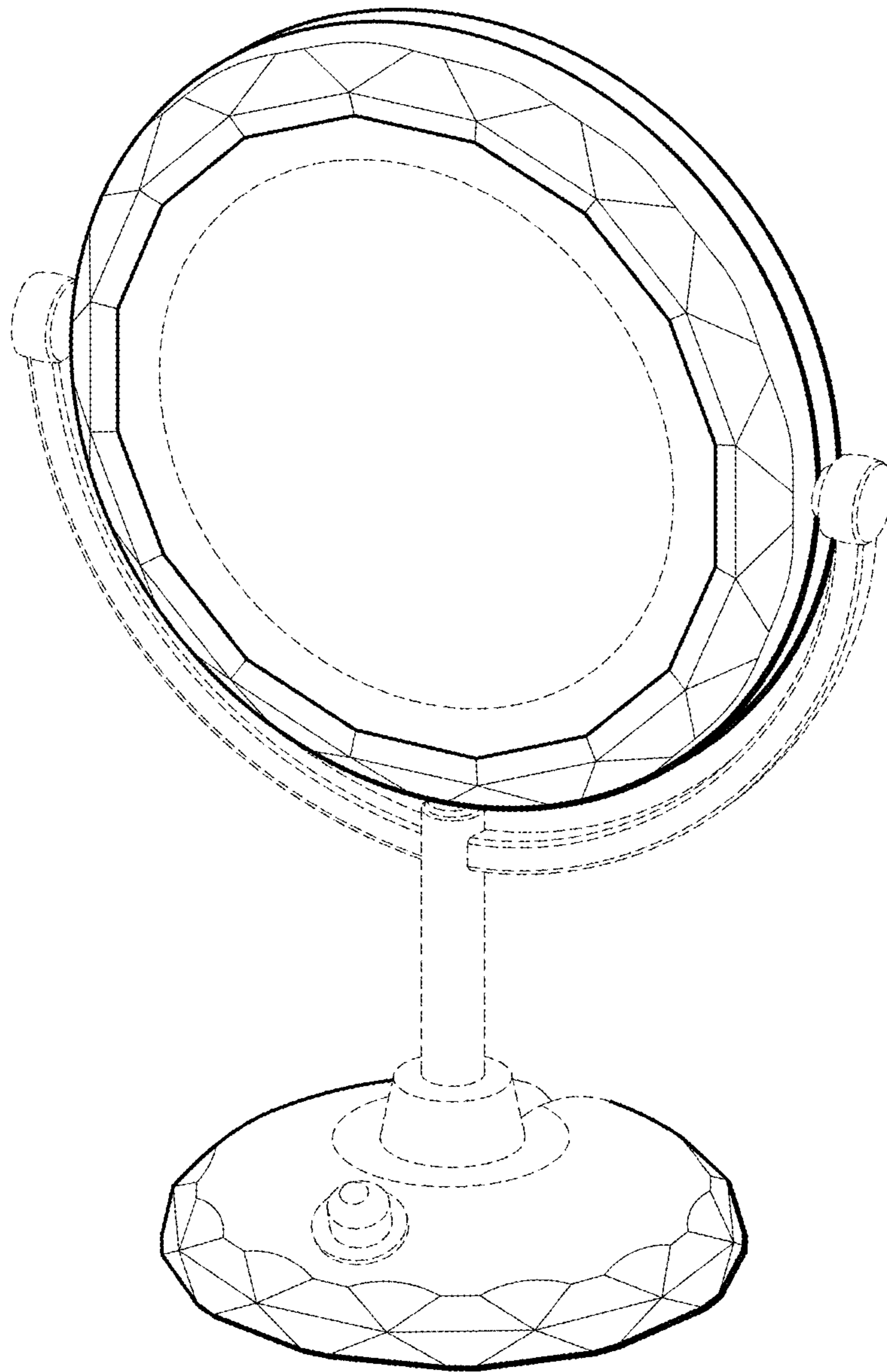
**DESCRIPTION**

FIG. 1 is a perspective view of the foldable mirror in accordance with the principles of the present invention; FIG. 2 is a front plan view of the foldable mirror; FIG. 3 is a side plan view of the foldable mirror; and FIG. 4 is a top plan view of the foldable mirror; and, FIG. 5 is a first rear plan view of the foldable mirror. The broken lines show portions of the article that form no part of the claimed design.

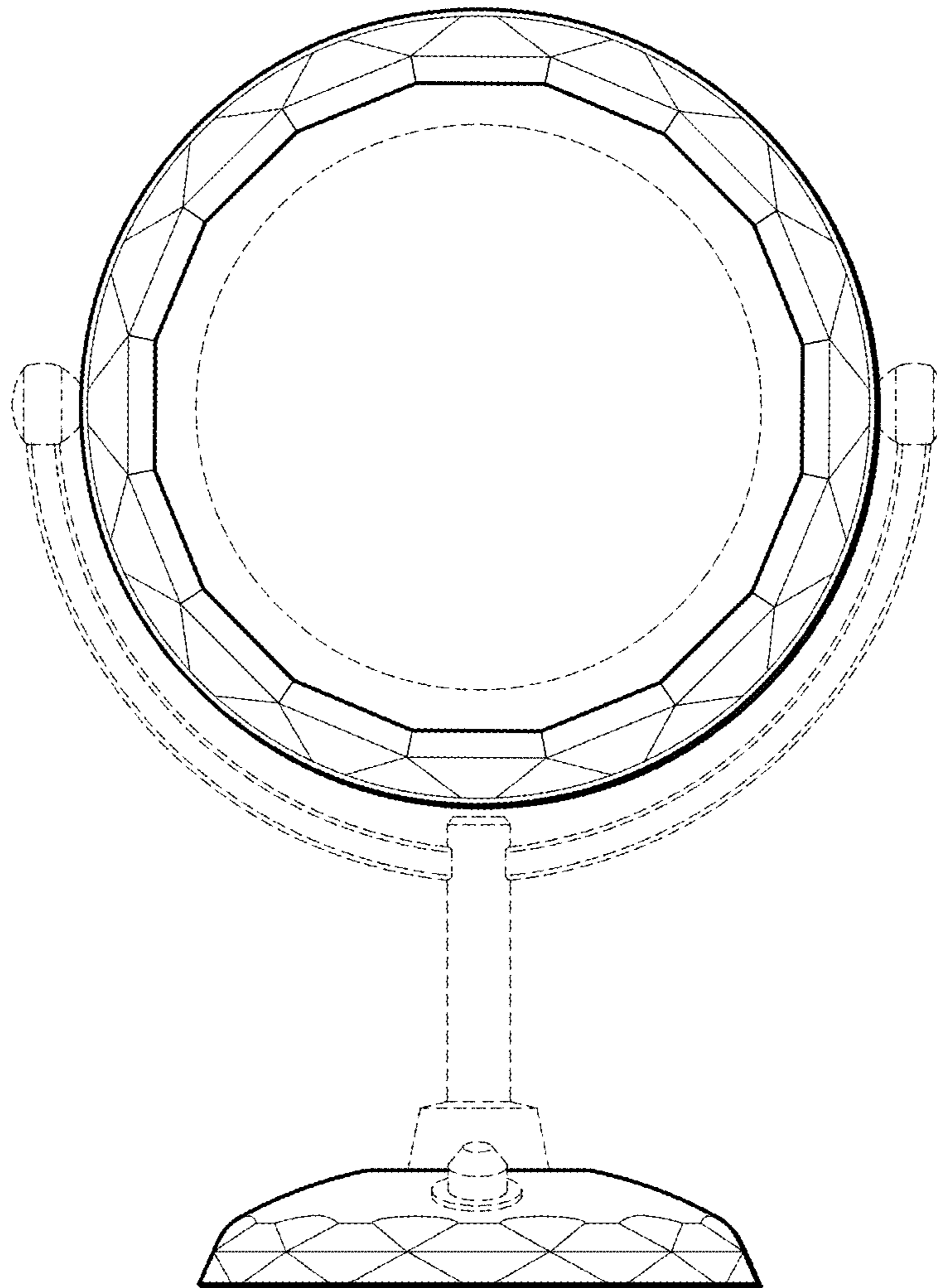
**1 Claim, 4 Drawing Sheets**

- (56) **References Cited**  
U.S. PATENT DOCUMENTS  
D379,125 S 5/1997 Simjian  
6,273,585 B1 \* 8/2001 Wu ..... 362/135  
D509,369 S 9/2005 Snell

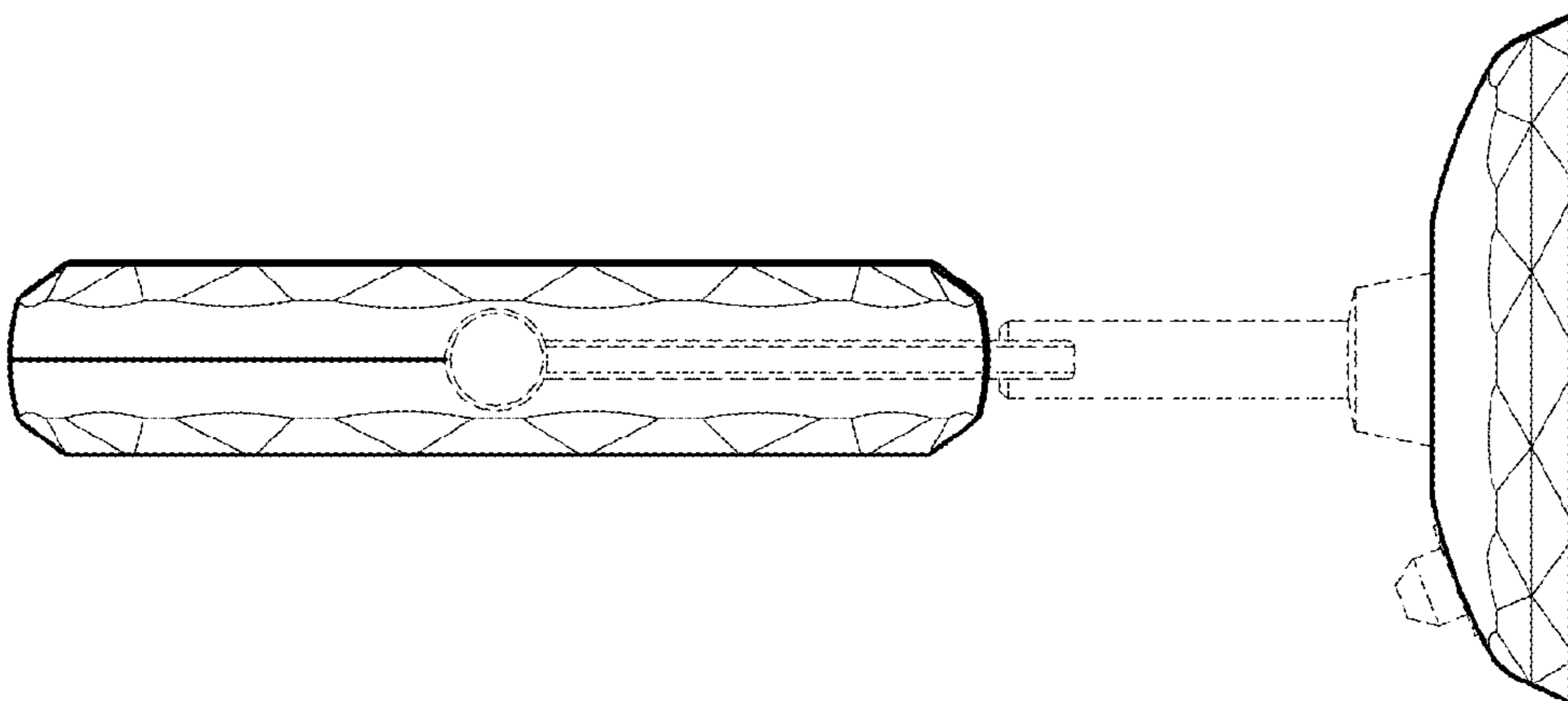




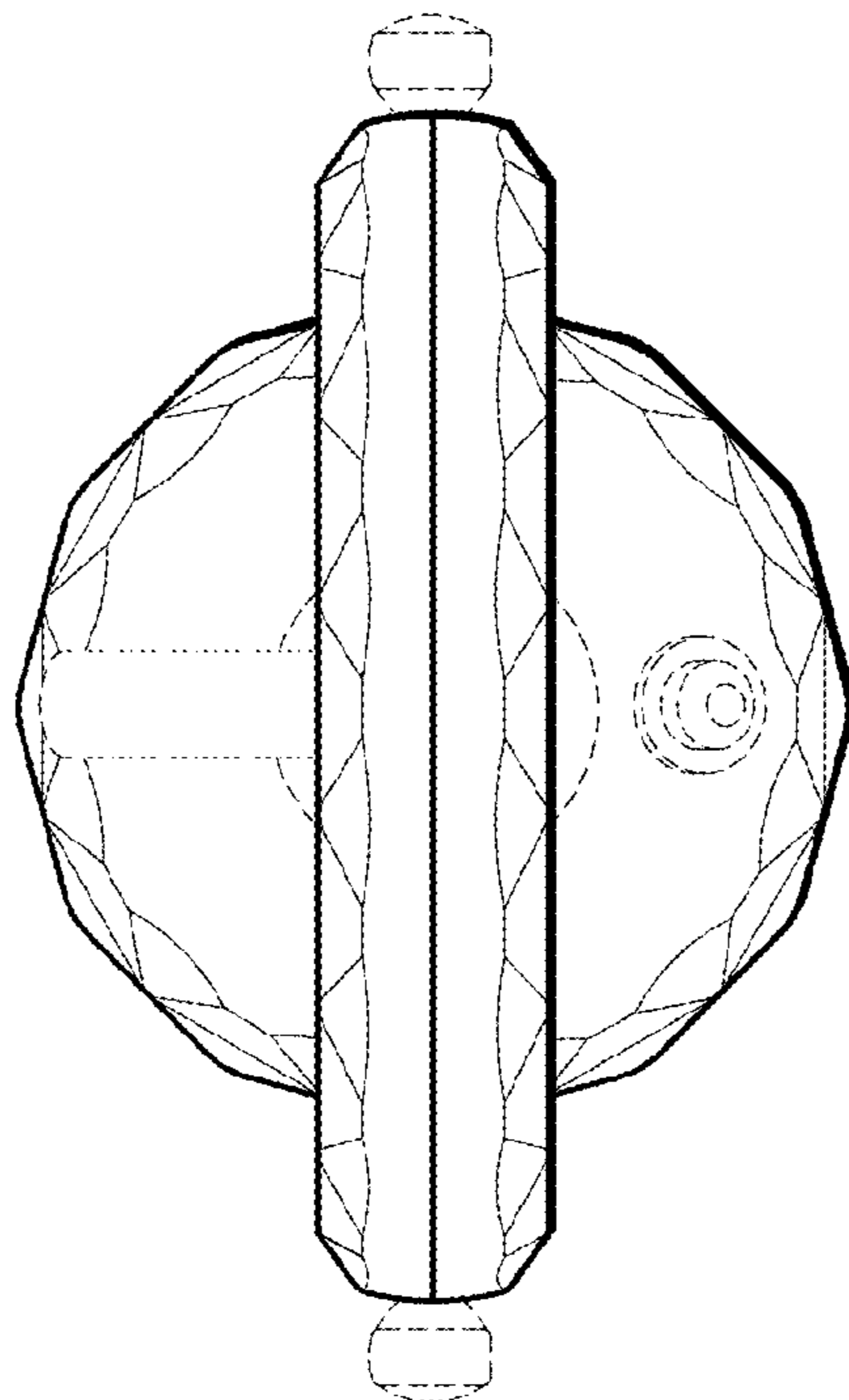
**FIG. 1**



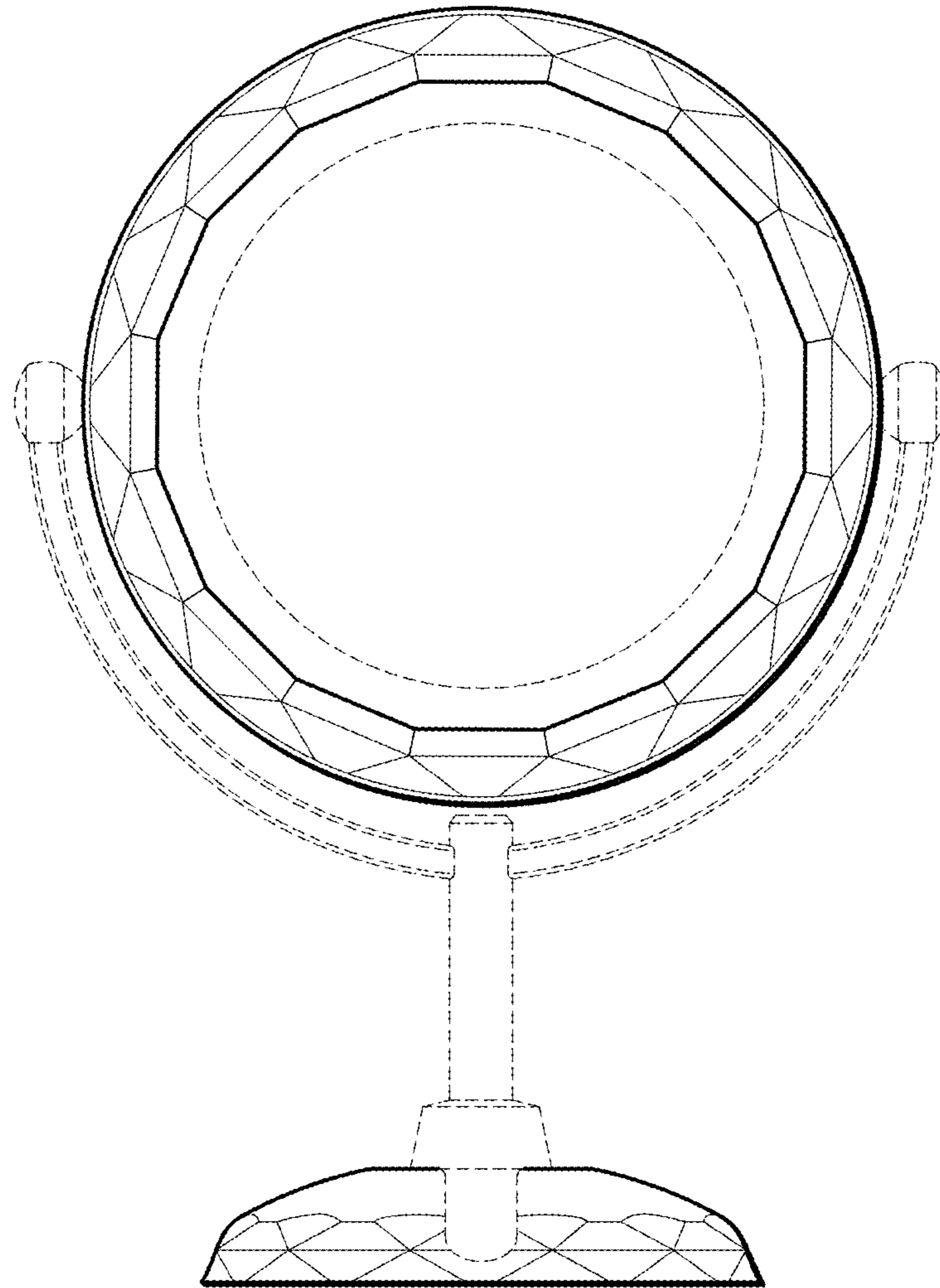
**FIG. 2**



**FIG. 3**



**FIG. 4**



**FIG. 5**