



US00D702046S

(12) **United States Design Patent**
Zmrhal et al.

(10) **Patent No.:** **US D702,046 S**
(45) **Date of Patent:** **** Apr. 8, 2014**

(54) **FOOD BRUSH WITH COVER**

- (71) Applicant: **Columbia Insurance Company,**
Omaha, NE (US)
- (72) Inventors: **Jill Zmrhal,** Plainfield, IL (US); **Lisa M. Phelps,** Darien, IL (US)
- (73) Assignee: **Columbia Insurance Company,**
Omaha, NE (US)
- (**) Term: **14 Years**
- (21) Appl. No.: **29/465,594**
- (22) Filed: **Aug. 29, 2013**

Related U.S. Application Data

- (62) Division of application No. 29/437,089, filed on Nov. 13, 2012.
- (51) **LOC (10) Cl.** **04-01**
- (52) **U.S. Cl.**
USPC **D4/120; D4/121; D4/136**
- (58) **Field of Classification Search**
USPC D4/116, 117, 119, 120, 121, 130, 136;
D24/211, 214, 215; D28/63; 15/106,
15/107, 110, 159.1, 160, 167.3, 186-188;
401/28; 601/136, 137
See application file for complete search history.

(56) **References Cited**

U.S. PATENT DOCUMENTS

2,695,416 A	11/1954	Raimo
D211,851 S	8/1968	Ballard
D251,022 S	2/1979	McKay

(Continued)

FOREIGN PATENT DOCUMENTS

JP 2012034784 A 2/2012

OTHER PUBLICATIONS

DE 40206292-0001 Registered Design, (Lessmann GmbH) Nov. 9, 2002, [online], [retrieved on Feb. 23, 2013]. Retrieved from the Designs Register of the German Patent and Trade Mark Office using the Internet: <URL: http://register.dmpa.de>.*

Primary Examiner — Melanie H Tung

Assistant Examiner — Lavone D Tabor

(74) *Attorney, Agent, or Firm* — Neal, Gerber & Eisenber LLP

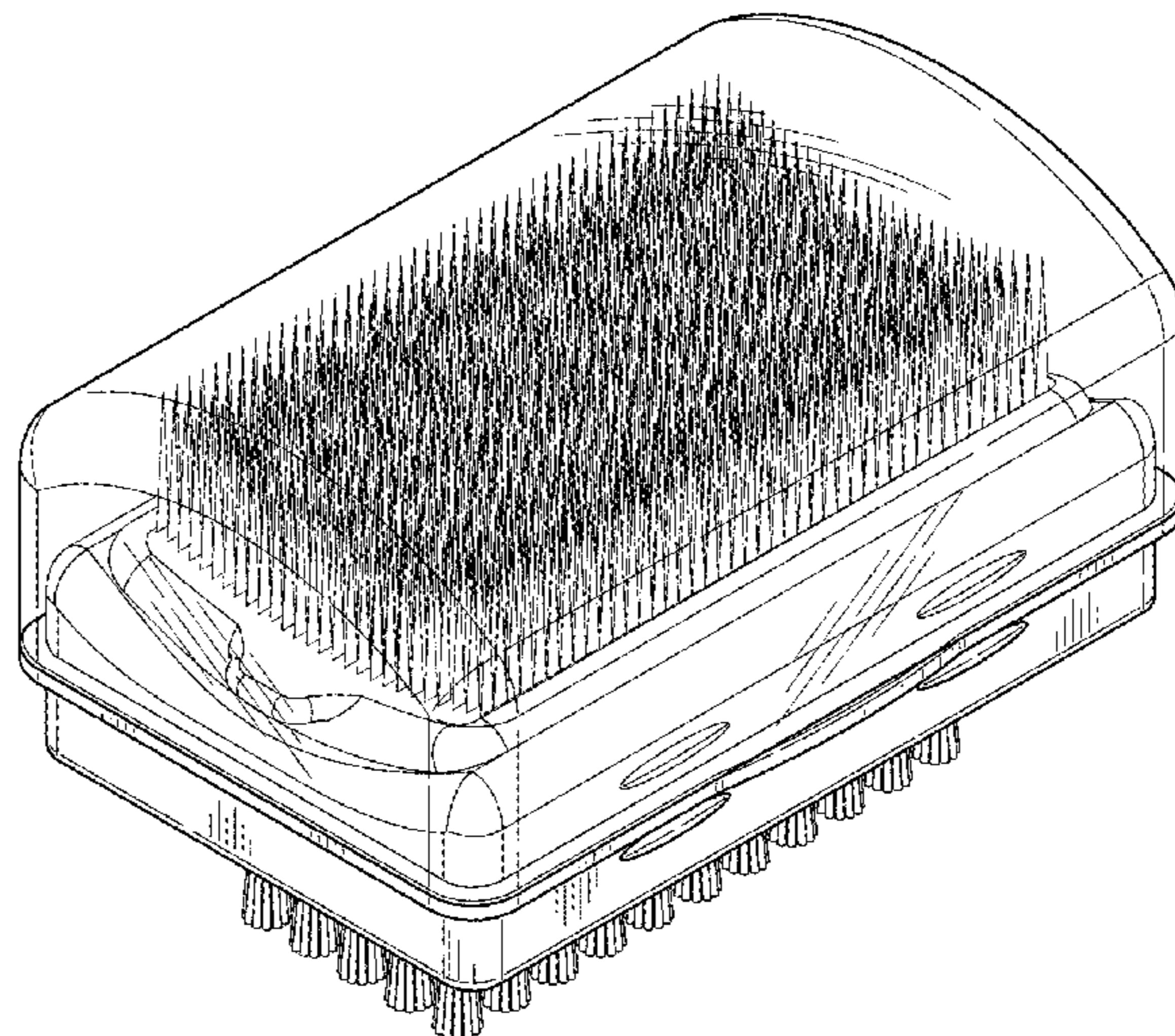
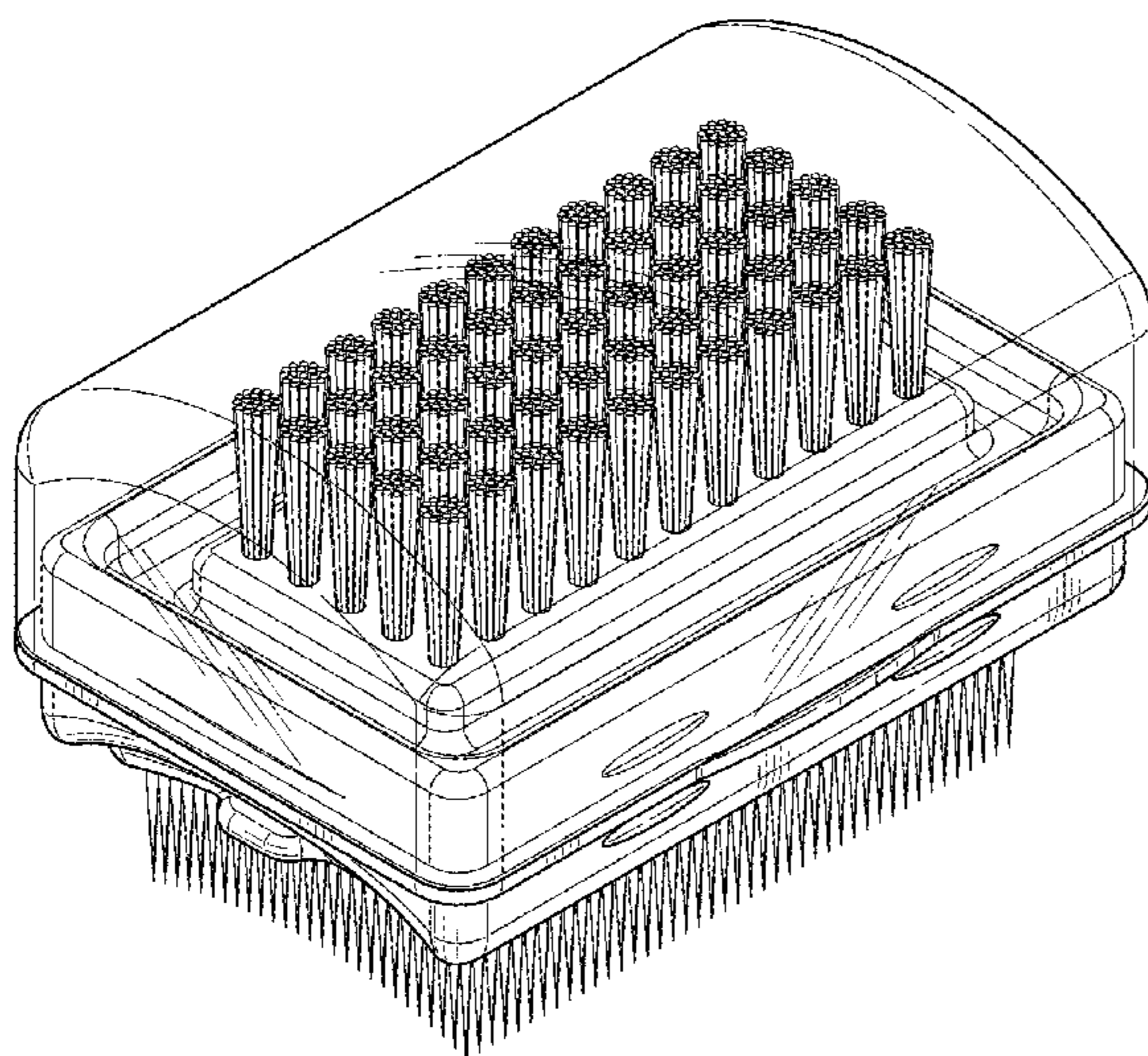
(57) **CLAIM**

The ornamental design for a food brush with cover, as shown and described.

DESCRIPTION

FIG. 1 is a top perspective view of a food brush with cover showing the cover attached to the top of the brush;
 FIG. 2 is a bottom perspective view thereof;
 FIG. 3 is an enlarged top plan view thereof;
 FIG. 4 is an enlarged bottom plan view thereof;
 FIG. 5 is an enlarged end view thereof, the opposite end being identical thereto;
 FIG. 6 is an enlarged side view thereof, the opposite side being identical thereto;
 FIG. 7 is a bottom perspective view of thereof, showing the cover attached to the bottom of the brush;
 FIG. 8 is a top perspective view of the design as shown in FIG. 7;
 FIG. 9 is an enlarged bottom plan view of the design as shown in FIG. 7;
 FIG. 10 is an enlarged top plan view of the design as shown in FIG. 7;
 FIG. 11 is an enlarged end view of the design as shown in FIG. 7, the opposite end being identical thereto; and,
 FIG. 12 is an enlarged side view of the design as shown in FIG. 7, the opposite side being identical thereto.

1 Claim, 6 Drawing Sheets



(56)

References Cited

U.S. PATENT DOCUMENTS

D285,627 S 9/1986 Ballard
4,642,835 A 2/1987 Schmitz
D295,697 S 5/1988 Kaufman
D316,634 S 5/1991 Vetter

5,148,571 A 9/1992 Brazis et al.
5,664,278 A 9/1997 Reisman
D394,328 S * 5/1998 Palumbo D28/7
5,996,163 A * 12/1999 Galizia 15/160
6,895,629 B1 5/2005 Wenzler
6,901,622 B2 6/2005 Thompson et al.

* cited by examiner

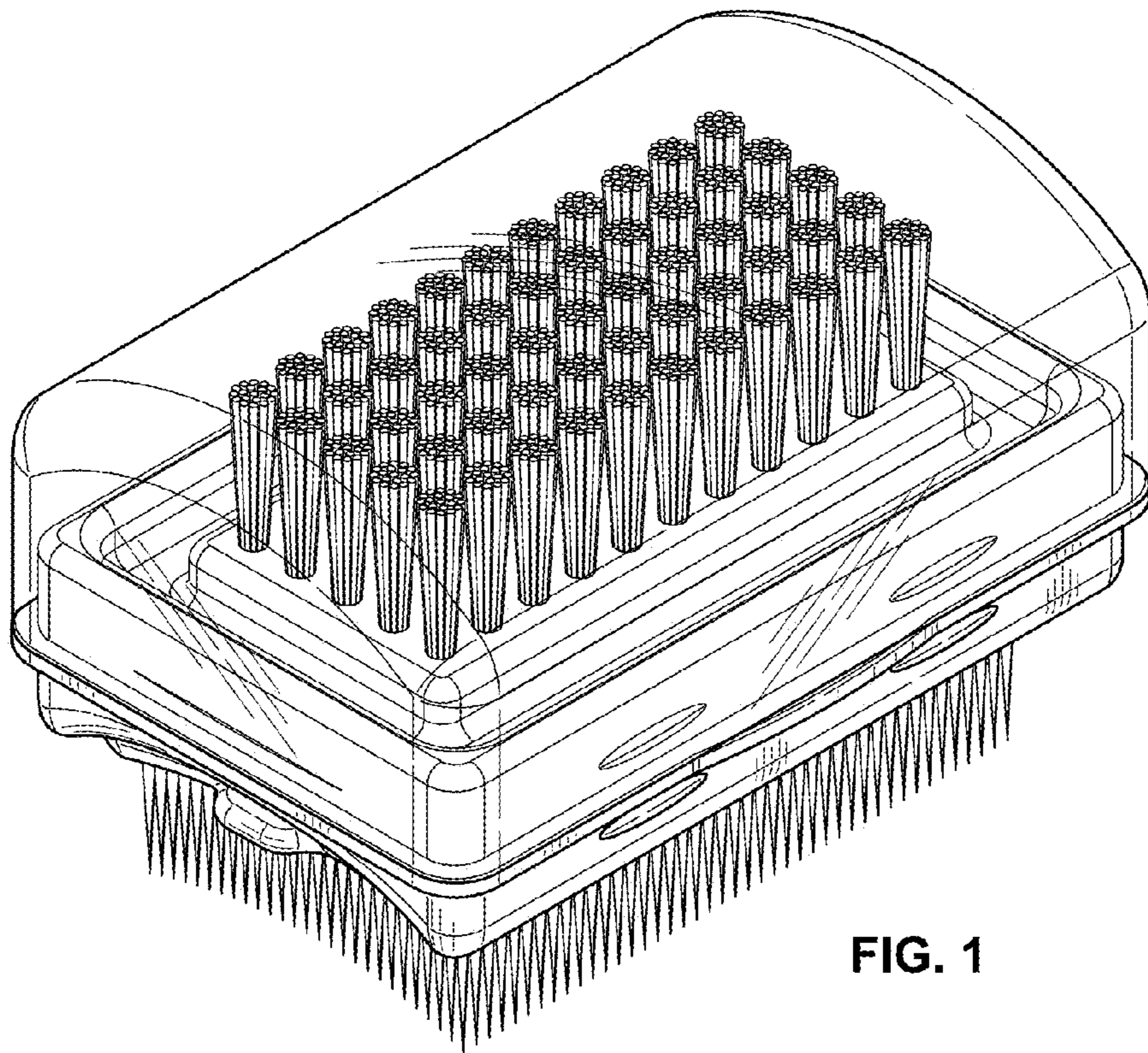


FIG. 1

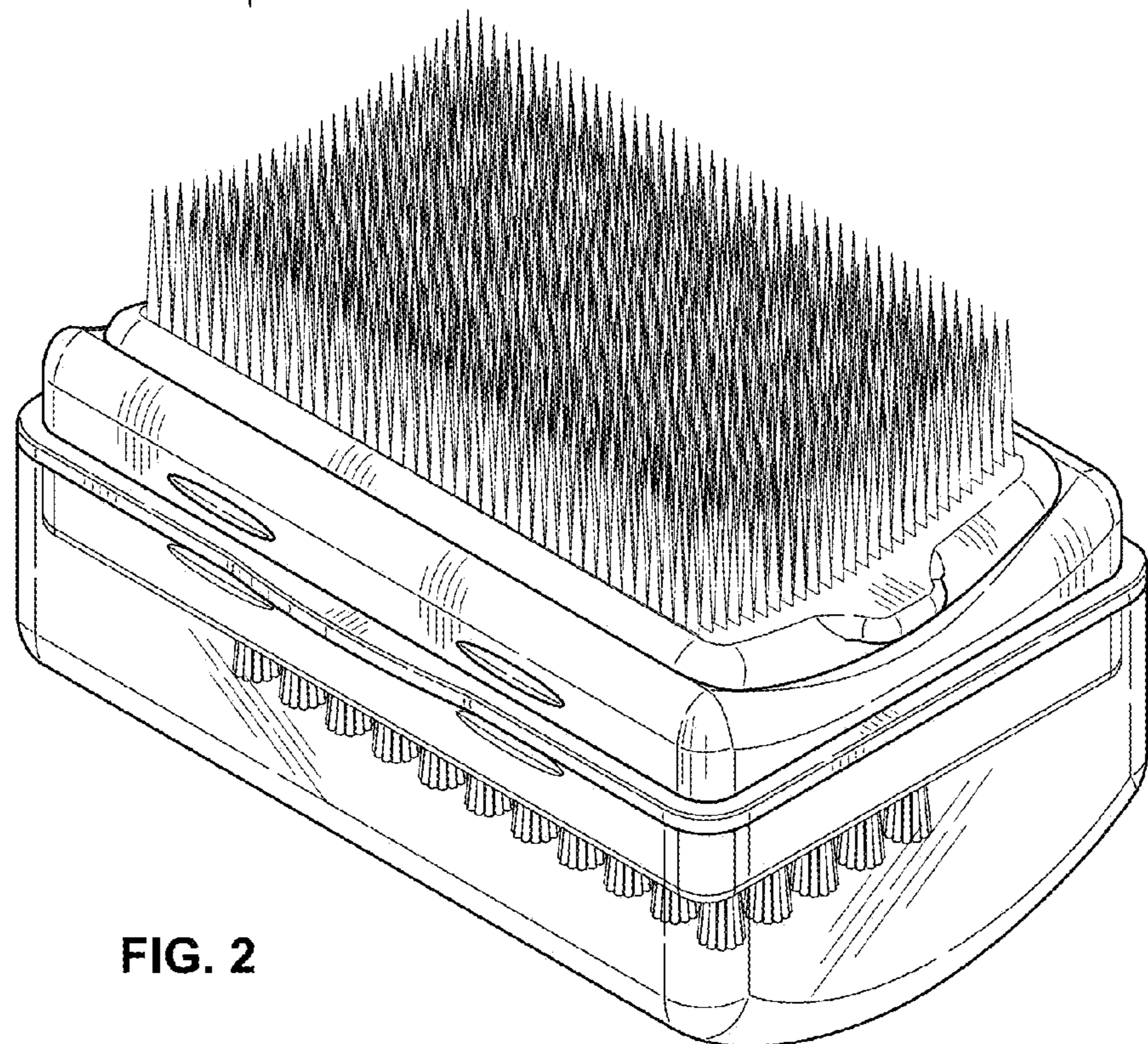


FIG. 2

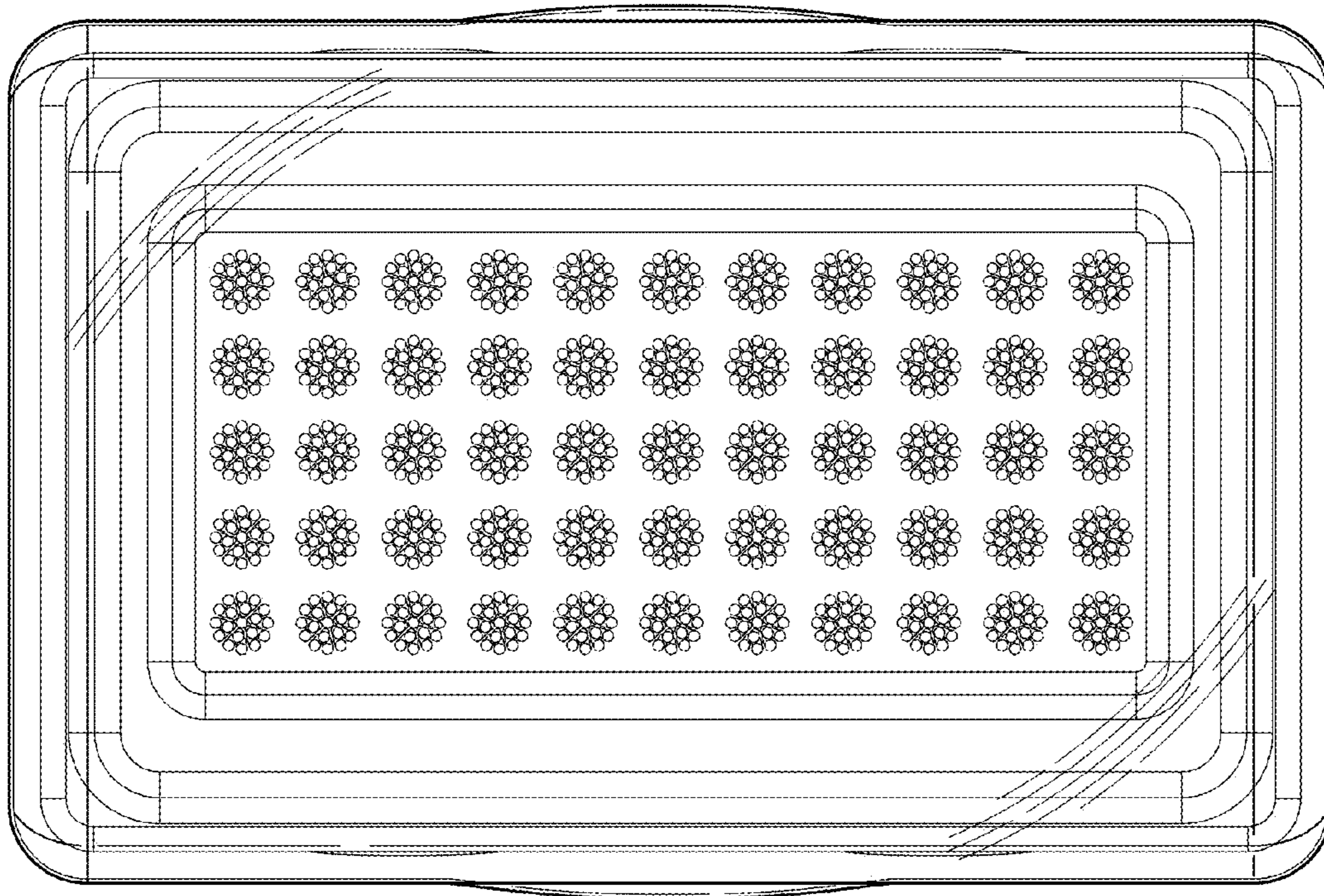


FIG. 3

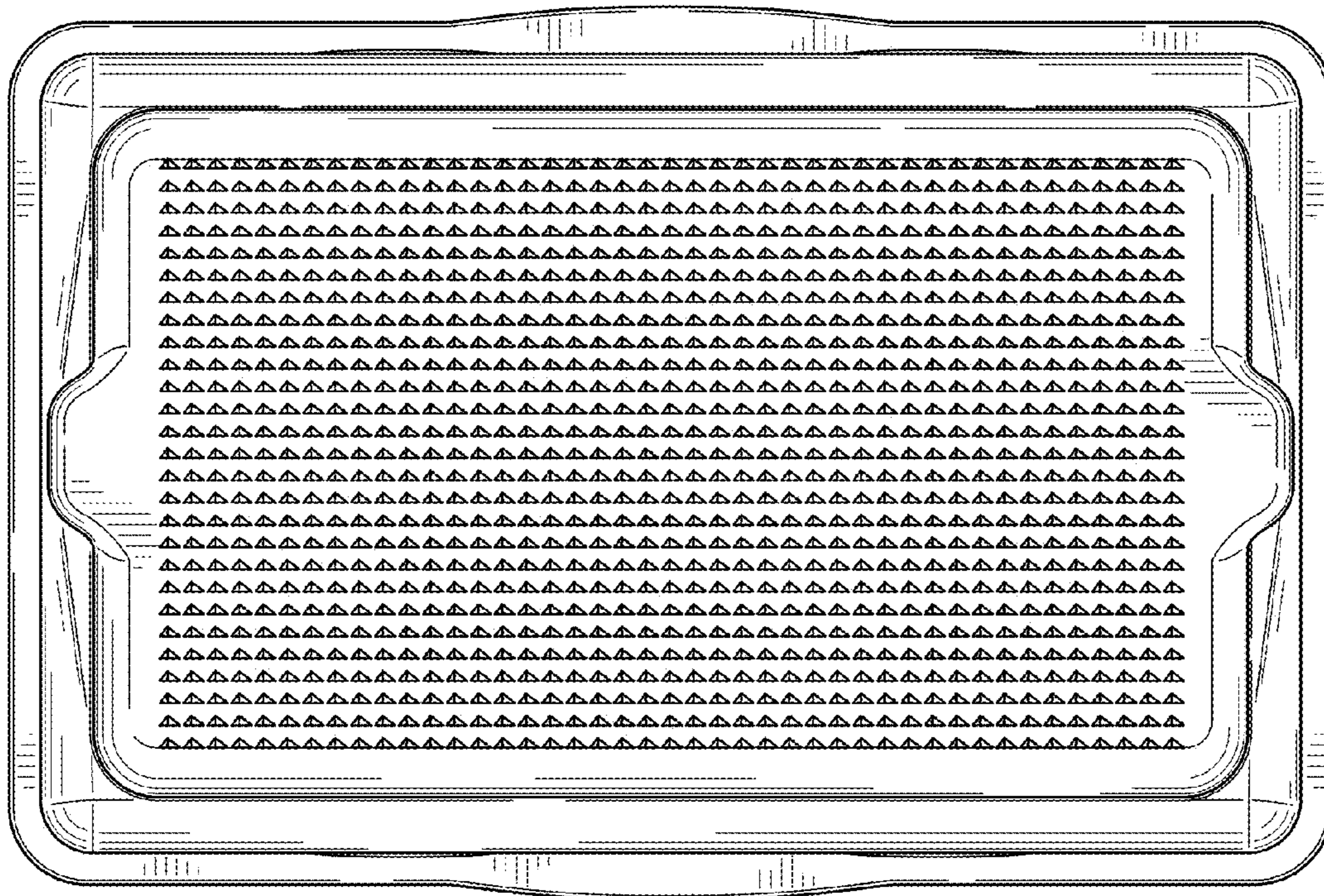


FIG. 4

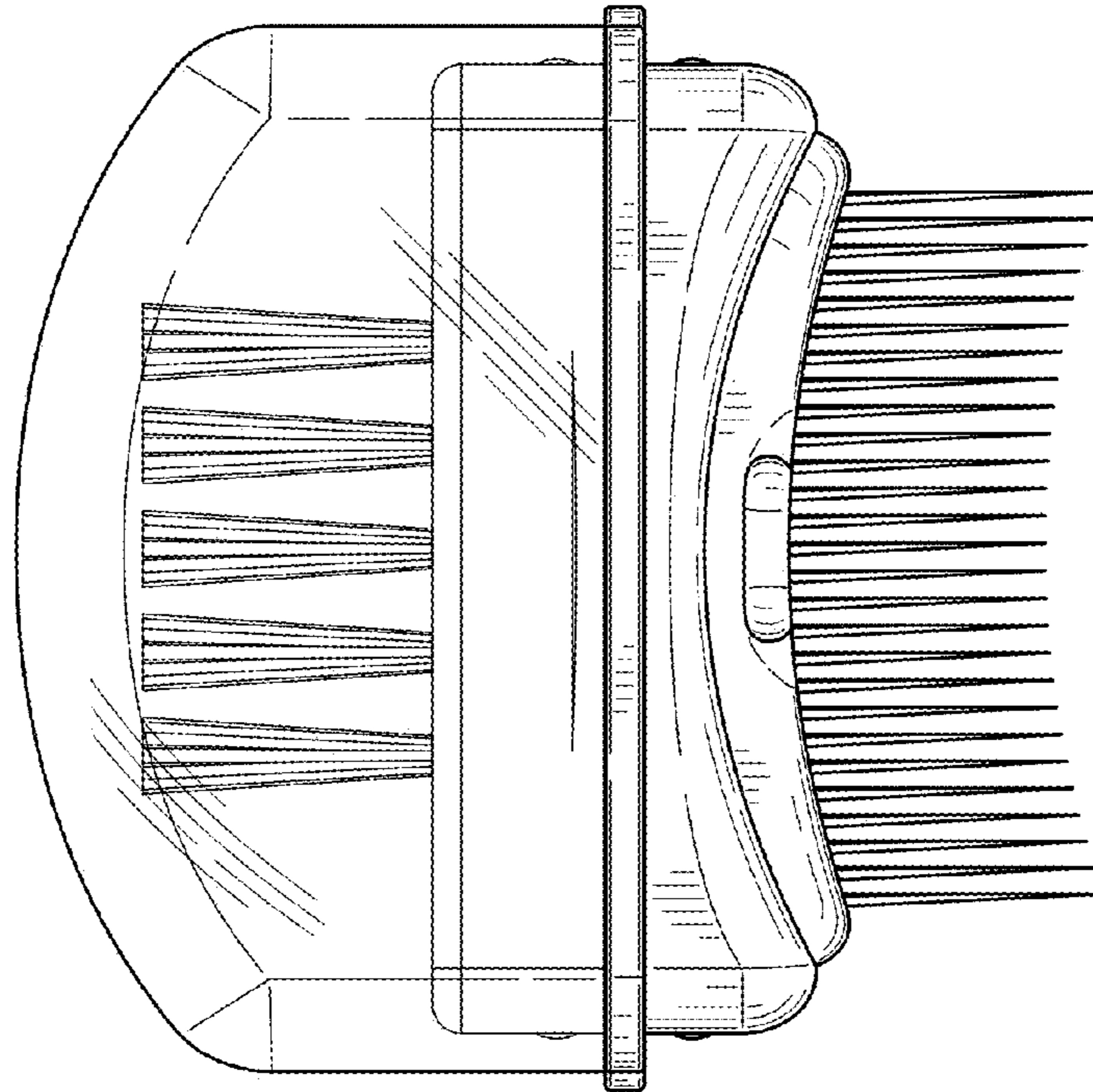


FIG. 5

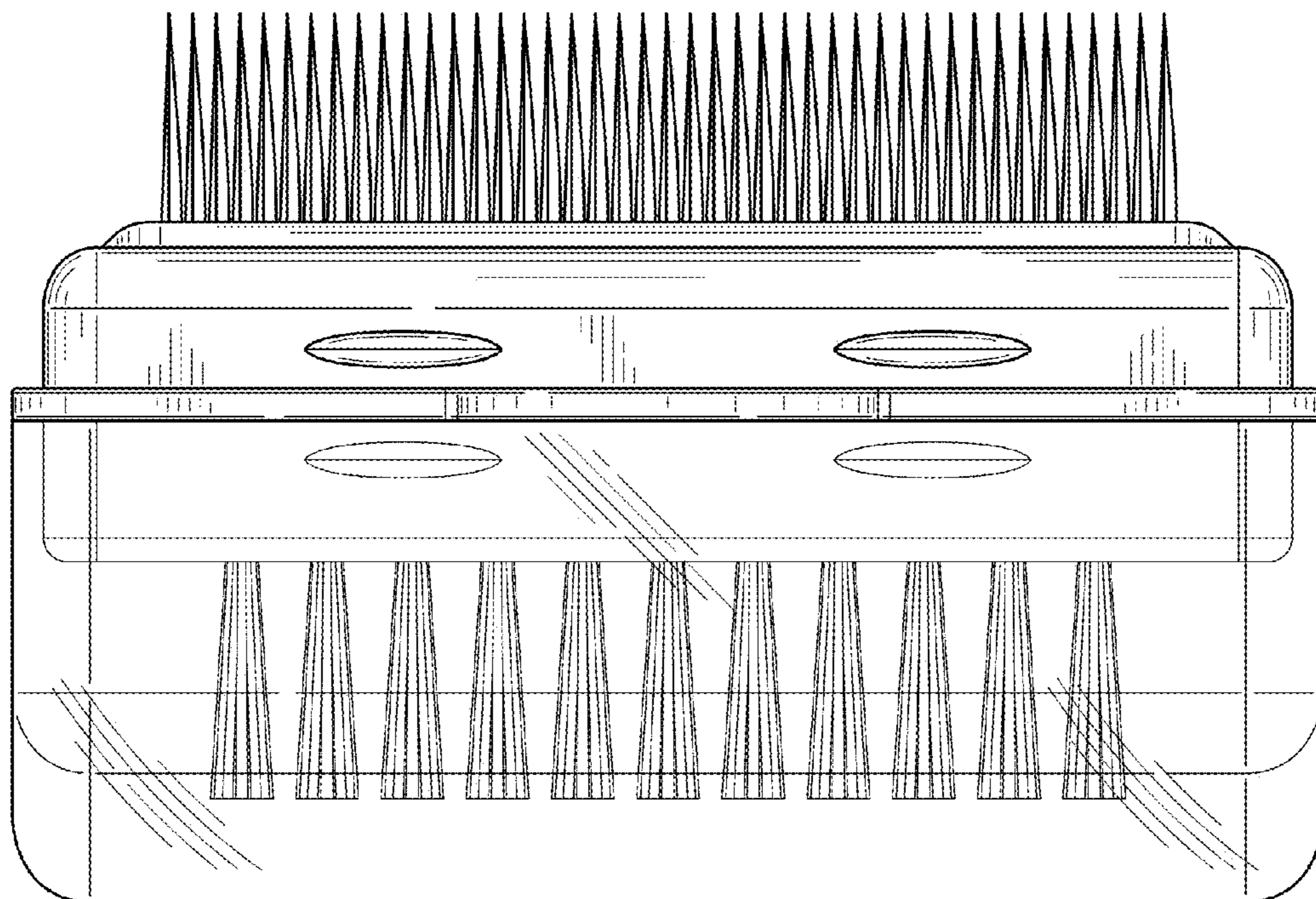
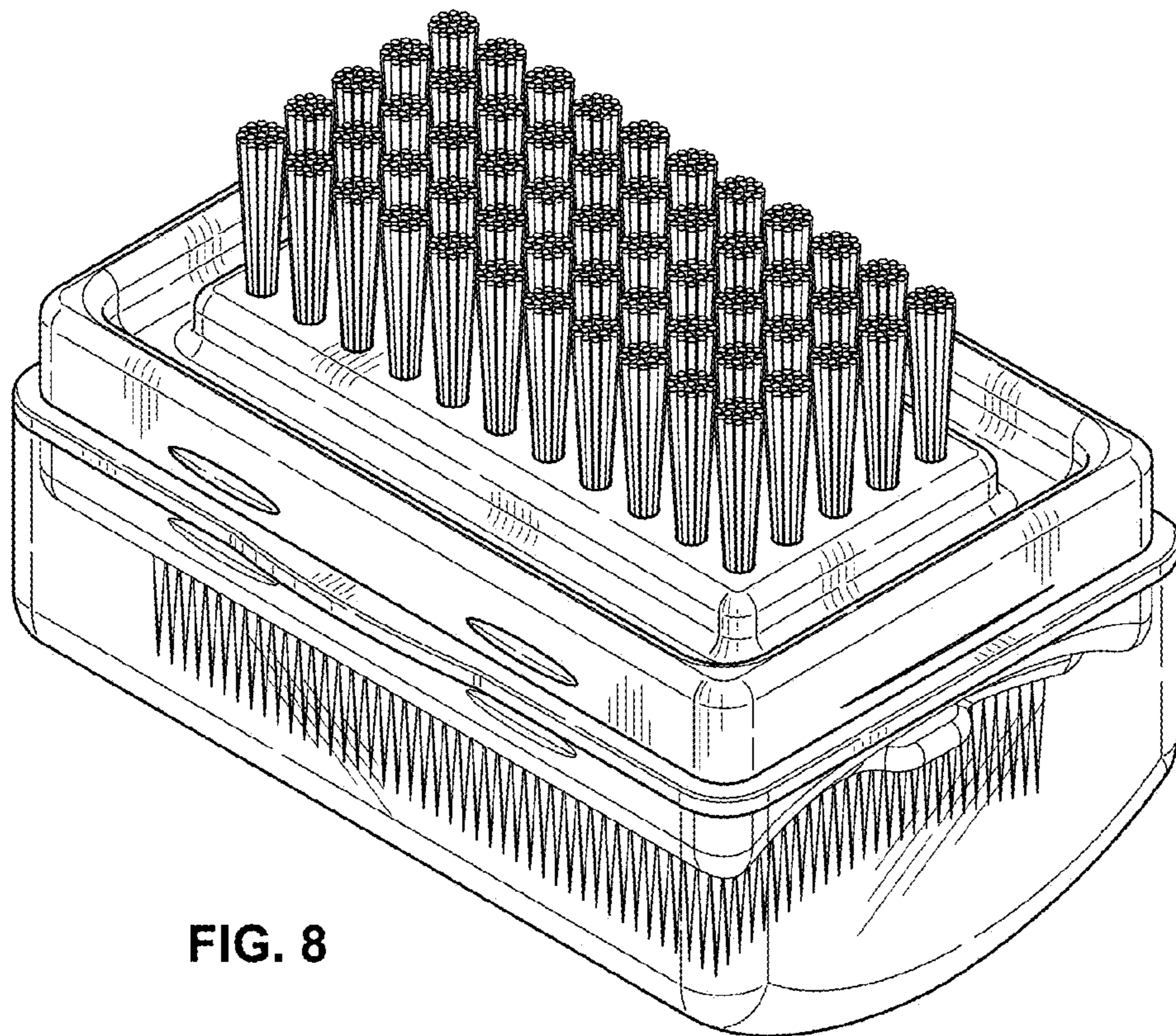
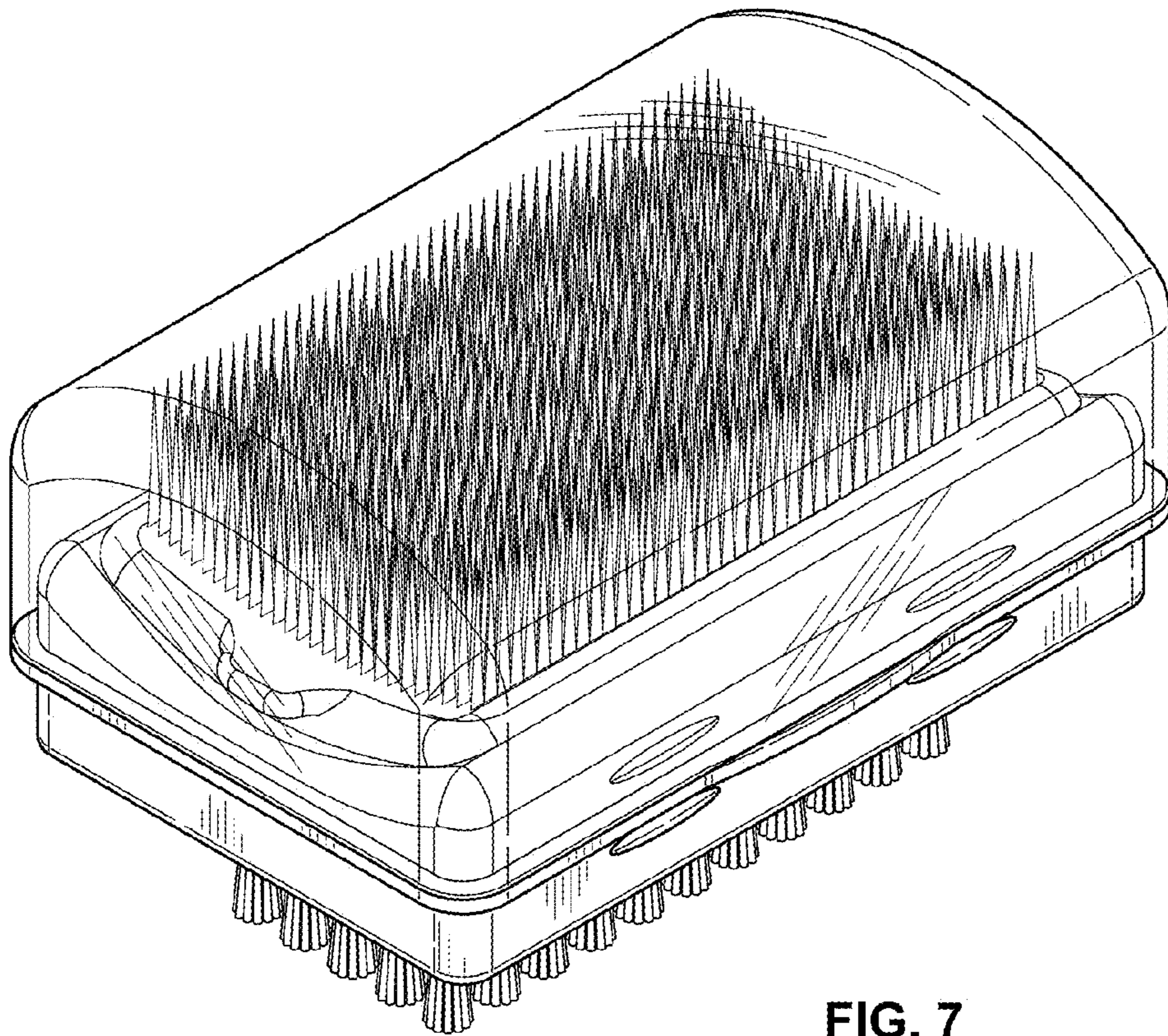


FIG. 6



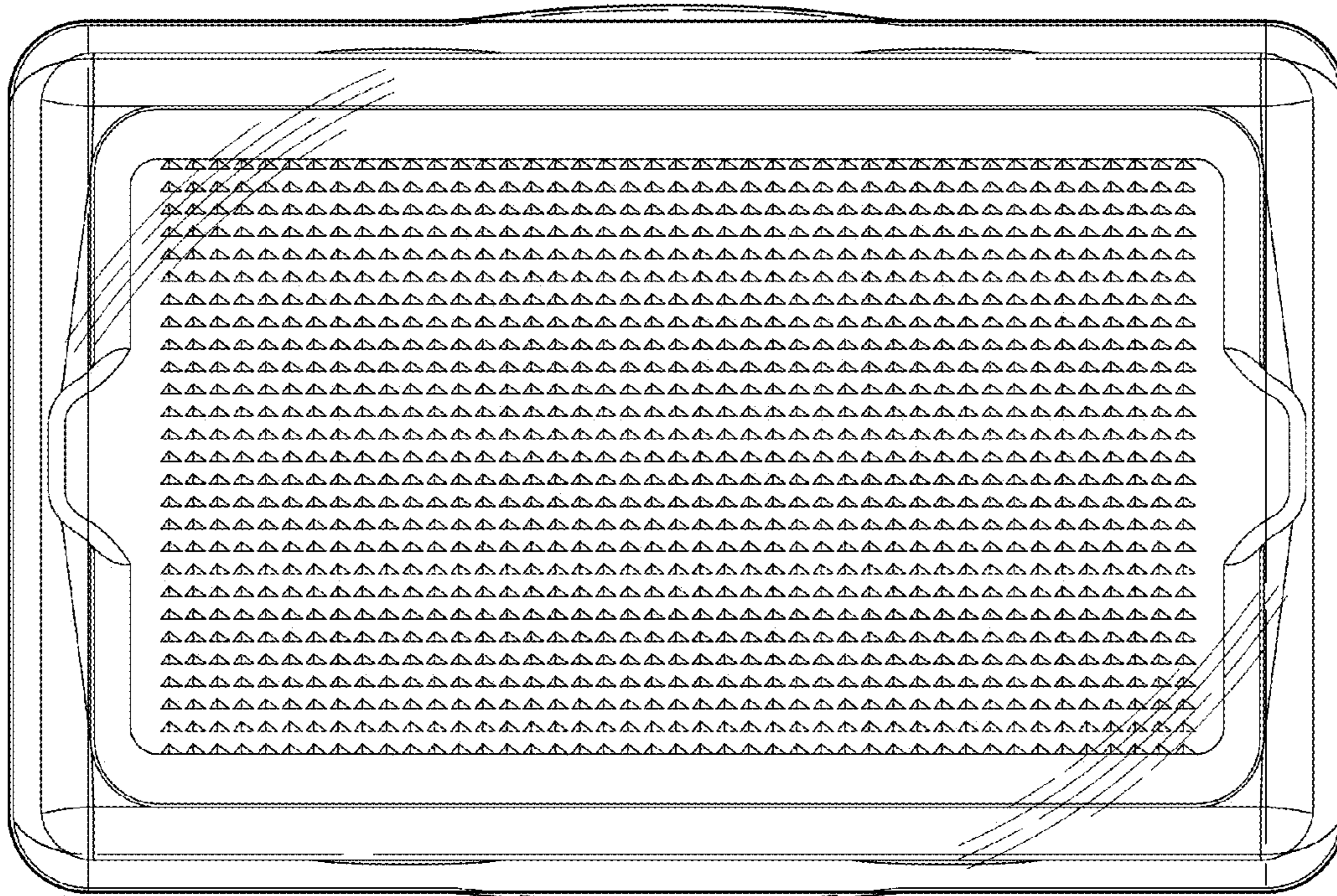


FIG. 9

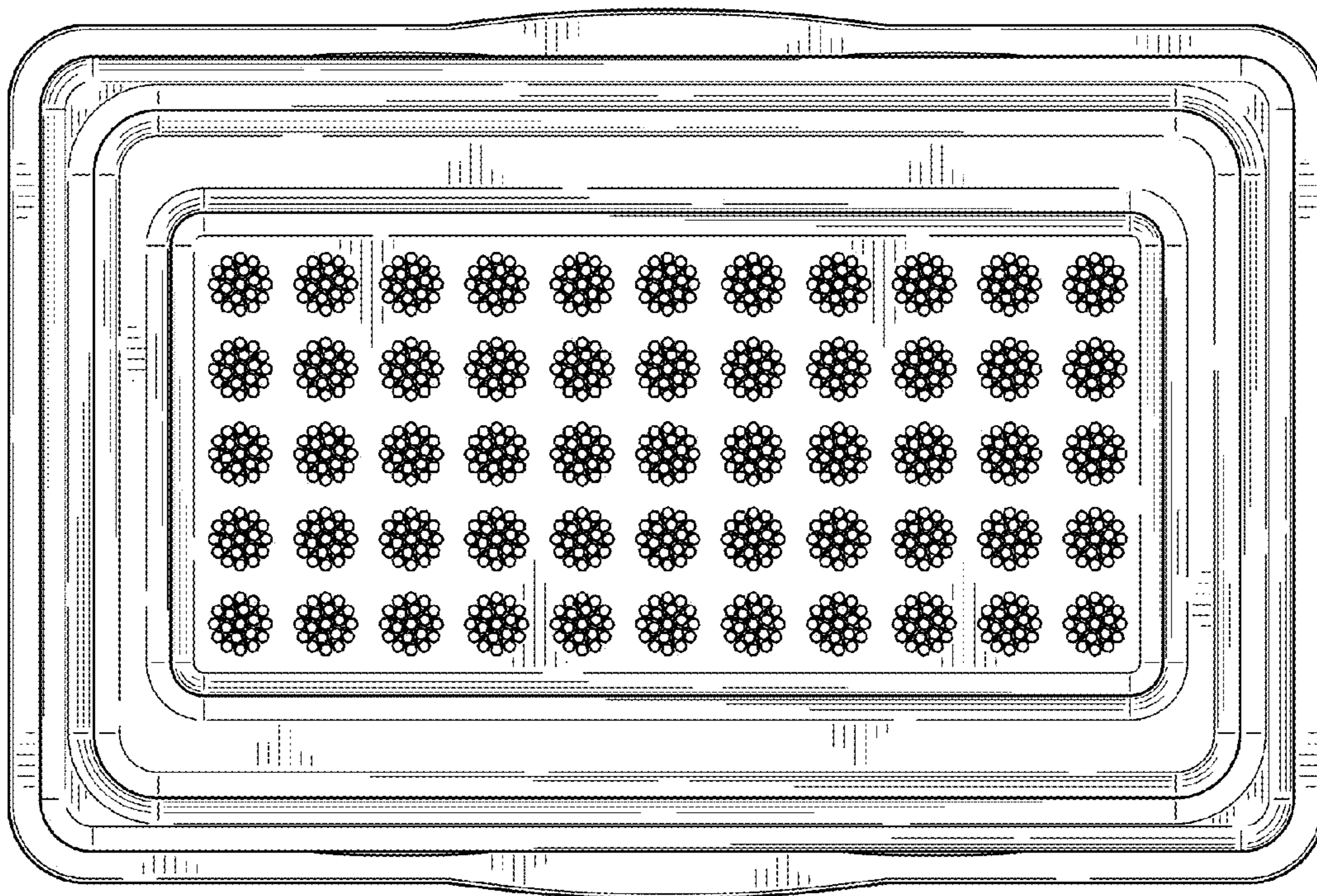


FIG. 10

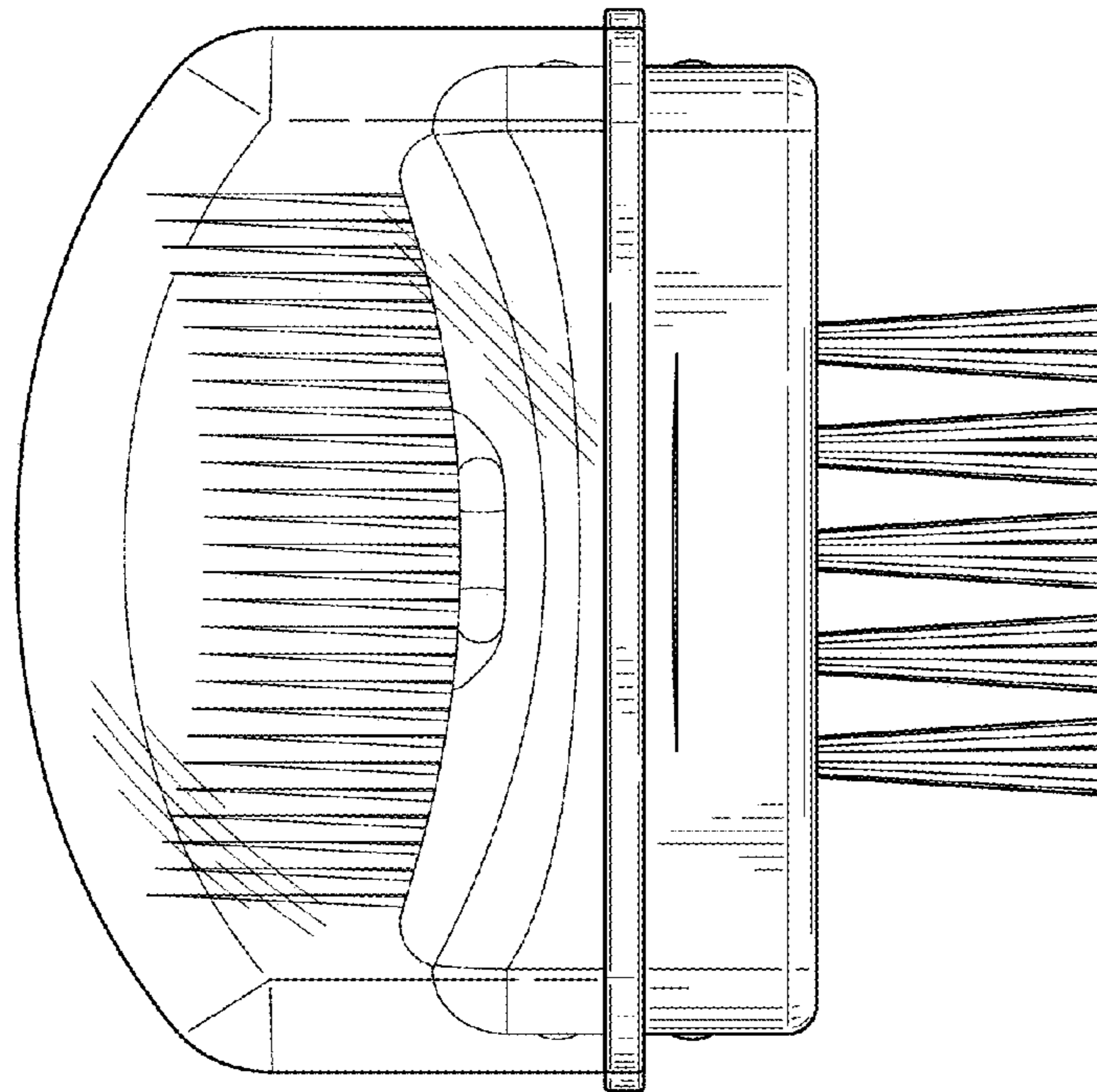


FIG. 11

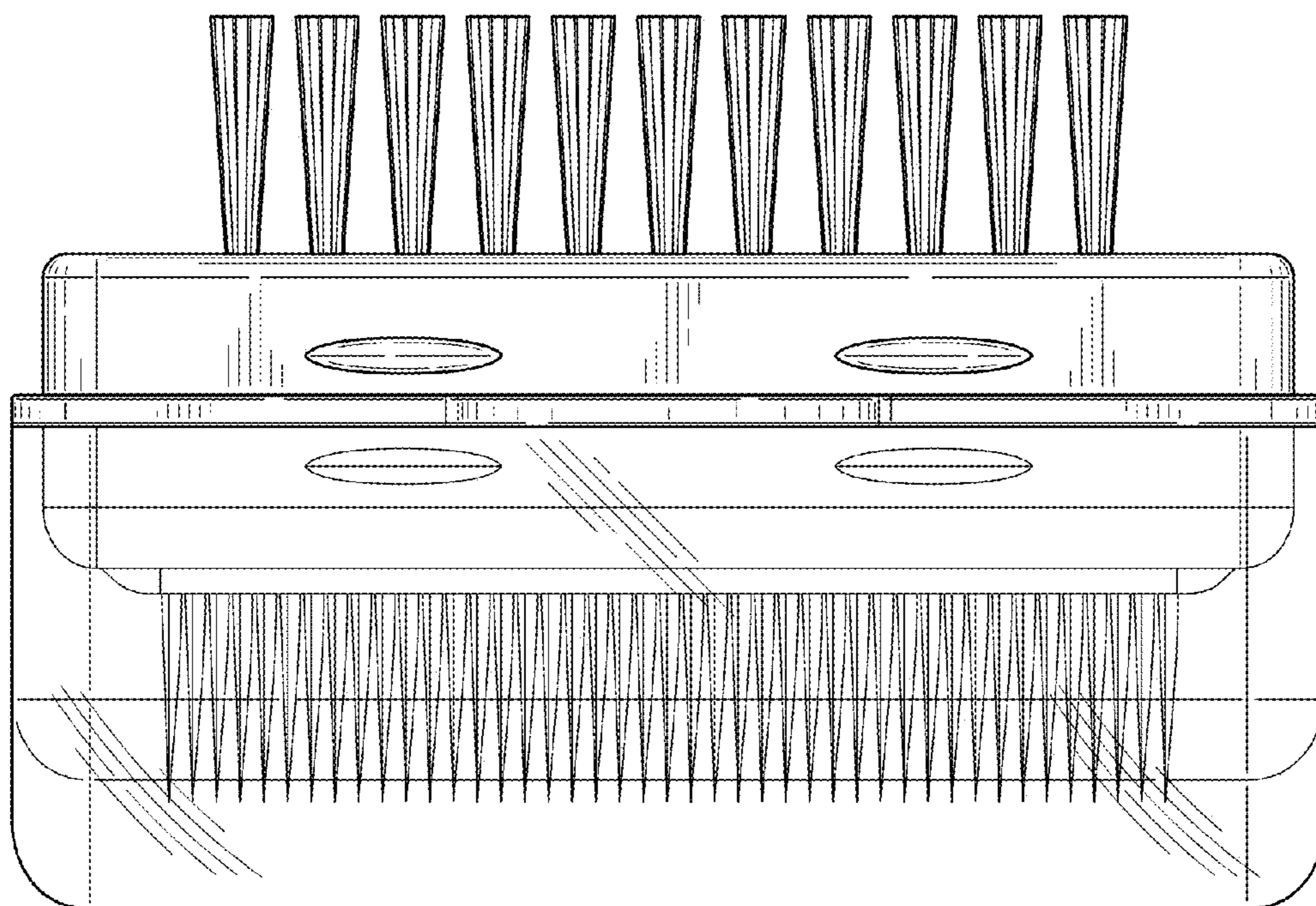


FIG. 12