



US00D702045S

(12) **United States Design Patent**
Armani

(10) **Patent No.:** **US D702,045 S**

(45) **Date of Patent:** **** Apr. 8, 2014**

(54) **CLASP FOR BAGS**

(75) Inventor: **Giorgio Armani**, Milan (IT)

(73) Assignee: **Giorgio Armani S.p.A.**, Milan (IT)

(**) Term: **14 Years**

(21) Appl. No.: **29/431,865**

(22) Filed: **Sep. 11, 2012**

(30) **Foreign Application Priority Data**

Mar. 12, 2012 (EM) 002006643

(51) **LOC (10) Cl.** **03-01**

(52) **U.S. Cl.**
USPC **D3/318**

(58) **Field of Classification Search**
USPC D3/318, 324; 150/100, 103-110,
150/113-114, 117-119

See application file for complete search history.

(56) **References Cited**

U.S. PATENT DOCUMENTS

D533,719 S * 12/2006 Spade D3/324
D572,485 S * 7/2008 Gonzalez D3/318

* cited by examiner

Primary Examiner — Holly Baynham

(74) *Attorney, Agent, or Firm* — Fitch, Even, Tabin & Flannery LLP

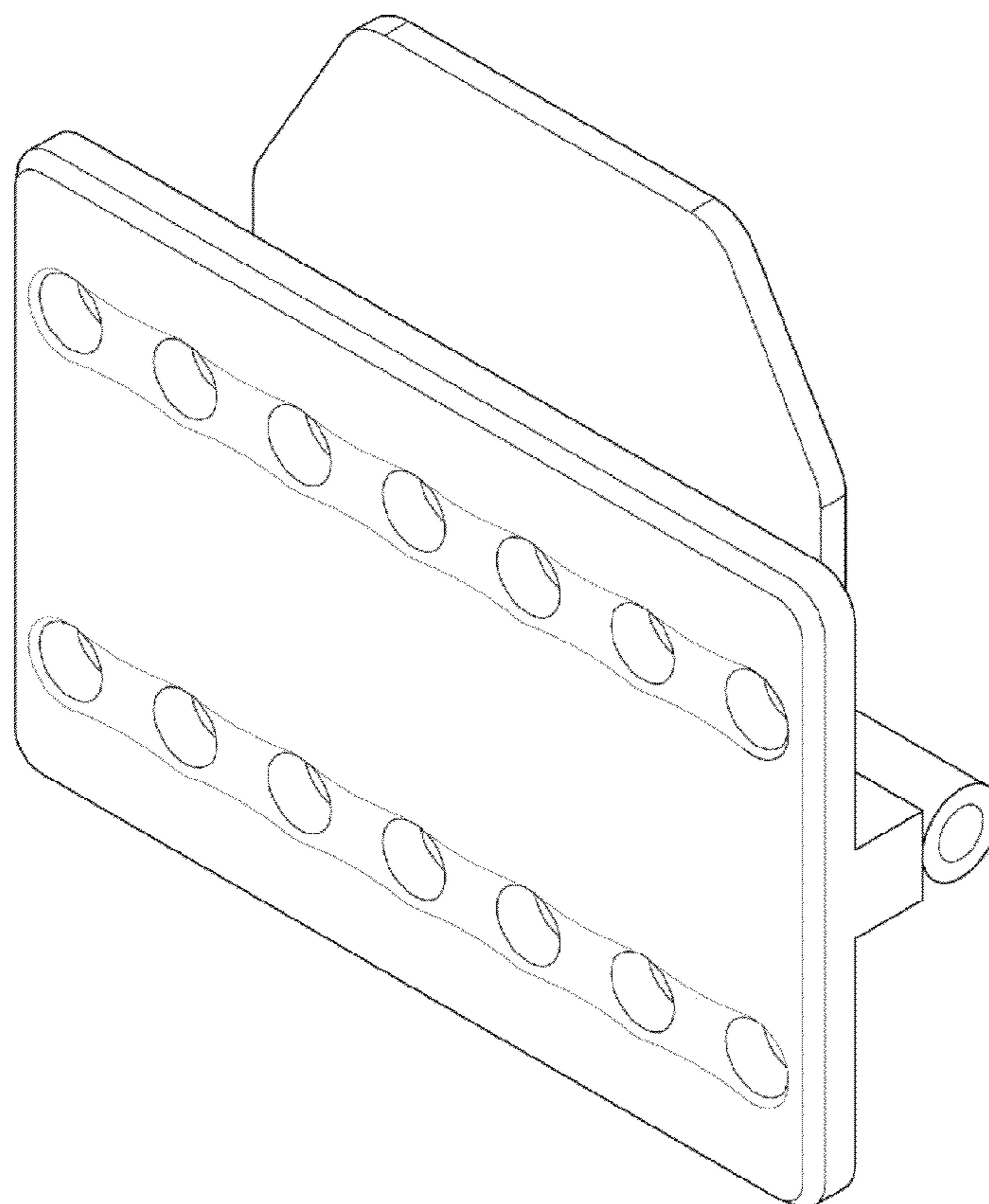
(57) **CLAIM**

The ornamental design for a clasp for bags, as shown and described.

DESCRIPTION

FIG. 1 is a front perspective view of a clasp for bags showing my new design;
FIG. 2 is a front elevation view of the clasp for bags of FIG. 1;
FIG. 3 is a rear elevation view of the clasp for bags of FIG. 1;
FIG. 4 is a left side elevation view of the clasp for bags of FIG. 1, the right side elevation view being the mirror image thereof;
FIG. 5 is a top plan view of the clasp for bags of FIG. 1;
FIG. 6 is a bottom plan view of the clasp for bags of FIG. 1; and,
FIG. 7 is a rear perspective view of the clasp for bags of FIG. 1.

1 Claim, 4 Drawing Sheets



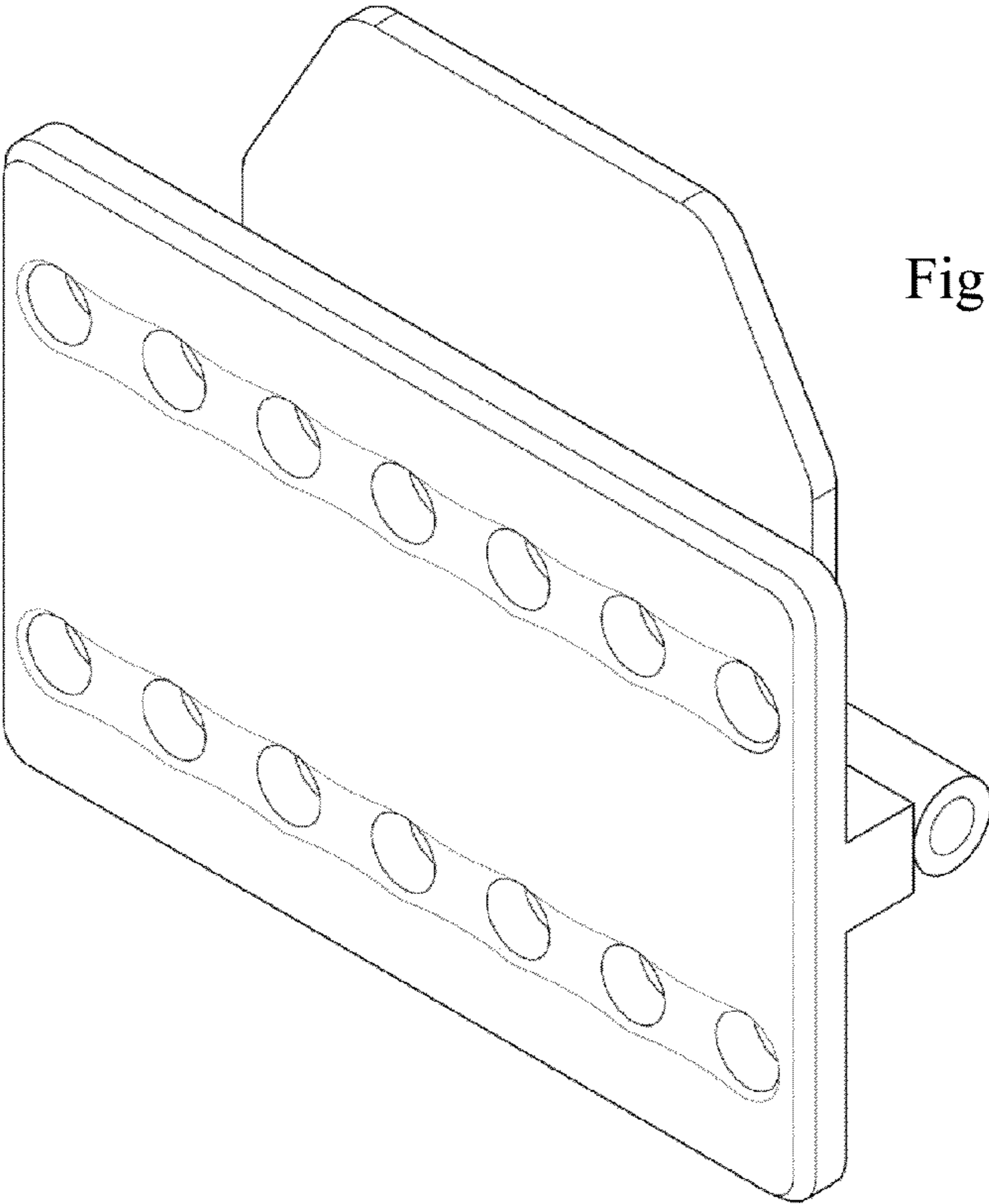


Fig. 1

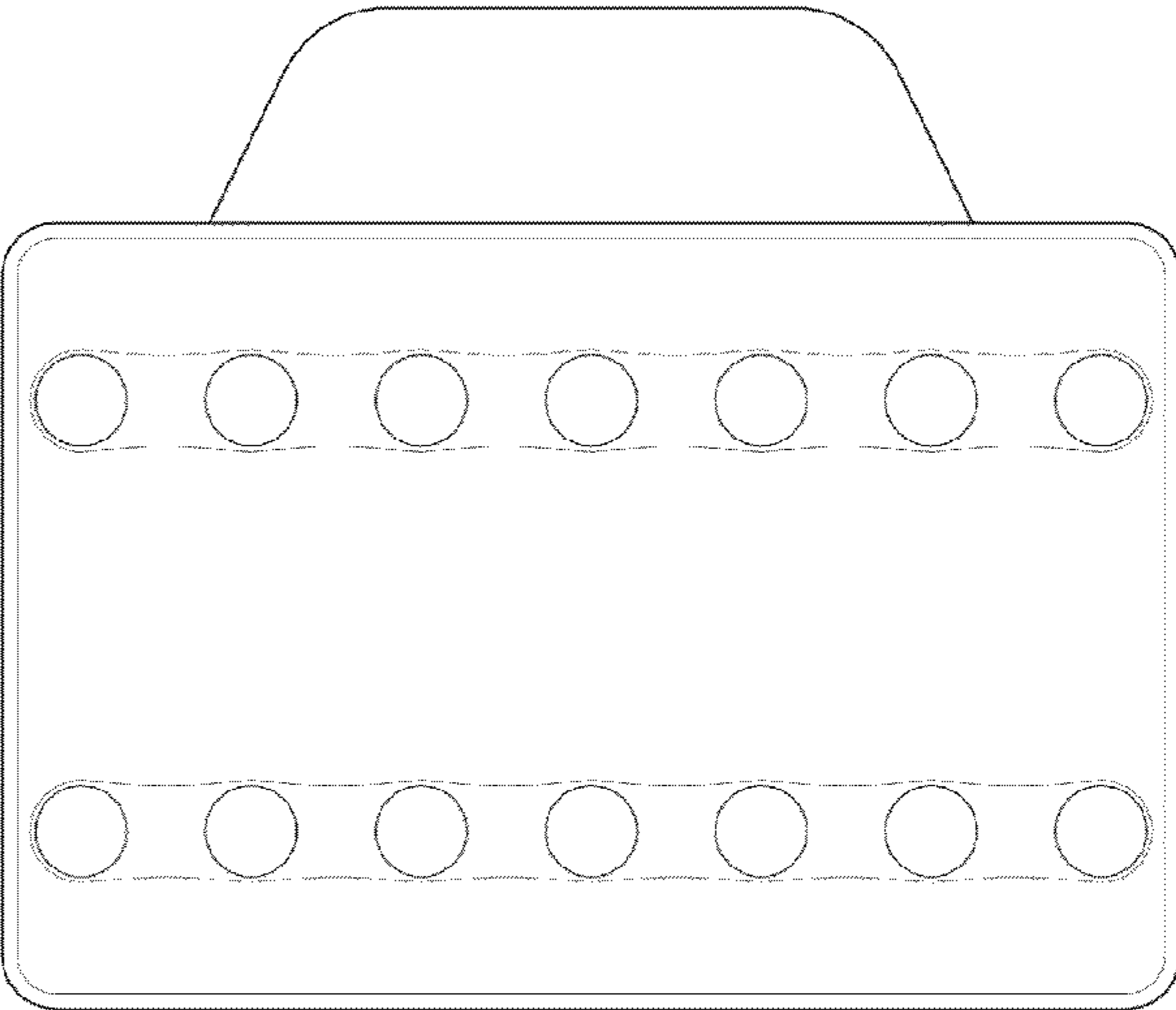


Fig. 2

Fig. 3

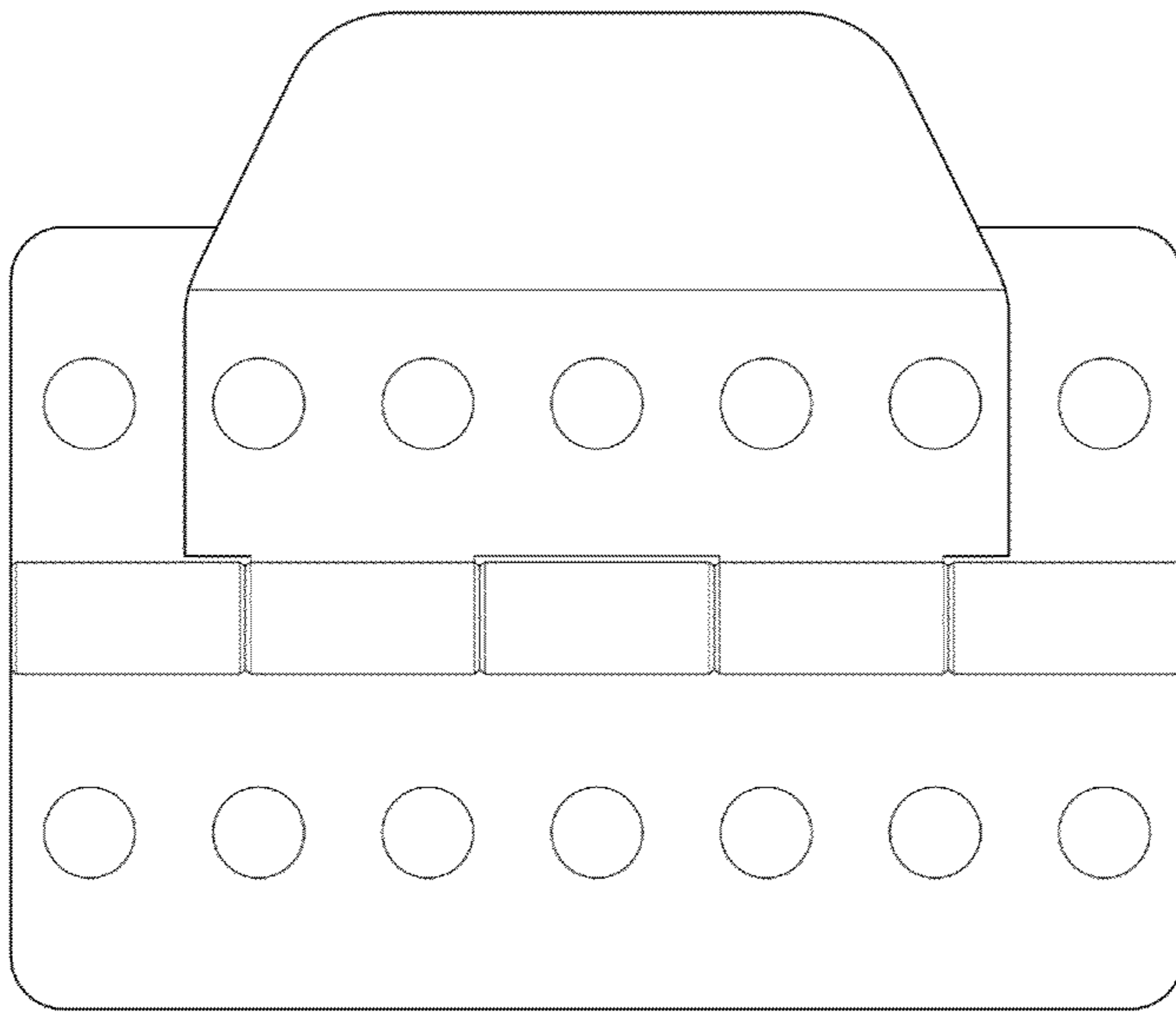


Fig. 4

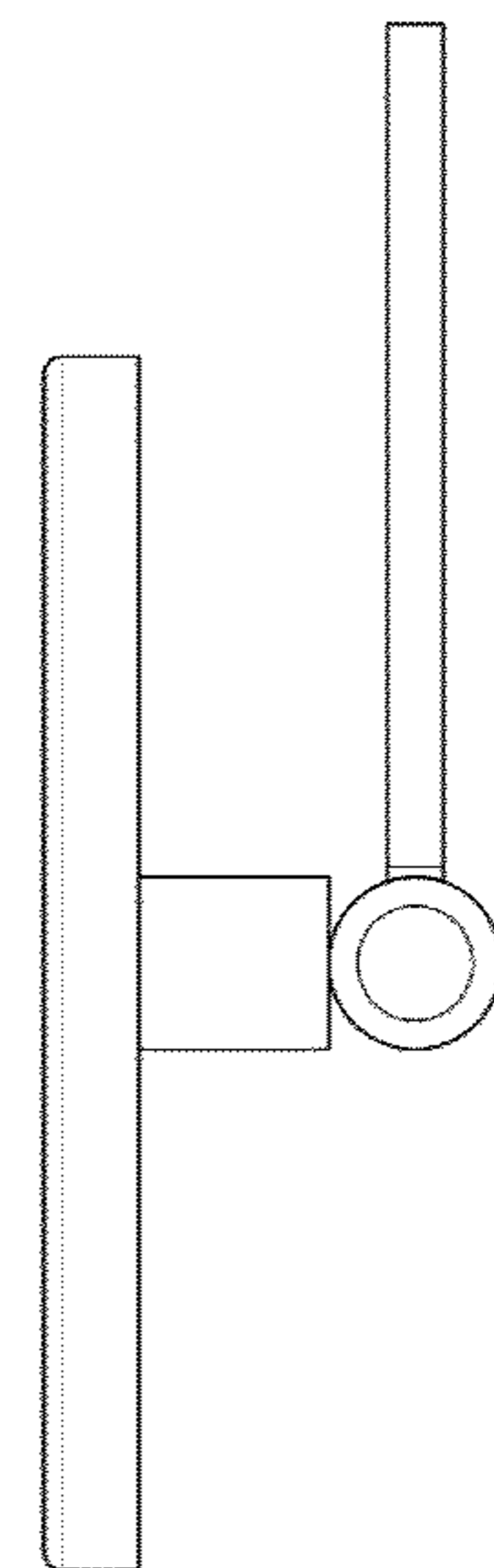


Fig. 5

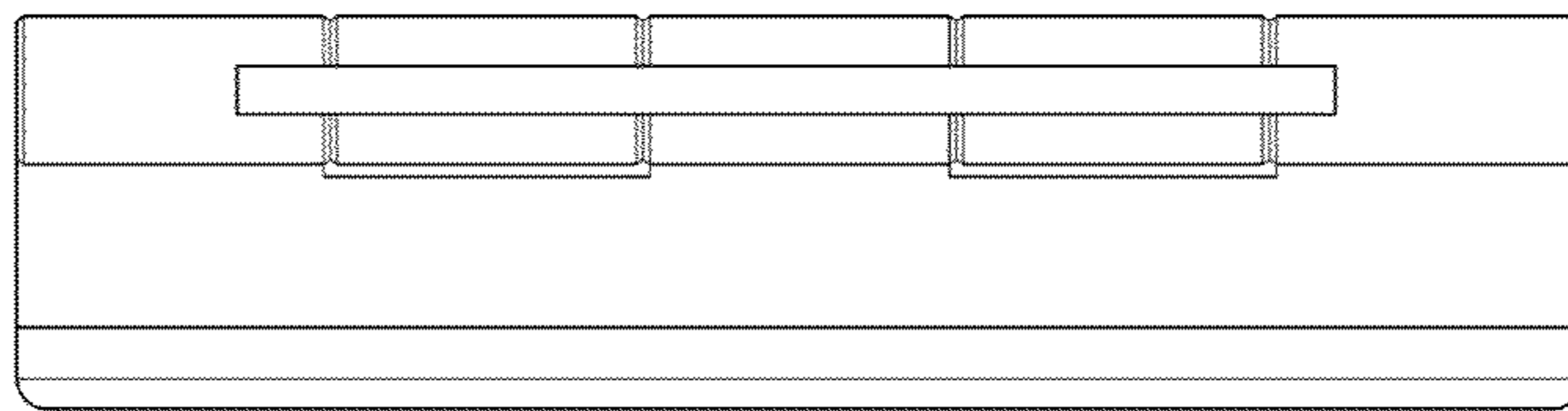


Fig. 6

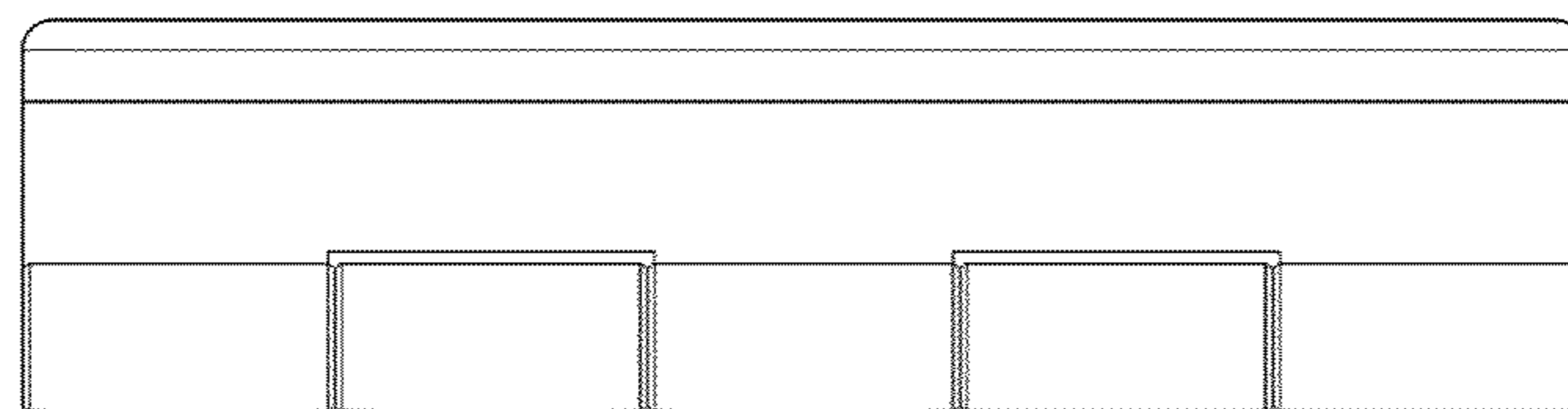


Fig. 7

