



US00D702044S

(12) **United States Design Patent**
Shitrit et al.

(10) **Patent No.:** **US D702,044 S**
(45) **Date of Patent:** **** Apr. 8, 2014**

(54) **TOOL BOX**

(71) Applicant: **The Stanley Works Israel Ltd.**, Rosh Ha' Ayin (IL)

(72) Inventors: **Elad Hay Shitrit**, Tel Aviv (IL); **Omri Lifshitz**, Tel-Aviv (IL)

(73) Assignee: **The Stanley Works Israle, ltd.** (IL)

(**) Term: **14 Years**

(21) Appl. No.: **29/441,984**

(22) Filed: **Jan. 11, 2013**

(30) **Foreign Application Priority Data**

Jul. 12, 2012 (EM) 001334734

(51) **LOC (10) Cl.** **03-01**

(52) **U.S. Cl.**
USPC **D3/281; D3/283; D3/905**

(58) **Field of Classification Search**
USPC 280/47.26, 47.19; 220/4.27; 206/503,
206/372-379; D3/273, 274, 276, 279, 281,
D3/282, 283-288, 905; D34/19, 25;
312/108

See application file for complete search history.

(56) **References Cited**

U.S. PATENT DOCUMENTS

6,176,559 B1 * 1/2001 Tiramani et al. 280/47.26
D437,484 S * 2/2001 Tiramani et al. D3/279

6,371,320 B2 * 4/2002 Sagol 220/4.27
D462,168 S * 9/2002 Klemmensen et al. D3/279
D462,170 S * 9/2002 Chen et al. D3/279
D596,367 S * 7/2009 Katz D34/19
D610,830 S * 3/2010 Hand D3/297
D630,851 S * 1/2011 Landau et al. D3/279
D653,832 S * 2/2012 Vilkomirski et al. D34/25
8,132,819 B2 * 3/2012 Landau et al. 280/47.26
D661,858 S * 6/2012 Lifshitz et al. D34/25
D668,048 S * 10/2012 Vilkomirski et al. D3/281
2002/0030425 A1 * 3/2002 Tiramani et al. 280/47.26
2007/0273114 A1 * 11/2007 Katz 280/47.26
2011/0181008 A1 * 7/2011 Bensman et al. 280/47.26
2012/0326406 A1 * 12/2012 Lifshitz et al. 206/503

* cited by examiner

Primary Examiner — Jennifer Rivard

(74) *Attorney, Agent, or Firm* — Bruce S. Shapiro; John Yun; Stephen R. Valancius

(57) **CLAIM**

The ornamental design for a tool box, as shown and described.

DESCRIPTION

FIG. 1 is a left front perspective view of our new design.

FIG. 2 is a left side view thereof.

FIG. 3 is a right side view thereof.

FIG. 4 is a front view thereof.

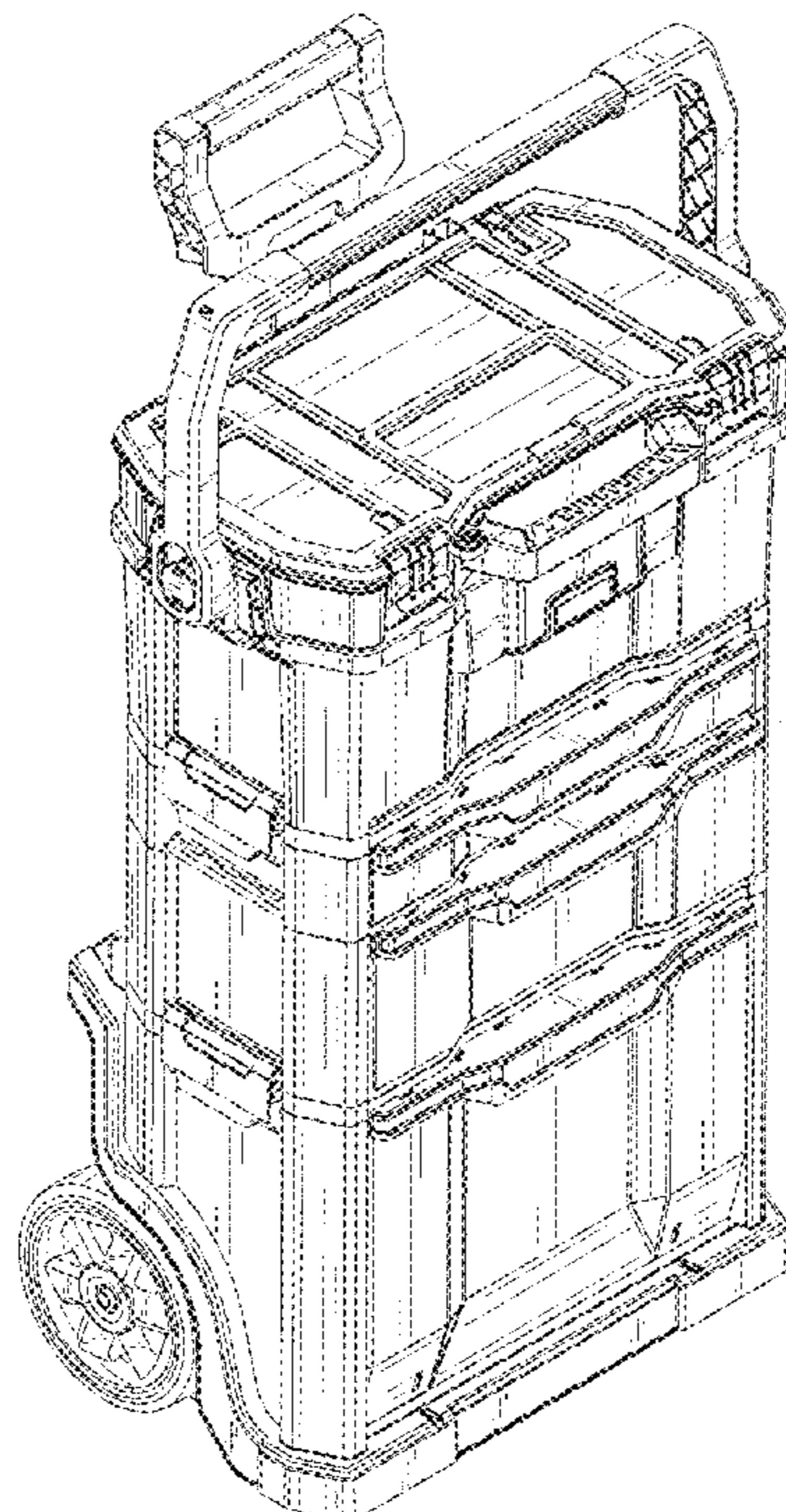
FIG. 5 is a rear side view thereof.

FIG. 6 is a top view thereof; and,

FIG. 7 is a bottom view thereof.

The broken lines shown in the FIGS. 5 and 7 illustrate portions of the tool box and form no part of the claimed design.

1 Claim, 6 Drawing Sheets



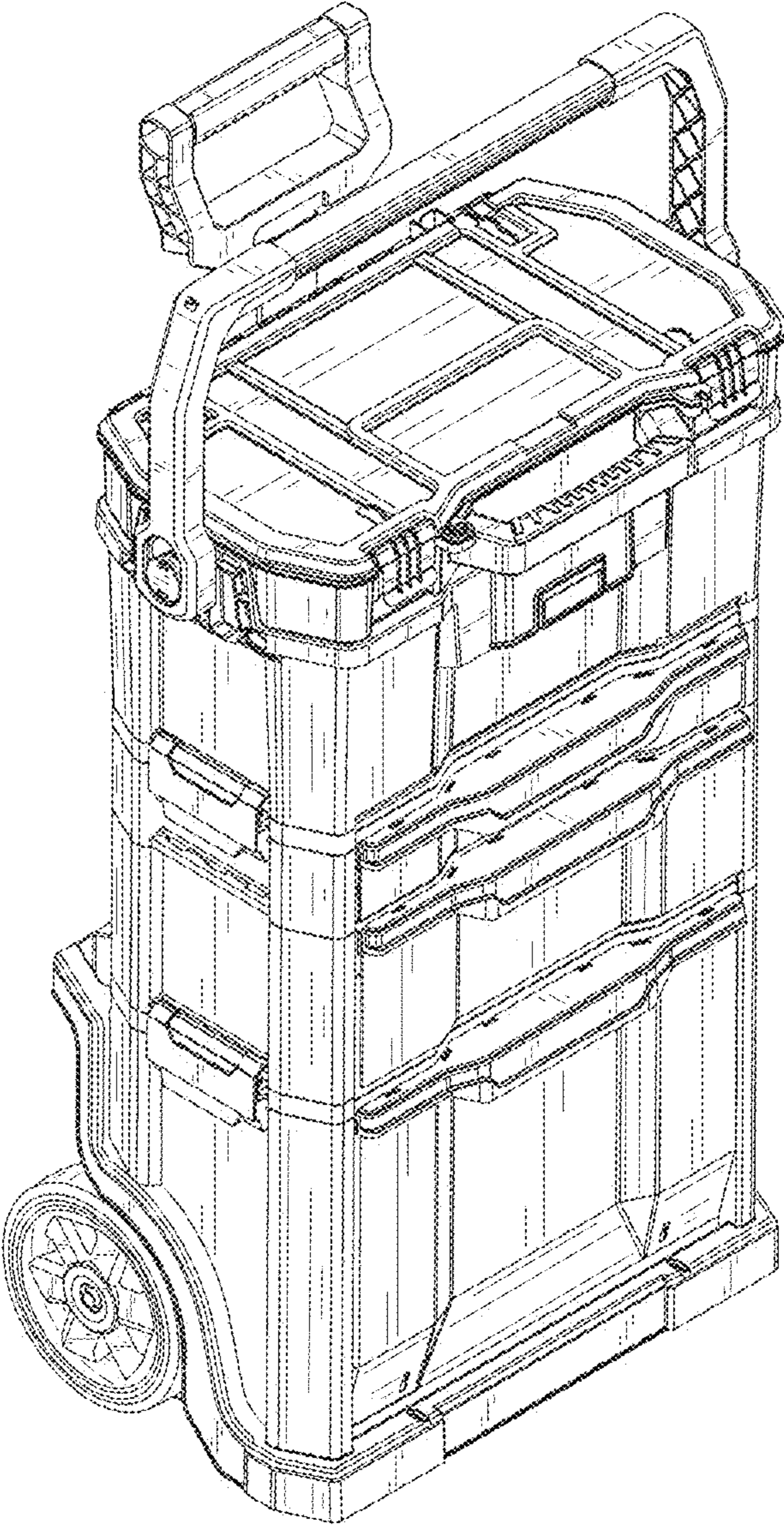


FIG.1

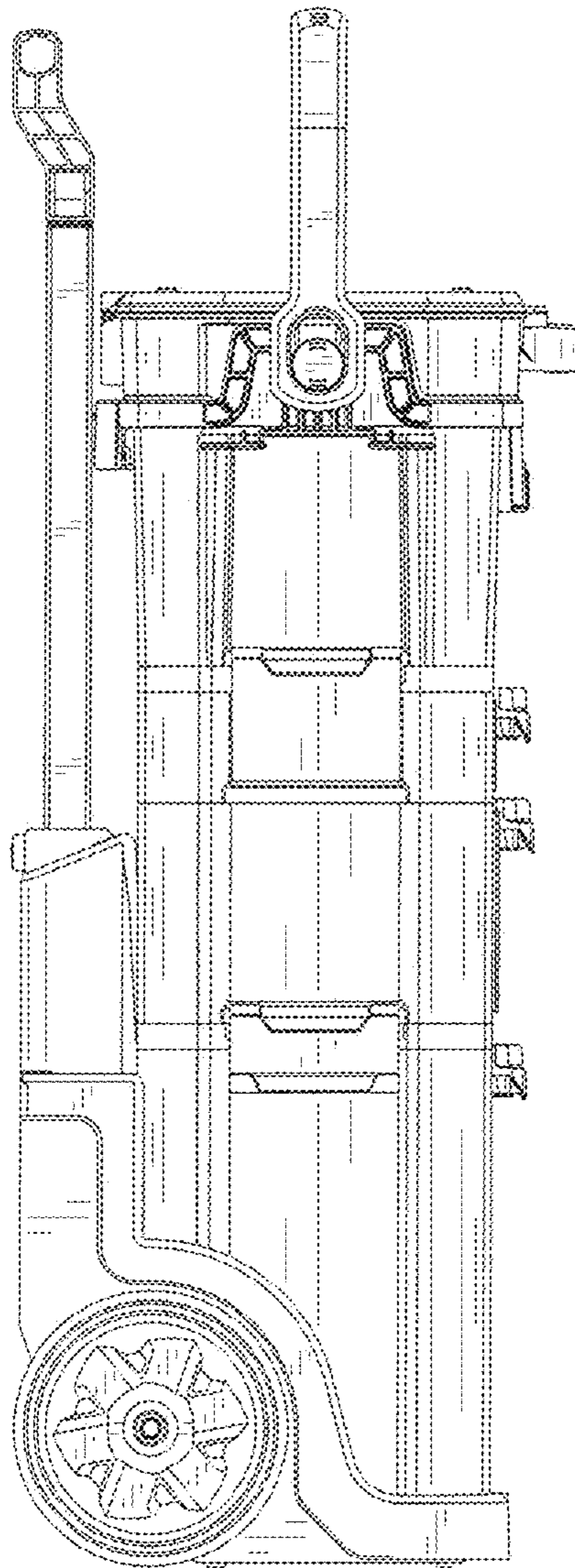


FIG.2

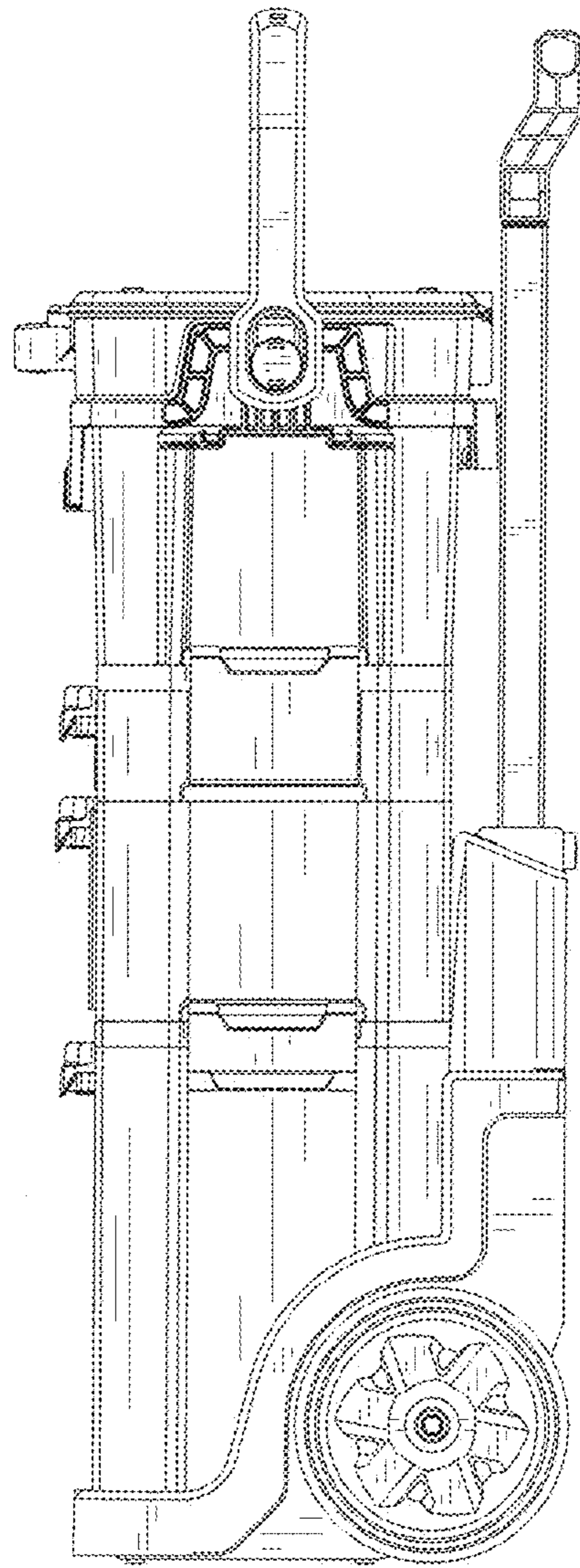


FIG.3

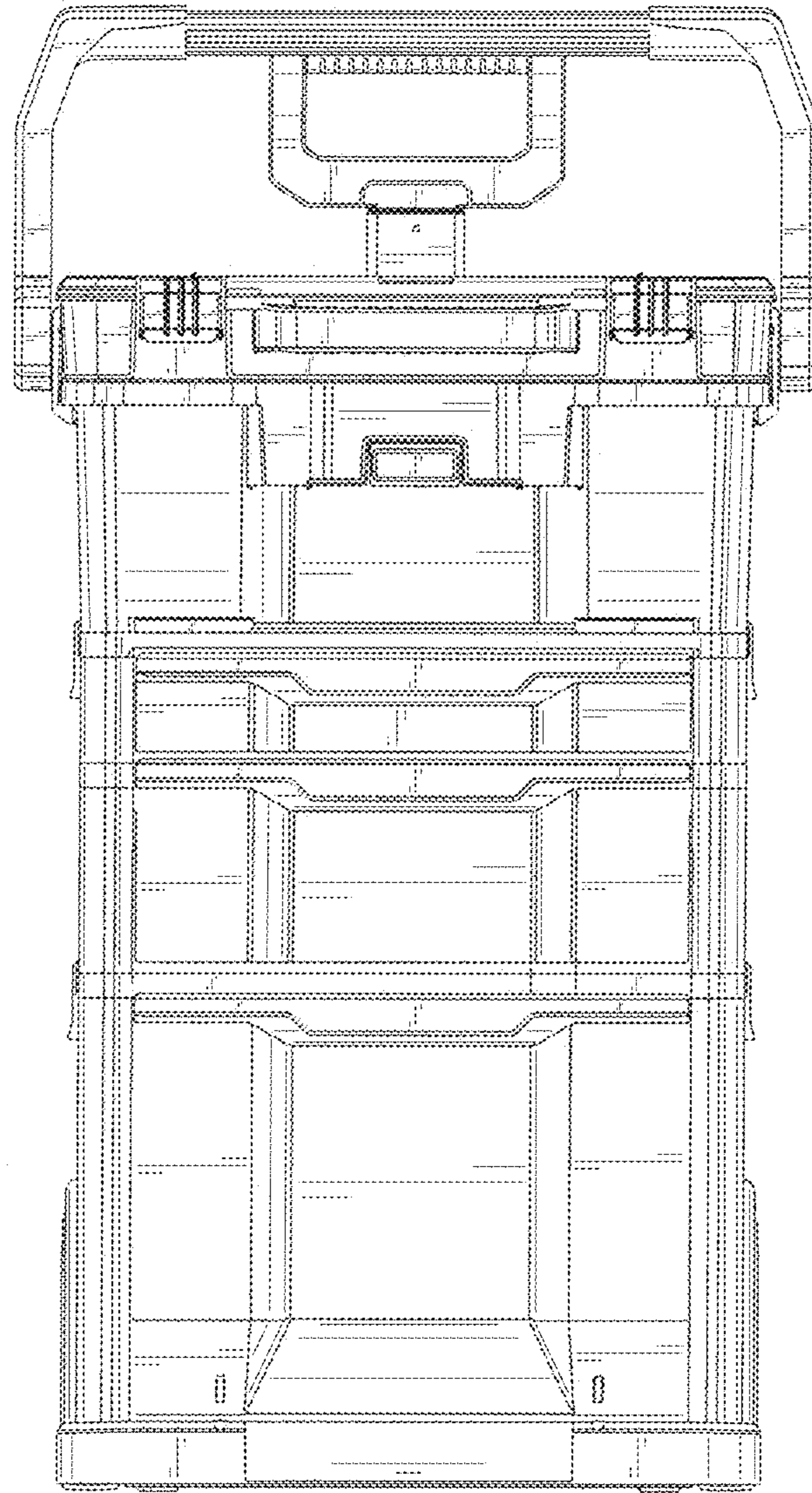


FIG.4

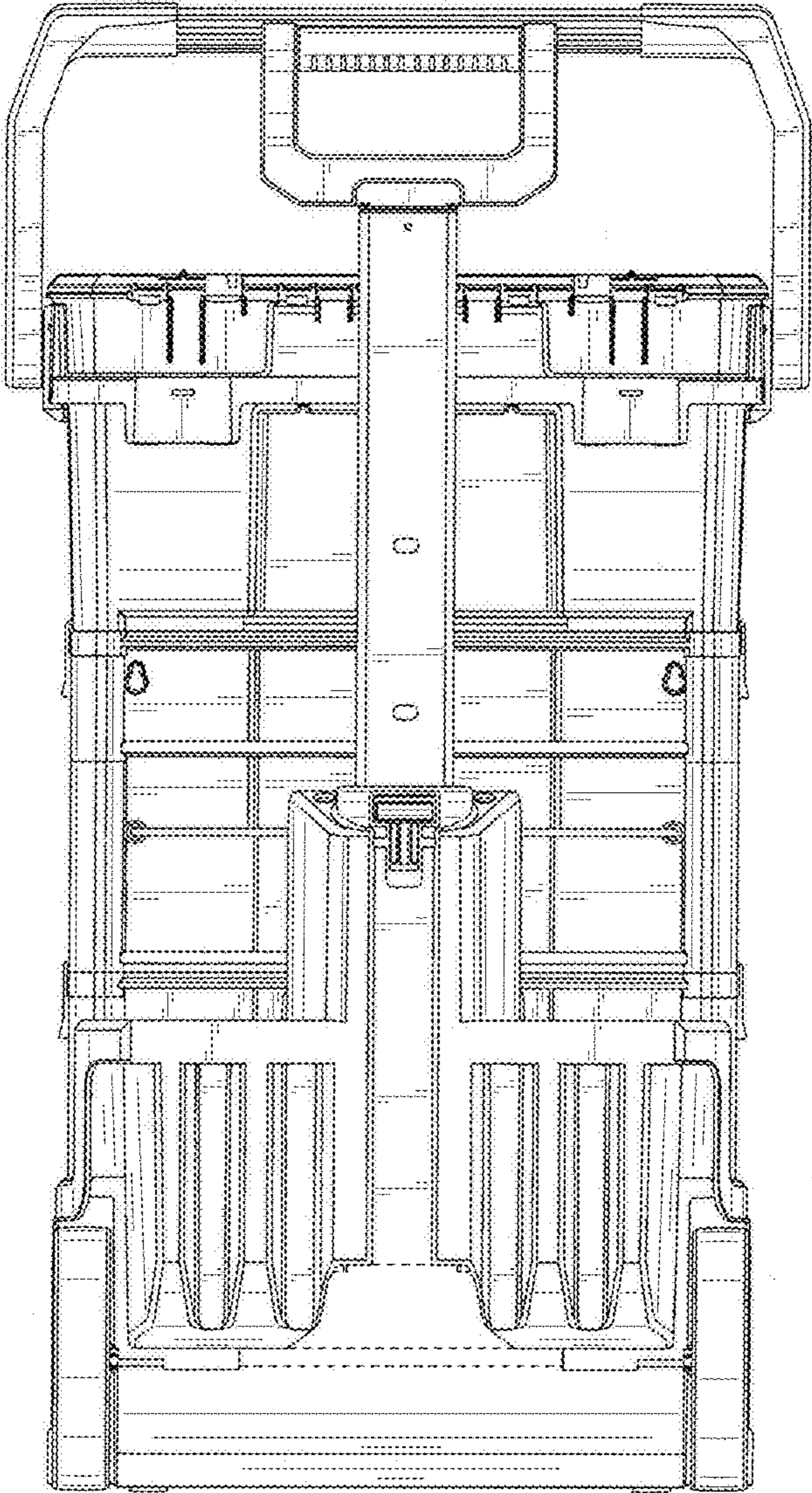


FIG. 5

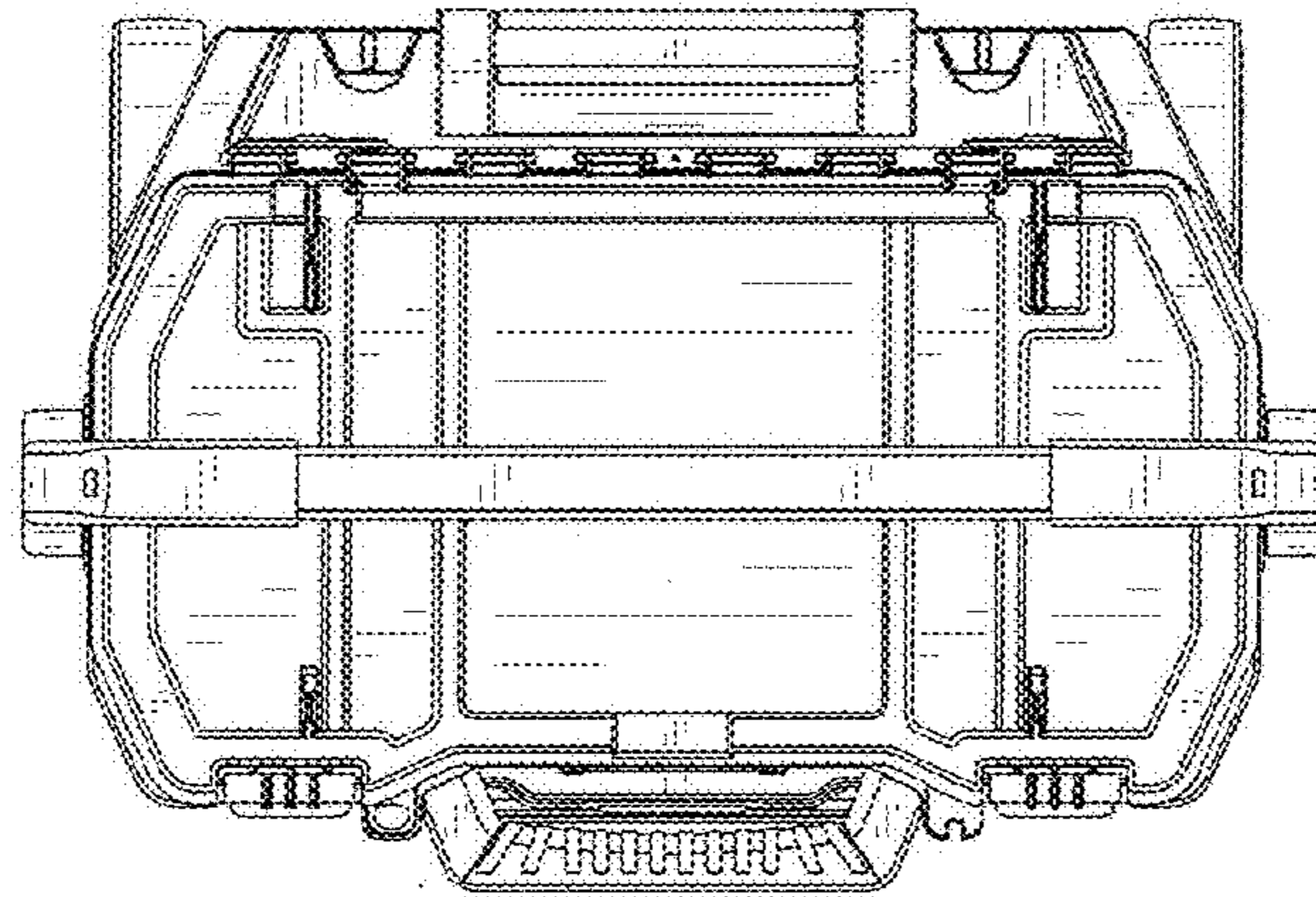


FIG. 6

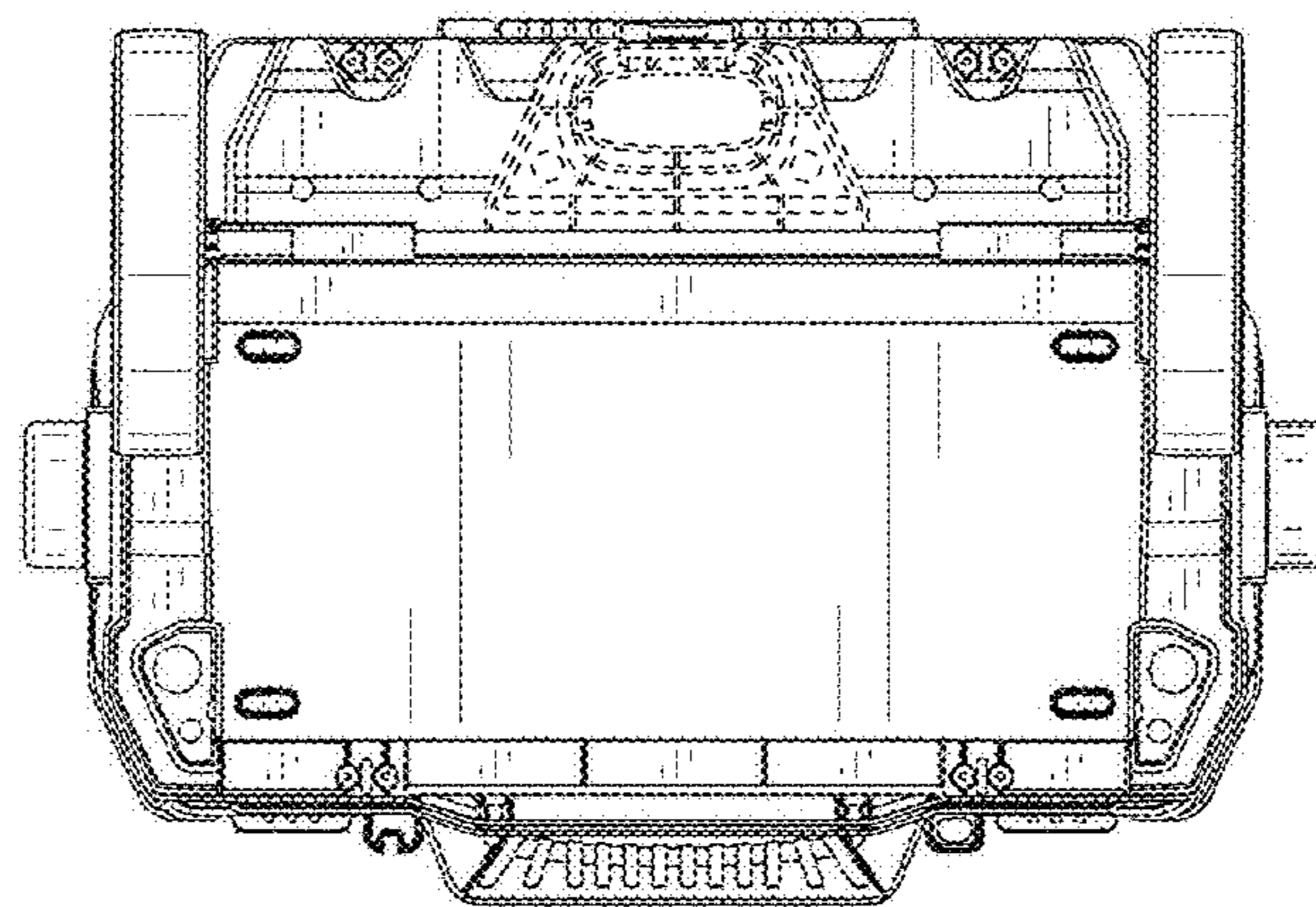


FIG. 7