



US00D702042S

(12) **United States Design Patent**
Holloway et al.

(10) **Patent No.:** **US D702,042 S**

(45) **Date of Patent:** **** Apr. 8, 2014**

(54) **HANDBAG**

D614,866 S * 5/2010 Gerbi D3/243
D652,209 S * 1/2012 Swartz et al. D3/243
D658,872 S * 5/2012 Schiffman D3/243

(71) Applicants: **Simon Holloway**, London (GB);
Laurence Kuster, London (GB);
Nicolas Baurain, London (GB)

* cited by examiner

(72) Inventors: **Simon Holloway**, London (GB);
Laurence Kuster, London (GB);
Nicolas Baurain, London (GB)

Primary Examiner — Holly Baynham
(74) *Attorney, Agent, or Firm* — Fross Zelnick Lehrman &
Zissu, P.C.; Lawrence E. Apolzon, Esq.

(73) Assignee: **J. Choo Limited**, London (GB)

(57) **CLAIM**

(**) Term: **14 Years**

The ornamental design for a handbag, as shown and described.

(21) Appl. No.: **29/436,074**

DESCRIPTION

(22) Filed: **Oct. 31, 2012**

(51) **LOC (10) Cl.** **03-01**

(52) **U.S. Cl.**
USPC **D3/243**

(58) **Field of Classification Search**
CPC A45C 1/02; A45C 1/024; A45C 3/06;
A45C 7/0059
USPC D3/232–233, 240–243, 245–246, 318;
150/100, 103–110, 113–114, 117–119
See application file for complete search history.

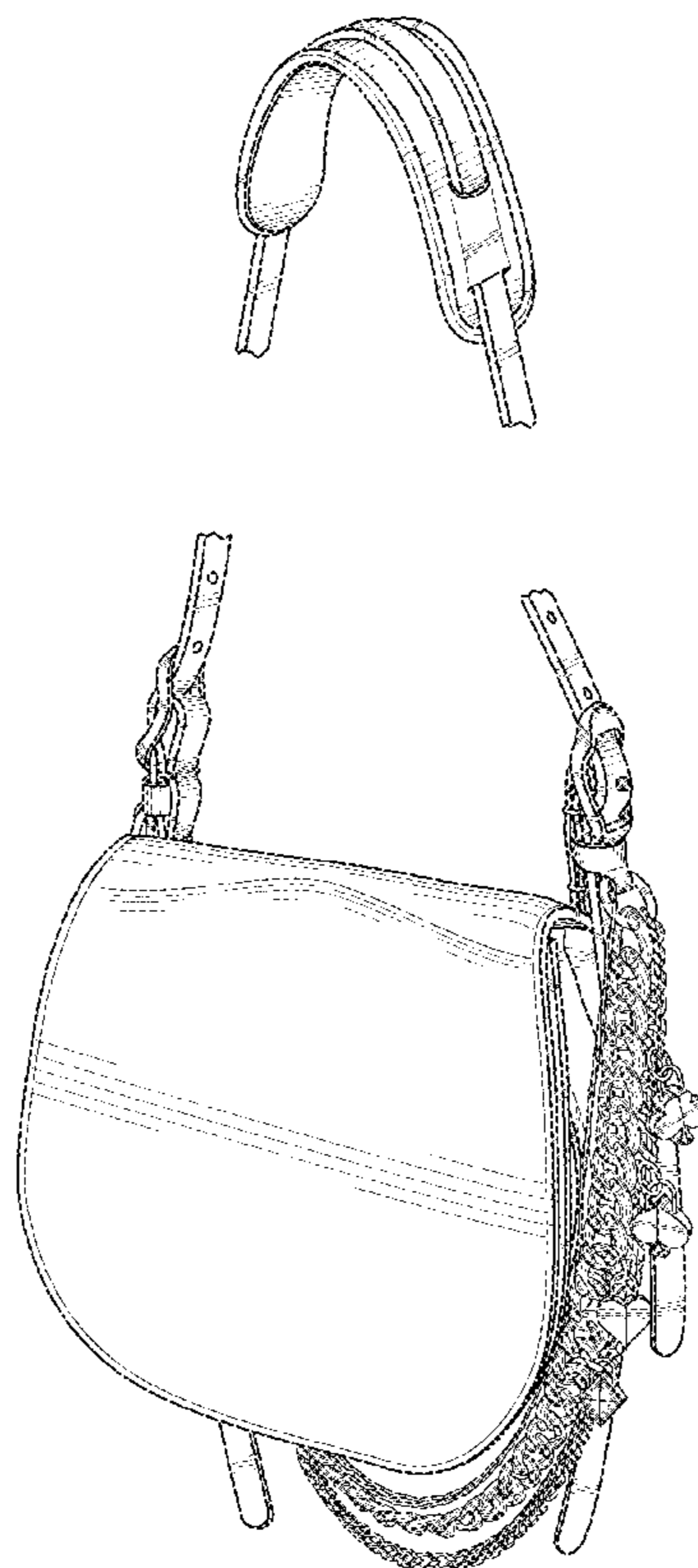
FIG. 1 is a front perspective view of a handbag showing my new design;
FIG. 2 is a front view of the handbag shown in FIG. 1;
FIG. 3 is a rear view of the handbag shown in FIG. 1;
FIG. 4 is a right side of the handbag shown in FIG. 1;
FIG. 5 is a left side view of the handbag shown in FIG. 1;
FIG. 6 is a top view of the handbag shown in FIG. 1; and,
FIG. 7 is a bottom view of the handbag shown in FIG. 1.
The broken line showing of the handles, screws, grommets, rivets, metal rings, hanging leather tabs, and portions of the body of the bag in relevant drawings shows unclaimed subject matter for the design in those drawings.
The break lines shown in the drawings of the handles indicate indeterminate length.

(56) **References Cited**

U.S. PATENT DOCUMENTS

D260,053 S * 8/1981 Siegel D3/243
D560,351 S * 1/2008 Boehm et al. D3/202

1 Claim, 6 Drawing Sheets



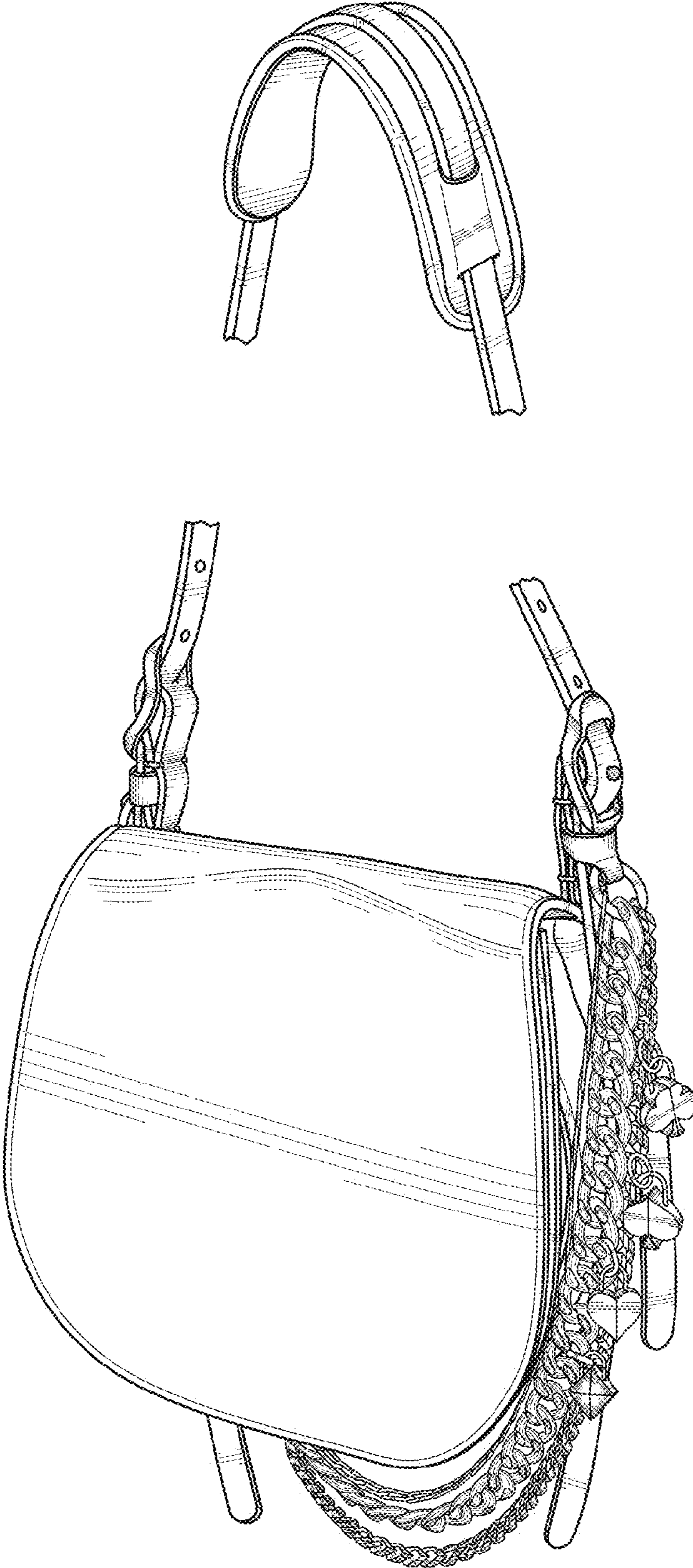


FIG. 1

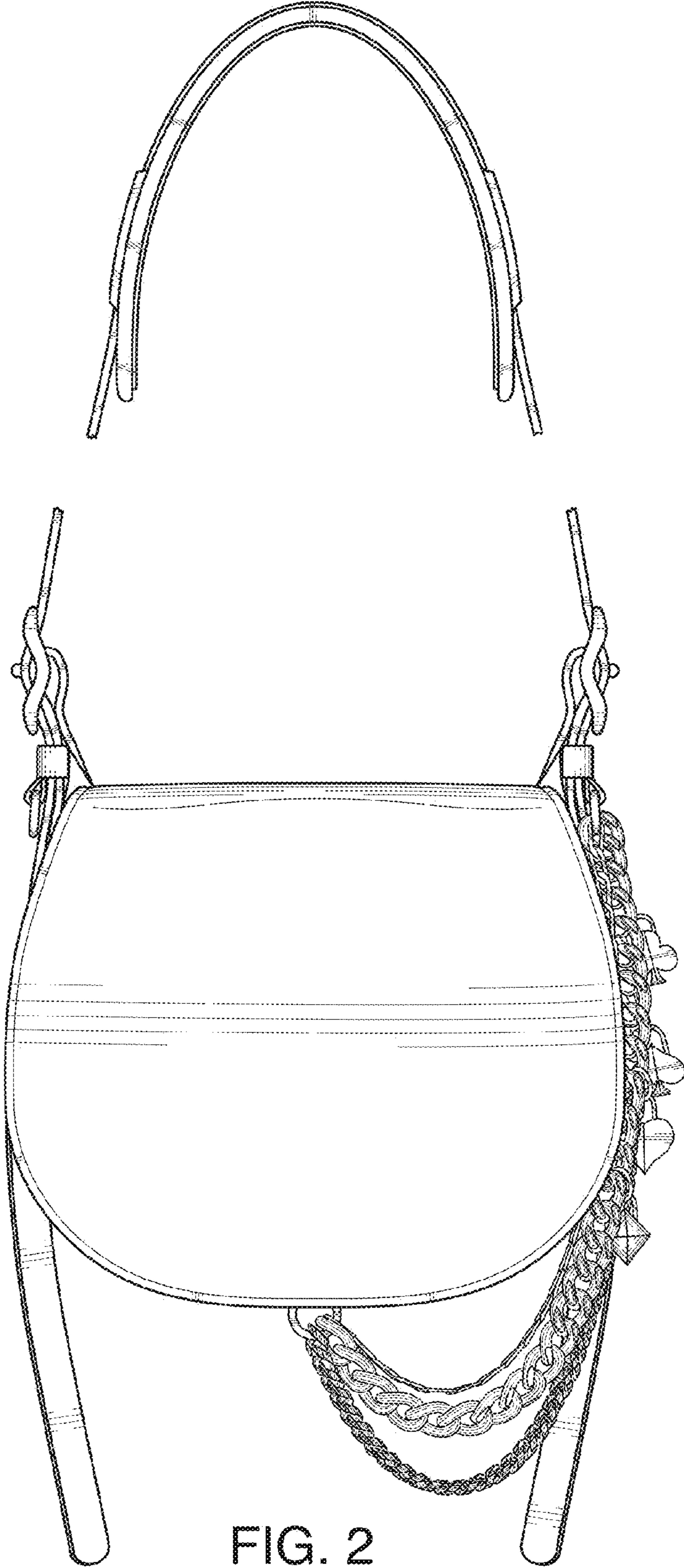


FIG. 2

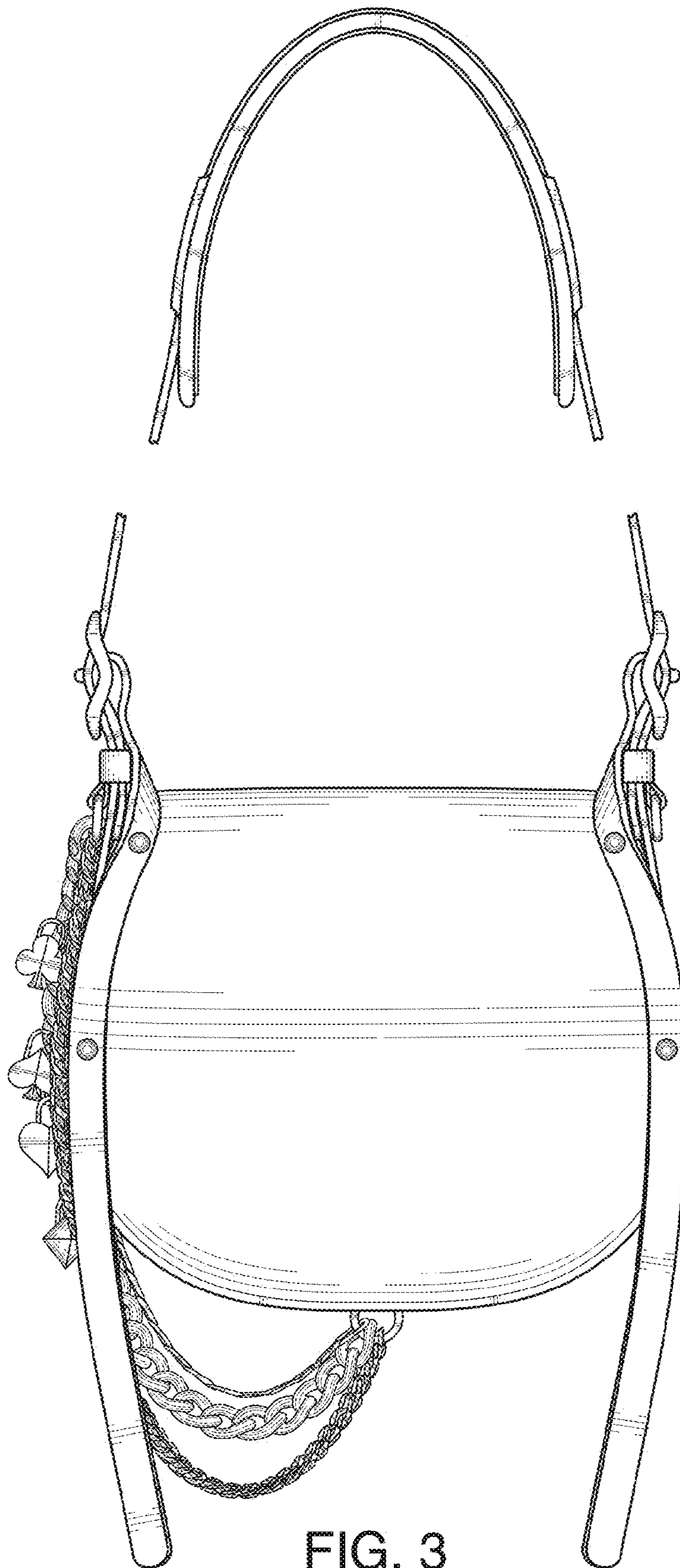


FIG. 3

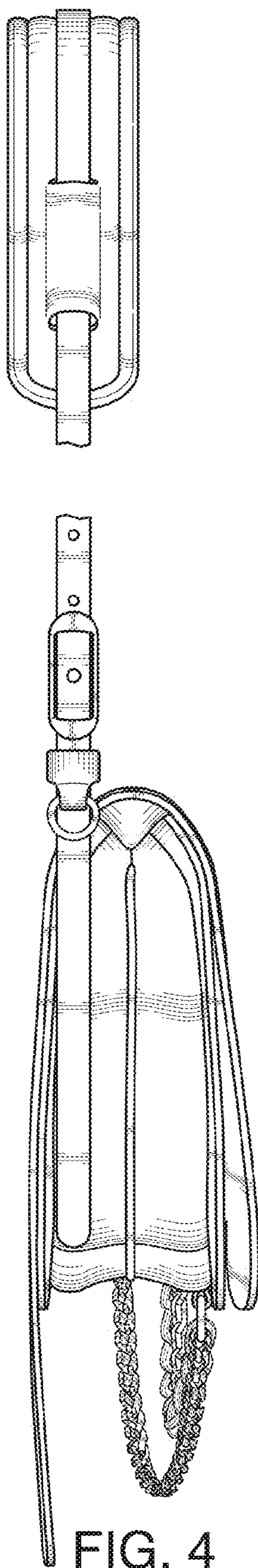


FIG. 4

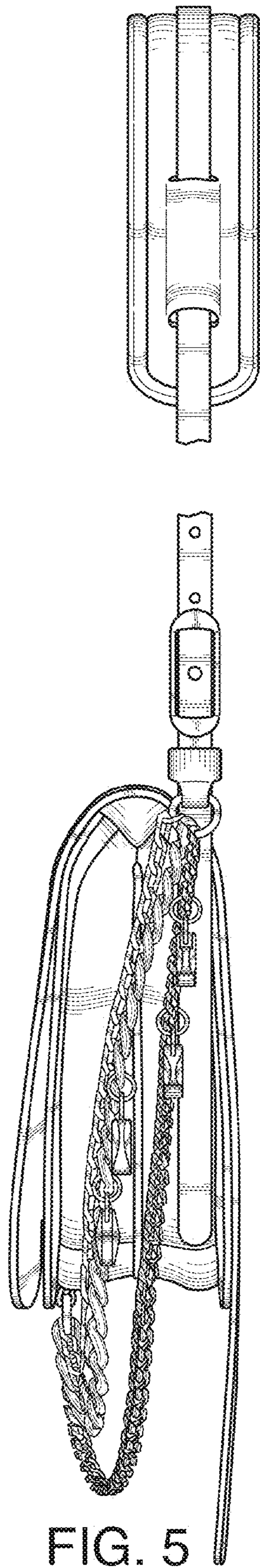


FIG. 5

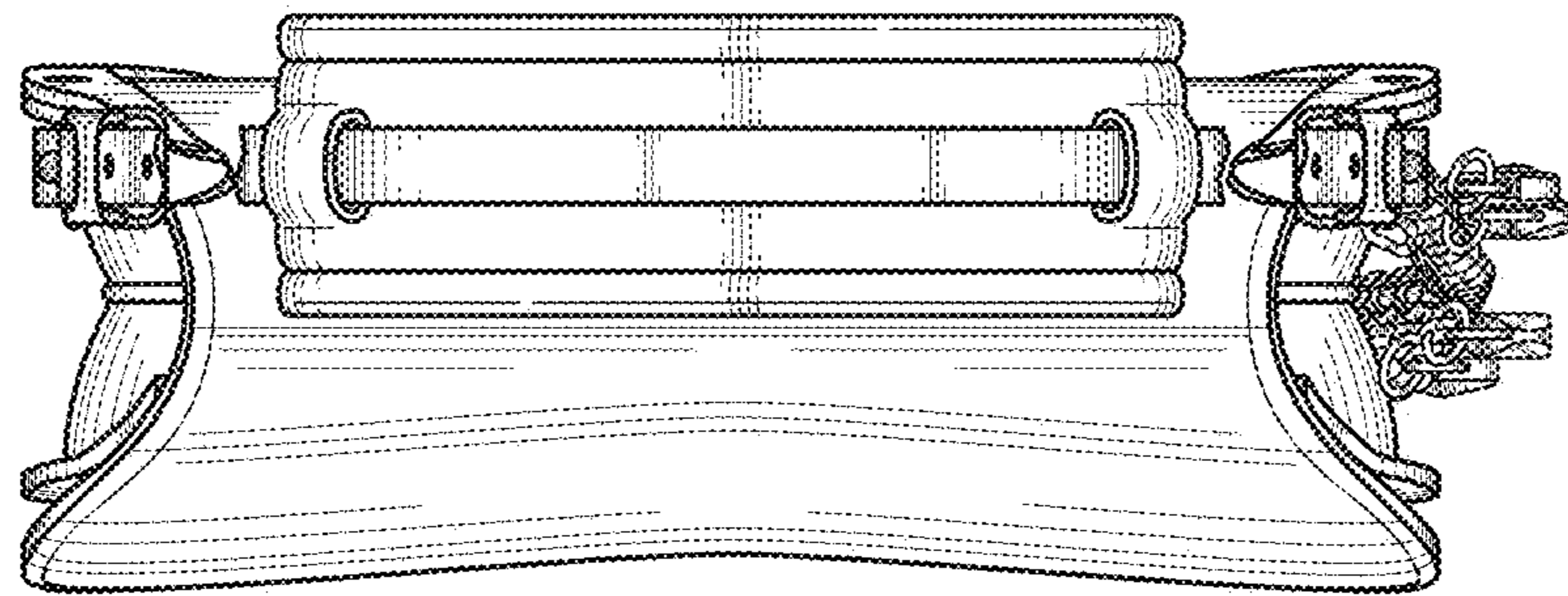


FIG. 6

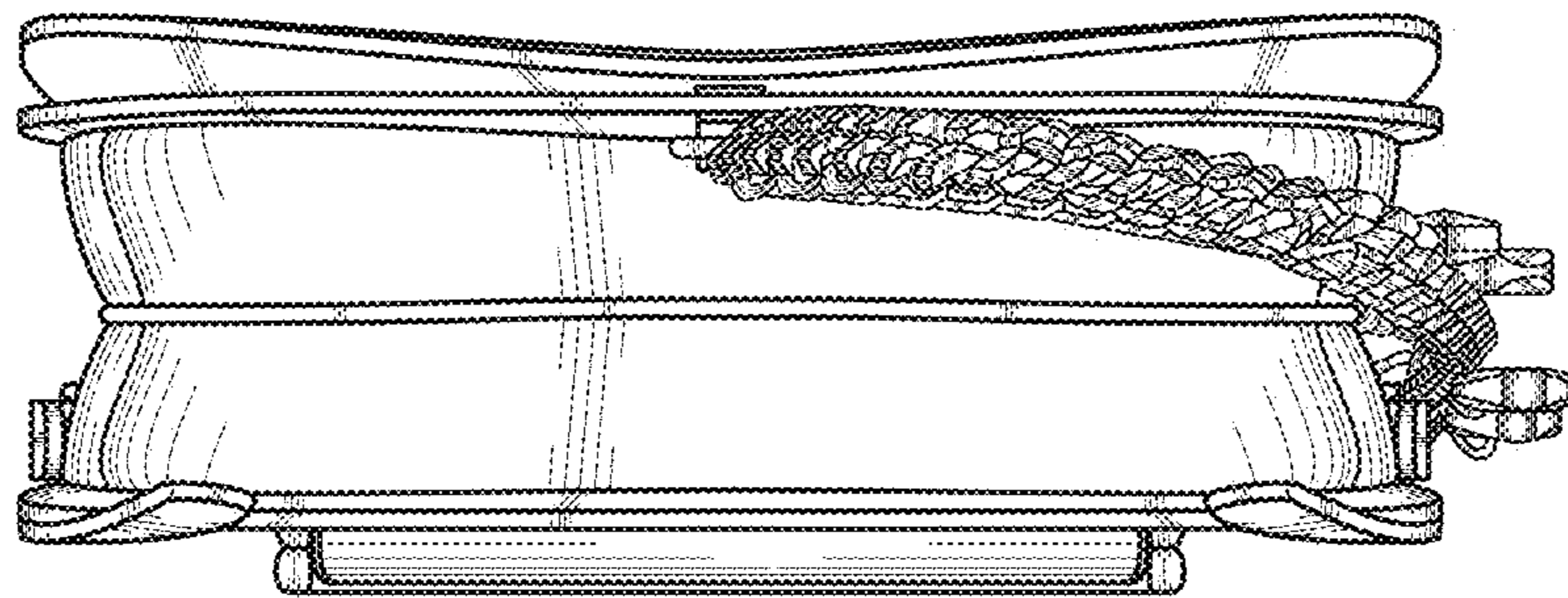


FIG. 7

UNITED STATES PATENT AND TRADEMARK OFFICE
CERTIFICATE OF CORRECTION

PATENT NO. : D702,042 S
APPLICATION NO. : 29/436074
DATED : April 8, 2014
INVENTOR(S) : Holloway et al.

Page 1 of 1

It is certified that error appears in the above-identified patent and that said Letters Patent is hereby corrected as shown below:

On the Title Page, Item [30] should read -

[30] Foreign Application Priority Data

August 3, 2012 (EM)002083626-0007

Signed and Sealed this
Tenth Day of June, 2014



Michelle K. Lee
Deputy Director of the United States Patent and Trademark Office