



US00D702041S

(12) **United States Design Patent**
Wu

(10) **Patent No.:** **US D702,041 S**
(45) **Date of Patent:** **** Apr. 8, 2014**

(54) **MESH BASKET WITH SHOULDER AND WAIST STRAPS**

(71) Applicant: **Jon Wu**, Taipei (TW)

(72) Inventor: **Jon Wu**, Taipei (TW)

(**) Term: **14 Years**

(21) Appl. No.: **29/443,518**

(22) Filed: **Jan. 18, 2013**

(51) **LOC (10) Cl.** **03-01**

(52) **U.S. Cl.**
USPC **D3/216; D3/305**

(58) **Field of Classification Search**
USPC D3/201, 213, 214, 215, 216, 217, 218, D3/231, 232, 267, 273, 289, 290, 221, 304, D3/305, 306; D22/199; D26/119; D32/36; 224/153, 155, 575, 578, 579, 581, 586, 224/613, 617, 627, 628, 634, 637, 644, 645, 224/650, 653, 657; 5/413 R; 441/80; 220/9.2; 43/1, 100; 135/121
See application file for complete search history.

(56) **References Cited**

U.S. PATENT DOCUMENTS

| | | | | | |
|-----------|-----|---------|------------|-------|---------|
| 216,227 | A * | 6/1879 | Sedgwick | | 220/9.2 |
| 1,454,388 | A * | 5/1923 | Waldemar | | 220/9.2 |
| 2,716,304 | A * | 8/1955 | Taylor | | 43/100 |
| 3,014,516 | A * | 12/1961 | Mueller | | 220/9.2 |
| 3,480,059 | A * | 11/1969 | Schoening | | 220/9.2 |
| 4,224,754 | A * | 9/1980 | Derryberry | | 43/1 |
| 5,490,619 | A * | 2/1996 | Boyar | | 224/153 |

| | | | | | |
|--------------|------|---------|-----------------|-------|---------|
| D393,364 | S * | 4/1998 | John | | D3/221 |
| 6,289,910 | B1 * | 9/2001 | Zheng | | 135/125 |
| 6,467,665 | B1 * | 10/2002 | Jenkins | | 224/628 |
| D470,910 | S * | 2/2003 | Abel | | D22/199 |
| 6,616,004 | B1 * | 9/2003 | Erickson et al. | | 220/9.2 |
| 6,830,170 | B2 * | 12/2004 | Abel | | 224/634 |
| D577,851 | S * | 9/2008 | Yurich | | D26/119 |
| D622,960 | S * | 9/2010 | Sabounjian | | D3/305 |
| D625,891 | S * | 10/2010 | Krotts et al. | | D32/36 |
| 2010/0186792 | A1 * | 7/2010 | Imhof | | 135/121 |

* cited by examiner

Primary Examiner — Caron D Veynar

Assistant Examiner — Martie K Holtje

(74) *Attorney, Agent, or Firm* — McClure, Qualey & Rodack, LLP

(57) **CLAIM**

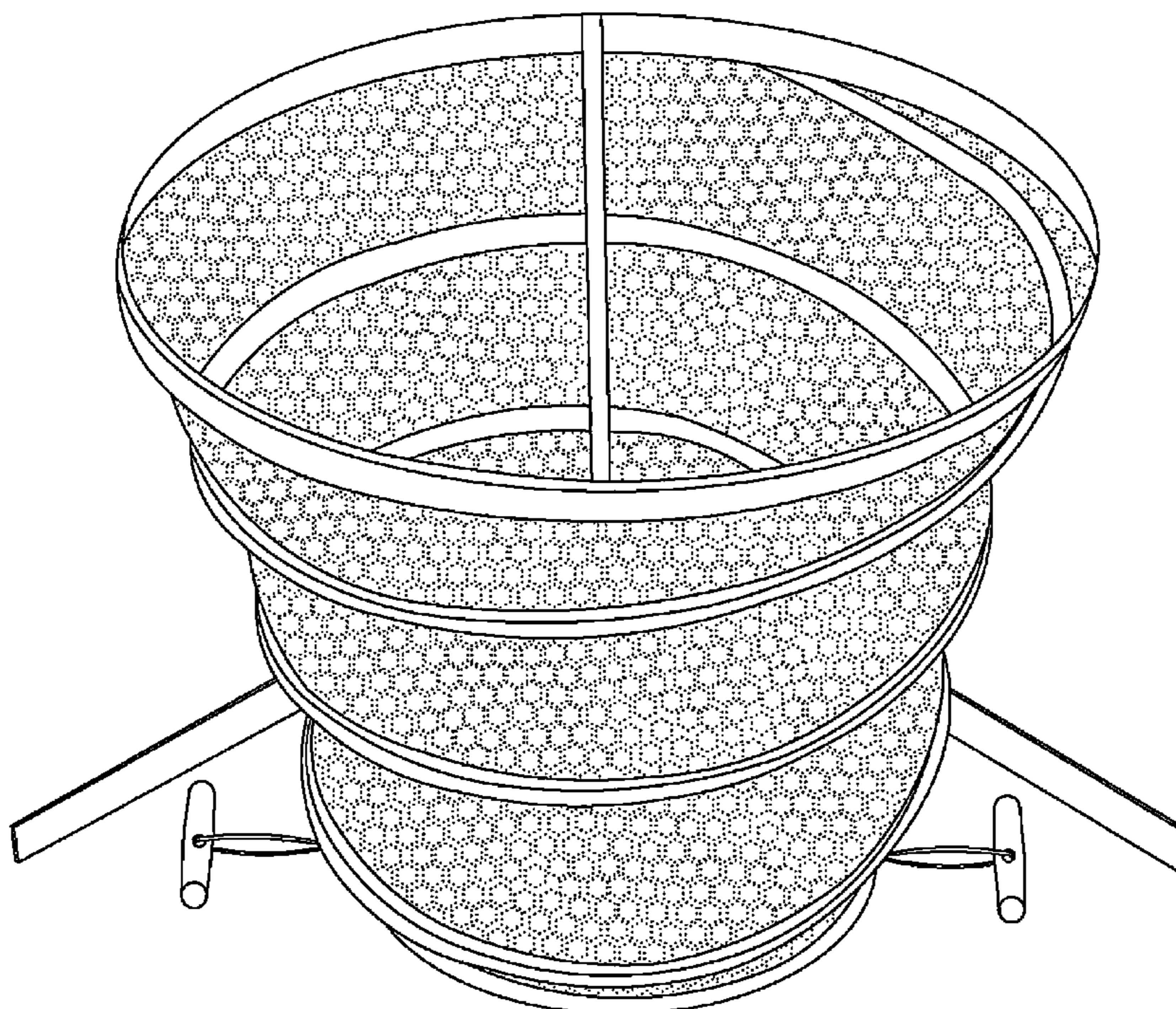
The ornamental design for a mesh basket with shoulder and waist straps, as shown and described.

DESCRIPTION

FIG. 1 is a front elevational view of a mesh basket with shoulder and waist straps showing my new design; FIG. 2 is a rear elevational view thereof; FIG. 3 is a left side elevational view thereof; FIG. 4 is a right side elevational view thereof; FIG. 5 is a top plan view thereof; FIG. 6 is a bottom plan view thereof; and, FIG. 7 is a perspective view thereof.

The mesh openings, depicted by broken lines in the figures, have been shown for the purpose of illustrating portions of the mesh basket with shoulder and waist straps that form no part of the claimed design.

1 Claim, 7 Drawing Sheets



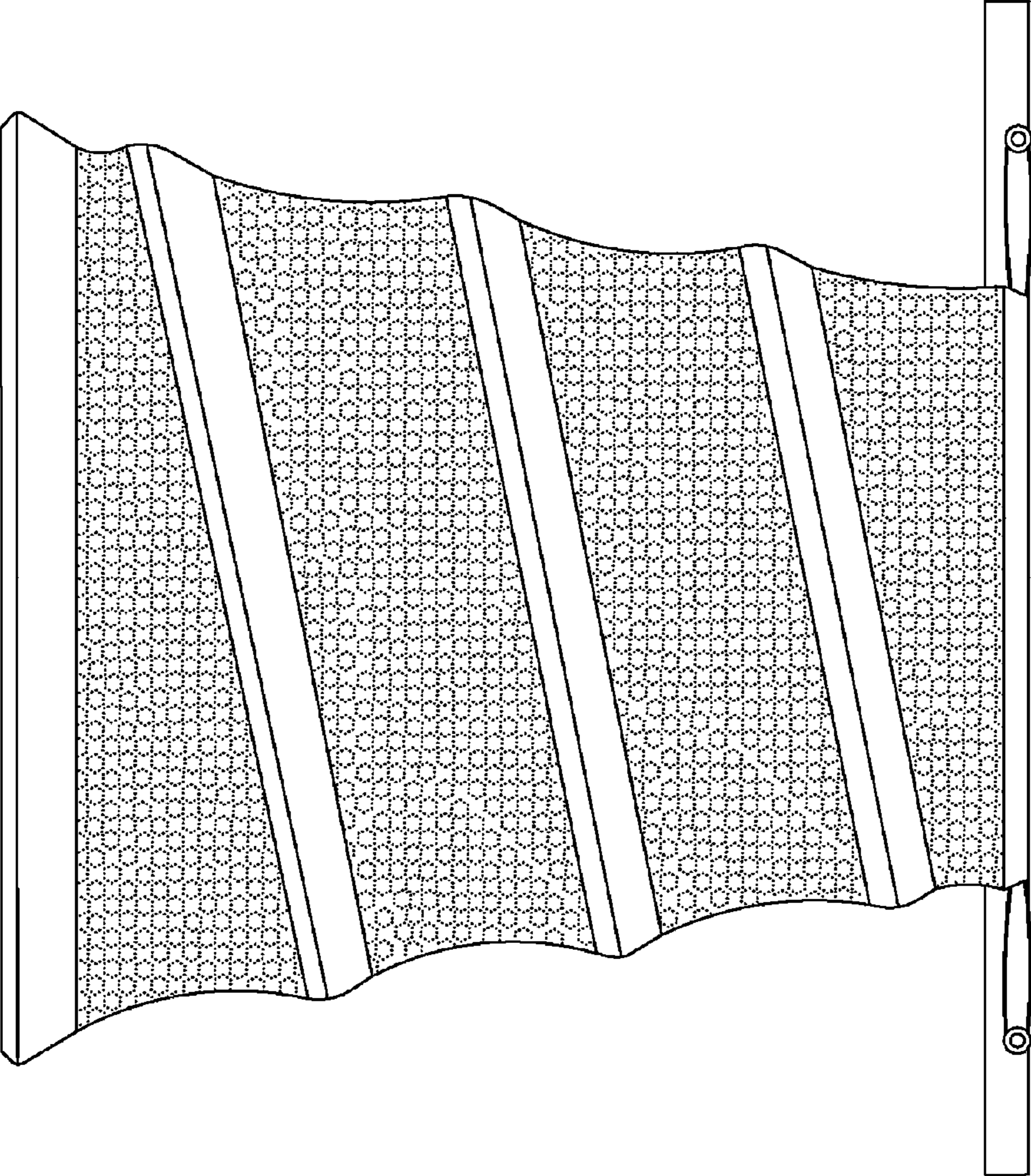


FIG. 1

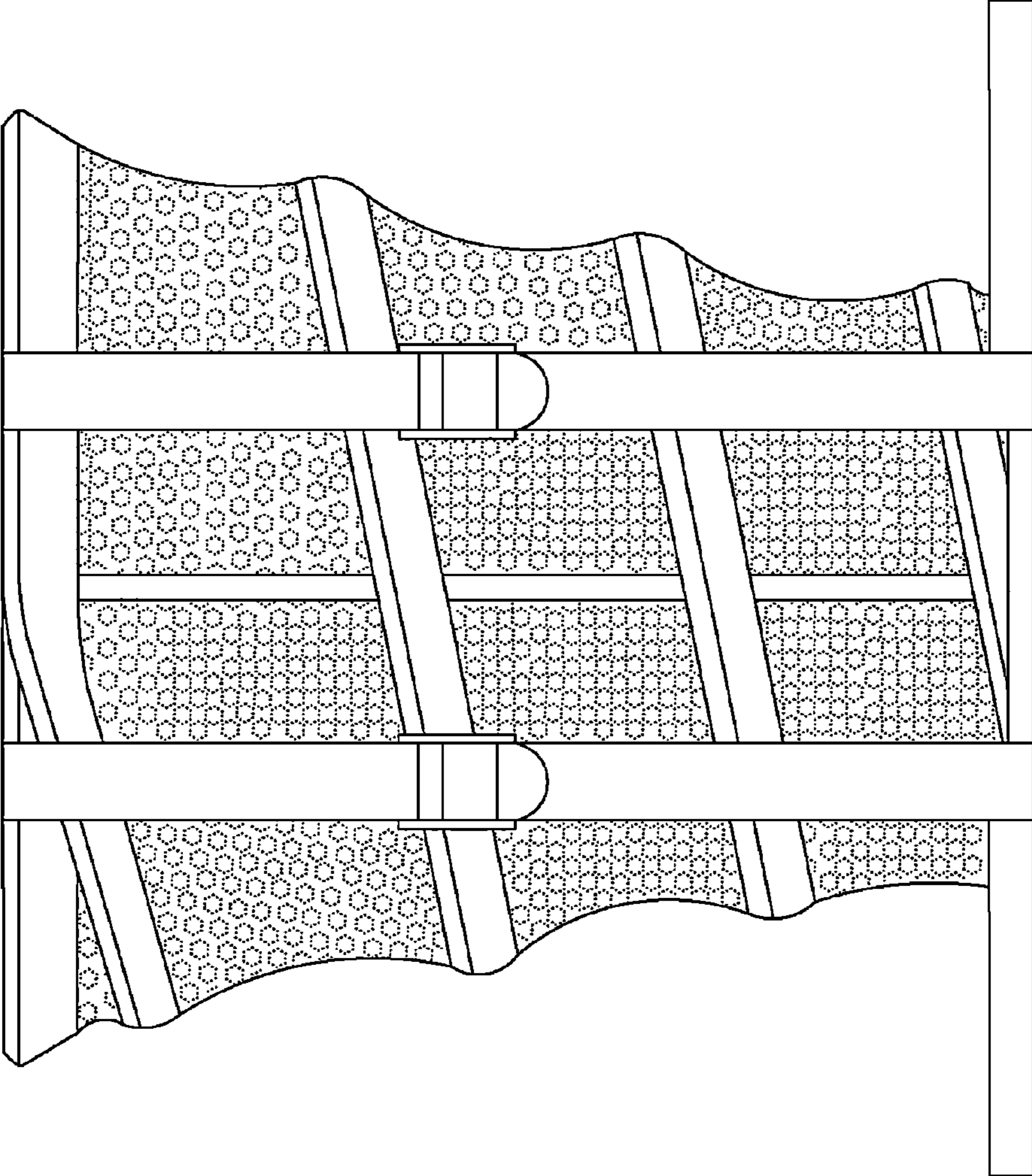


FIG. 2

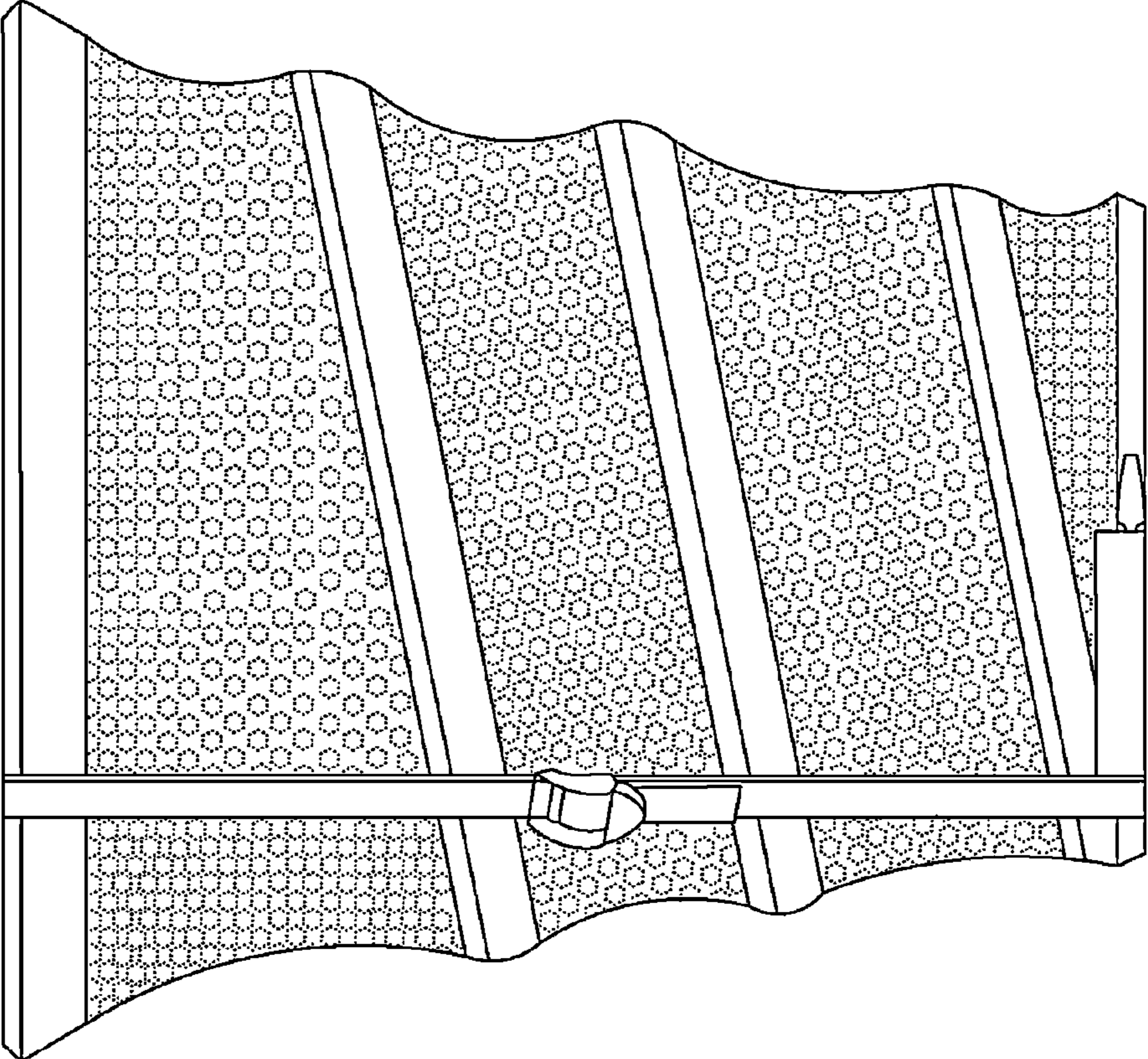


FIG. 3

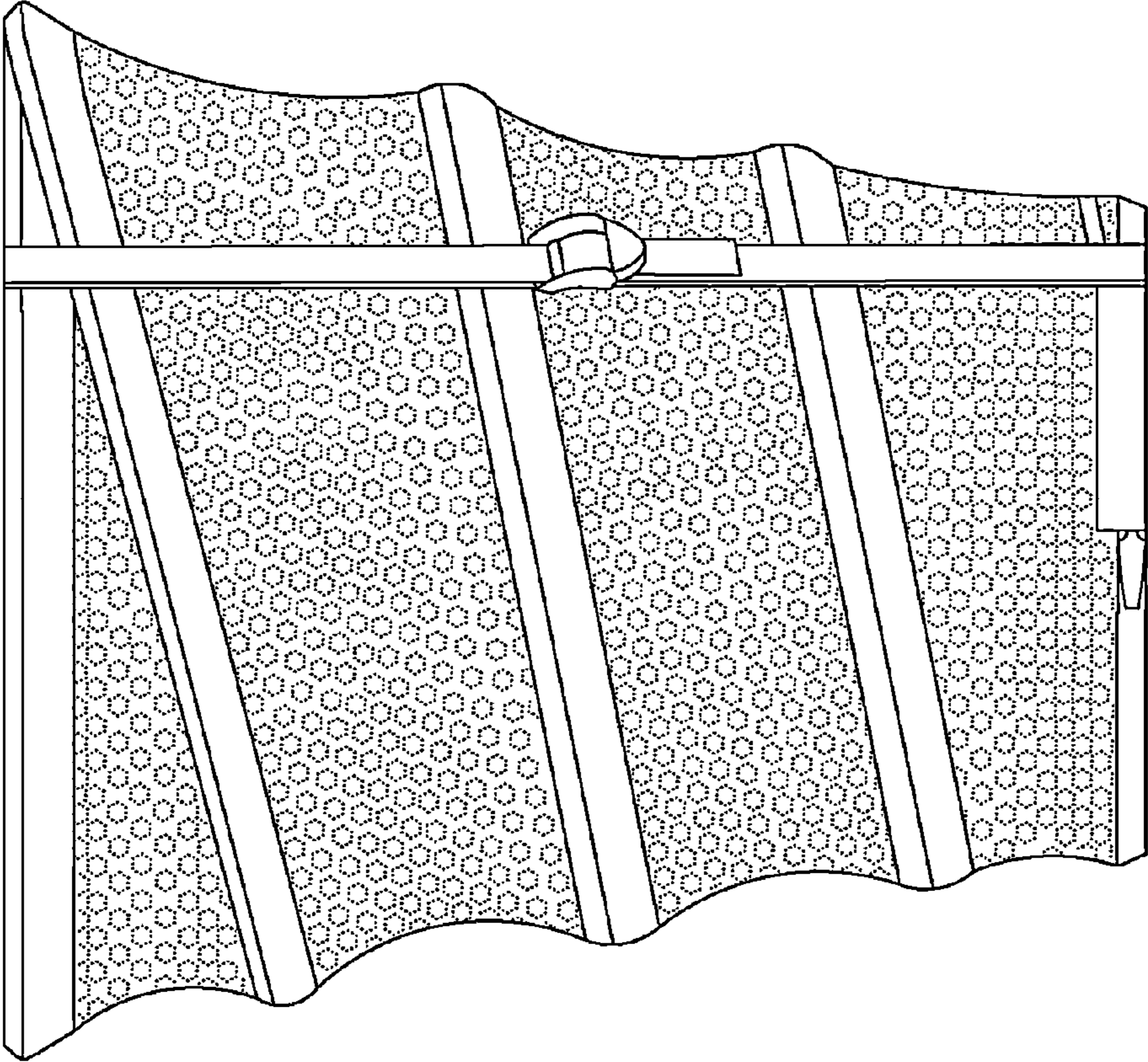


FIG. 4

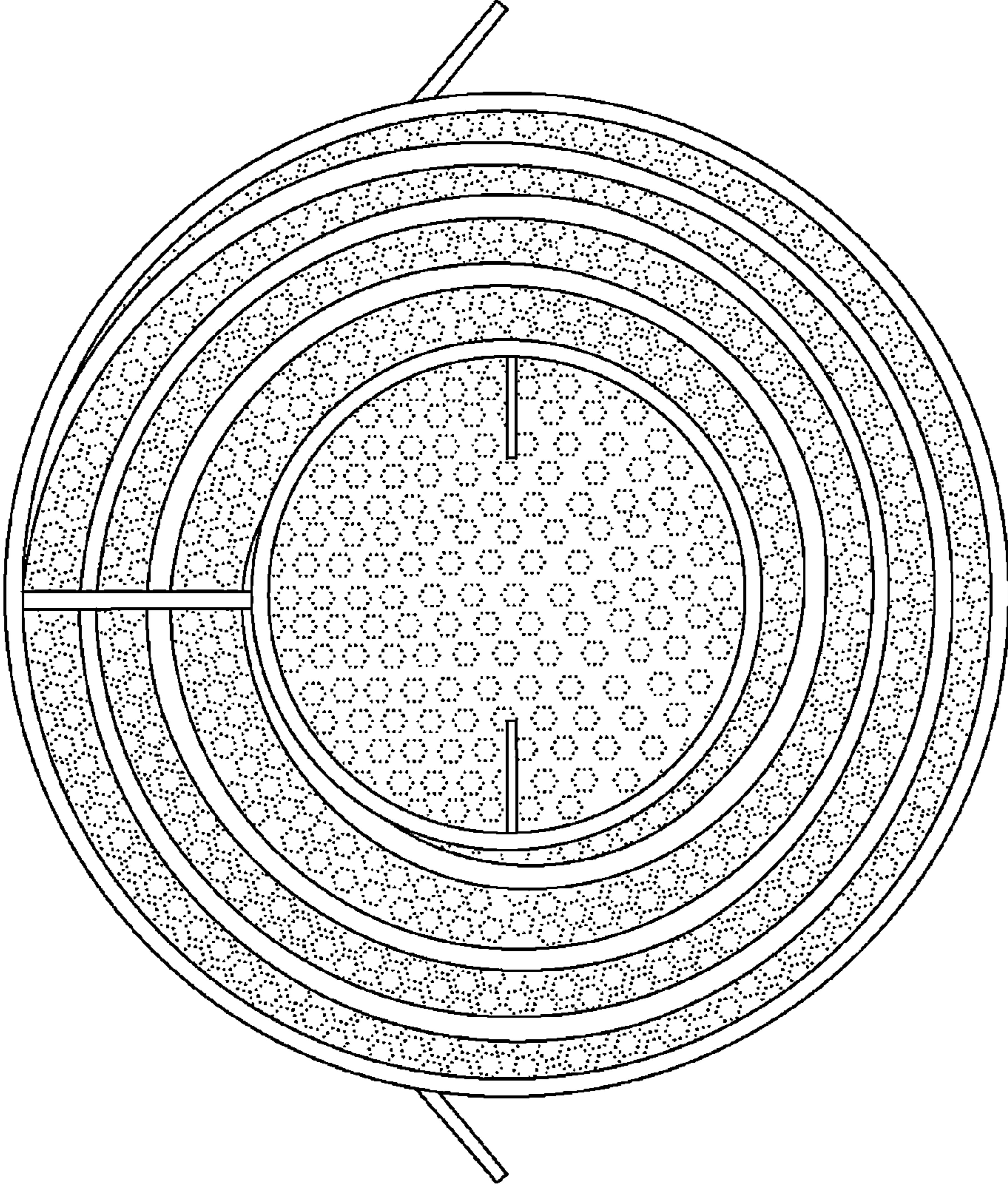


FIG. 5

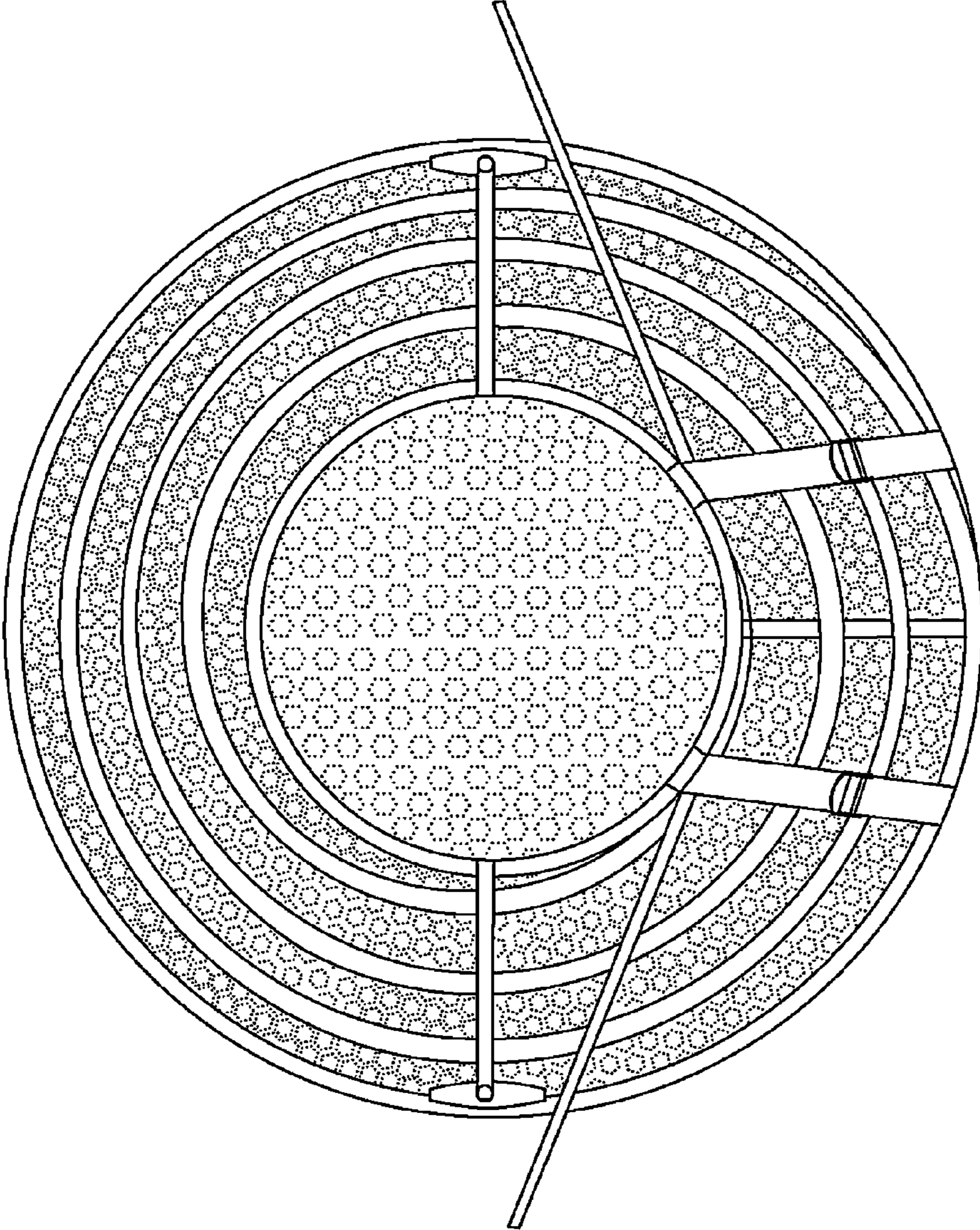


FIG. 6

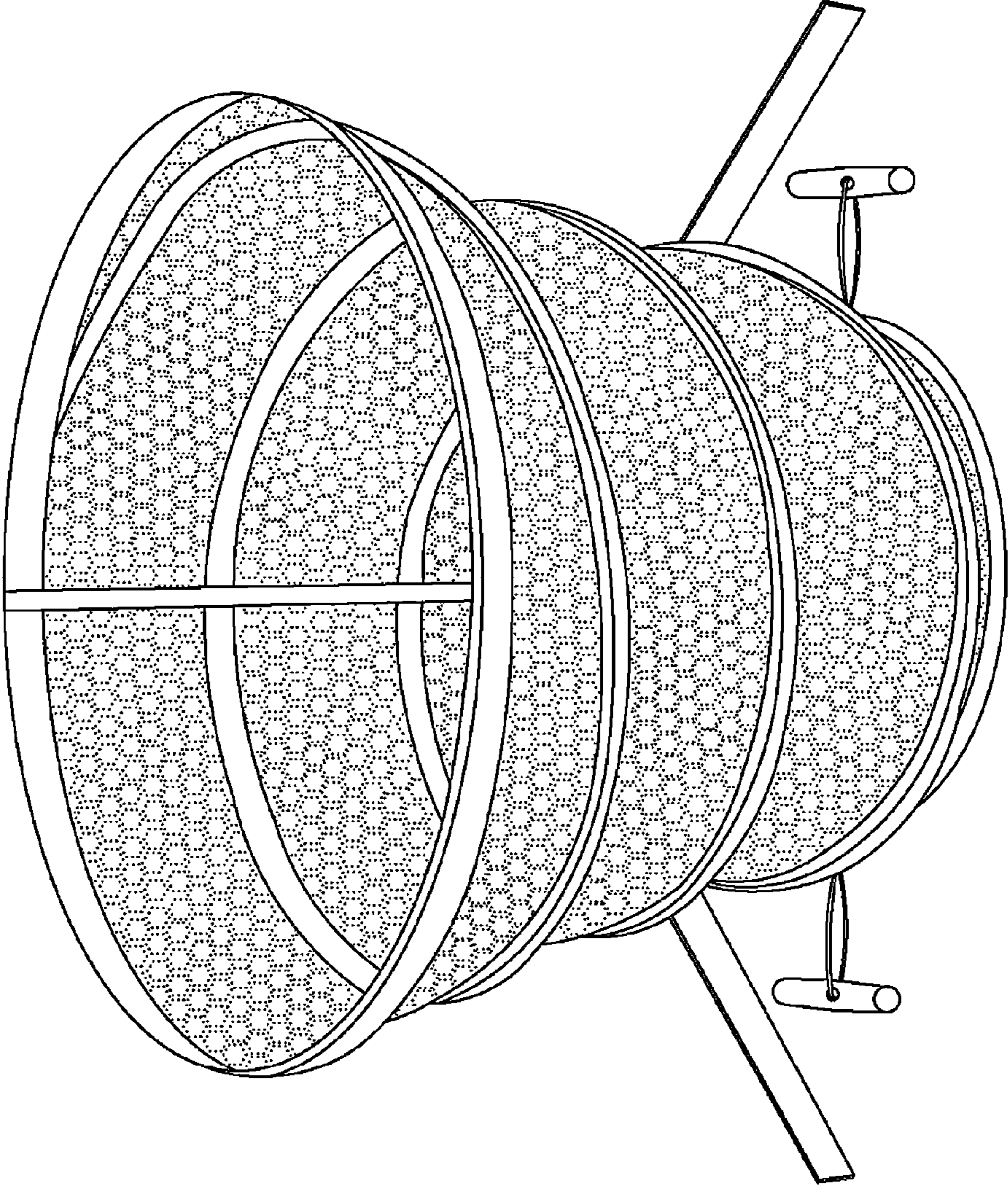


FIG. 7