



US00D702040S

(12) **United States Design Patent**
Bozzi

(10) **Patent No.:** **US D702,040 S**

(45) **Date of Patent:** **** Apr. 8, 2014**

(54) **BOX FOR DEFIBRILLATOR**

(71) Applicant: **Koninklijke Philips Electronics N.V.**,
Eindhoven (NL)

(72) Inventor: **Nathalie Mouls Bozzi**, Paris (FR)

(73) Assignee: **Koninklijke Philips N.V.**, Eindhoven
(NL)

(**) Term: **14 Years**

(21) Appl. No.: **29/454,999**

(22) Filed: **May 16, 2013**

(30) **Foreign Application Priority Data**

Nov. 16, 2012 (EM) 002137695-0001

(51) **LOC (10) Cl.** **03-01**

(52) **U.S. Cl.**
USPC **D3/203.1**

(58) **Field of Classification Search**
USPC D3/201-205; 206/528-540, 320; 607/5;
312/213; 128/205.25; D24/121,
D24/167-168; D6/512-513; D9/668

See application file for complete search history.

(56) **References Cited**

U.S. PATENT DOCUMENTS

6,609,026	B2 *	8/2003	Salvatori et al.	607/5
D500,202	S *	12/2004	Nova et al.	D3/203.6
D643,618	S *	8/2011	Guichet	D3/203.1
D668,037	S *	10/2012	London	D3/203.1
D679,904	S *	4/2013	Allan	D3/203.1
D680,005	S *	4/2013	Eble	D9/668

* cited by examiner

Primary Examiner — Catheri Oliver-Garcia

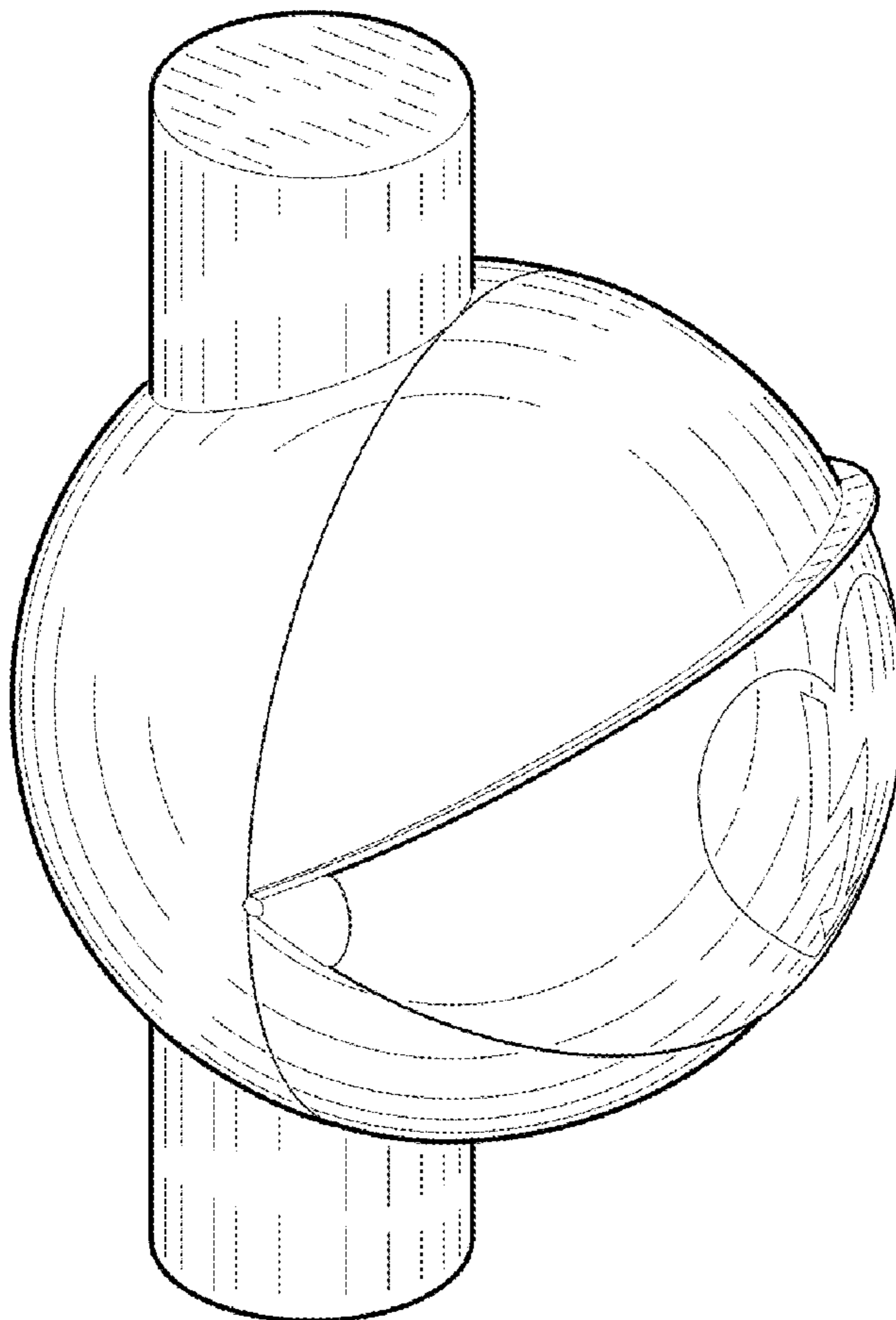
(57) **CLAIM**

The ornamental design for a box for defibrillator, as shown.

DESCRIPTION

FIG. 1 is a perspective view showing my design;
FIG. 2 is a front elevational view thereof;
FIG. 3 is a rear elevational view thereof;
FIG. 4 is a right side elevational view thereof;
FIG. 5 is a left side elevational view thereof;
FIG. 6 is a top plan view thereof; and,
FIG. 7 is a bottom plan view thereof.

1 Claim, 4 Drawing Sheets



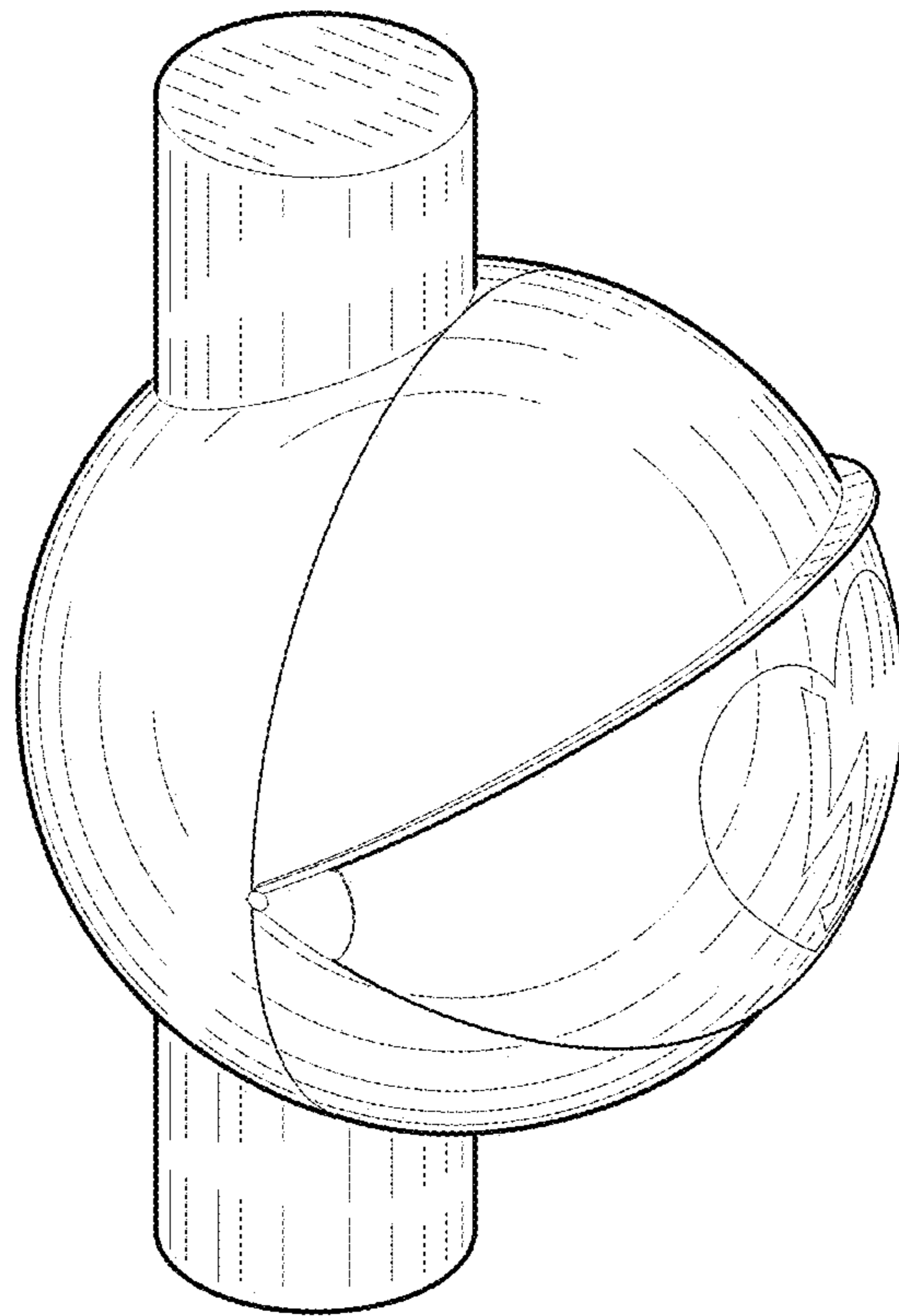


FIG. 1

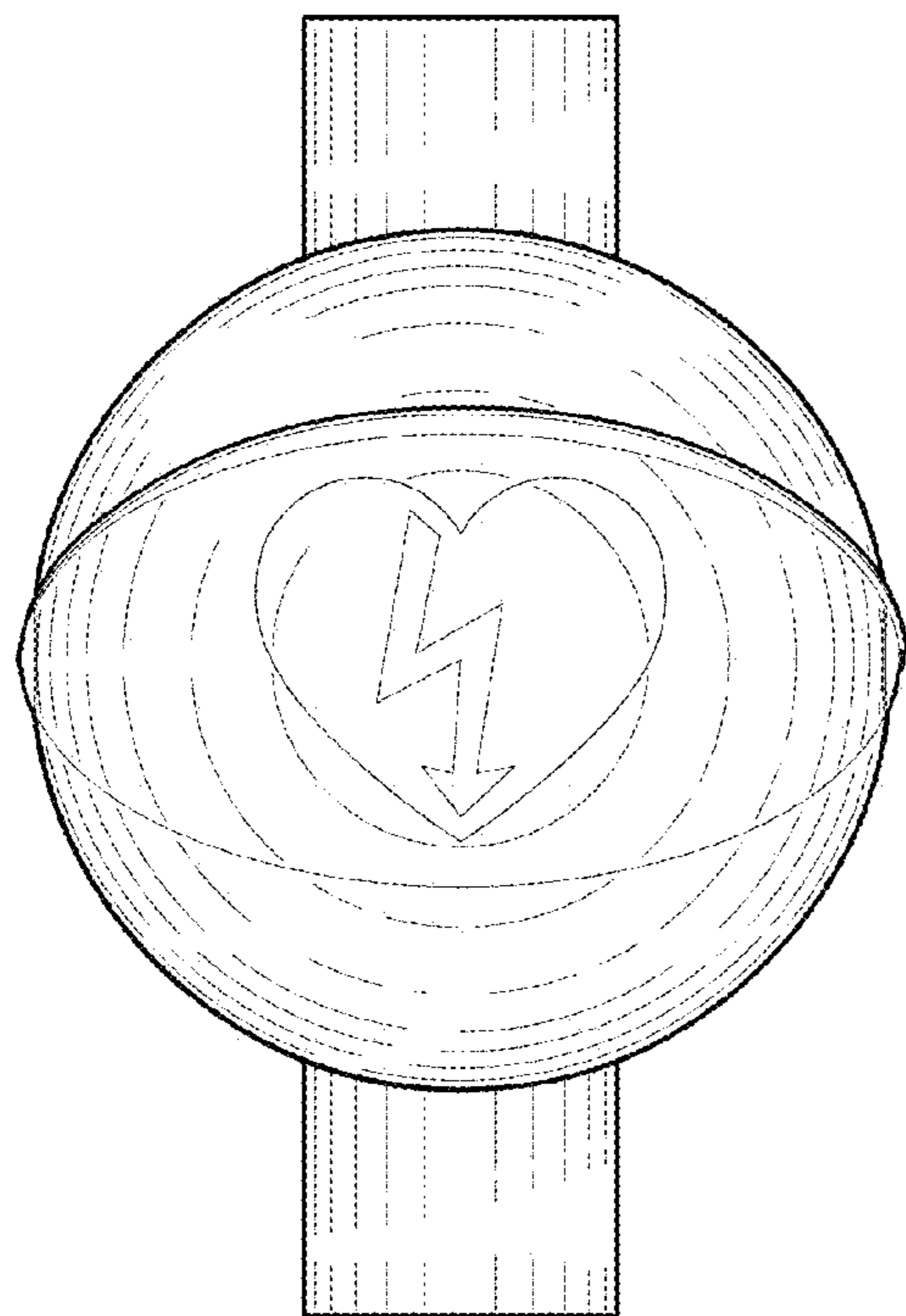


FIG. 2

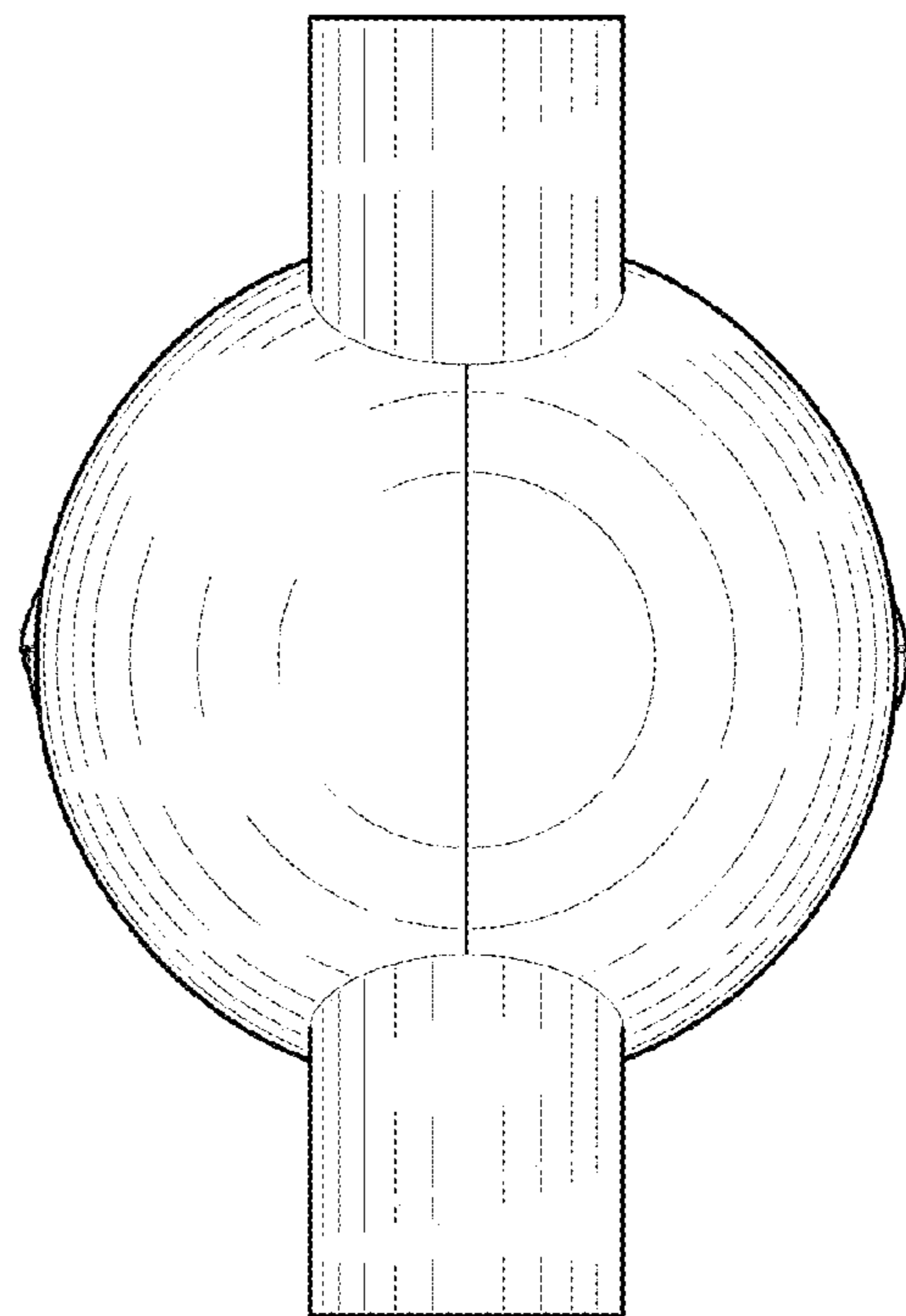


FIG. 3

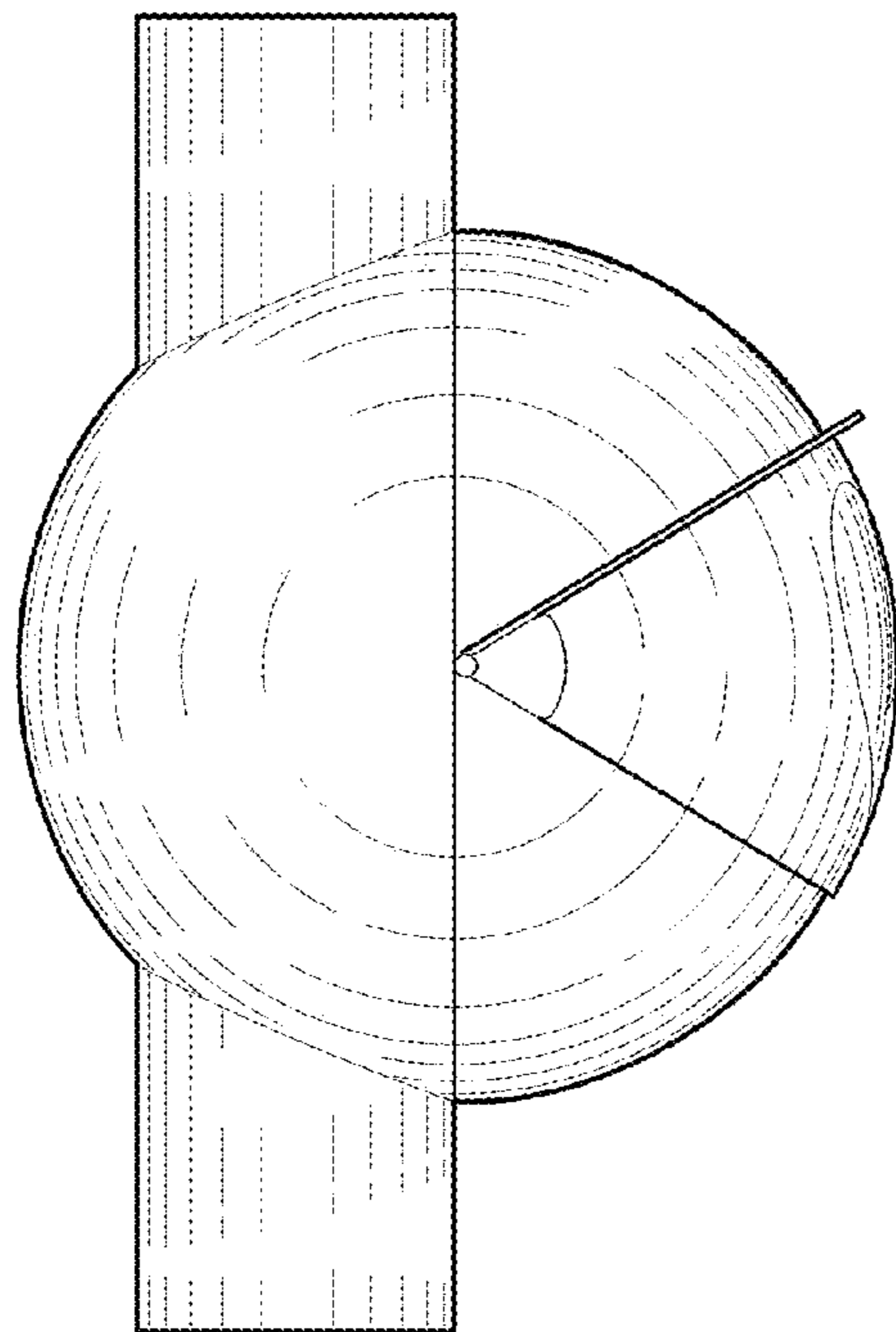


FIG. 4

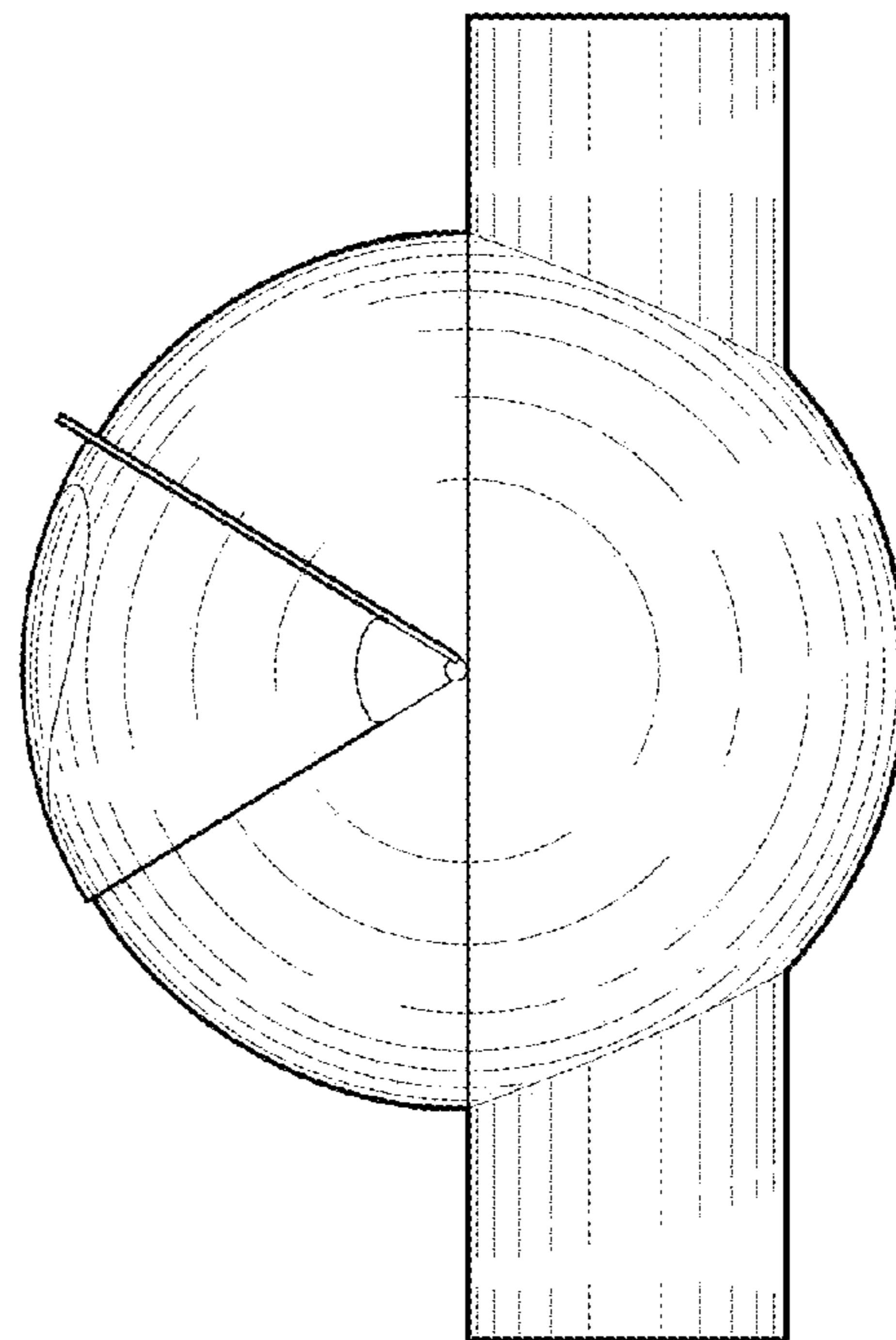


FIG. 5

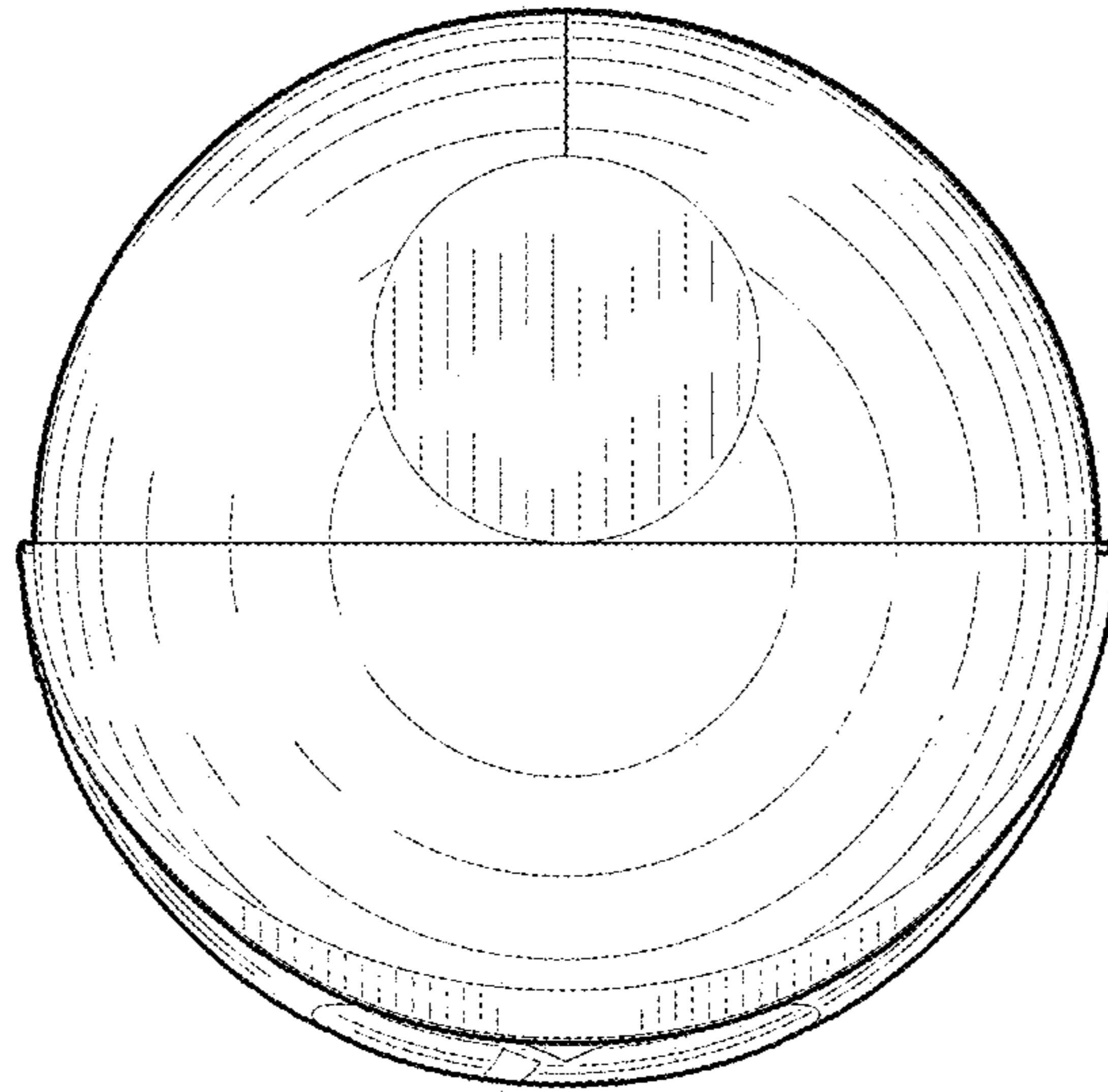


FIG. 6

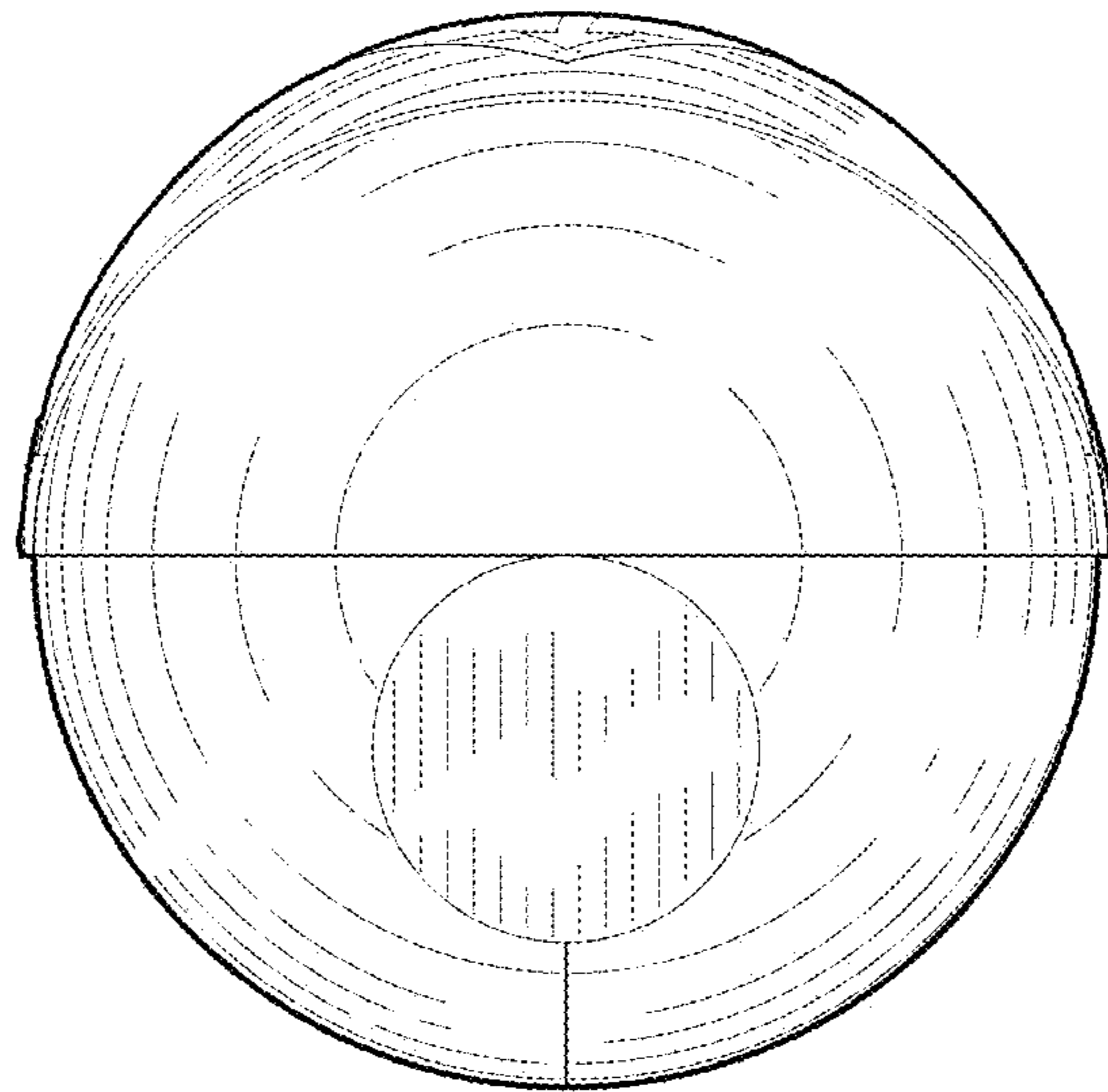


FIG. 7