



US00D702022S

(12) **United States Design Patent**
Wilson

(10) **Patent No.:** **US D702,022 S**
(45) **Date of Patent:** **** Apr. 8, 2014**

- (54) **TENNIS BALL NOVELTY HEADWEAR**
- (71) Applicant: **Gregg Wilson**, San Antonio, TX (US)
- (72) Inventor: **Gregg Wilson**, San Antonio, TX (US)
- (73) Assignee: **Wreckin' Ball Helmets, LLC**, Dallas, TX (US)
- (**) Term: **14 Years**
- (21) Appl. No.: **29/458,904**
- (22) Filed: **Jun. 24, 2013**

Related U.S. Application Data

- (63) Continuation-in-part of application No. 29/450,541, filed on Mar. 19, 2013, and a continuation-in-part of application No. 29/450,532, filed on Mar. 19, 2013, and a continuation-in-part of application No. 29/450,523, filed on Mar. 19, 2013, and a continuation-in-part of application No. 29/428,823, filed on Aug. 3, 2012, and a continuation-in-part of application No. 29/428,806, filed on Aug. 3, 2012, now Pat. No. Des. 686,395, and a continuation-in-part of application No. 29/428,787, filed on Aug. 3, 2012, now Pat. No. Des. 686,394.
- (51) **LOC (10) Cl.** **02-03**
- (52) **U.S. Cl.**
USPC **D2/870**
- (58) **Field of Classification Search**
USPC D2/865, 866, 868, 869, 870, 871, 872, D2/873, 874, 878, 879, 880, 881, 882, 886, D2/887, 888, 889, 890; D11/121, 125; D21/708; D29/102, 103, 104, 105, D29/106, 107, 108, 109, 110; 2/68, 171, 2/410, 411, 425

See application file for complete search history.

(56) **References Cited**

U.S. PATENT DOCUMENTS

1,115,354 A * 10/1914 Waring 2/175.9
(Continued)

FOREIGN PATENT DOCUMENTS

BX 25982-001 * 10/1995
DE M9804865-0003 * 2/1999

(Continued)

OTHER PUBLICATIONS

Tennis ball Vespa helmet by Igor Mitin [on-line]; posted to the Internet on Nov. 30, 2011; retrieved from the Internet on Sep. 3, 2013; URL: >http://www.trendhunter.com/trends/helmet-experiments-by-igor-mitin<. (3 pages).*

Primary Examiner — Karen E Eldridge Powers
(74) *Attorney, Agent, or Firm* — Gunn, Lee & Cave, P.C.; Robert L. McRae

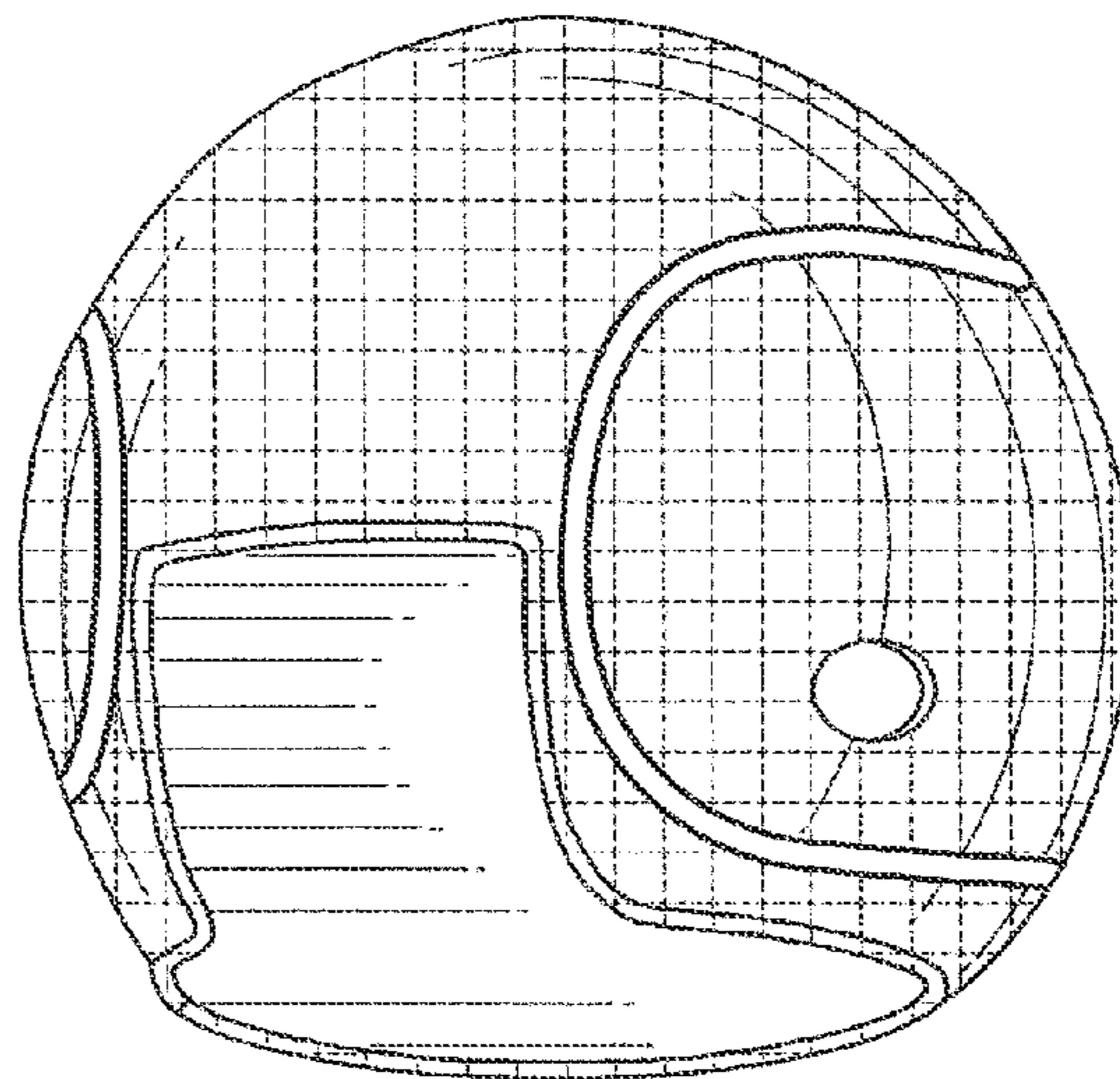
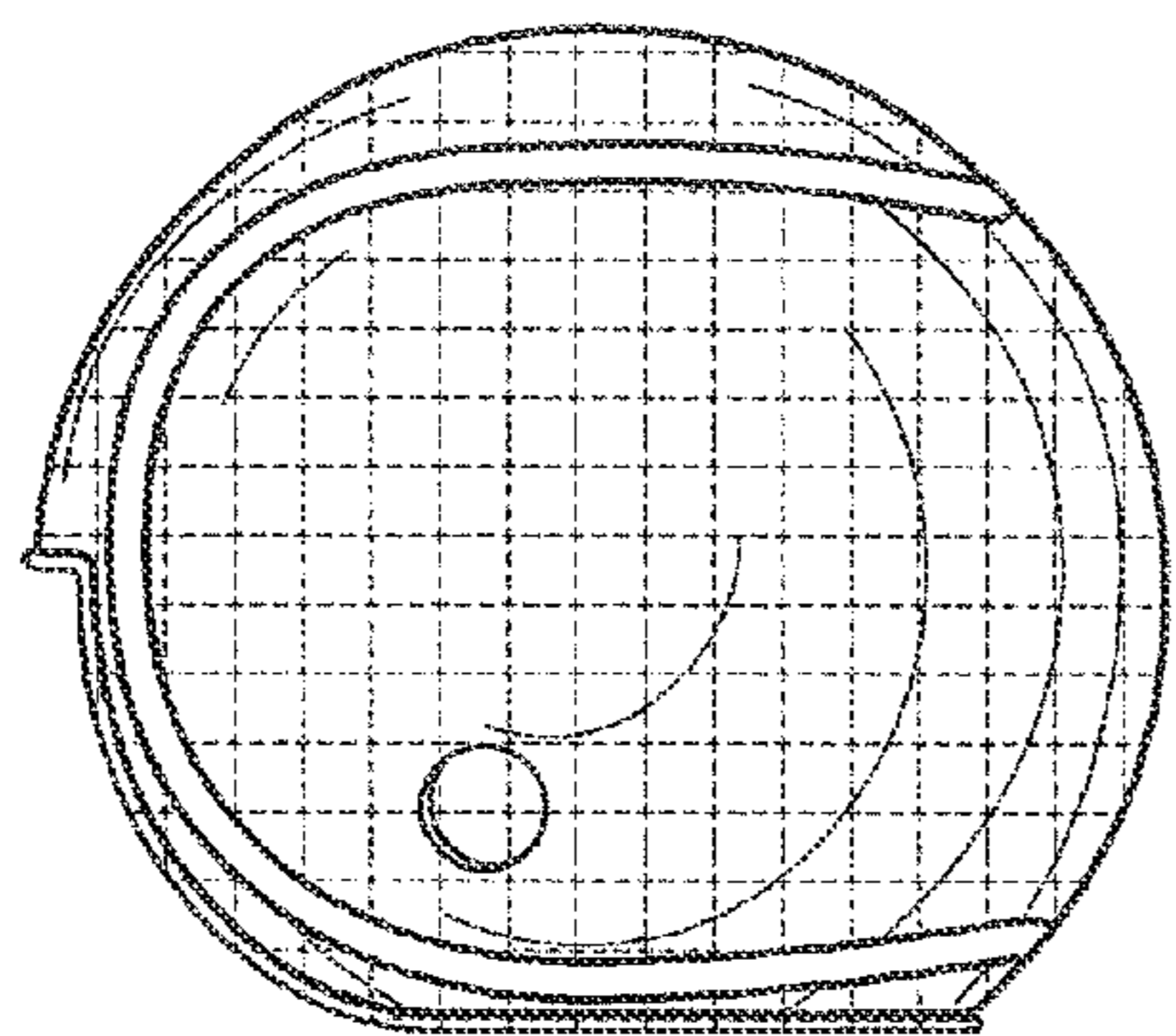
(57) **CLAIM**

I claim the ornamental design for a tennis ball novelty headwear, as shown and described.

DESCRIPTION

FIG. 1 is a front elevation view of the tennis ball novelty headwear showing my new design; FIG. 2 is a top plan view, thereof; FIG. 3 is a left side elevation view, thereof; FIG. 4 is another left side elevation view, thereof; FIG. 5 is a rear elevation view, thereof; FIG. 6 is a bottom plan view thereof; and, FIG. 7 is a front perspective view, thereof. The human head shown in broken lines in FIG. 3 forms no part of the claimed design and is included to illustrate the environment in which the design is used and assists in showing how the claimed design appears when worn. The drawings are lined for the colors violet or grey.

1 Claim, 3 Drawing Sheets



(56)

References Cited

U.S. PATENT DOCUMENTS

D56,123 S * 8/1920 Forbes D2/867
 3,259,912 A * 7/1966 Lima et al. 2/68
 D340,074 S * 10/1993 Turner D19/82
 5,343,569 A * 9/1994 Asare et al. 2/412
 D357,386 S * 4/1995 Jones D7/606
 5,410,760 A * 5/1995 Zumbiel 2/195.1
 D368,327 S * 3/1996 Dunn D28/67
 D369,015 S * 4/1996 Griffin, Jr. D2/869
 D405,155 S * 2/1999 Zaharia et al. D22/146
 D420,552 S * 2/2000 Hansen D7/606
 D432,862 S * 10/2000 Cragg D7/402
 D449,653 S * 10/2001 Curry D20/11
 D460,693 S * 7/2002 Flowers D9/519
 D546,405 S * 7/2007 Miller D21/713
 D563,147 S * 3/2008 Henry D7/334
 D594,700 S * 6/2009 Sax et al. D7/515
 D623,985 S * 9/2010 Scott et al. D11/157

D634,516 S * 3/2011 Wilson D2/870
 8,317,121 B2 * 11/2012 Tracey 242/398
 D672,533 S * 12/2012 Wilson D2/870
 D674,148 S * 1/2013 Brown D29/114
 D677,981 S * 3/2013 Levin D7/392
 D683,108 S * 5/2013 Wilson D2/870
 D686,394 S * 7/2013 Wilson D2/870
 D686,395 S * 7/2013 Wilson D2/870
 D688,041 S * 8/2013 Kroupa D3/264

FOREIGN PATENT DOCUMENTS

EM 000736087-0008 * 8/2007
 EM 001289623-0001 * 2/2012
 FR 961316-045 * 8/1996
 FR 976012-001 * 2/1998
 FR 2012938-003 * 8/2012
 WO WO D006391-001 * 3/1986

* cited by examiner

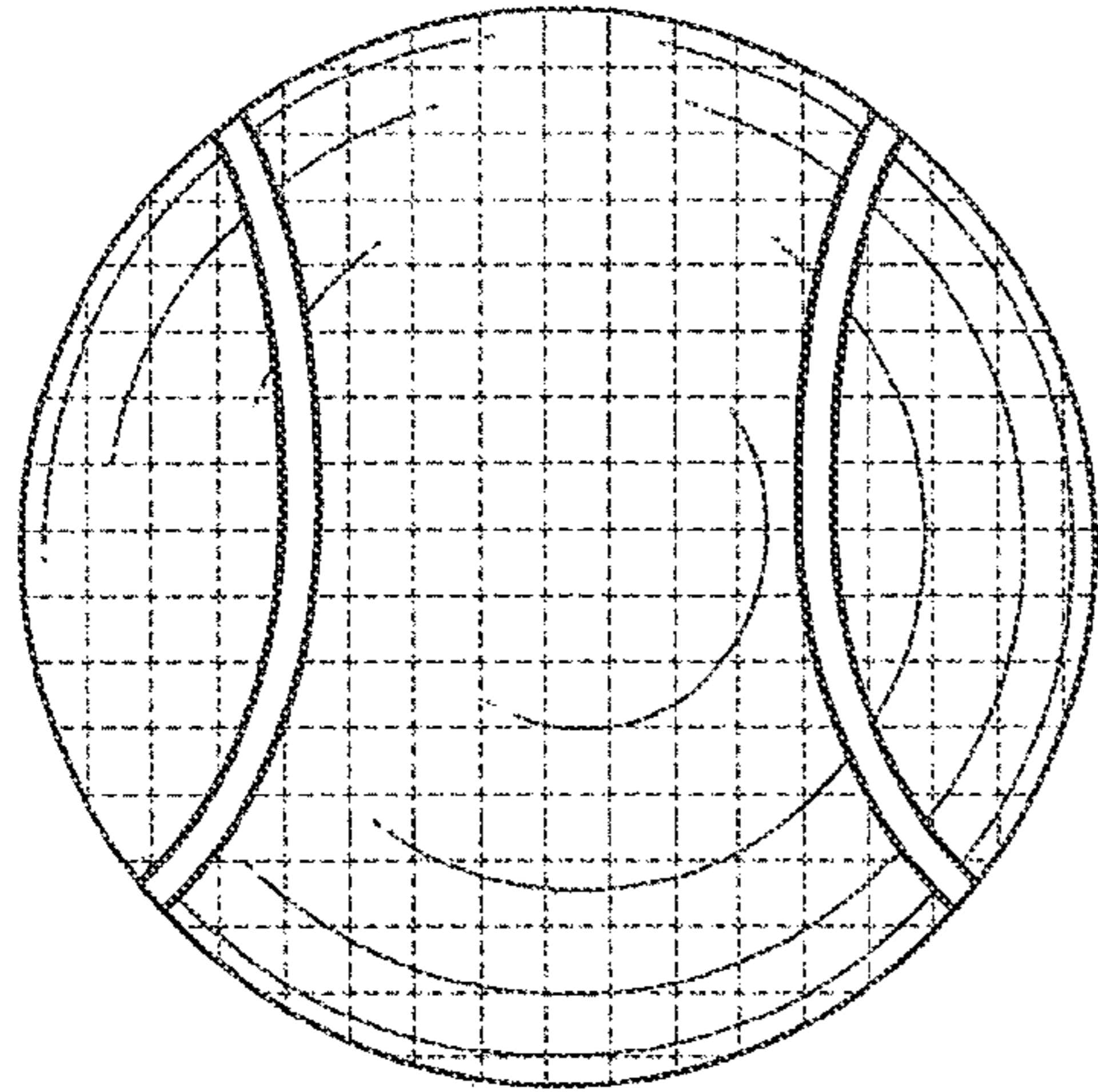


Fig. 2

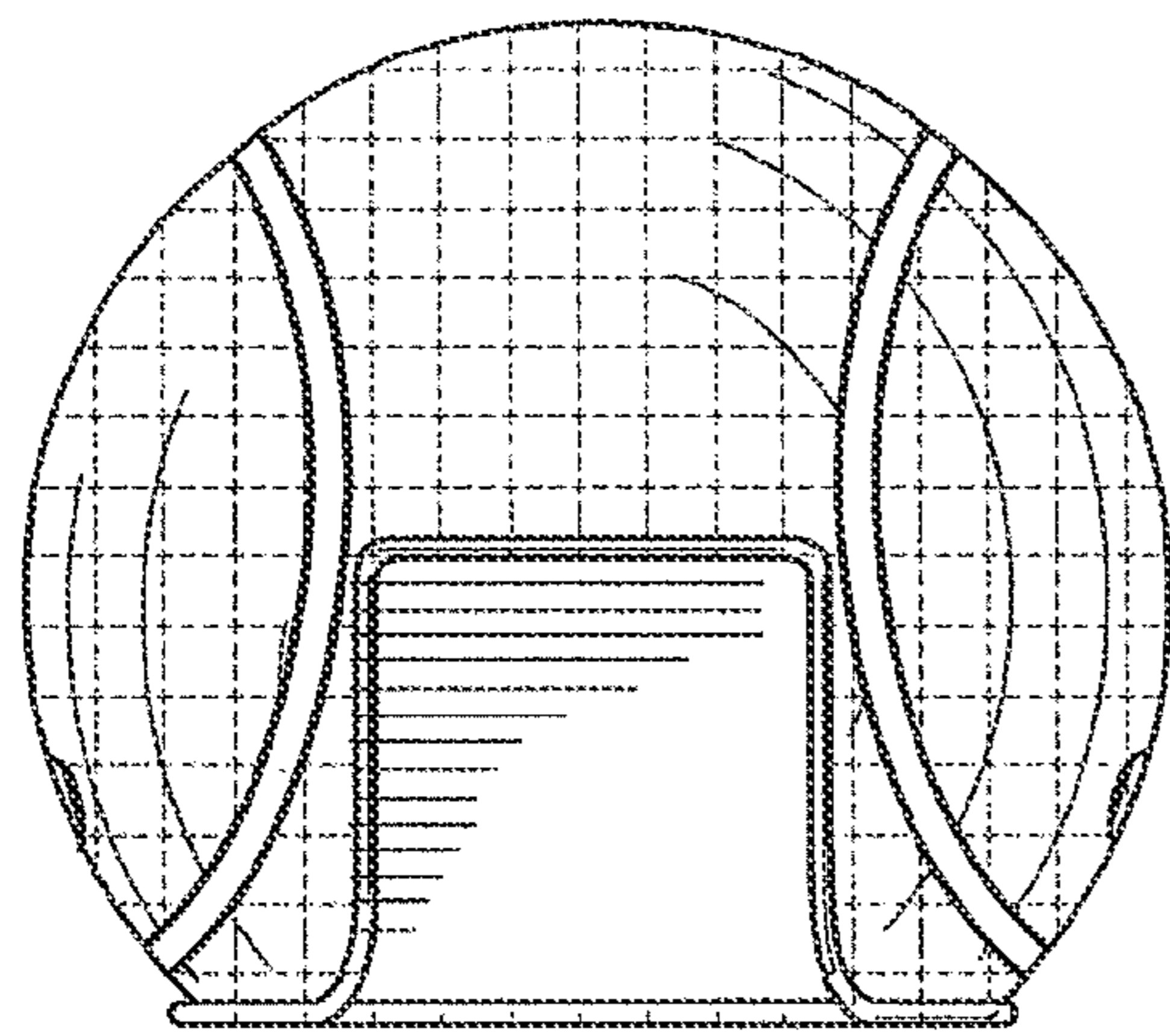


Fig. 1

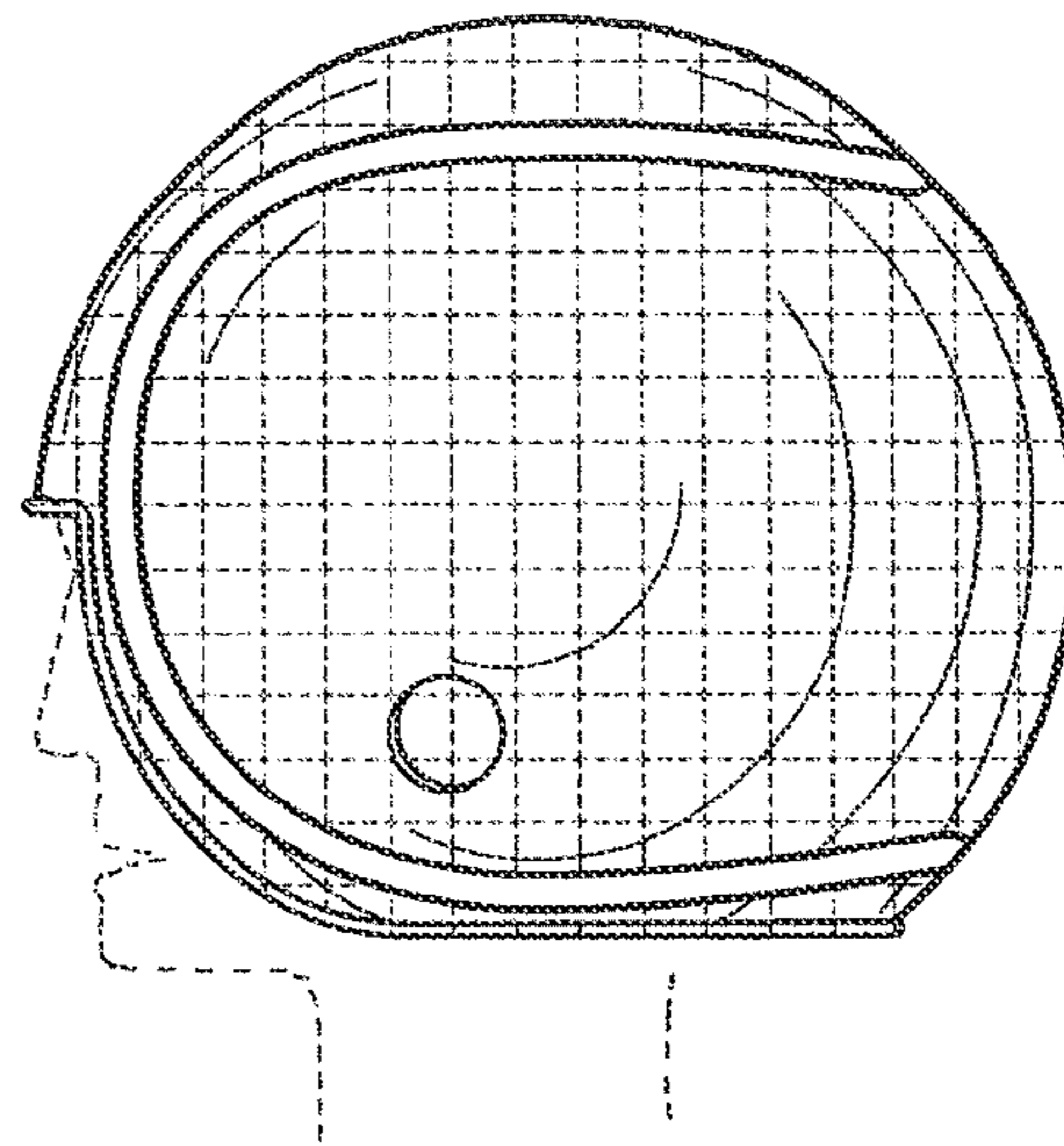


Fig. 3

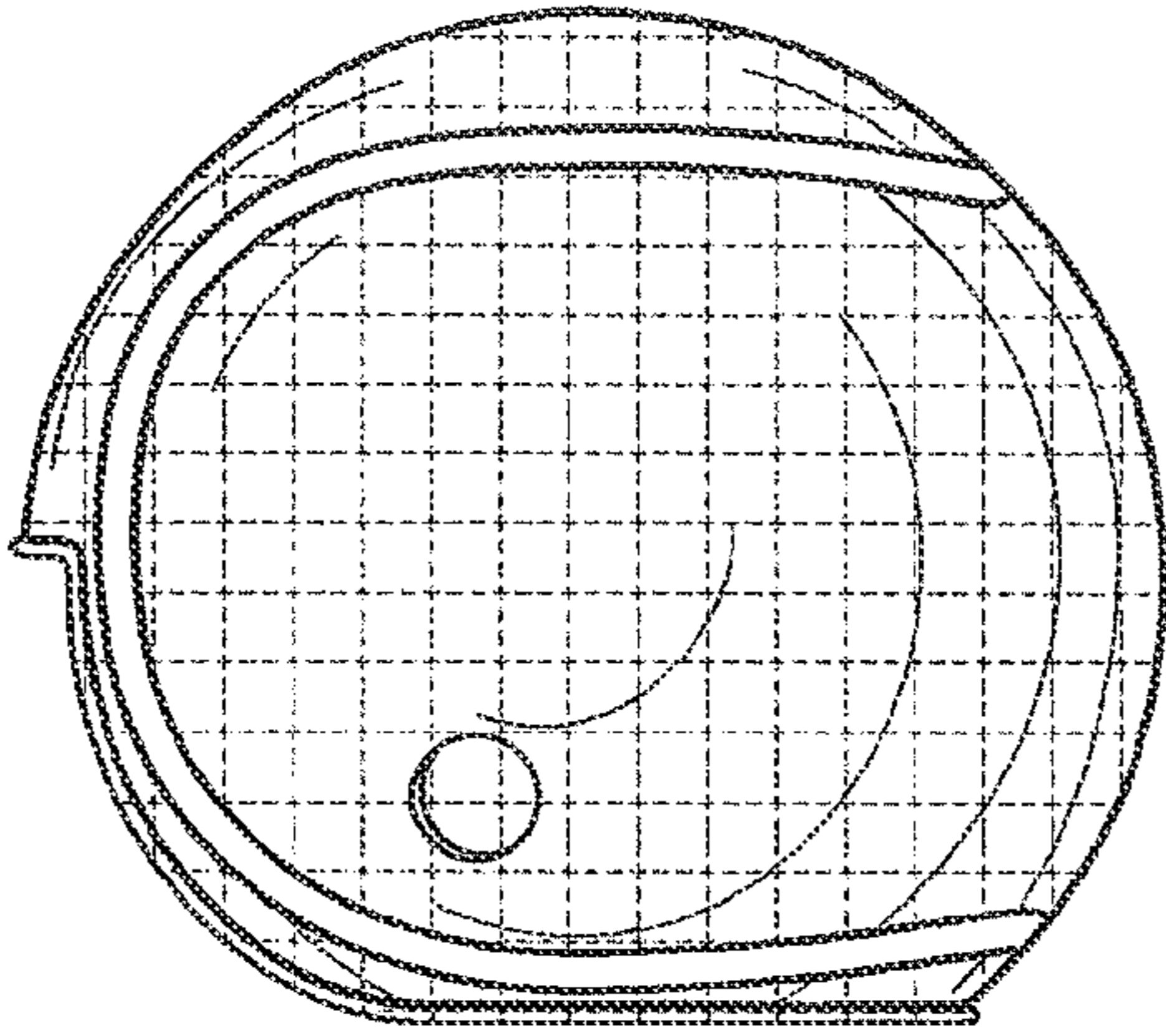


Fig. 4

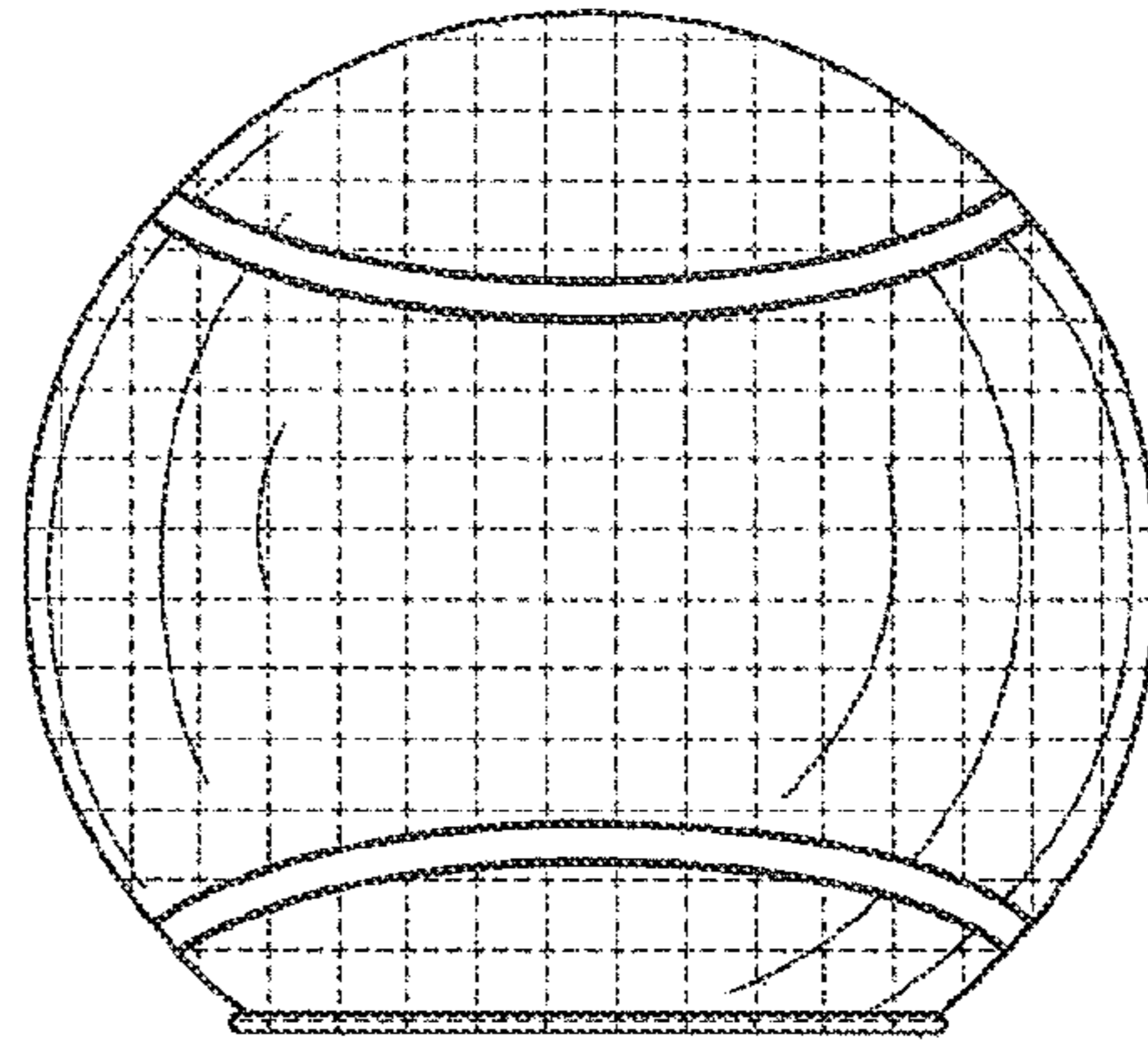


Fig. 5

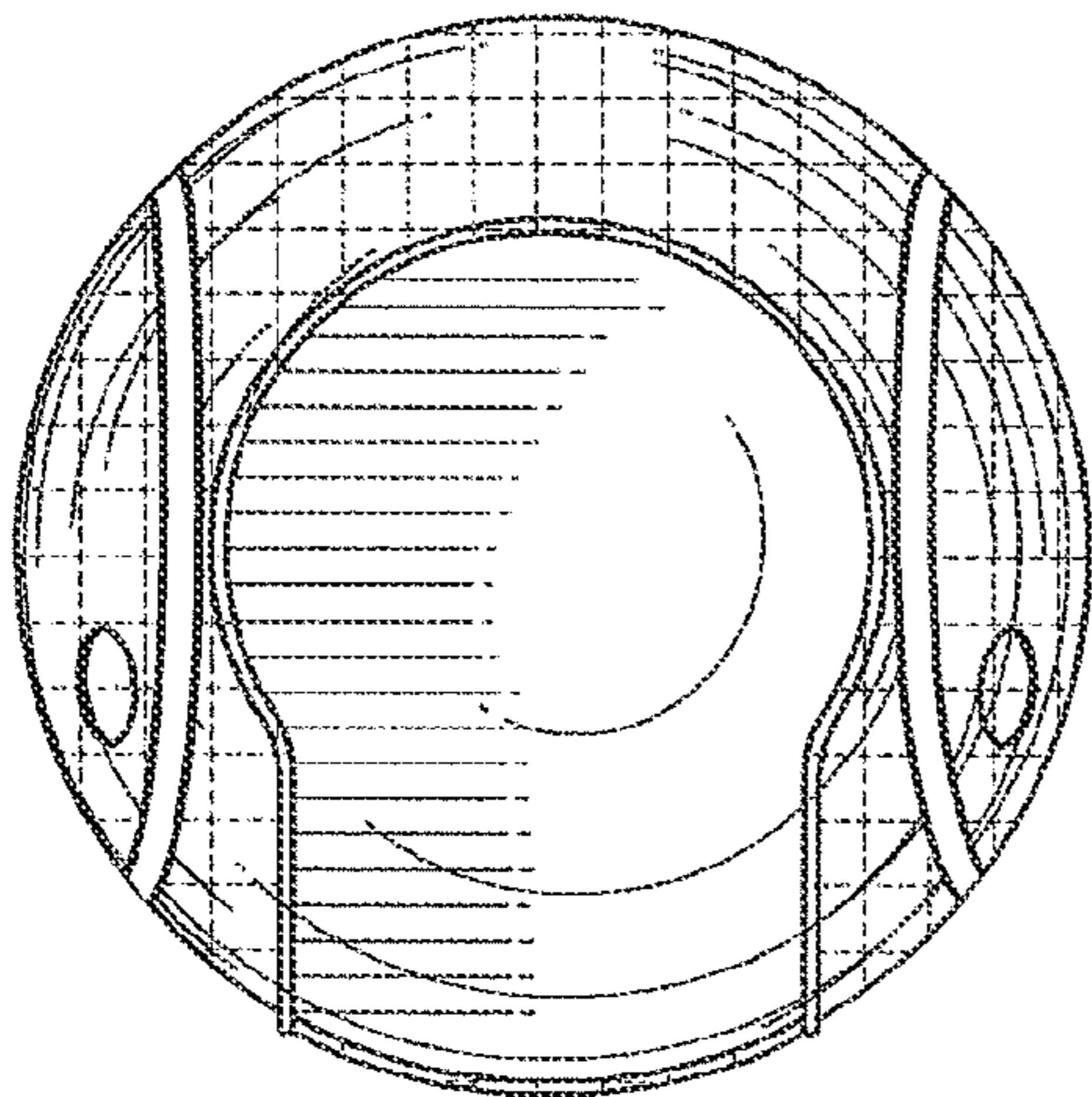


Fig. 6

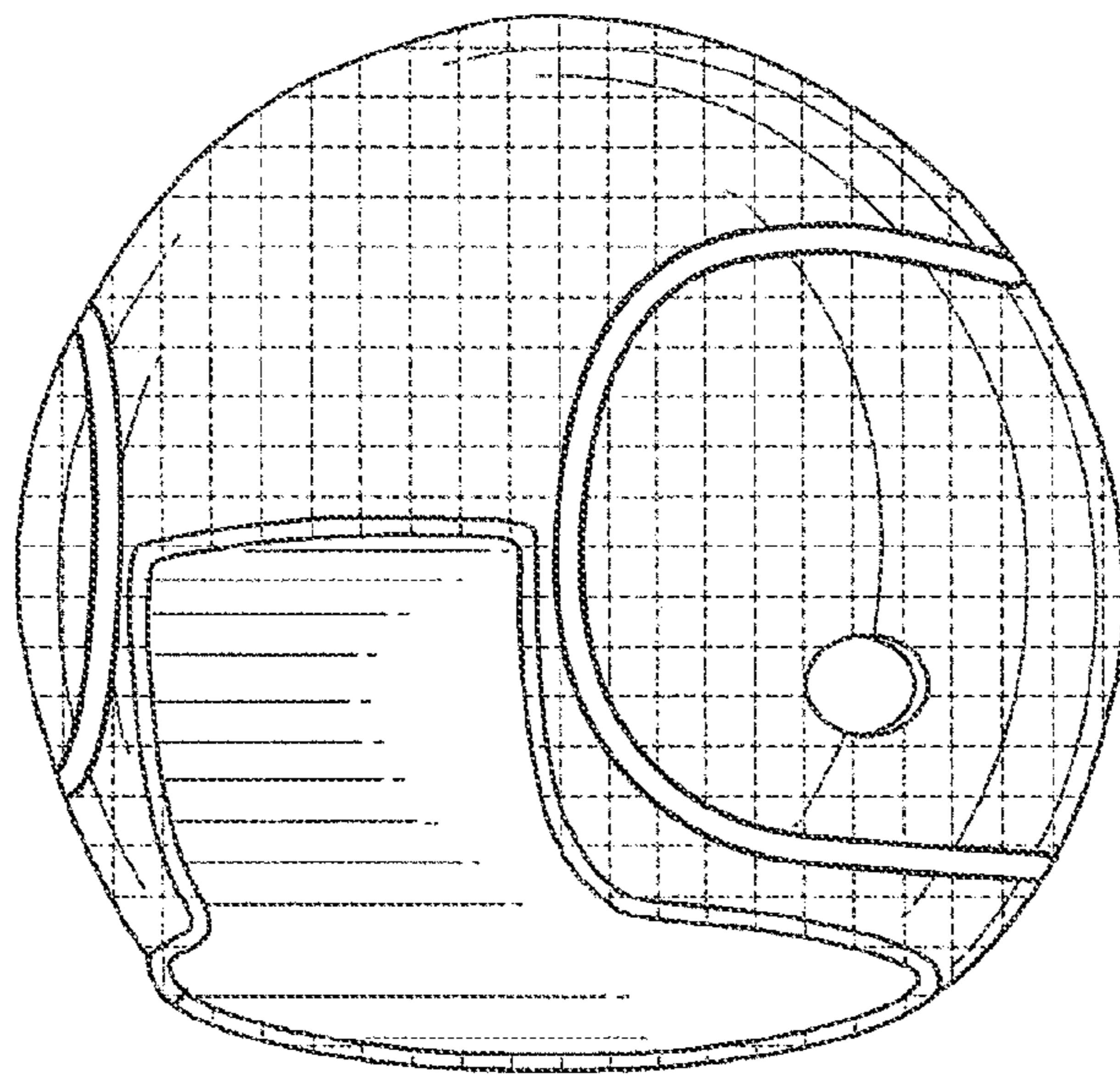


Fig. 7