



US00D702018S

(12) **United States Design Patent**  
**Ferraro**

(10) **Patent No.:** **US D702,018 S**  
(45) **Date of Patent:** **\*\* Apr. 8, 2014**

(54) **POCKETED UNDERGARMENT**

- (71) Applicant: **Anthony Ferraro**, Orange, CA (US)
- (72) Inventor: **Anthony Ferraro**, Orange, CA (US)
- (73) Assignee: **Anthony Ferraro**, Fullerton, CA (US)
- (\*\*) Term: **14 Years**

(21) Appl. No.: **29/439,826**

(22) Filed: **Dec. 14, 2012**

(51) **LOC (10) Cl.** ..... **02-01**

(52) **U.S. Cl.**  
USPC ..... **D2/712**

(58) **Field of Classification Search**  
USPC ..... D2/712, 713, 714, 715, 716, 731, 736,  
D2/737, 738, 739, 857; 2/67, 78.1, 78.2,  
2/78.3, 78.4, 228, 234, 235, 236, 237,  
2/238, 247, 401, 402, 403, 404, 405, 406,  
2/407, 408; 602/67

See application file for complete search history.

(56) **References Cited**

**U.S. PATENT DOCUMENTS**

|              |      |         |                  |         |
|--------------|------|---------|------------------|---------|
| 324,286      | A *  | 8/1885  | Witkowsky        | 2/79    |
| D294,651     | S *  | 3/1988  | Ferre            | D2/857  |
| 5,172,430    | A *  | 12/1992 | Lerma-Solis      | 2/400   |
| D424,196     | S *  | 5/2000  | Harwell et al.   | D24/128 |
| D489,164     | S *  | 5/2004  | Isom             | D2/857  |
| D553,826     | S *  | 10/2007 | Austin           | D2/716  |
| D559,501     | S *  | 1/2008  | Austin           | D2/716  |
| 7,849,518    | B2 * | 12/2010 | Moore et al.     | 2/67    |
| 7,958,571    | B2 * | 6/2011  | Kitsch et al.    | 2/403   |
| 8,146,176    | B2 * | 4/2012  | Rudolph          | 2/227   |
| D692,208     | S *  | 10/2013 | LaCour-Phillippi | D2/712  |
| 8,601,616    | B2 * | 12/2013 | Radford et al.   | 2/403   |
| 2005/0204458 | A1 * | 9/2005  | Wong             | 2/466   |
| 2009/0038046 | A1 * | 2/2009  | Moore et al.     | 2/67    |
| 2012/0053553 | A1 * | 3/2012  | Griggs           | 604/396 |

**OTHER PUBLICATIONS**

Under Johnnies disposable boxer shorts with pockets [on-line]; available on the Internet at least as early as Sep. 9, 2013; retrieved from the Internet on Dec. 12, 2013. URL: >http://web.archive.org/web/20130909161529/http://kavamd.com/UJ.htm<. (1 page).\*

Performance 2.0 (pre-order) mid-length athletic under shorts [on-line]; retrieved from the Internet on Dec. 15, 2013. URL: >http://www.swavapparel.com/index.php?route=product/product&path=69&product\_id=50<. (3 pages).\*

\* cited by examiner

*Primary Examiner* — Karen E Eldridge Powers

(74) *Attorney, Agent, or Firm* — Michael Shimokaji

(57) **CLAIM**

The ornamental design for a pocketed undergarment, as shown and described.

**DESCRIPTION**

FIG. 1 is a front elevation view of the pocketed undergarment in use;

FIG. 2 is a side elevation view of the pocketed undergarment thereof;

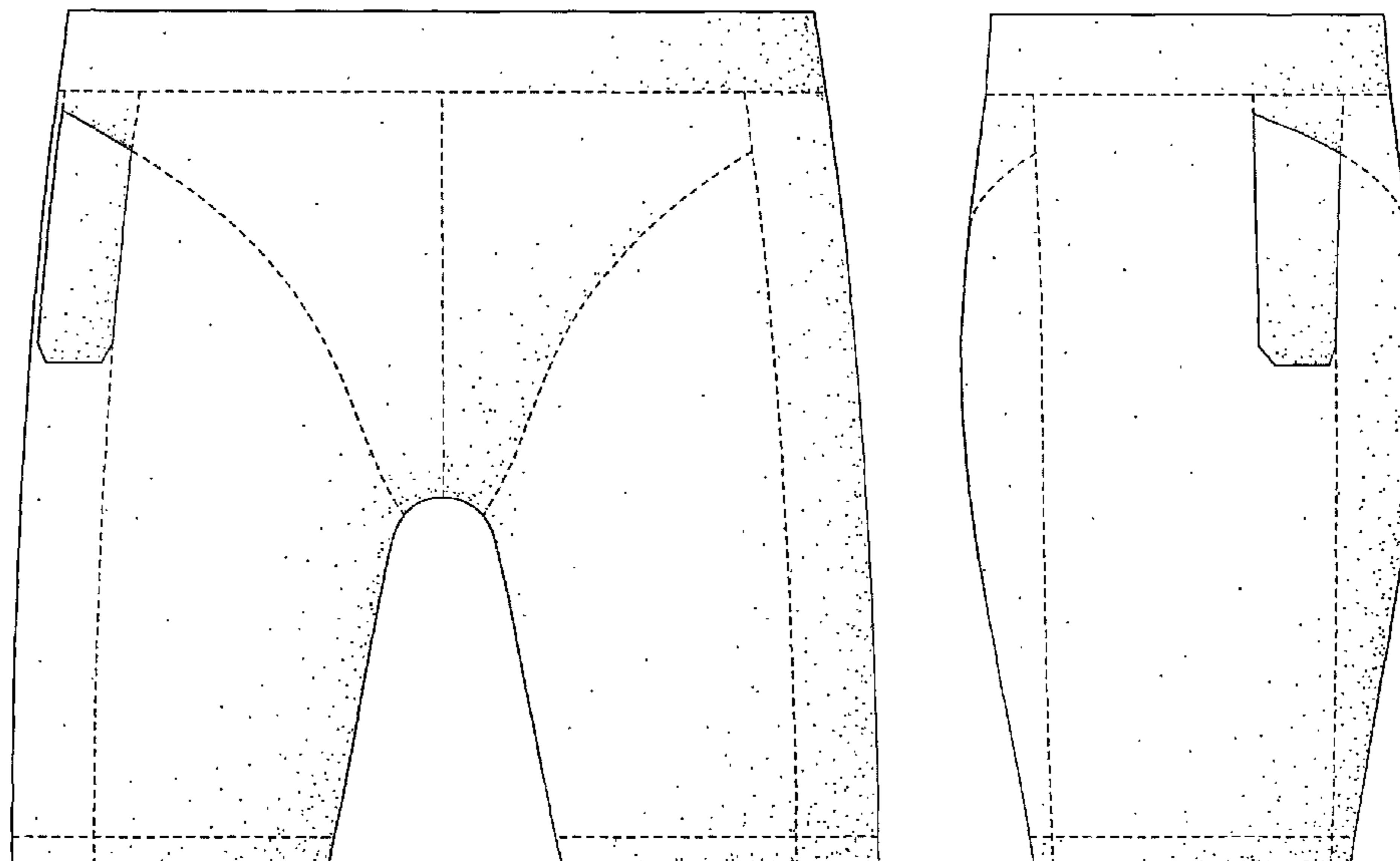
FIG. 3 is a front/side perspective view of the pocketed undergarment thereof;

FIG. 4 is a rear elevation view of the pocketed undergarment thereof; and,

FIG. 5 is a further front elevation view of the pocketed undergarment thereof.

The broken lines shown on the pocketed undergarment are stitch lines and form a part of the claimed design. The portable electronic device shown in broken lines in FIG. 5 is environmental subject matter that forms no part of the claimed design.

**1 Claim, 5 Drawing Sheets**



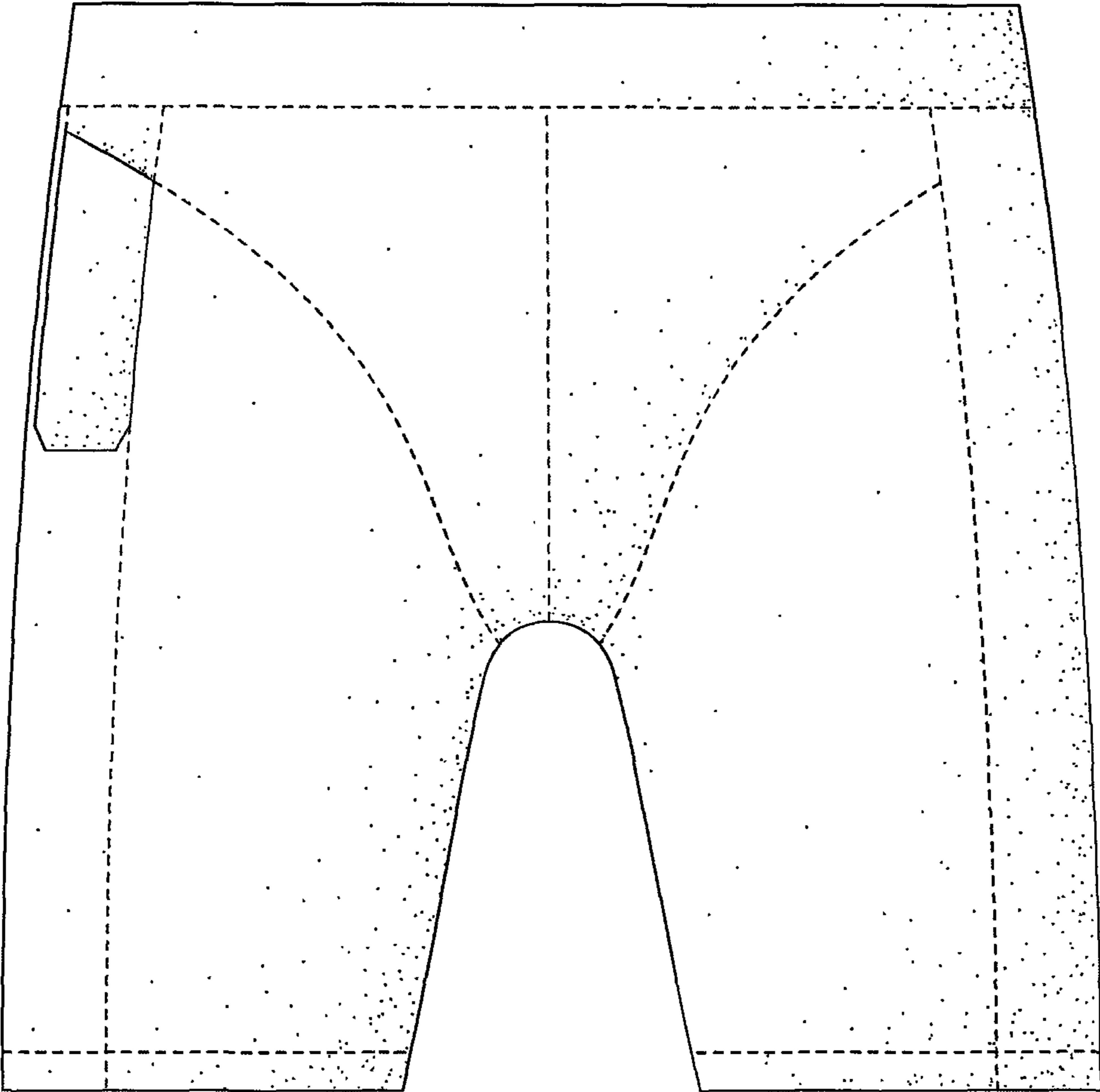


FIG. 1

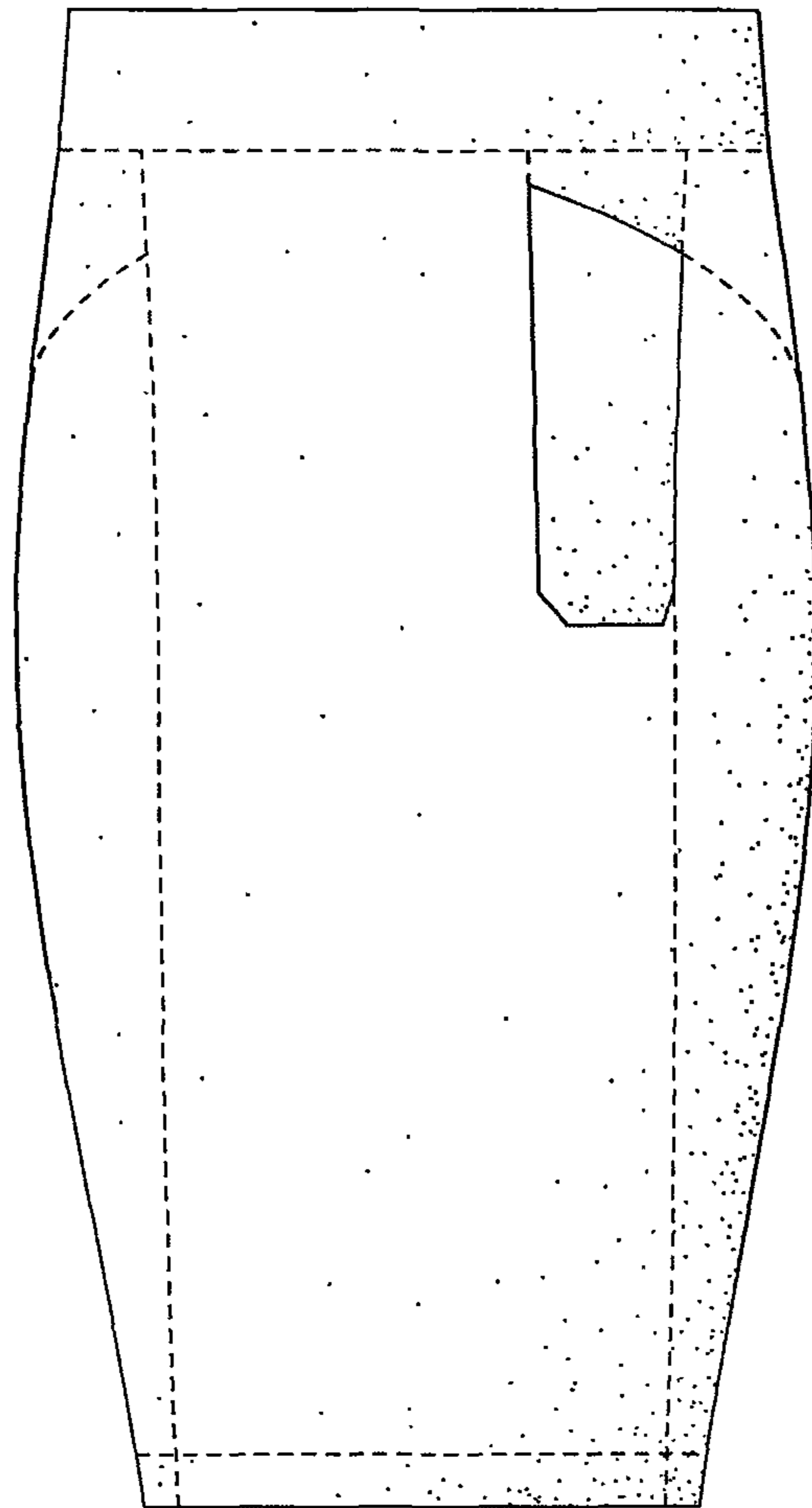


FIG. 2

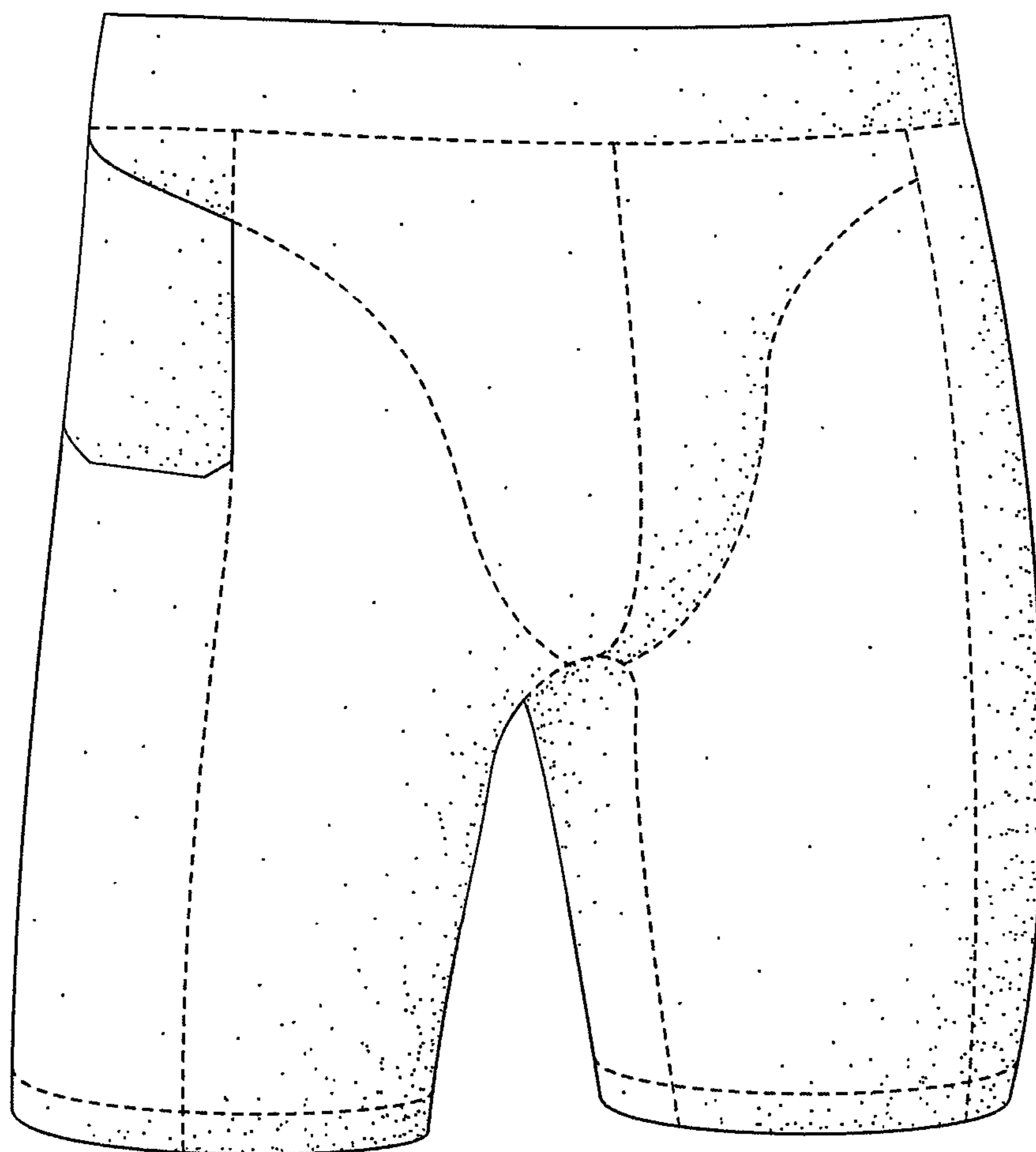


FIG. 3

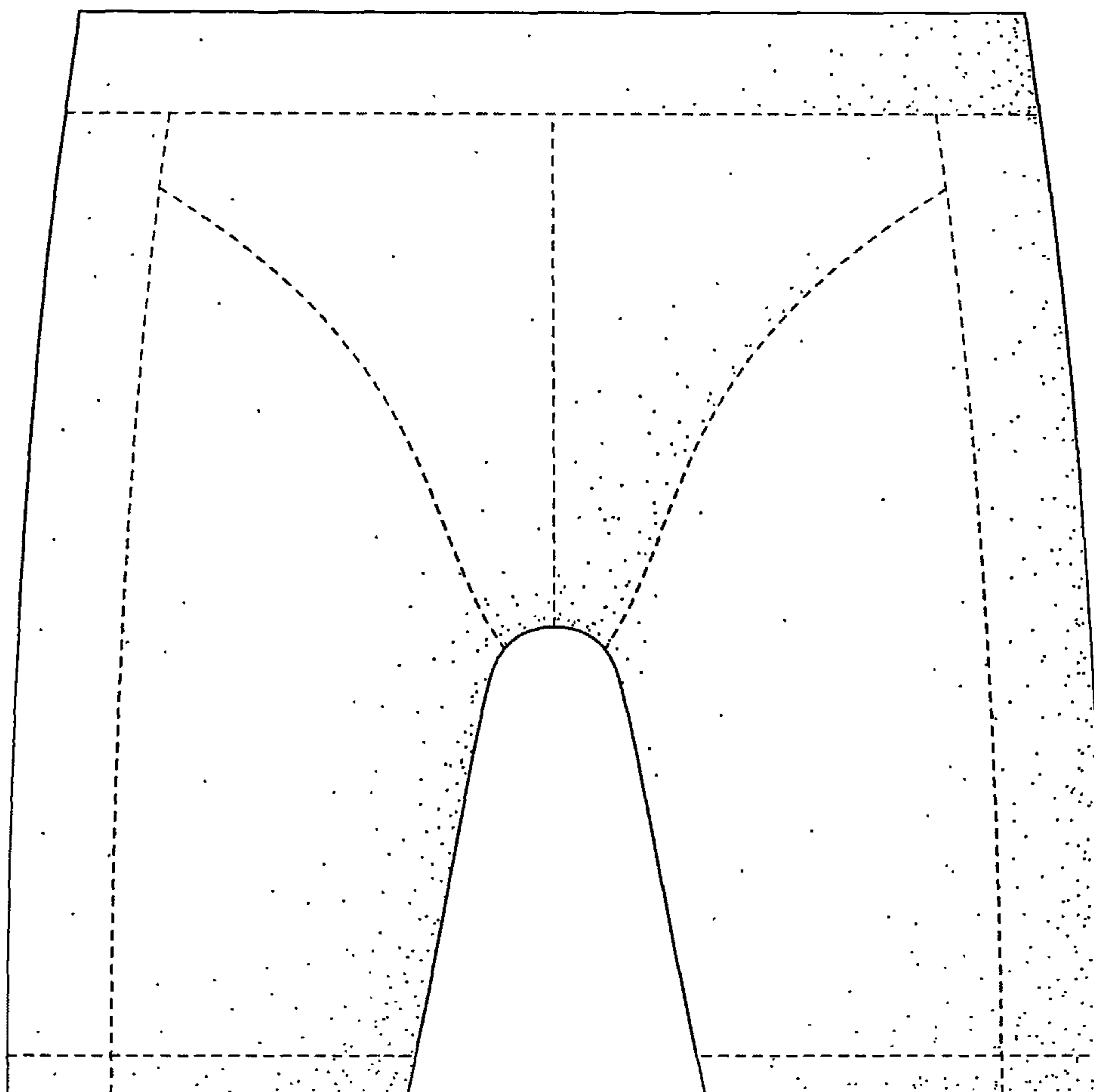


FIG. 4

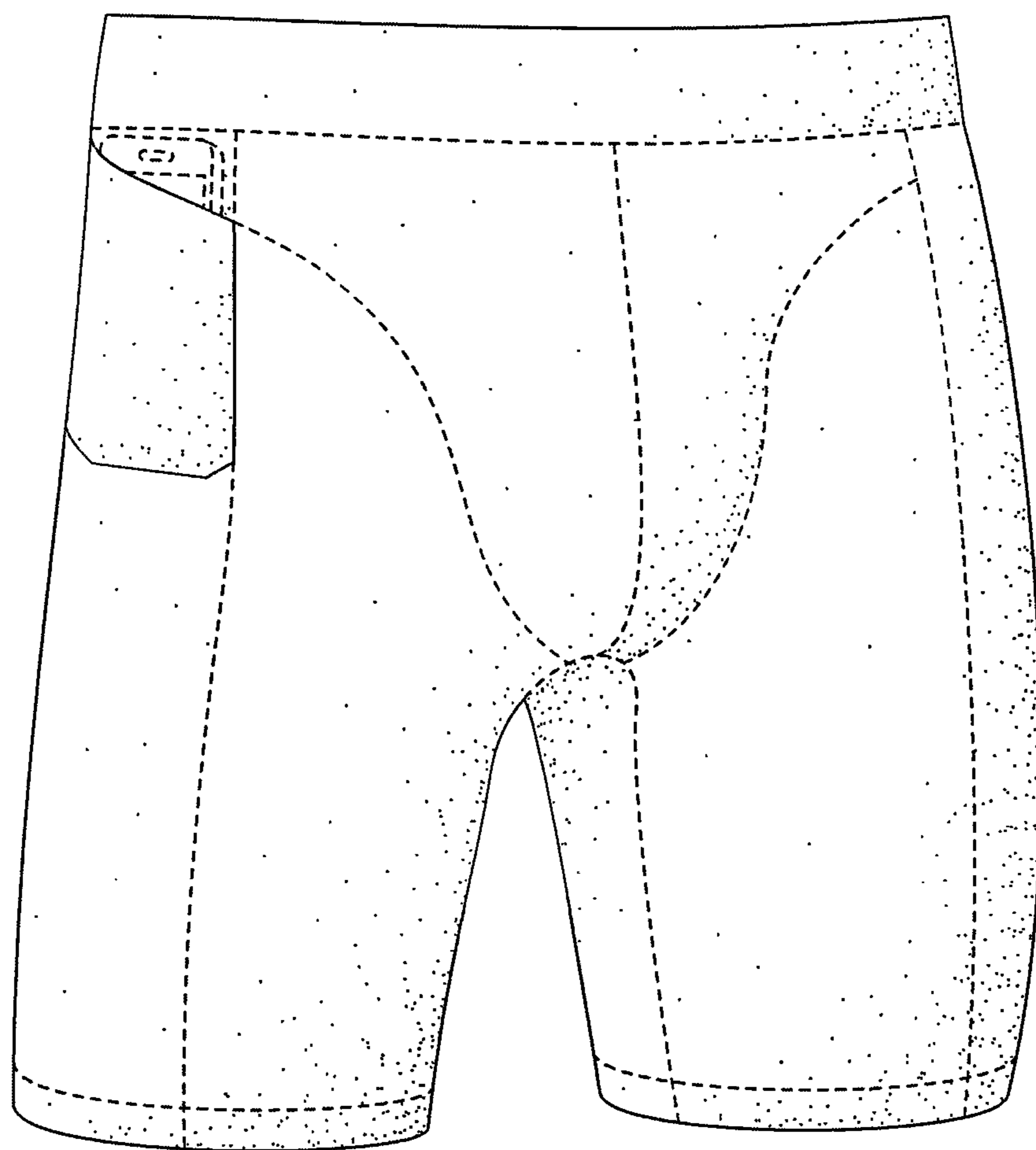


FIG. 5