



US00D702017S

(12) **United States Design Patent**
Gallagher et al.

(10) **Patent No.:** **US D702,017 S**

(45) **Date of Patent:** **** Apr. 8, 2014**

(54) **TEA BAG**

(76) Inventors: **Amy Gallagher**, Skeldergate (GB);
Hans Verhoosel, Skeldergate (GB)

(**) Term: **14 Years**

(21) Appl. No.: **29/413,602**

(22) Filed: **Feb. 17, 2012**

(30) **Foreign Application Priority Data**

Aug. 18, 2011 (EM) 001905878-001

(51) **LOC (10) Cl.** **01-01**

(52) **U.S. Cl.**
USPC **D1/199**

(58) **Field of Classification Search**

USPC D1/100-130, 199; 426/77, 79, 80, 83,
426/394, 410; D9/703, 706-710, 713;
D3/270; 53/413, 134.2; D19/1-3;
206/219, 804, 0.5; 383/117; D21/354,
D21/372, 373, 499, 506; D30/160; 99/279

See application file for complete search history.

(56) **References Cited**

U.S. PATENT DOCUMENTS

2,027,596 A * 1/1936 Kurz 426/92
2,330,884 A * 10/1943 Harriman 426/78
3,542,561 A * 11/1970 Rambold 426/79

4,153,153 A * 5/1979 Herzog 206/0.5
4,417,433 A * 11/1983 Mitchell 53/413
4,551,336 A * 11/1985 Chen 426/83
7,188,458 B2 * 3/2007 Rea et al. 53/134.2
2004/0255788 A1 * 12/2004 Bowe 99/279
2010/0101966 A1 * 4/2010 Shimizu 206/5
2011/0129626 A1 * 6/2011 Abate 428/34.4
2012/0297956 A1 * 11/2012 Sallee et al. 84/402

* cited by examiner

Primary Examiner — Cathron Brooks

Assistant Examiner — Katie Mroczka

(74) *Attorney, Agent, or Firm* — Simana Rao, Esq.; Bill Hare, Esq.; McNealy, Hare & War LLP

(57) **CLAIM**

The ornamental design for a tea bag, as shown and described.

DESCRIPTION

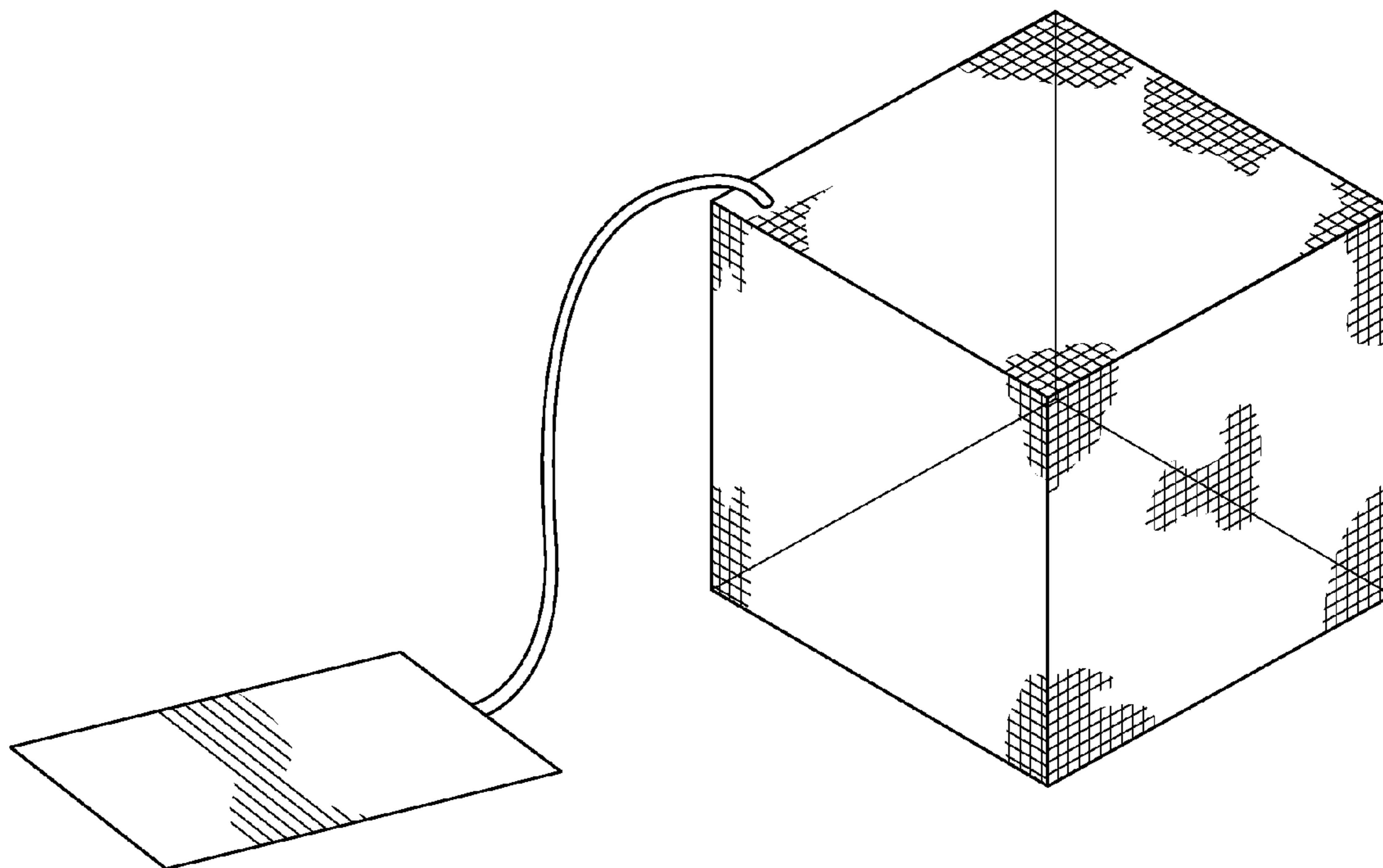
FIG. 1 is a first perspective view of the mesh tea bag showing that all side walls are identical with the exception of the top wall having a string attached to a tag;

FIG. 2 is a second perspective view of the instant invention showing the inside of the mesh tea bag having tea leaves therein with the tea leaves within the bag being visible through the mesh walls; and,

The broken lines showing the tea leaves are for the purpose of illustrating environment, and form no part of the claimed design; and,

FIG. 3 is a bottom view of the instant invention.

1 Claim, 3 Drawing Sheets



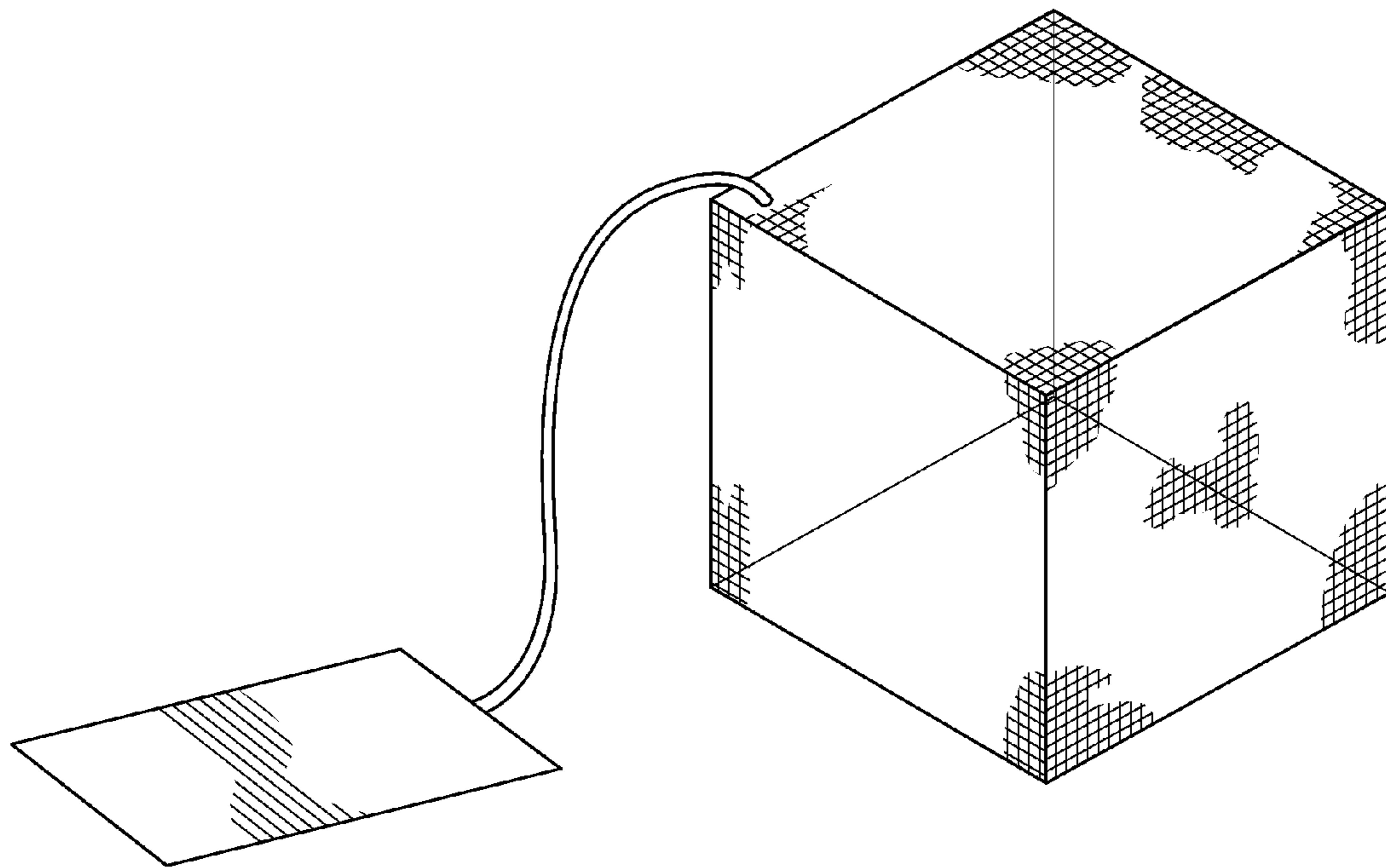


FIG. 1

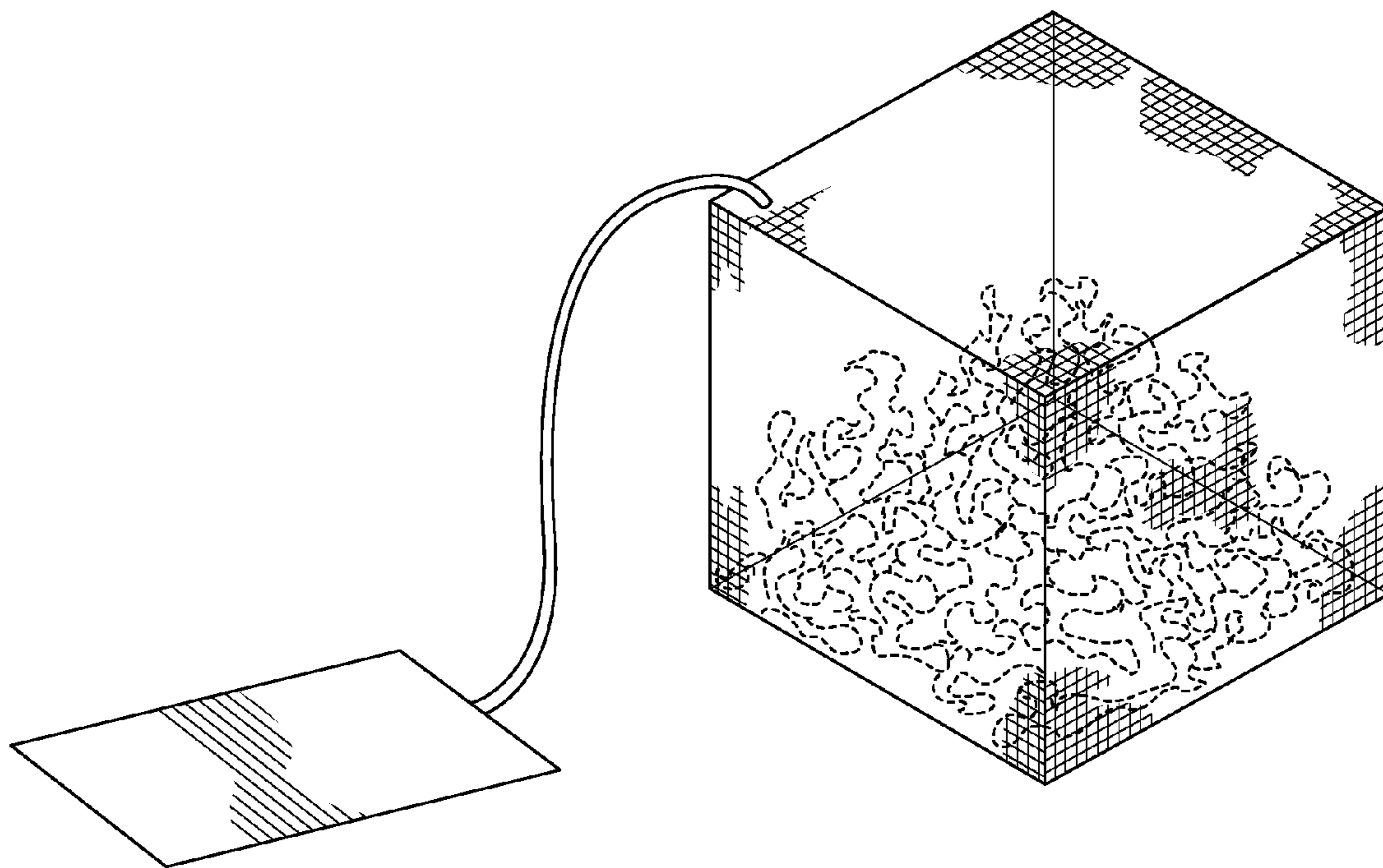


FIG. 2

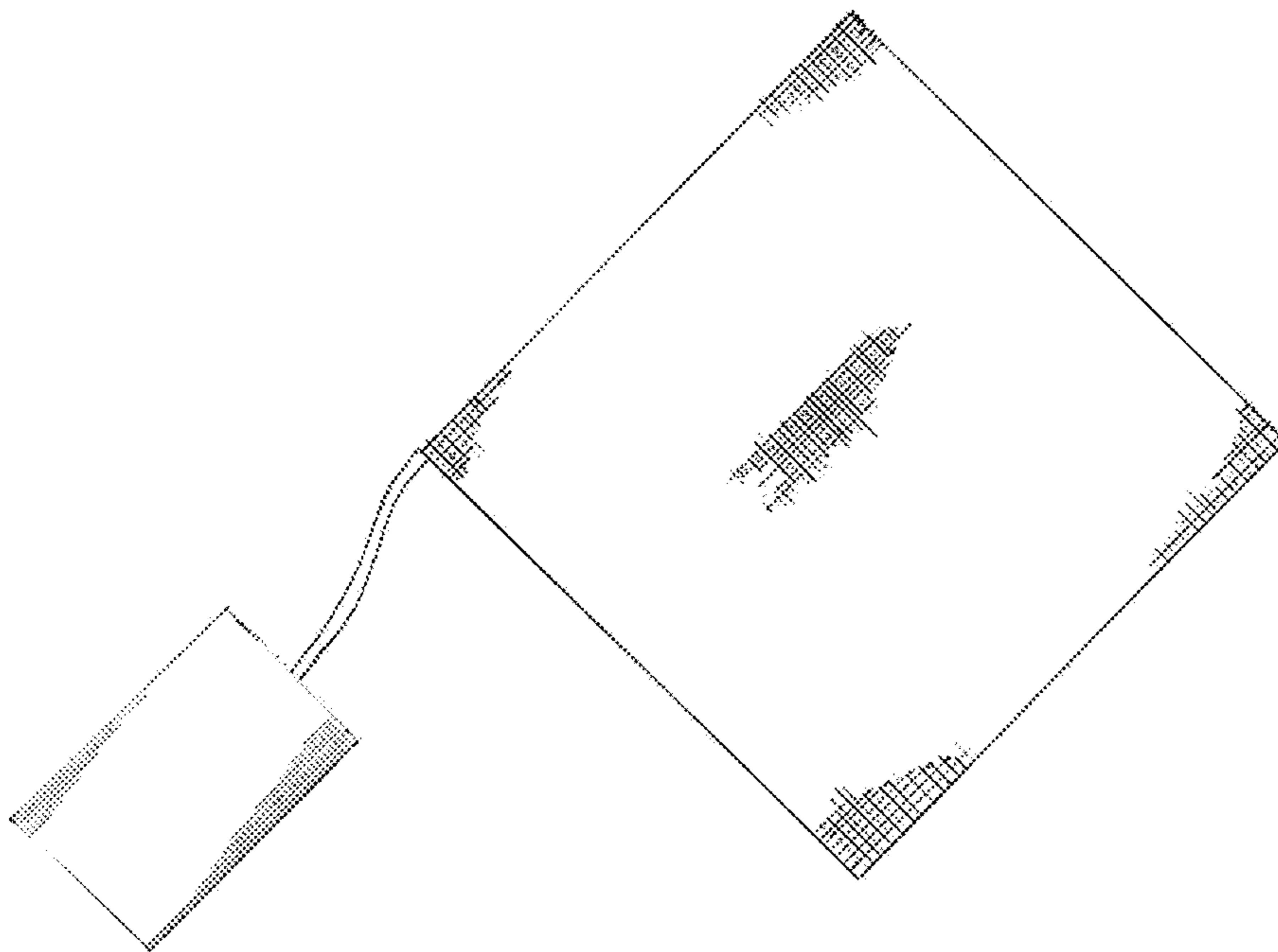


FIGURE 3