



US00D702010S

(12) **United States Design Patent**
Wang

(10) **Patent No.:** **US D702,010 S**

(45) **Date of Patent:** **** *Apr. 1, 2014**

(54) **FOUR WHEEL GOLF CART**

(76) Inventor: **Jonathan Hwan Wang**, Fremont, CA
(US)

(*) Notice: This patent is subject to a terminal disclaimer.

(**) Term: **14 Years**

(21) Appl. No.: **29/413,949**

(22) Filed: **Feb. 22, 2012**

(51) **LOC (10) Cl.** **12-13**

(52) **U.S. Cl.**
USPC **D34/15**

(58) **Field of Classification Search**
USPC D34/12-27; 280/DIG. 5, DIG. 6;
180/19.3, 19.1, 215, 216, 907
See application file for complete search history.

(56) **References Cited**

U.S. PATENT DOCUMENTS

D596,821 S *	7/2009	Reimers et al.	D34/15
D622,924 S *	8/2010	Liao	D34/15
D634,913 S *	3/2011	Xie	D34/15
D637,783 S *	5/2011	Liao	D34/15
D638,601 S *	5/2011	Lin	D34/15

D647,679 S *	10/2011	Liao	D34/15
D657,522 S *	4/2012	Liao	D34/15
D657,523 S *	4/2012	Gong	D34/15
D657,524 S *	4/2012	Liao	D34/15
D657,929 S *	4/2012	Gong	D34/15

* cited by examiner

Primary Examiner — Cynthia Ramirez

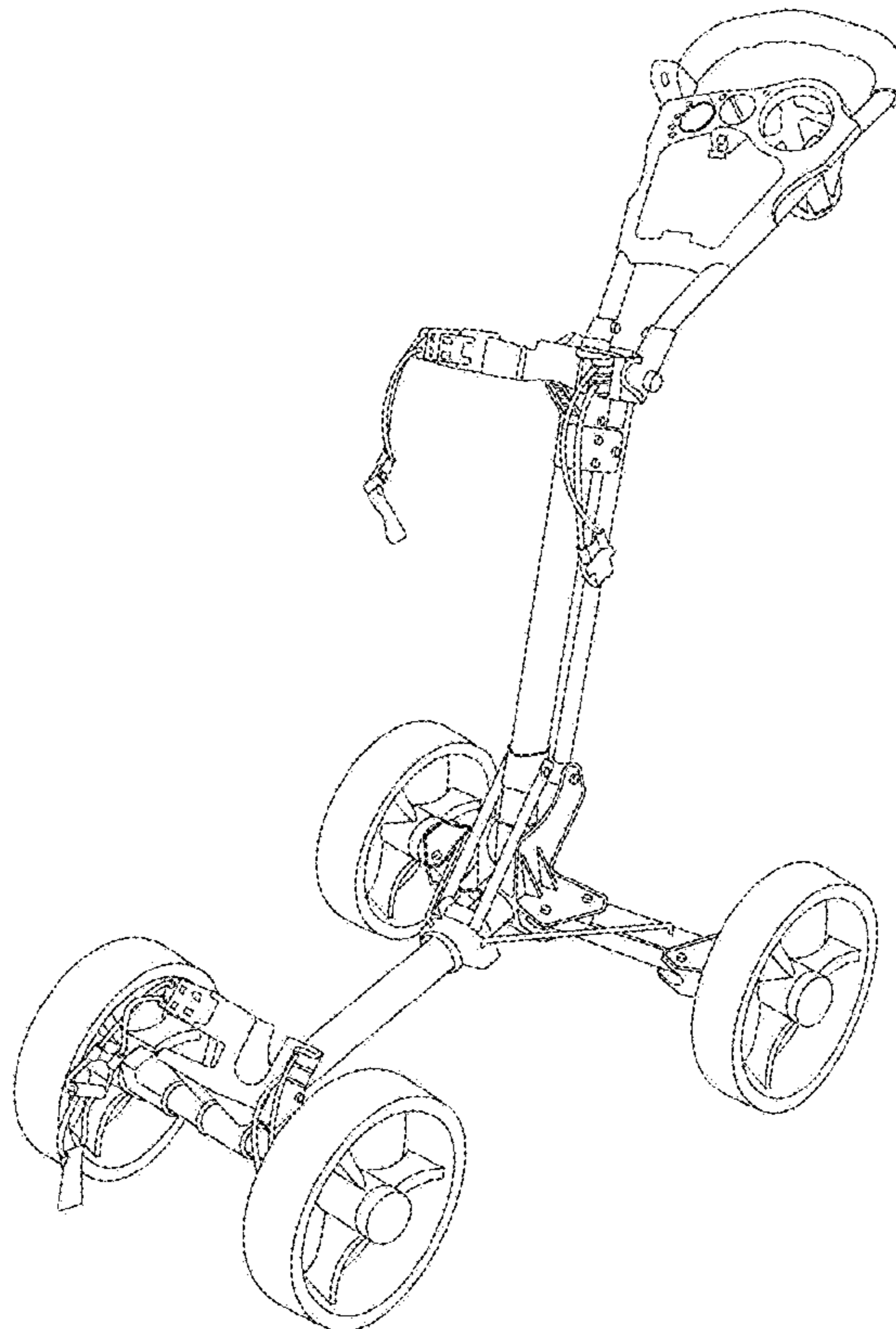
(57) **CLAIM**

The ornamental design for a four wheel golf cart, as shown and described.

DESCRIPTION

FIG. 1 is a front perspective view of a four wheel golf cart of the present design;
 FIG. 2 is a front, side perspective view thereof;
 FIG. 3 is a side perspective view thereof;
 FIG. 4 is a rear perspective view thereof; and,
 FIG. 5 is a lower section top plan view thereof.
 Only the lower section of the golf cart is shown in FIG. 5 for convenience of illustration.
 In a preferred embodiment, the nature of this product is as a golf cart, which is primarily useful as a caddy for golf equipment and/or accessories.

1 Claim, 5 Drawing Sheets



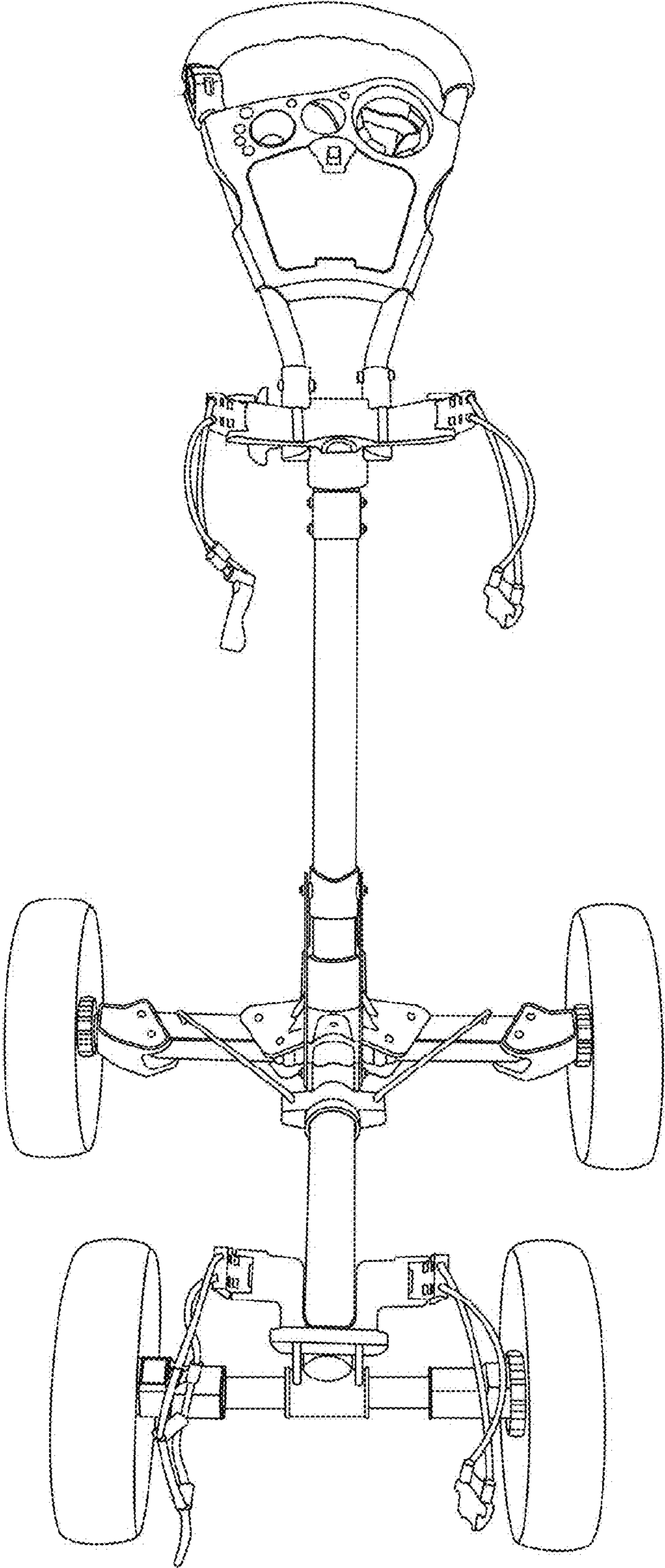


Fig. 1

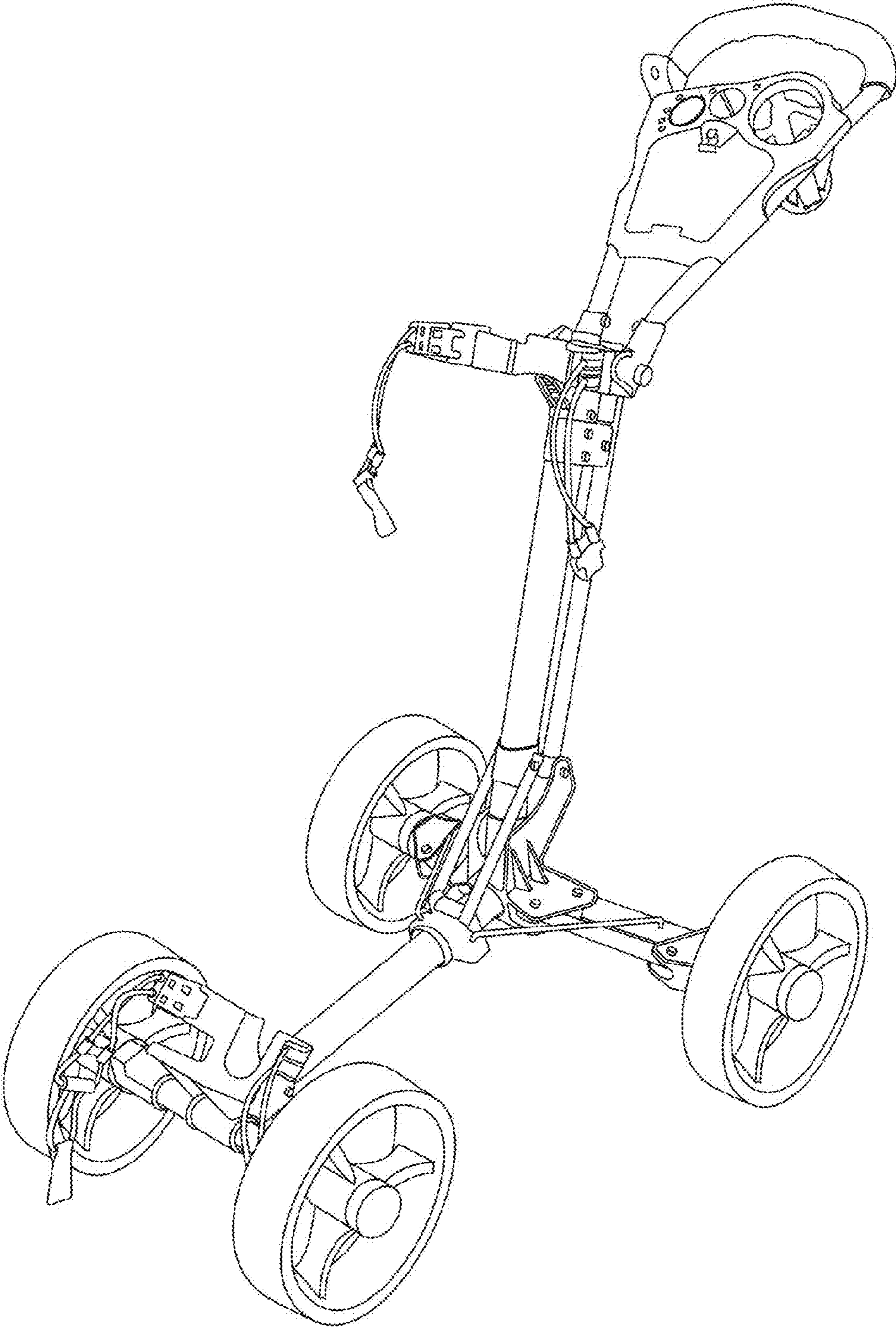


Fig. 2

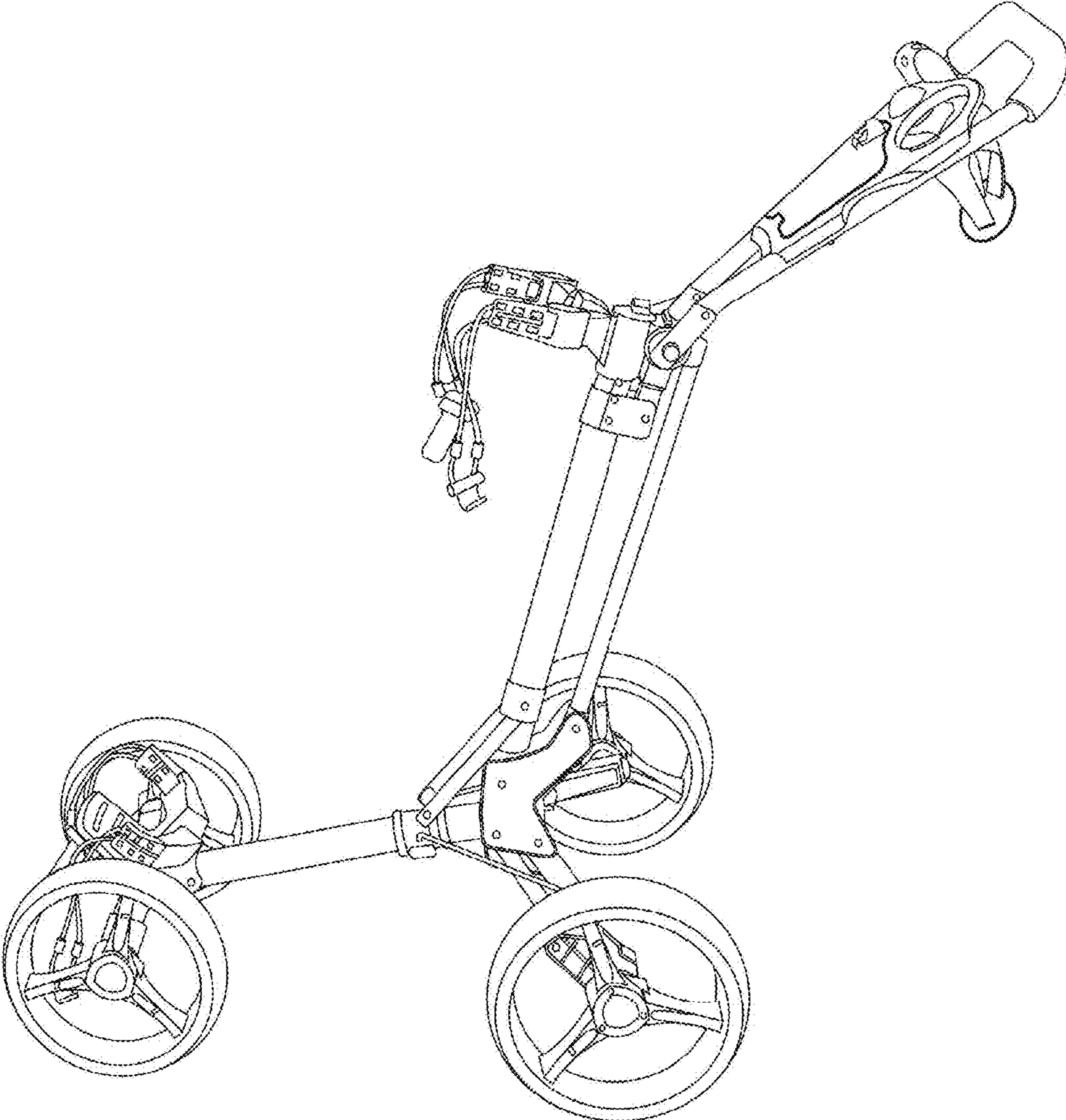


Fig. 3

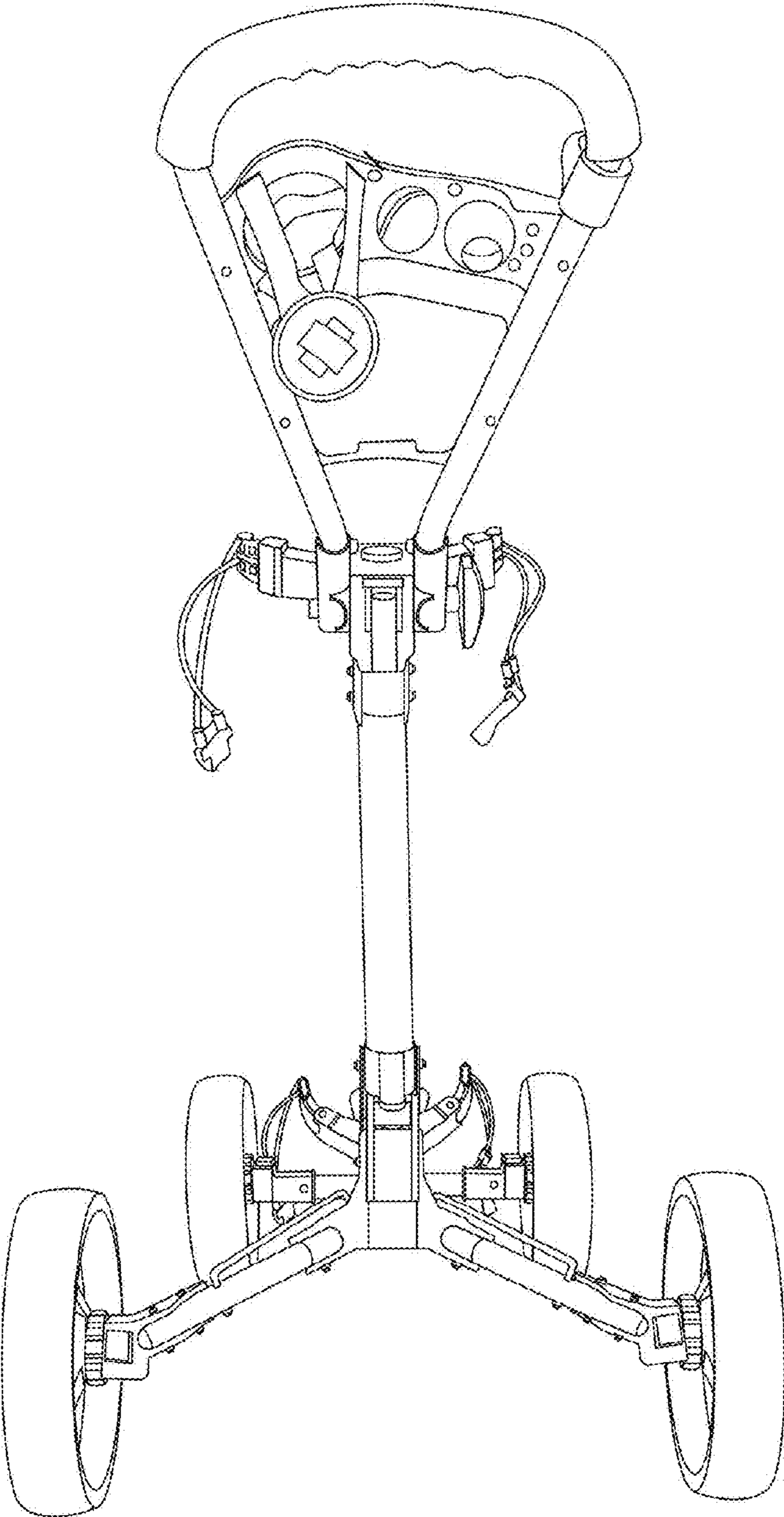


Fig. 4

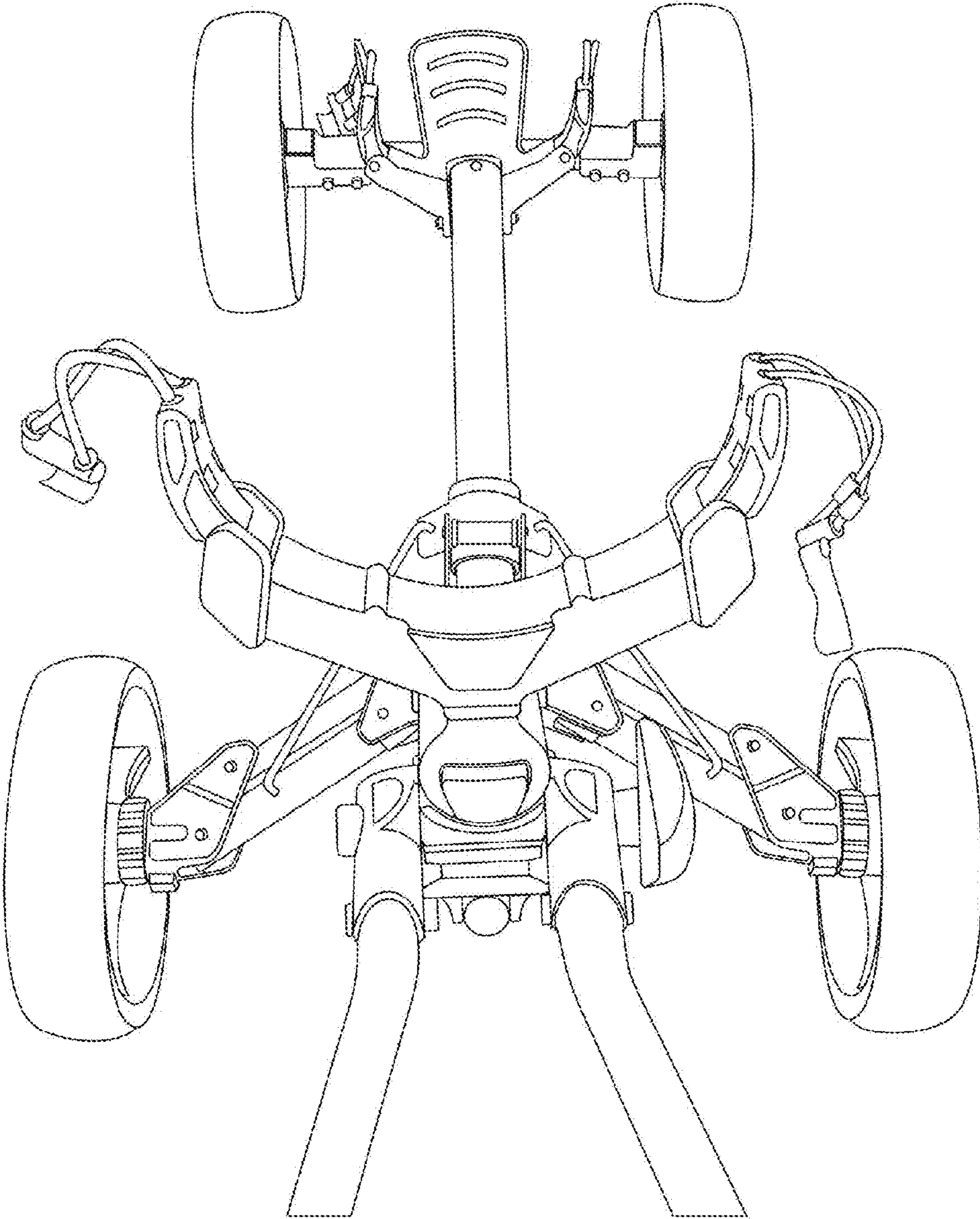


Fig. 5