



US00D702005S

(12) **United States Design Patent**  
**Byrne**

(10) **Patent No.:** **US D702,005 S**  
(45) **Date of Patent:** **\*\* Apr. 1, 2014**

(54) **HANDLE AND BALL PET TOY**  
(71) Applicant: **C. B. Worldwide, Inc.**, Mammoth  
Lakes, CA (US)  
(72) Inventor: **Charles A. Byrne**, Mammoth Lakes, CA  
(US)

D382,678 S \* 8/1997 Weinacker, Jr. .... D30/160  
D470,277 S \* 2/2003 Tu ..... D30/160  
D497,225 S \* 10/2004 Weinacker, Jr. .... D30/160  
D497,237 S \* 10/2004 Tepper et al. .... D30/160  
D505,233 S \* 5/2005 Viola ..... D30/160  
D523,592 S \* 6/2006 Wang ..... D30/160  
D546,507 S \* 7/2007 Byrne ..... D30/160  
D638,178 S \* 5/2011 Byrne ..... D30/160

(\*\*) Term: **14 Years**

\* cited by examiner

(21) Appl. No.: **29/462,980**

*Primary Examiner* — Cathy A MacCormac

(22) Filed: **Aug. 12, 2013**

(74) *Attorney, Agent, or Firm* — Martino Patent Law

(51) **LOC (10) Cl.** ..... **30-99**

(52) **U.S. Cl.**  
USPC ..... **D30/160**

(57) **CLAIM**  
The ornamental design for a handle and ball pet toy, as shown  
and described.

(58) **Field of Classification Search**  
USPC ..... D30/160; D21/405–406, 408, 466;  
D24/194, 211; 119/702, 706–711  
See application file for complete search history.

**DESCRIPTION**

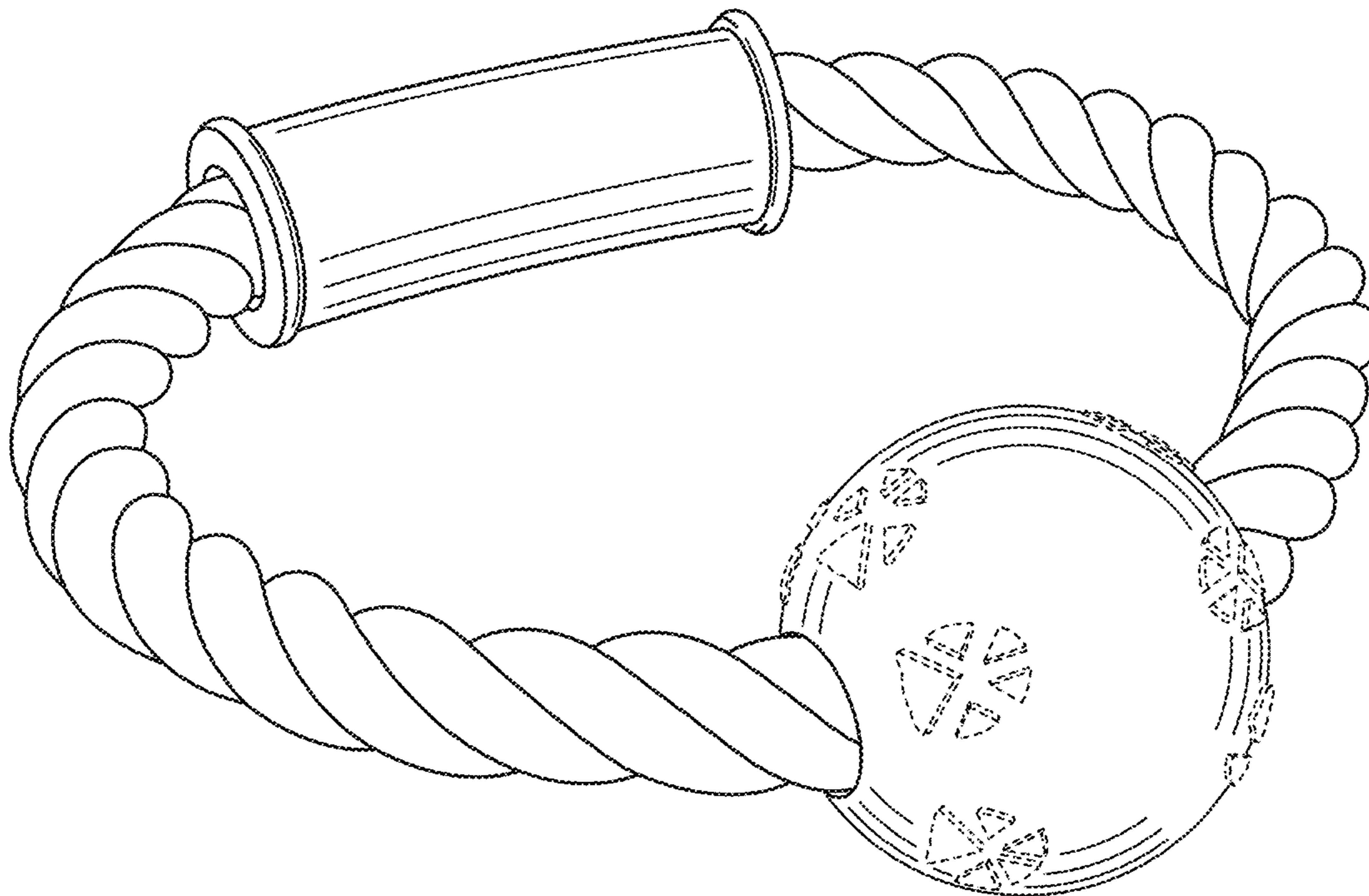
(56) **References Cited**

U.S. PATENT DOCUMENTS

1,090,122 A \* 3/1914 Adams ..... D30/160  
2,211,102 A \* 8/1940 Davis ..... D21/408  
D330,614 S \* 10/1992 O'Rourke ..... D30/160  
D374,048 S \* 9/1996 Lance ..... D21/662  
D381,593 S \* 7/1997 Dreyfus et al. .... D30/160

FIG. 1 is a front perspective view of a handle and ball pet toy  
embodying my new design;  
FIG. 2 is a front elevational view thereof of FIG. 1;  
FIG. 3 is a rear elevational view thereof of FIG. 1;  
FIG. 4 is a left side elevational view thereof of FIG. 1;  
FIG. 5 is a right side elevational view thereof of FIG. 1; and,  
FIG. 6 is a top elevational view thereof of FIG. 1.  
The broken lines shown in the drawings are for illustrative  
purposes only and form no part of the claimed design.

**1 Claim, 2 Drawing Sheets**



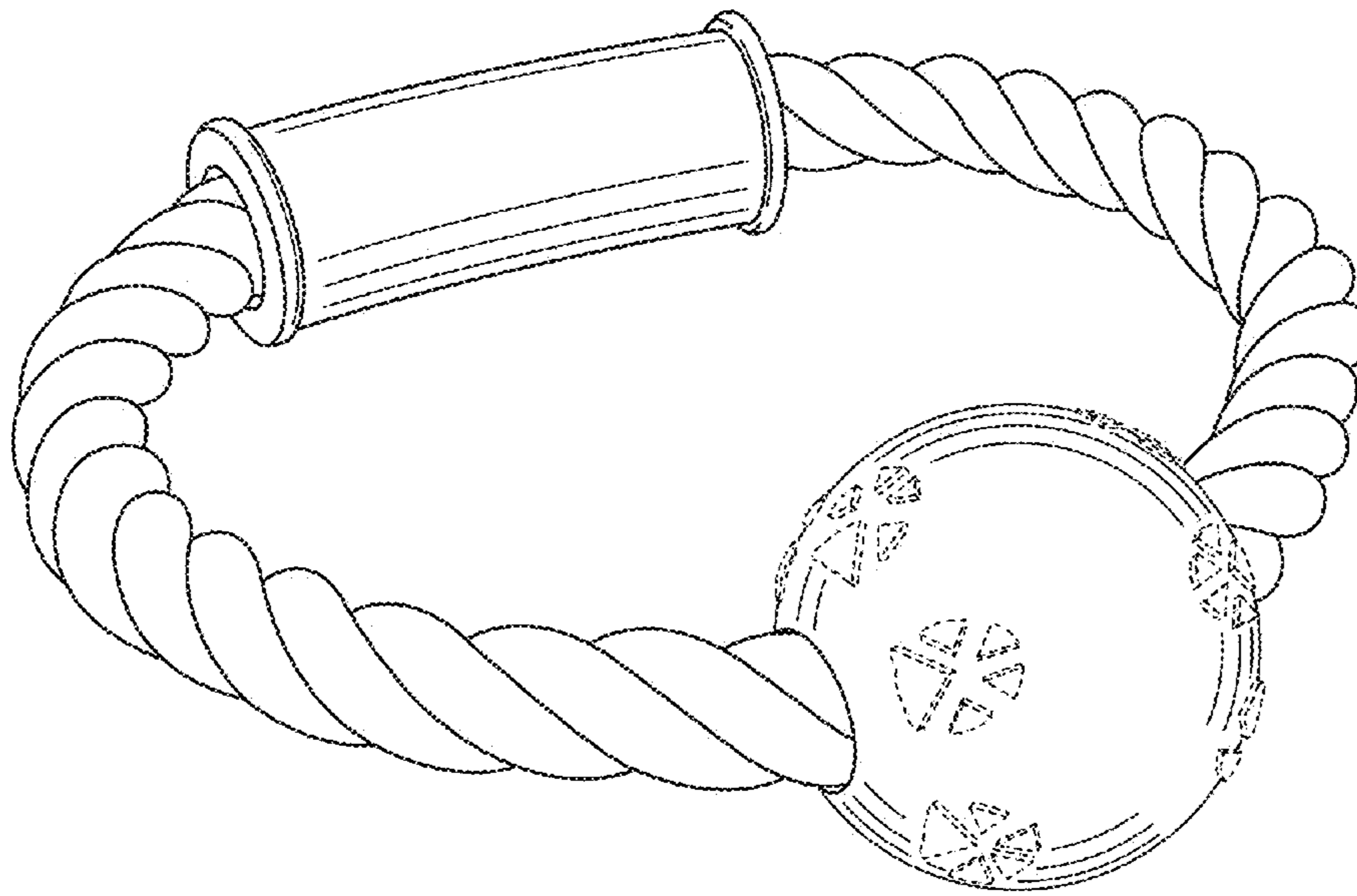


FIG. 1

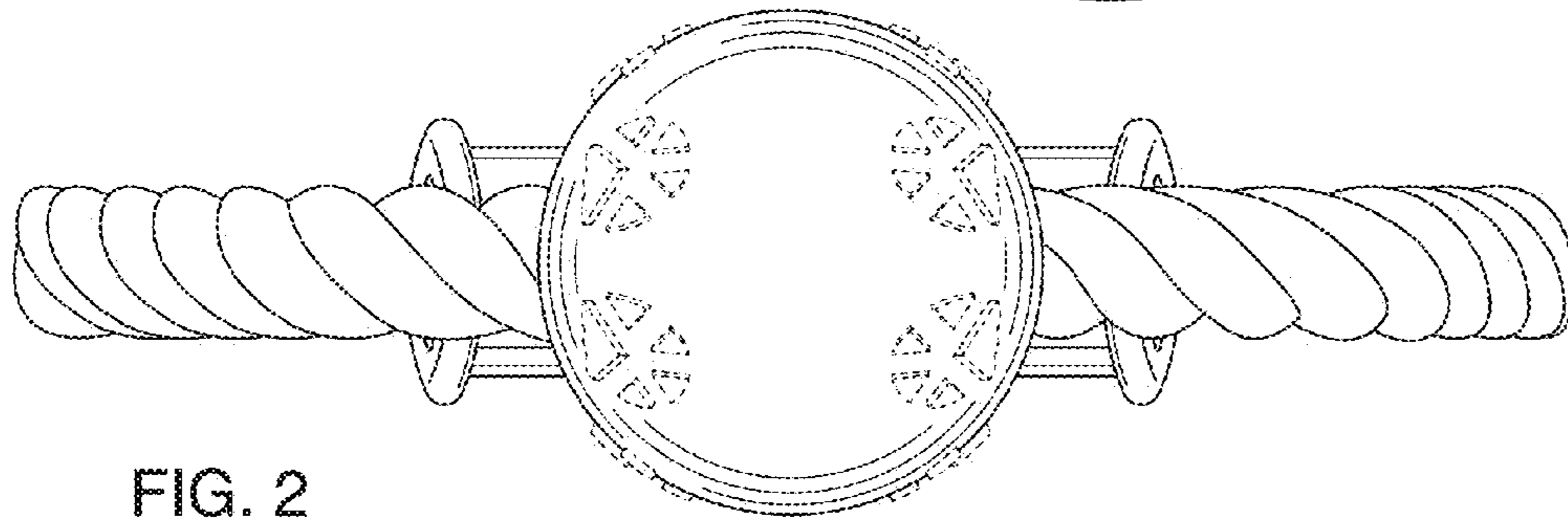


FIG. 2

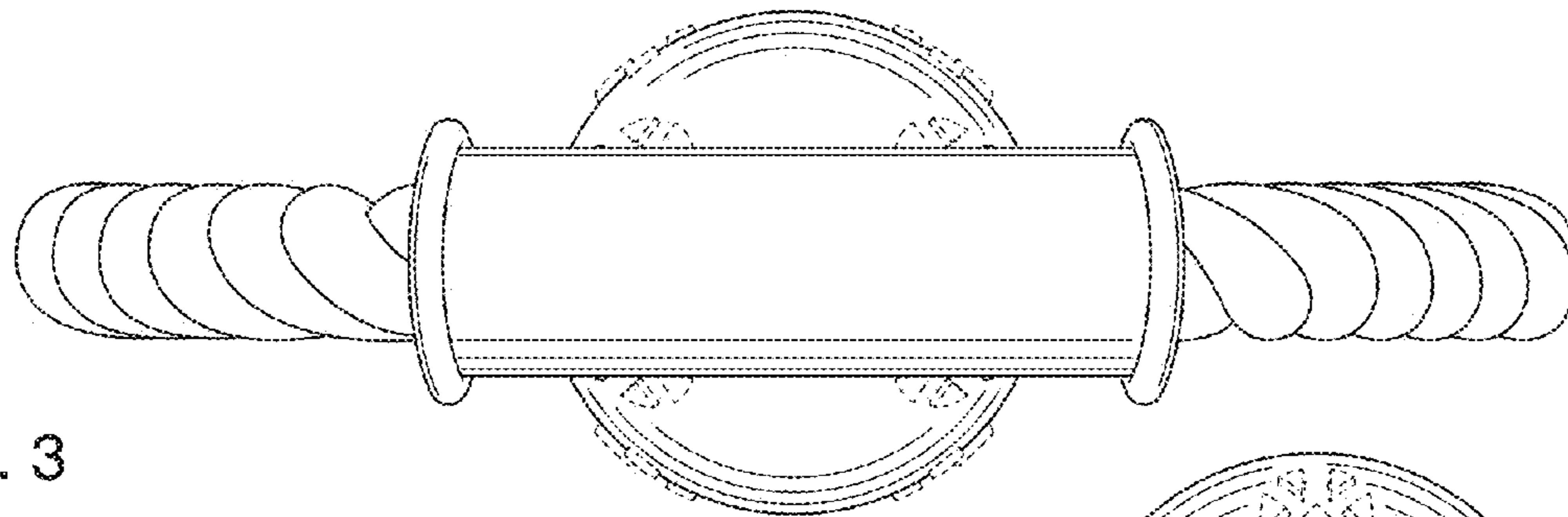


FIG. 3

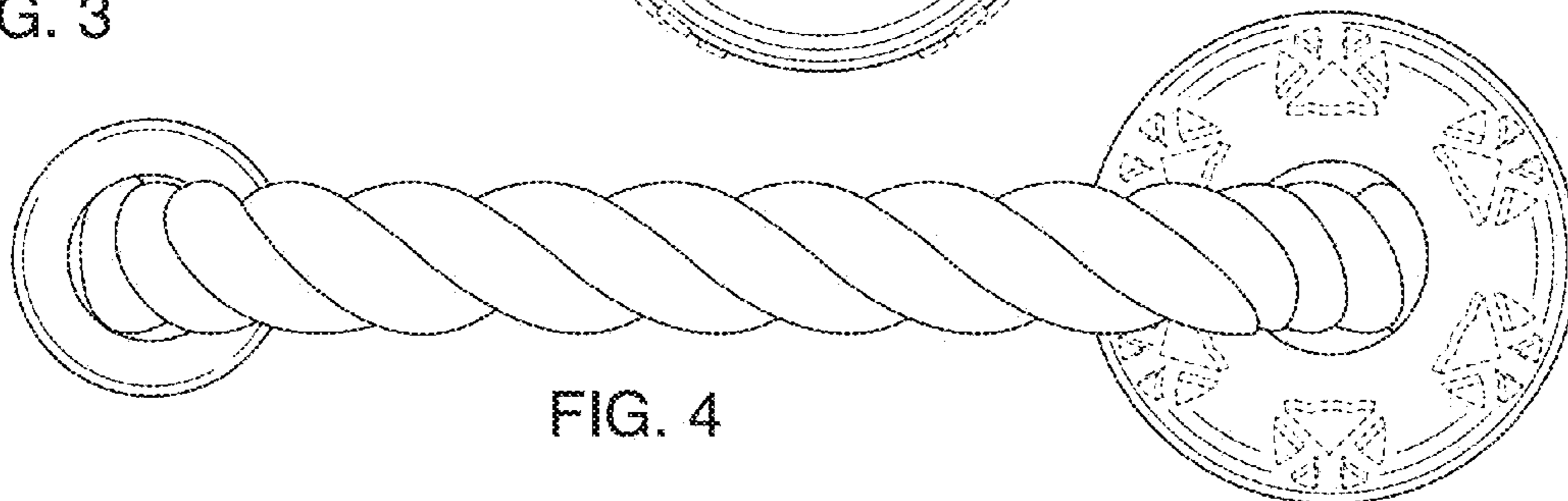


FIG. 4

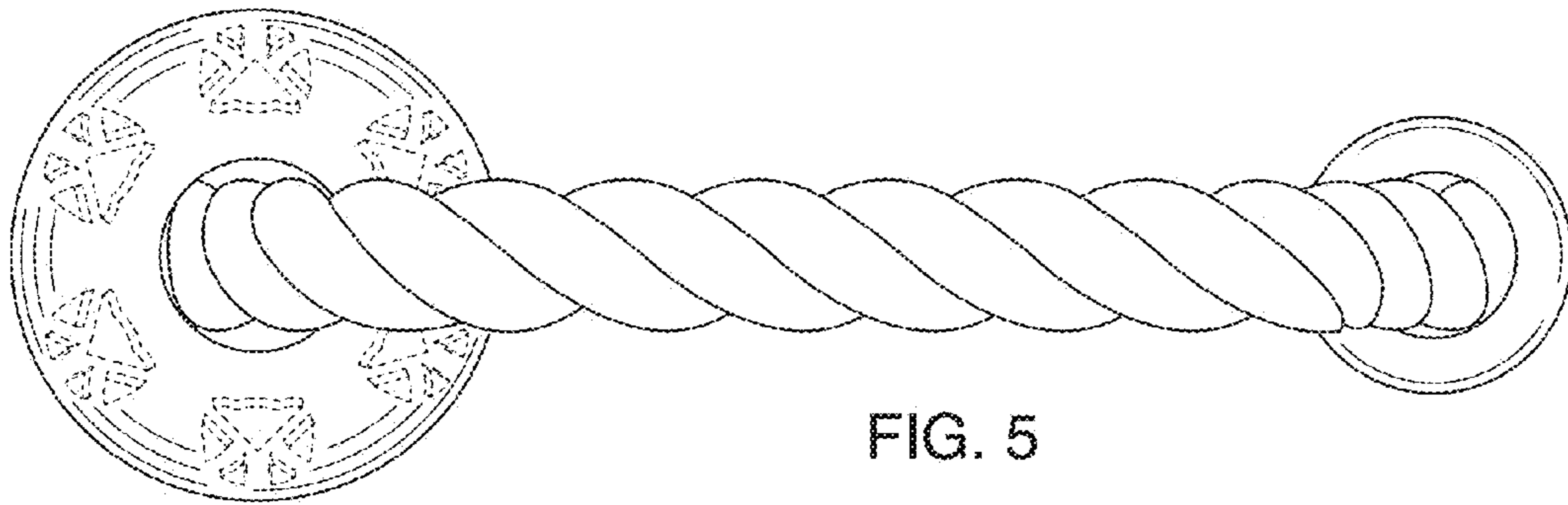


FIG. 5

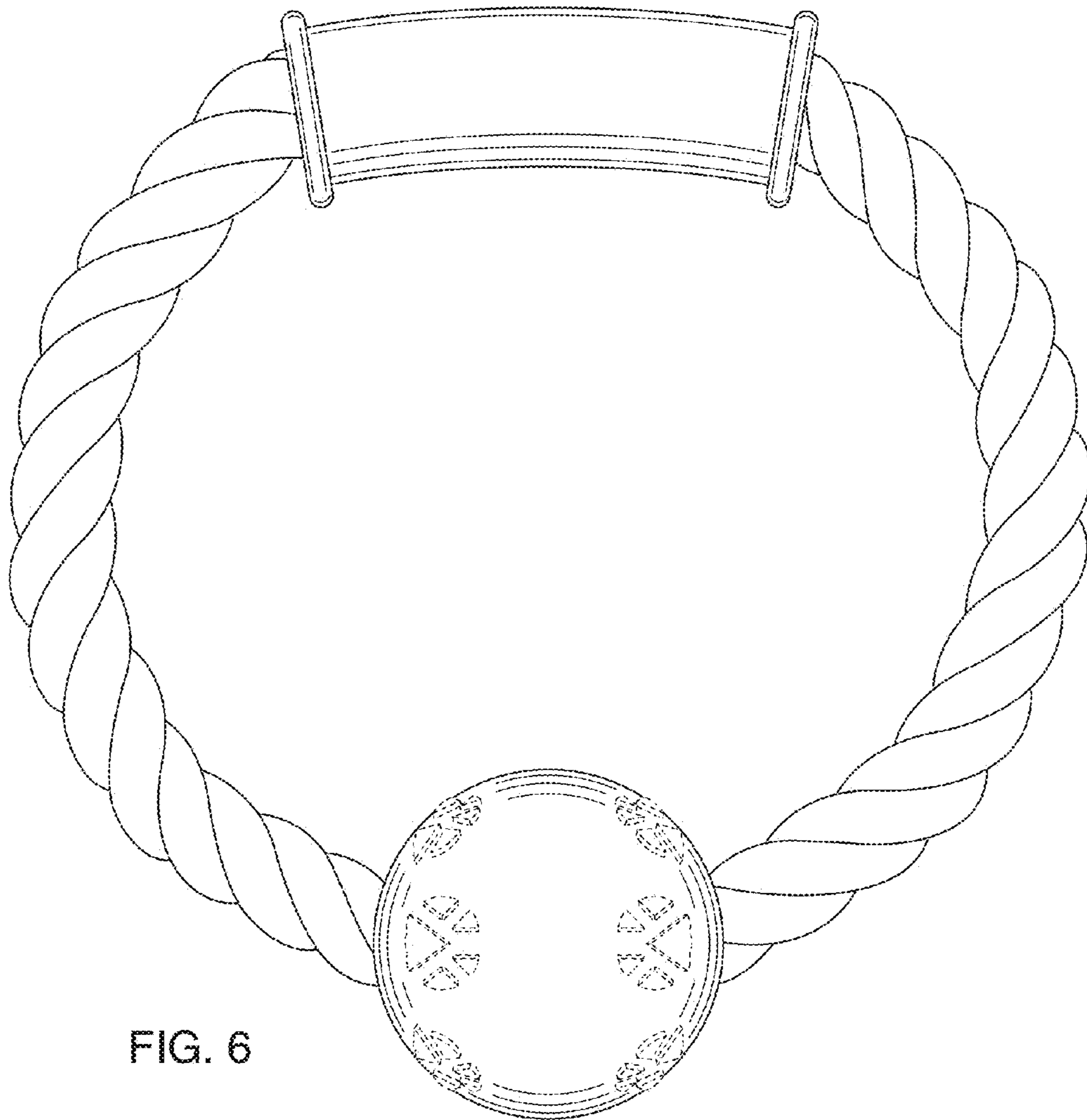


FIG. 6