



US00D702000S

(12) **United States Design Patent**  
**Hudak et al.**

(10) **Patent No.:** **US D702,000 S**

(45) **Date of Patent:** **\*\* Apr. 1, 2014**

(54) **FIRE EXTINGUISHER**

(56) **References Cited**

(71) Applicant: **Akron Brass Company**, Wooster, OH (US)

U.S. PATENT DOCUMENTS

(72) Inventors: **Thomas Hudak**, Wooster, OH (US);  
**Jeffrey Silver Taggart**, Cleveland Heights, OH (US); **Stephen Hughett**, Medina, OH (US); **Lindsey Tufts, Jr.**, Eastlake, OH (US); **Alex Lei Velet**, Westlake, OH (US); **Lyndsy Hughett**, Medina, OH (US); **Joshua Siegal**, Beachwood, OH (US)

D464,416 S *	10/2002	von Dohlen et al. ....	D23/366
D533,930 S *	12/2006	Keller et al. ....	D23/366
D547,850 S *	7/2007	Michaels et al. ....	D23/366
D548,317 S *	8/2007	Newton et al. ....	D23/366
D582,534 S *	12/2008	Conway et al. ....	D23/366
D593,669 S *	6/2009	Daelemans et al. ....	D23/366
D604,824 S *	11/2009	Paolazzi et al. ....	D23/366
D607,553 S *	1/2010	Roller ....	D23/366
D637,274 S *	5/2011	Chan et al. ....	D23/364
D639,923 S *	6/2011	Belongia et al. ....	D23/366
D647,187 S *	10/2011	Chan et al. ....	D23/364
D663,018 S *	7/2012	Sordo et al. ....	D23/366
D688,563 S *	8/2013	Cohen et al. ....	D9/689

(73) Assignee: **Akron Brass Company**, Wooster, OH (US)

\* cited by examiner

(\*\*) Term: **14 Years**

*Primary Examiner* — Randall Gholson

(21) Appl. No.: **29/440,139**

(74) *Attorney, Agent, or Firm* — McDonald Hopkins LLC

(22) Filed: **Dec. 19, 2012**

(57) **CLAIM**

The ornamental design for a fire extinguisher, as shown and described.

(51) **LOC (10) Cl.** ..... **29-01**

**DESCRIPTION**

(52) **U.S. Cl.**

USPC ..... **D29/125**

(58) **Field of Classification Search**

USPC ..... D23/355-369, 213, 214, 223, 224, 225, D23/231; D28/5, 6; 261/DIG. 17, DIG. 42, 261/DIG. 65, DIG. 88, DIG. 89, DIG. 47, 261/DIG. 55, DIG. 70; 392/356, 390, 392, 392/394, 395; 239/34, 44, 53, 55, 56, 326, 239/60, 308, 589; D9/687; D7/591; D29/125, 126, 129, 130; 169/7, 89; 222/210, 324

FIG. 1 is a perspective view of a fire extinguisher showing our new design;

FIG. 2 is a side view thereof;

FIG. 3 is a front view thereof;

FIG. 4 is a rear view thereof;

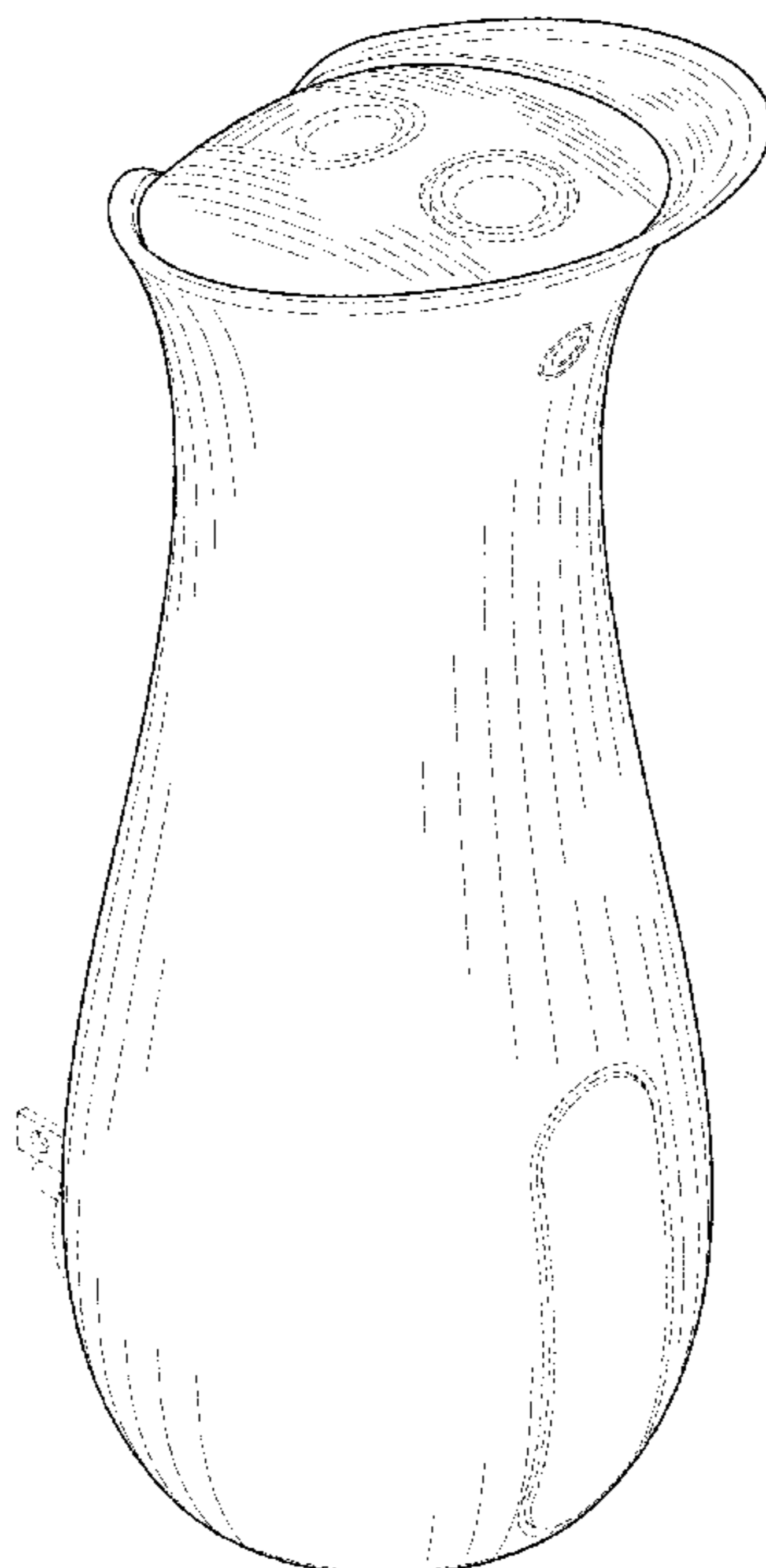
FIG. 5 is a top view thereof; and,

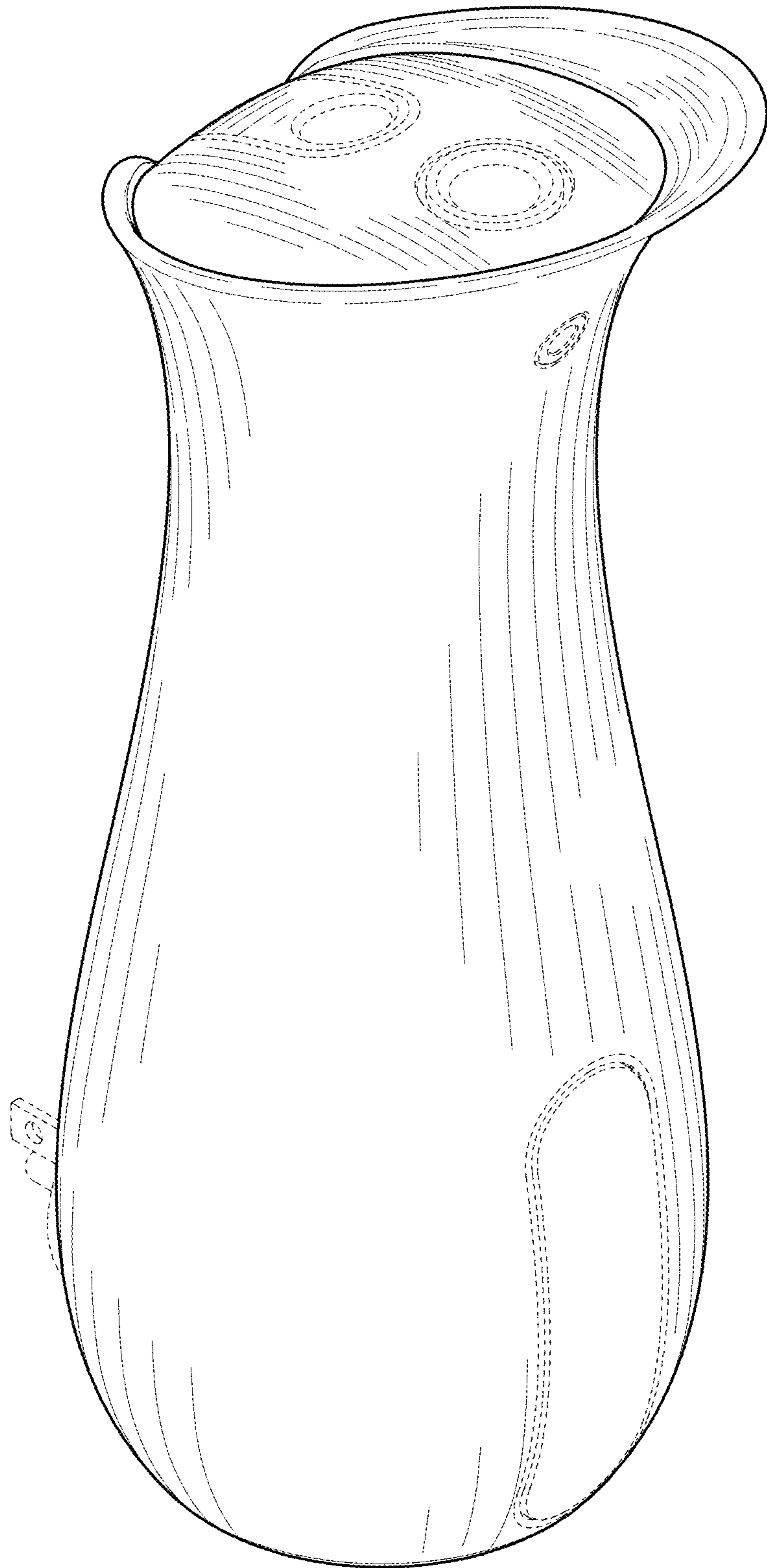
FIG. 6 is a bottom view thereof.

The broken lines in the figures are included for the purpose of illustrating portions of a fire extinguisher and form no part of the claimed design.

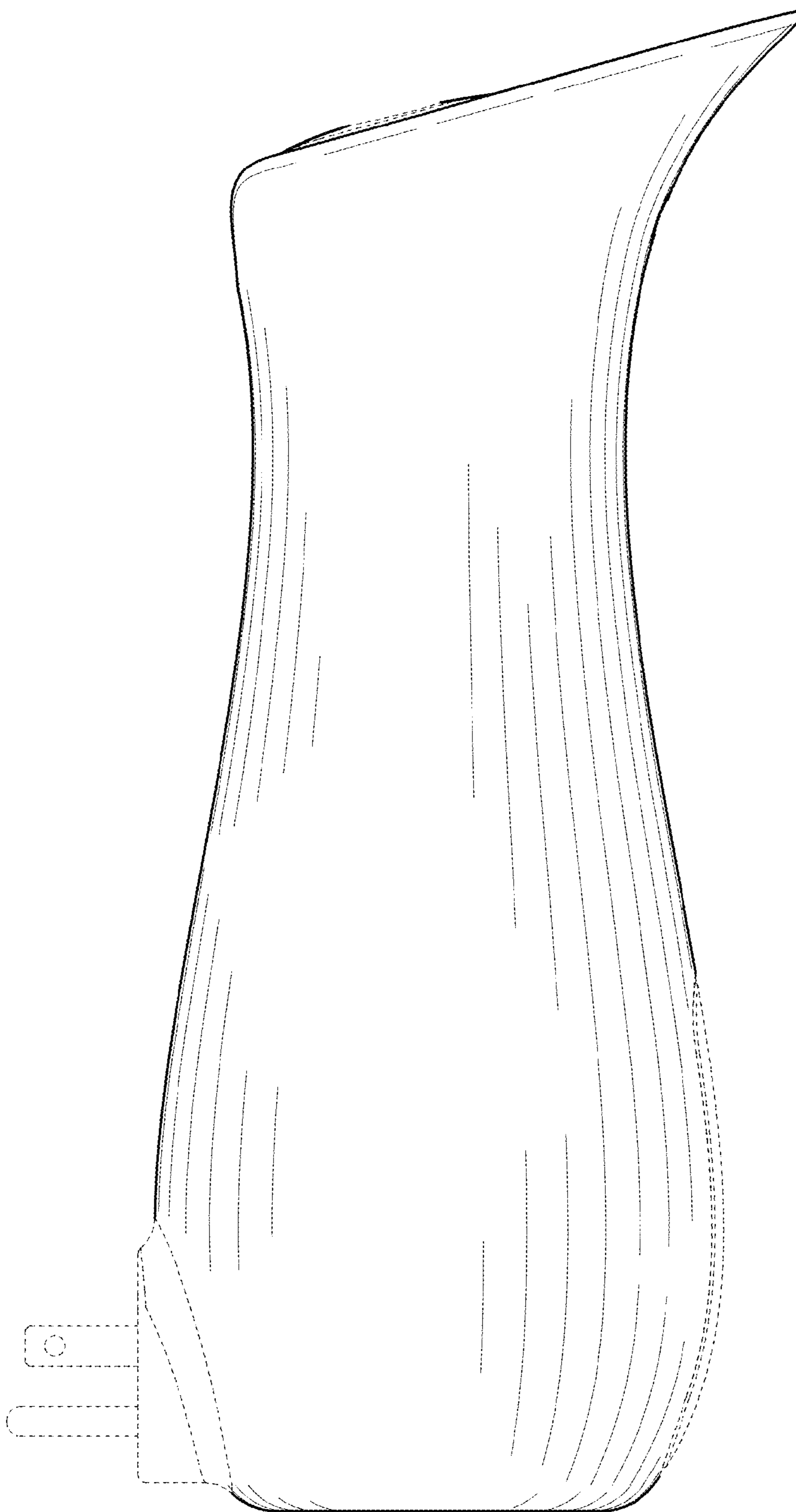
See application file for complete search history.

**1 Claim, 5 Drawing Sheets**





**Fig. 1**



**Fig. 2**

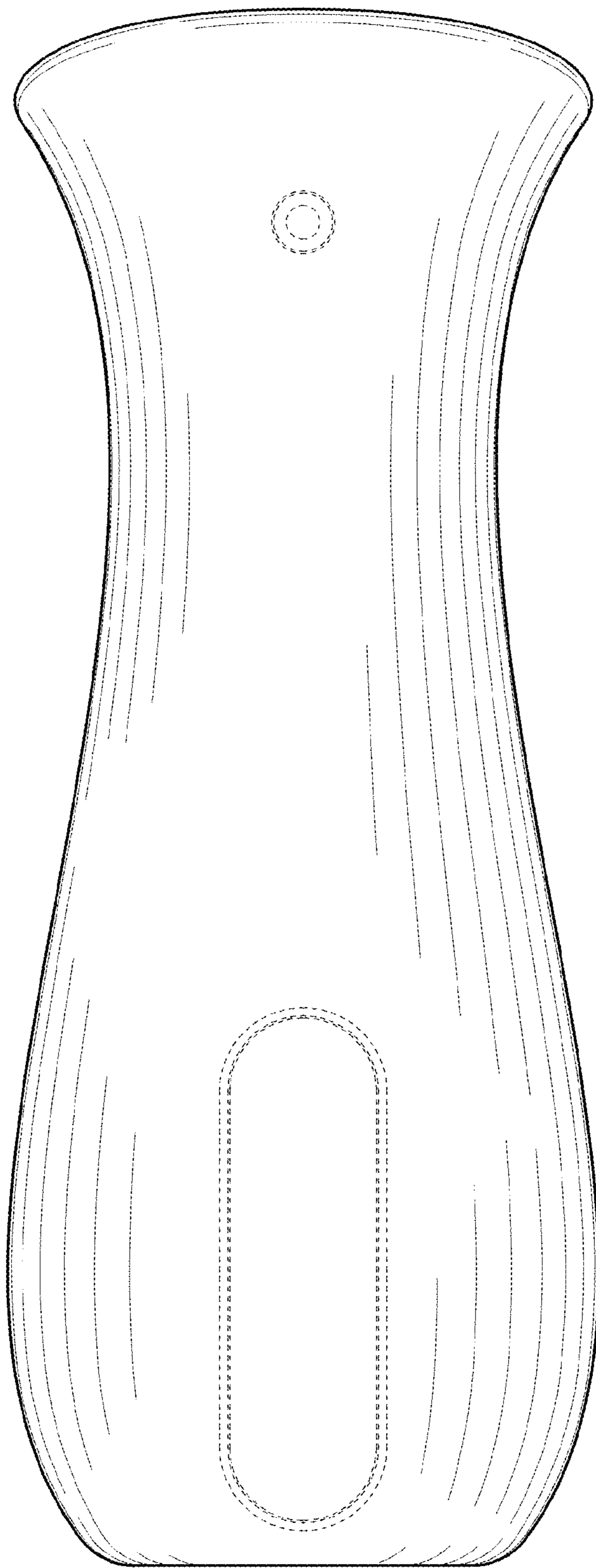


Fig. 3

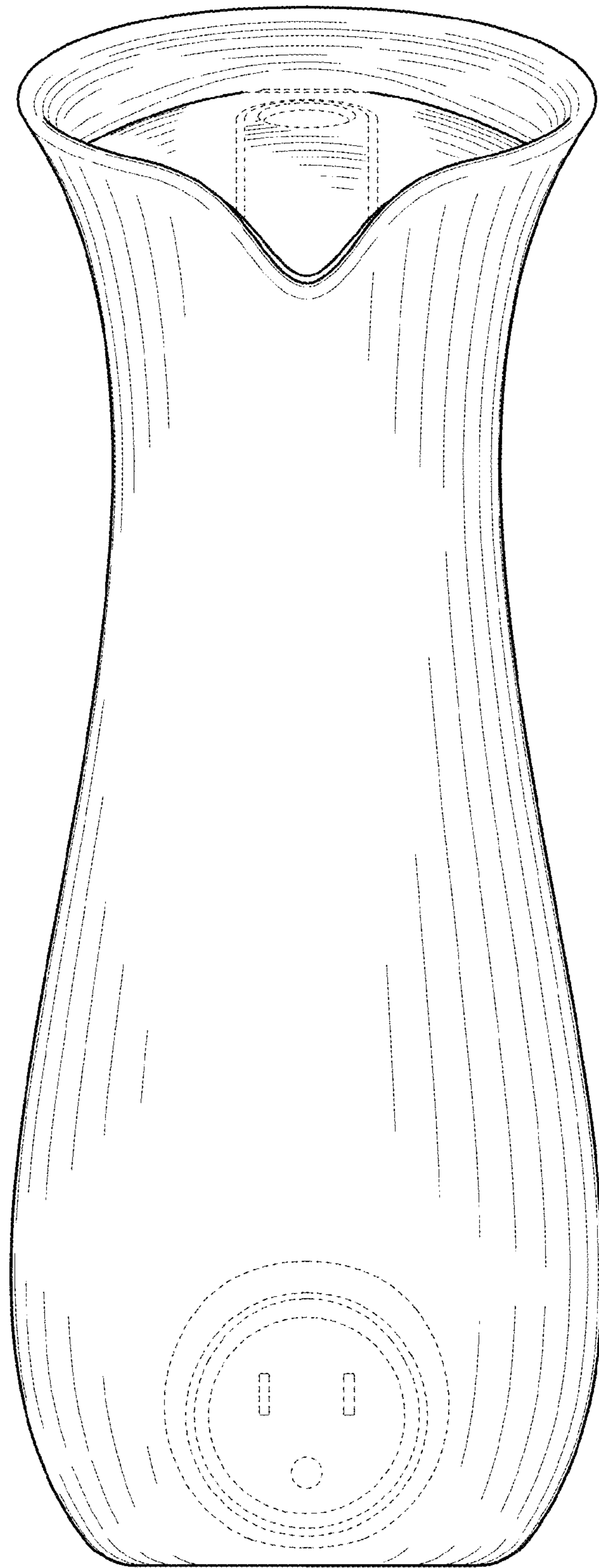
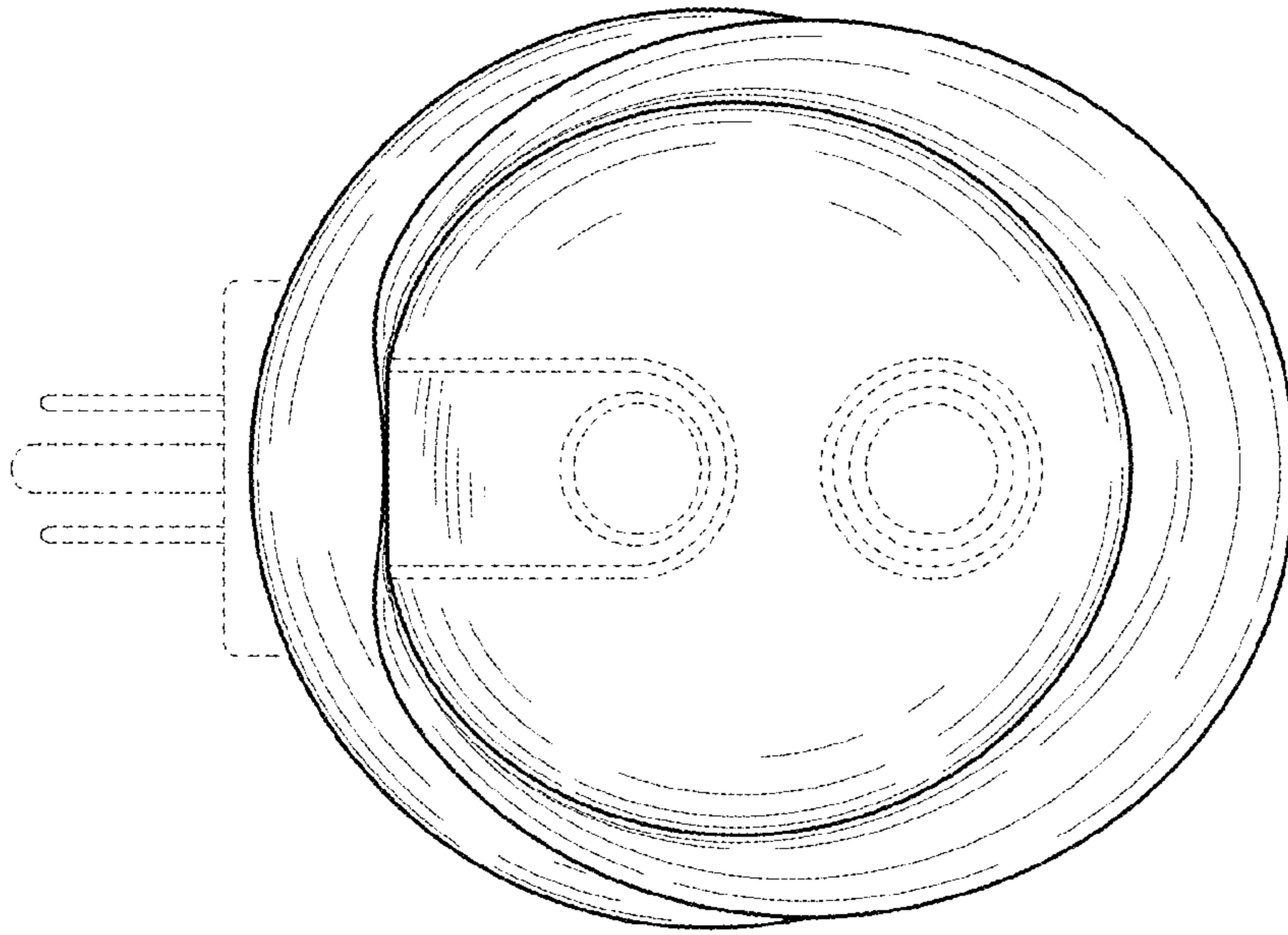
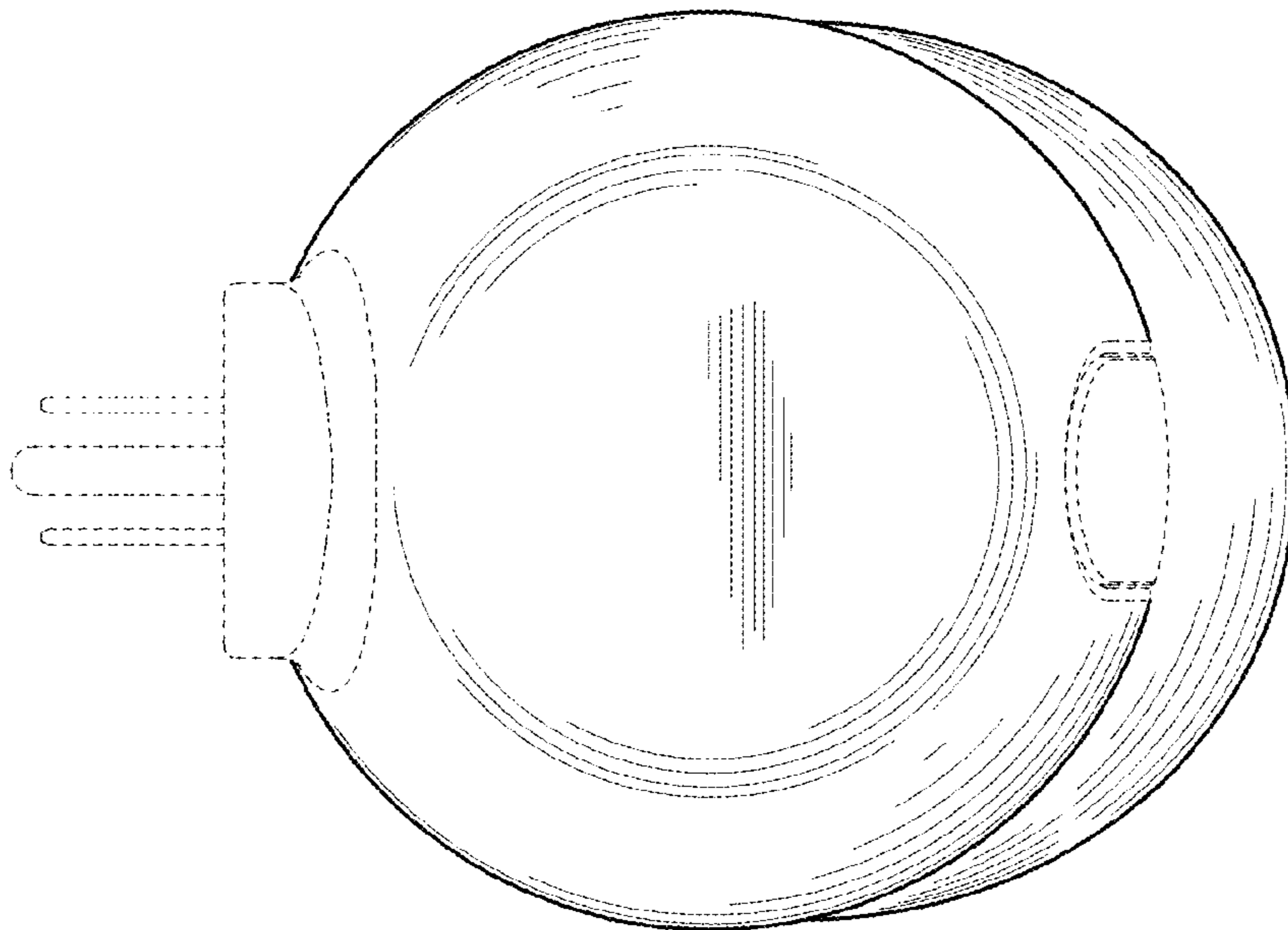


Fig. 4



**Fig. 5**



**Fig. 6**