



US00D701998S

(12) **United States Design Patent**
Brown

(10) **Patent No.:** **US D701,998 S**

(45) **Date of Patent:** **** Apr. 1, 2014**

(54) **BEAUTY PRODUCTS ORGANIZER**

D514,355 S * 2/2006 Cowan et al. D6/570
D609,955 S * 2/2010 Parker D6/570
D687,244 S * 8/2013 Park D28/73

(71) Applicant: **Nicholas Brown**, Warren, MI (US)

* cited by examiner

(72) Inventor: **Nicholas Brown**, Warren, MI (US)

Primary Examiner — Jennifer Rivard

(**) Term: **14 Years**

(74) *Attorney, Agent, or Firm* — QuickPatents; Kevin Prince

(21) Appl. No.: **29/450,972**

(57) **CLAIM**

(22) Filed: **Mar. 26, 2013**

I claim the ornamental design for a beauty products organizer, as shown and described.

(51) **LOC (10) Cl.** **28-03**

(52) **U.S. Cl.**
USPC **D28/73; D6/570**

DESCRIPTION

(58) **Field of Classification Search**
USPC D28/73–75; D6/567–574;
132/286–318; 206/823, 581
See application file for complete search history.

FIG. 1 is a front perspective view of a beauty products organizer, showing my new design;
FIG. 2 is an exploded front perspective view thereof;
FIG. 3 is an exploded rear perspective view thereof;
FIG. 4 is a front elevational view of FIG. 1;
FIG. 5 is a rear elevational view of FIG. 1;
FIG. 6 is a right-side elevational view of FIG. 1;
FIG. 7 is a left-side elevational view of FIG. 1;
FIG. 8 is a top plan view of FIG. 1; and,
FIG. 9 is a bottom plan view of FIG. 1.

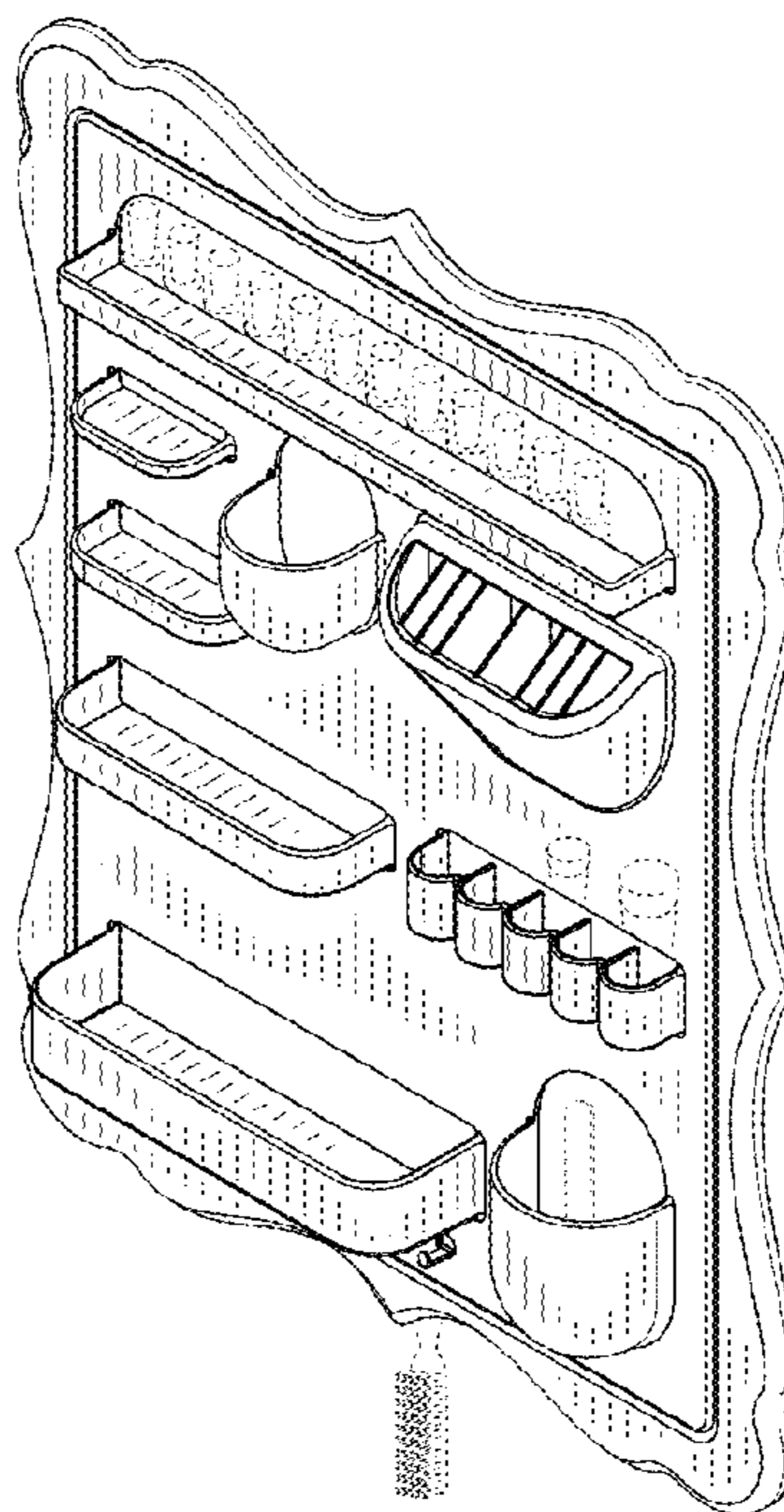
(56) **References Cited**

U.S. PATENT DOCUMENTS

D266,195 S * 9/1982 Bennett D28/73
D303,024 S * 8/1989 Zall D28/76
5,318,053 A * 6/1994 Barnhart 132/297
D388,905 S * 1/1998 Wells D28/73
D442,412 S * 5/2001 Gesing D6/570
6,820,755 B1 * 11/2004 Ranjit 211/70.6

The broken lines showing beauty products in FIG. 1 depict environmental matter and form no part of the claimed design.

1 Claim, 3 Drawing Sheets



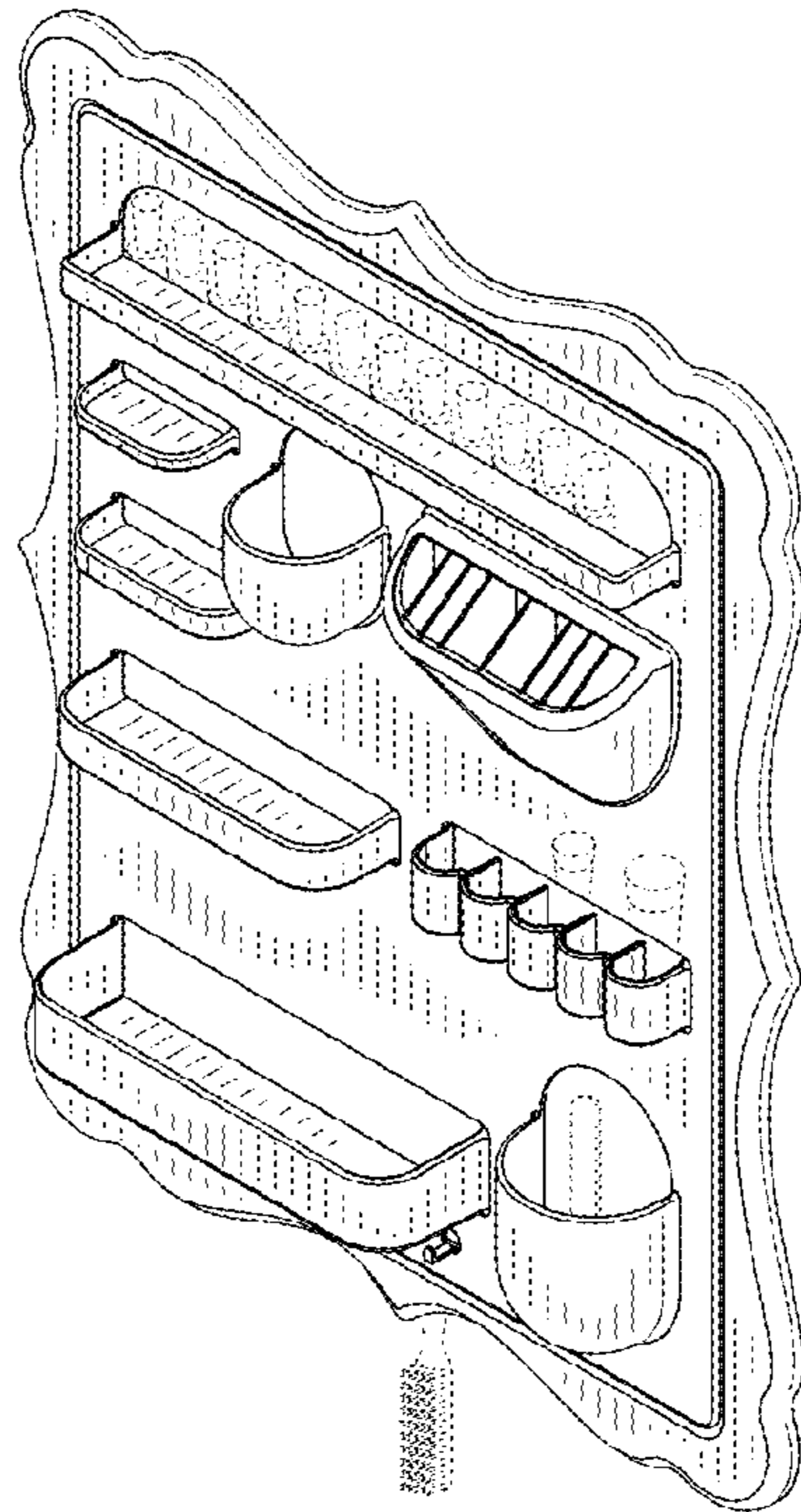


FIG. 1

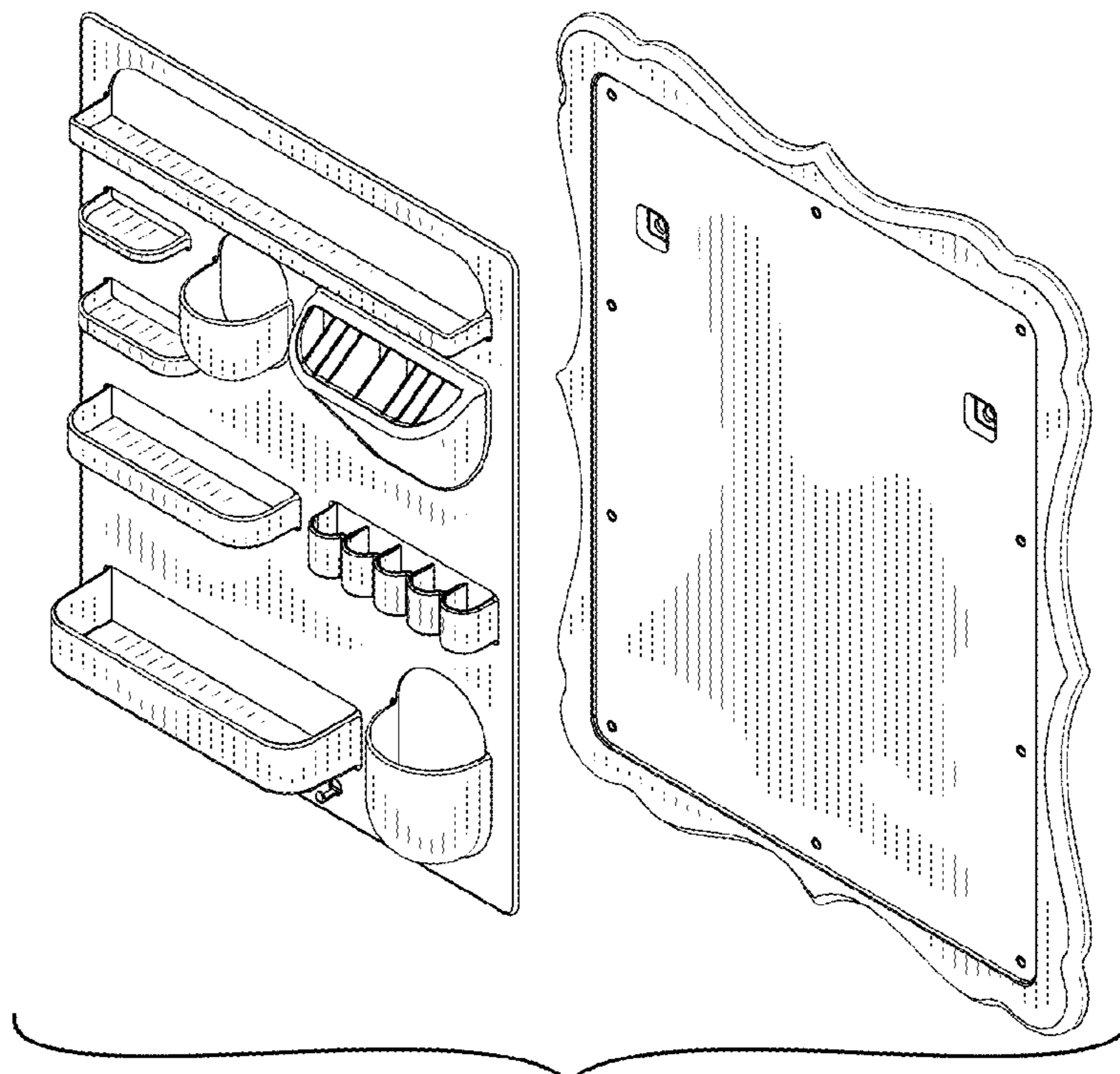


FIG. 2

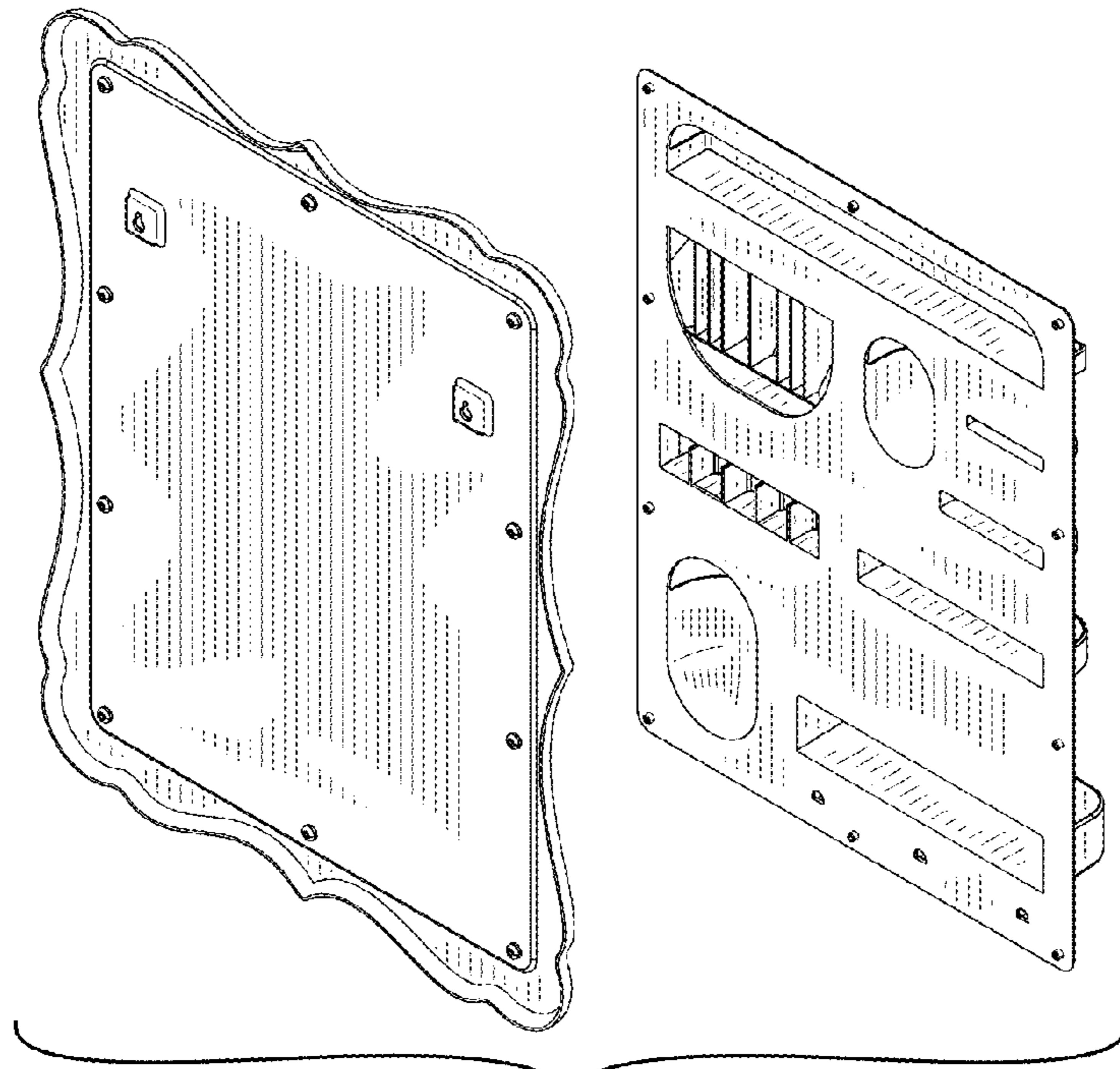


FIG. 3

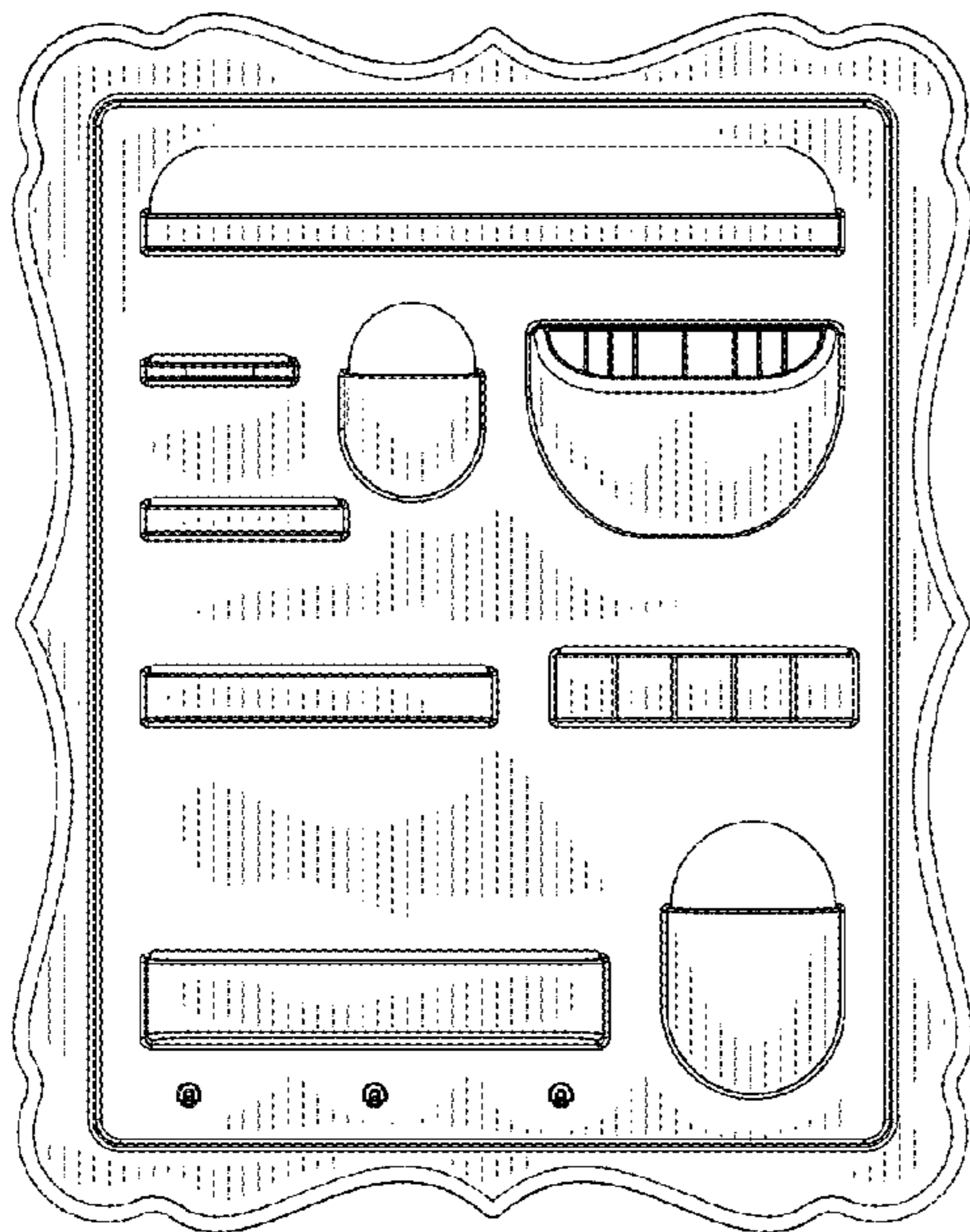


FIG. 4

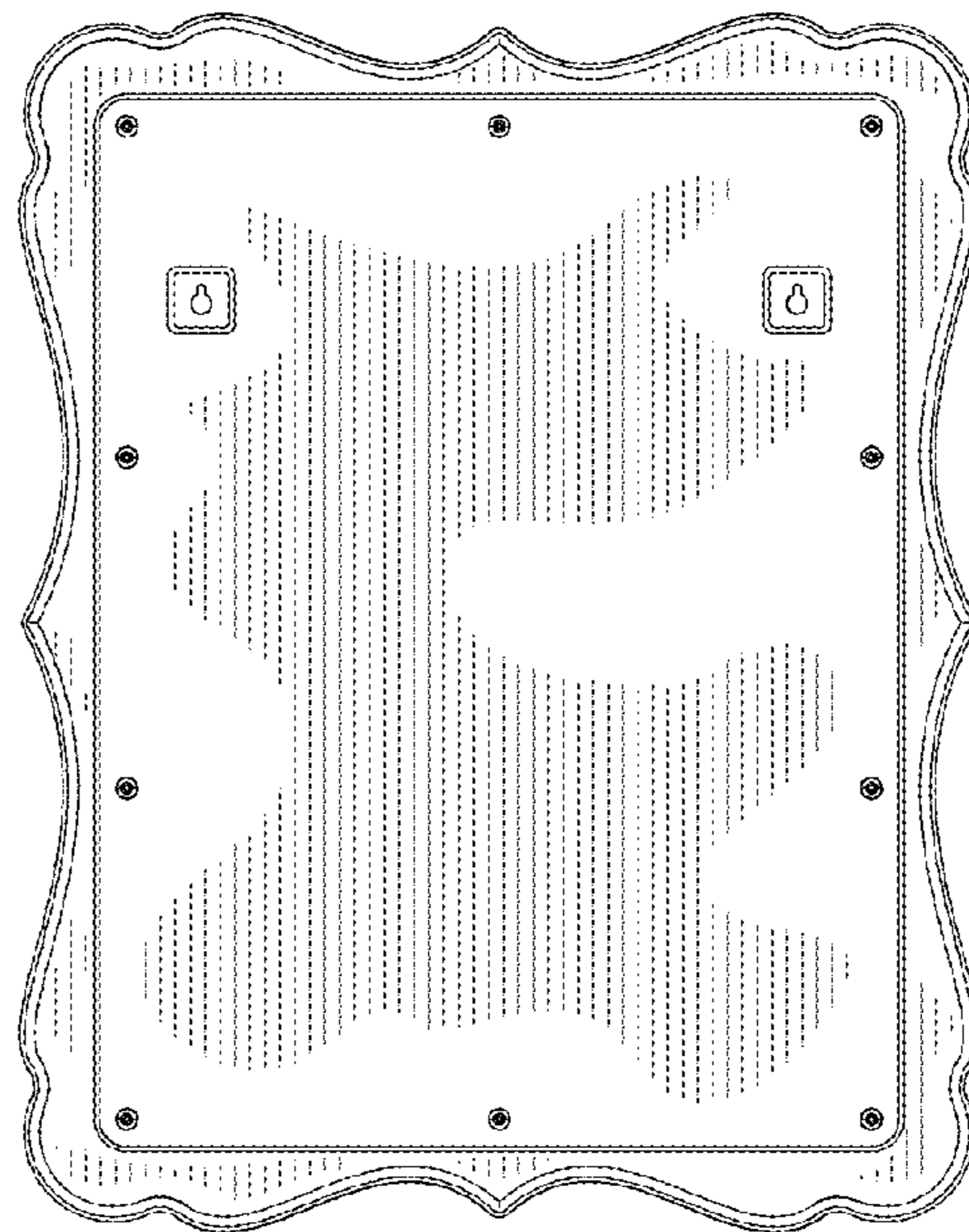


FIG. 5

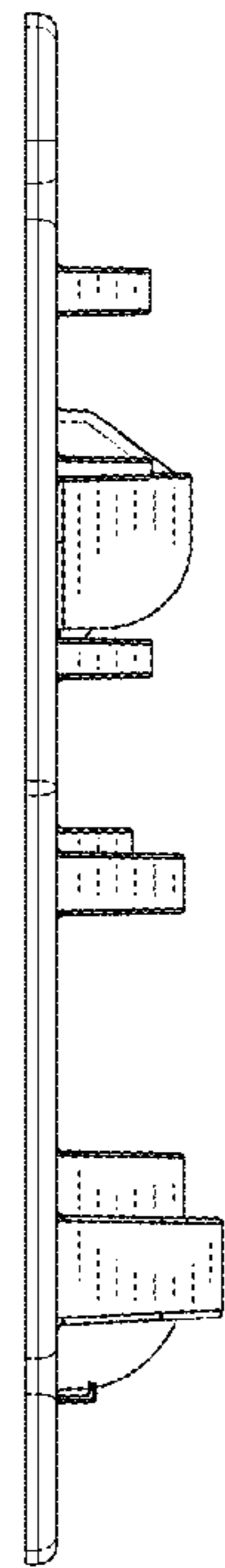


FIG. 6

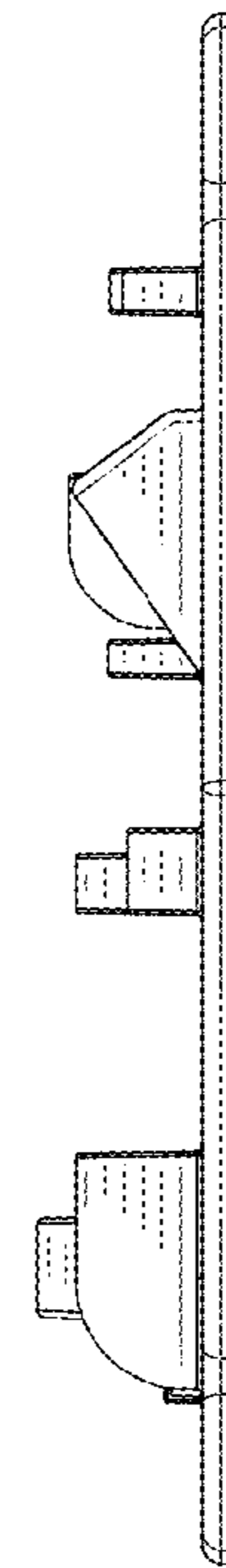


FIG. 7

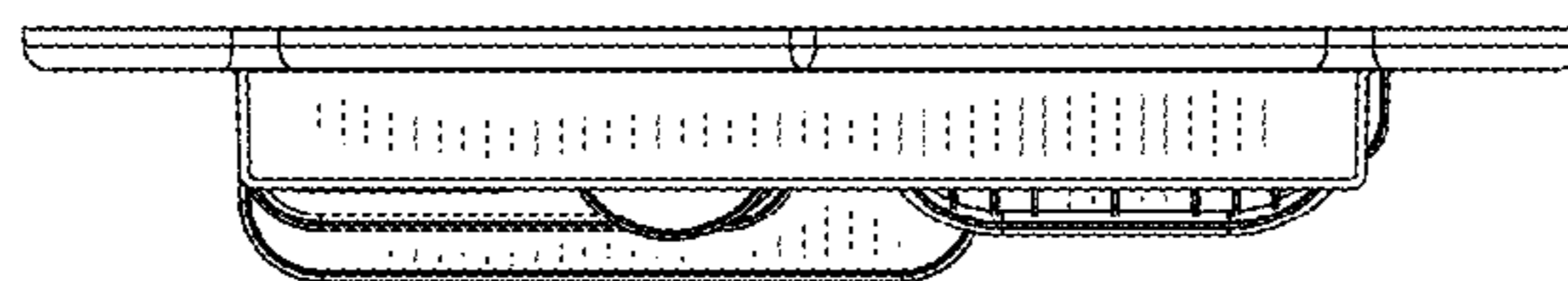


FIG. 8

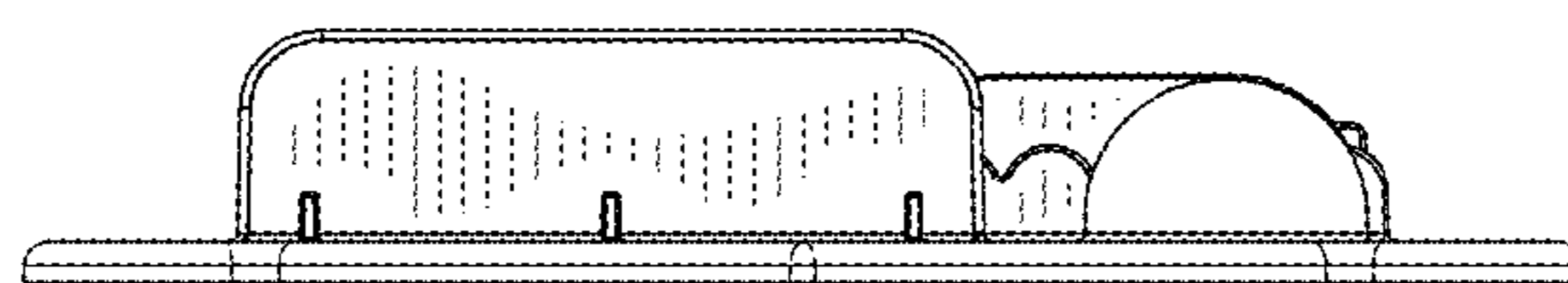


FIG. 9