



US00D701993S

(12) **United States Design Patent**
Wu

(10) **Patent No.:** **US D701,993 S**
(45) **Date of Patent:** **** Apr. 1, 2014**

(54) **VEHICLE TAILLIGHT LENS**

(71) Applicant: **Coplus Inc.**, Tainan (TW)

(72) Inventor: **Hua-Chi Wu**, Tainan (TW)

(73) Assignee: **Coplus Inc.**, Tainan (TW)

(**) Term: **14 Years**

(21) Appl. No.: **29/452,435**

(22) Filed: **Apr. 16, 2013**

(51) **LOC (10) Cl.** **26-99**

(52) **U.S. Cl.**
USPC **D26/139**

(58) **Field of Classification Search**
USPC D26/28-36, 139; 362/459-468,
362/475-478, 485-487

See application file for complete search history.

(56) **References Cited**

U.S. PATENT DOCUMENTS

D316,461 S * 4/1991 McGlothlin D26/139
D318,537 S * 7/1991 Allman D26/139

D364,704 S * 11/1995 Alger D26/139
D387,469 S * 12/1997 Saleen D26/139
D632,424 S * 2/2011 Fesler et al. D26/139
D640,826 S * 6/2011 Beigel et al. D26/139
D660,507 S * 5/2012 Davidson et al. D26/139

* cited by examiner

Primary Examiner — Marcus Jackson

(74) *Attorney, Agent, or Firm* — Christie, Parker & Hale, LLP

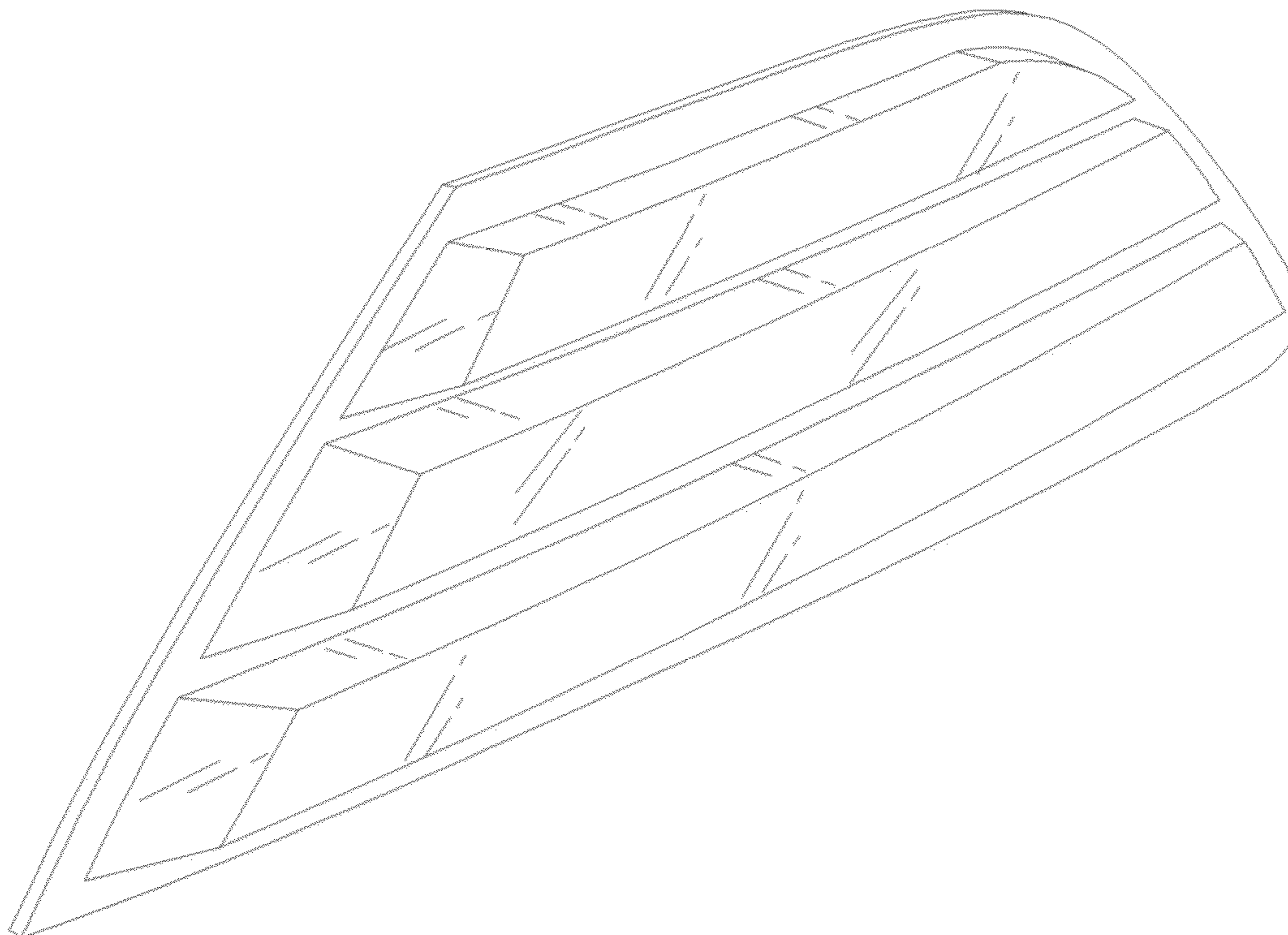
(57) **CLAIM**

The ornamental design for a vehicle taillight lens, as shown and described.

DESCRIPTION

FIG. 1 is a front perspective view of the vehicle taillight lens; FIG. 2 is a front view thereof; FIG. 3 is a rear view thereof; FIG. 4 is a left side view thereof; FIG. 5 is a right side view thereof; FIG. 6 is a top view thereof; and, FIG. 7 is a bottom view thereof.

1 Claim, 4 Drawing Sheets



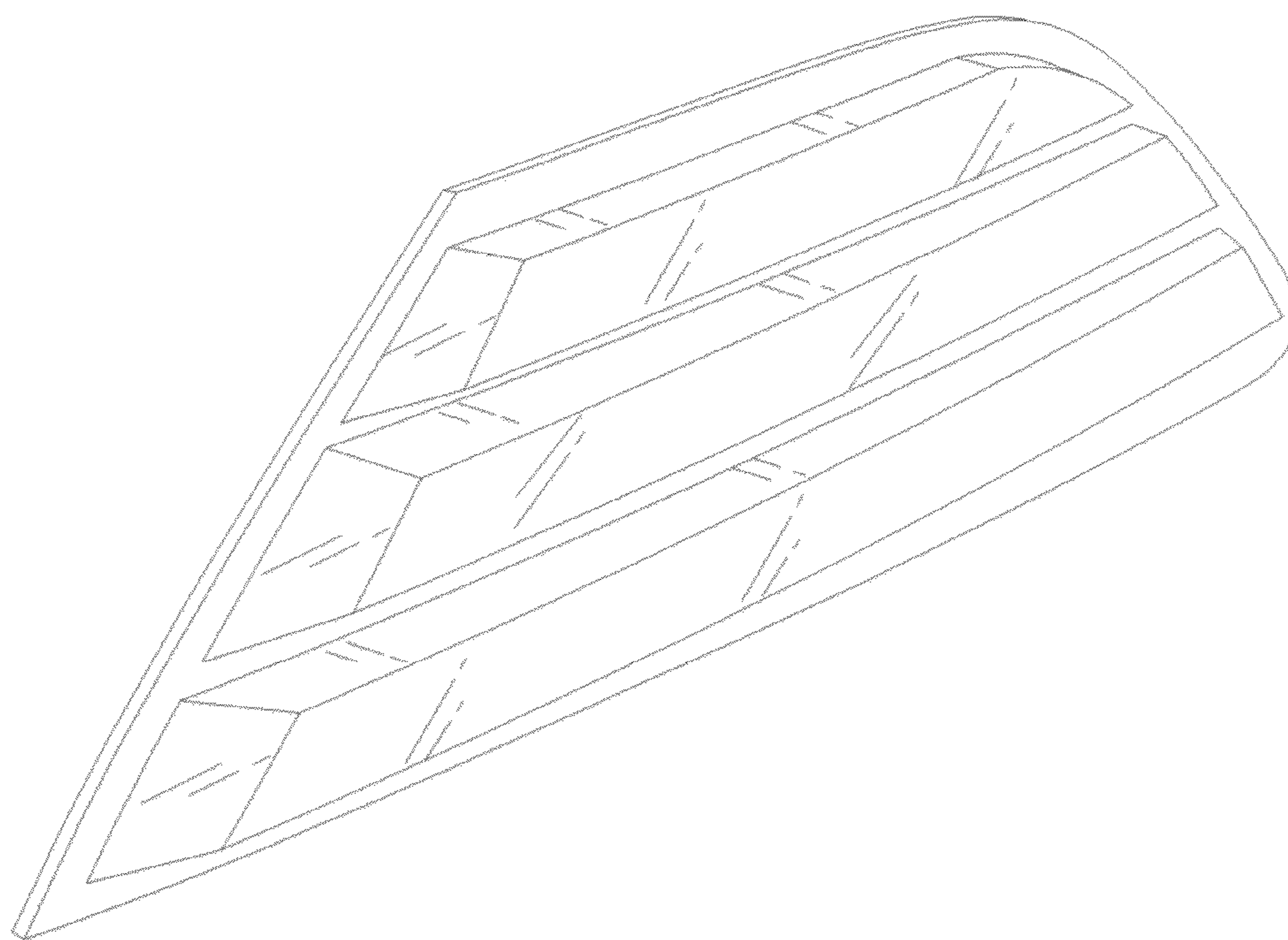


FIG. 1

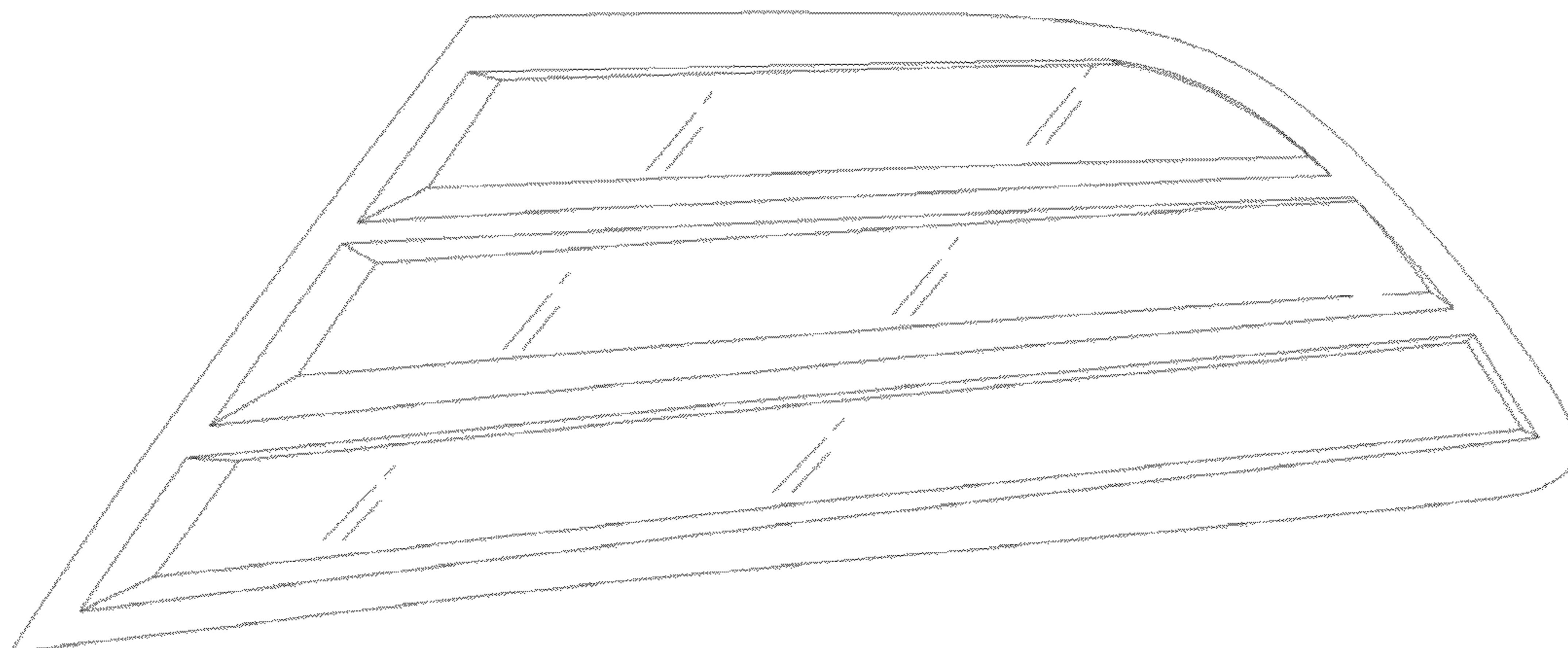


FIG. 2

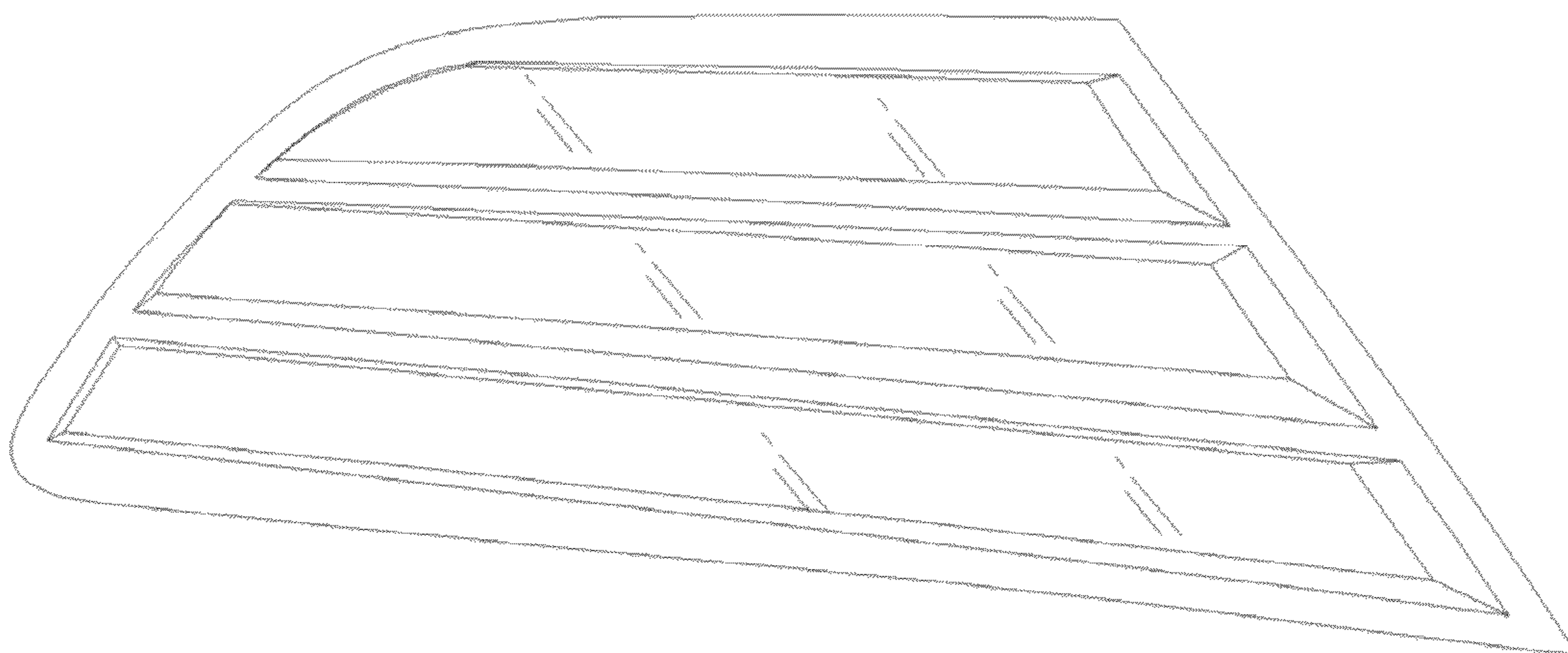


FIG. 3

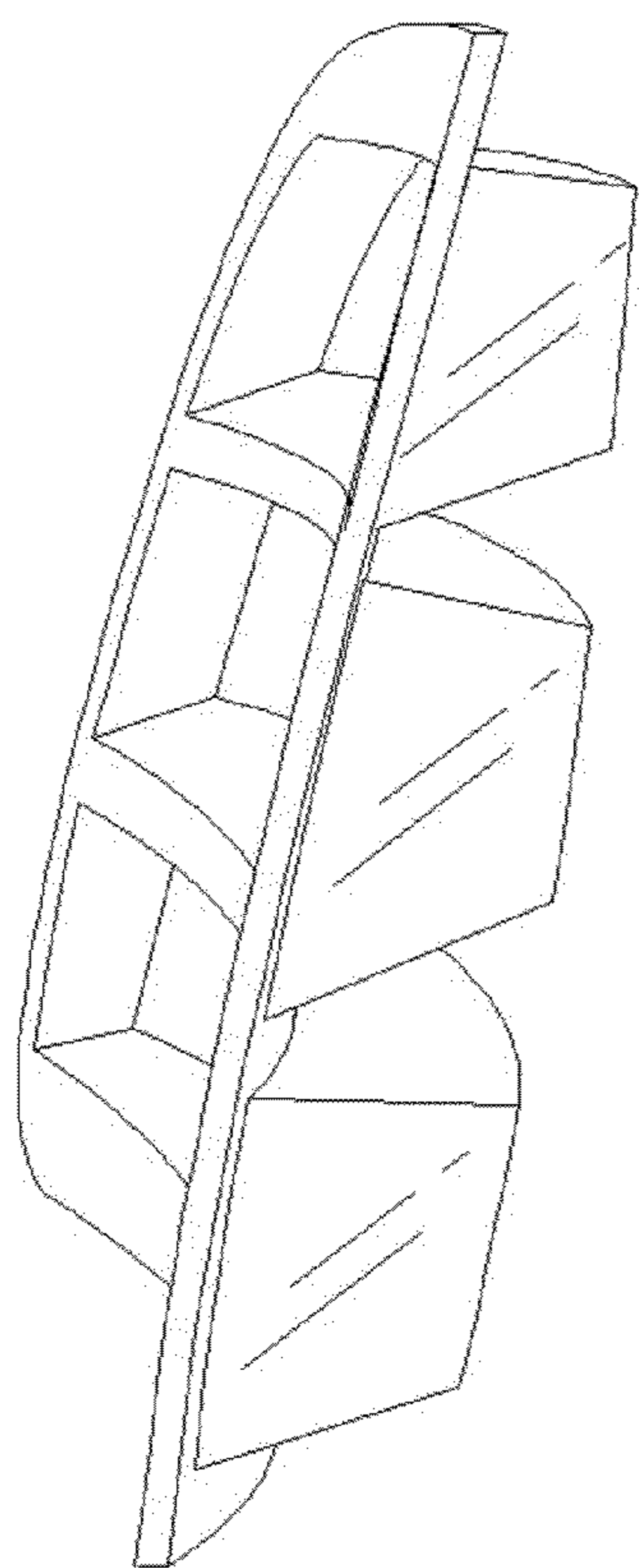


FIG. 4

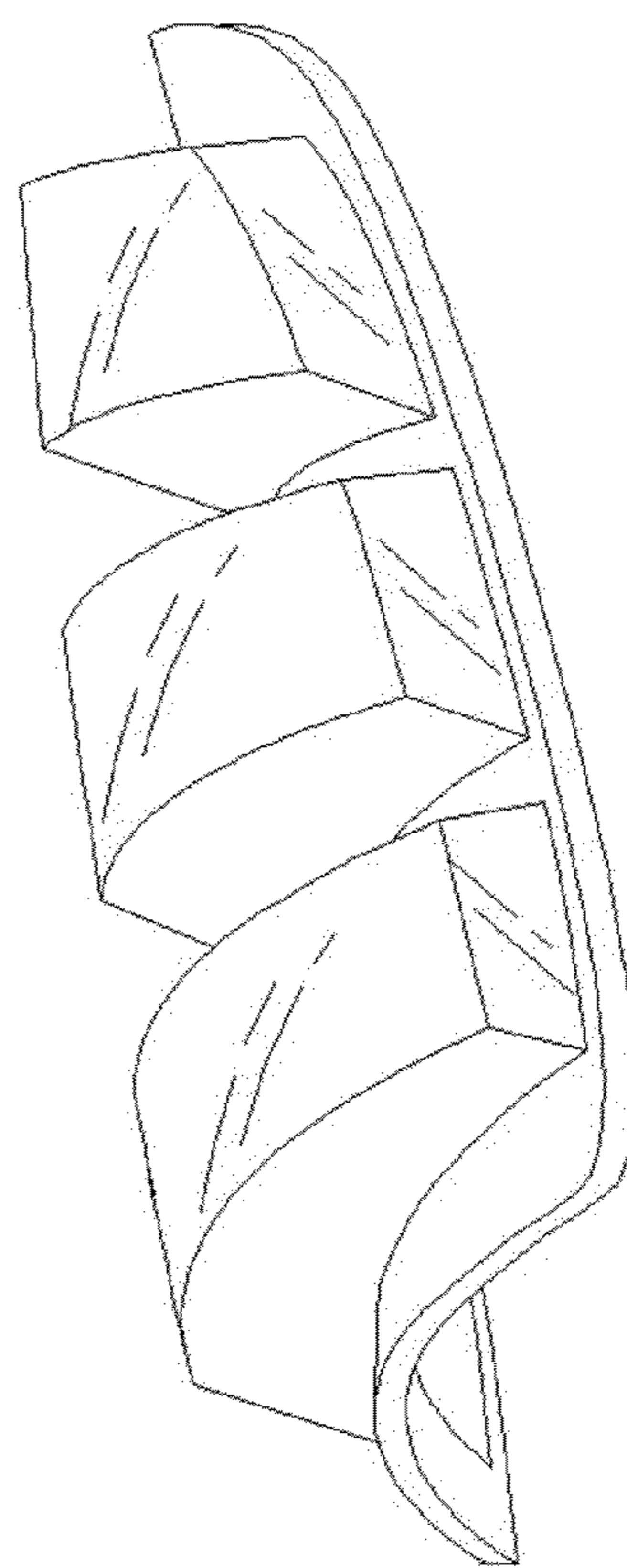


FIG. 5

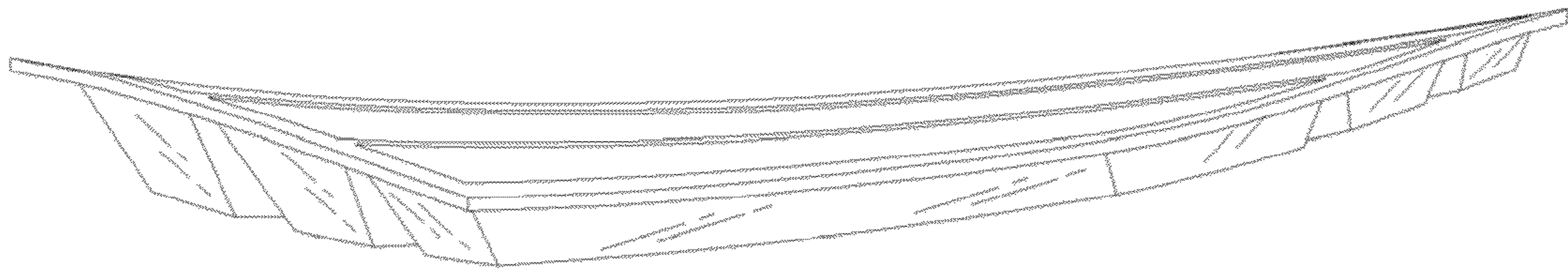


FIG. 6

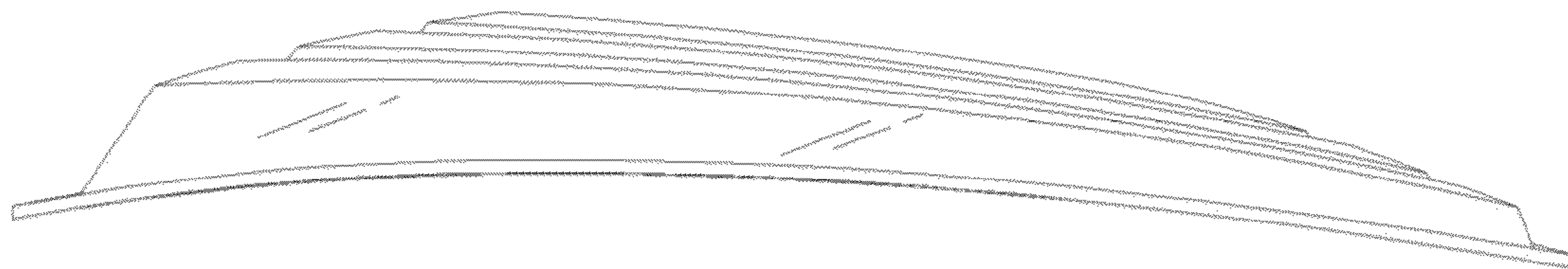


FIG. 7