



US00D701991S

(12) **United States Design Patent**  
**Blum et al.**

(10) **Patent No.:** **US D701,991 S**  
(45) **Date of Patent:** **\*\* Apr. 1, 2014**

(54) **LUMINAIRE**

(71) Applicant: **ABL IP Holding, LLC**, Conyers, GA (US)

(72) Inventors: **Darren Blum**, San Mateo, CA (US);  
**Michael Trung Tran**, Oakland, CA (US); **Peter Y. Y. Ngai**, Alamo, CA (US);  
**Min-Hao Michael Lu**, Castro Valley, CA (US)

(73) Assignee: **ABL IP Holding, LLC**, Conyers, GA (US)

(\*\*) Term: **14 Years**

(21) Appl. No.: **29/444,819**

(22) Filed: **Feb. 4, 2013**

(51) **LOC (10) Cl.** ..... **26-03**

(52) **U.S. Cl.**  
USPC ..... **D26/90; D26/91**

(58) **Field of Classification Search**  
USPC ..... D26/72, 80-84, 88-91, 118, 120;  
362/147, 249.01, 249.02, 249.16, 294,  
362/404-408, 373  
See application file for complete search history.

(56) **References Cited**

**U.S. PATENT DOCUMENTS**

D166,671	S	*	5/1952	Jernigan	.....	D26/88
4,924,366	A	*	5/1990	Shemitz et al.	.....	362/249.01
D468,475	S	*	1/2003	De Lucchi	.....	D26/90
D586,934	S	*	2/2009	Ogashiwa	.....	D26/63
D595,446	S	*	6/2009	Pedersen	.....	D26/84
D599,948	S	*	9/2009	Armbruster	.....	D26/91
D618,842	S	*	6/2010	Ngai et al.	.....	D26/88
D622,894	S	*	8/2010	Ngai et al.	.....	D26/88
D623,795	S	*	9/2010	Ngai et al.	.....	D26/88
D634,056	S	*	3/2011	Hokazono et al.	.....	D26/89

D635,709	S	*	4/2011	Federico et al.	.....	D26/84
D635,711	S	*	4/2011	Scutella'	.....	D26/88
D643,566	S	*	8/2011	Hickok et al.	.....	D26/88
D645,196	S	*	9/2011	Hickok	.....	D26/88
D661,421	S	*	6/2012	Hor et al.	.....	D26/84
D666,354	S	*	8/2012	Bracher	.....	D26/143
D675,772	S	*	2/2013	Tran et al.	.....	D26/120
D675,773	S	*	2/2013	Blum et al.	.....	D26/120
D679,858	S	*	4/2013	Tran et al.	.....	D26/120
D681,254	S	*	4/2013	Blum et al.	.....	D26/83
D683,884	S	*	6/2013	Kim et al.	.....	D26/84
D683,885	S	*	6/2013	Kim et al.	.....	D26/84
2010/0165627	A1	*	7/2010	Wung et al.	.....	362/249.02

\* cited by examiner

*Primary Examiner* — Clare E Heflin

(74) *Attorney, Agent, or Firm* — Donald L. Beeson; Beeson Skinner Beverly, LLP

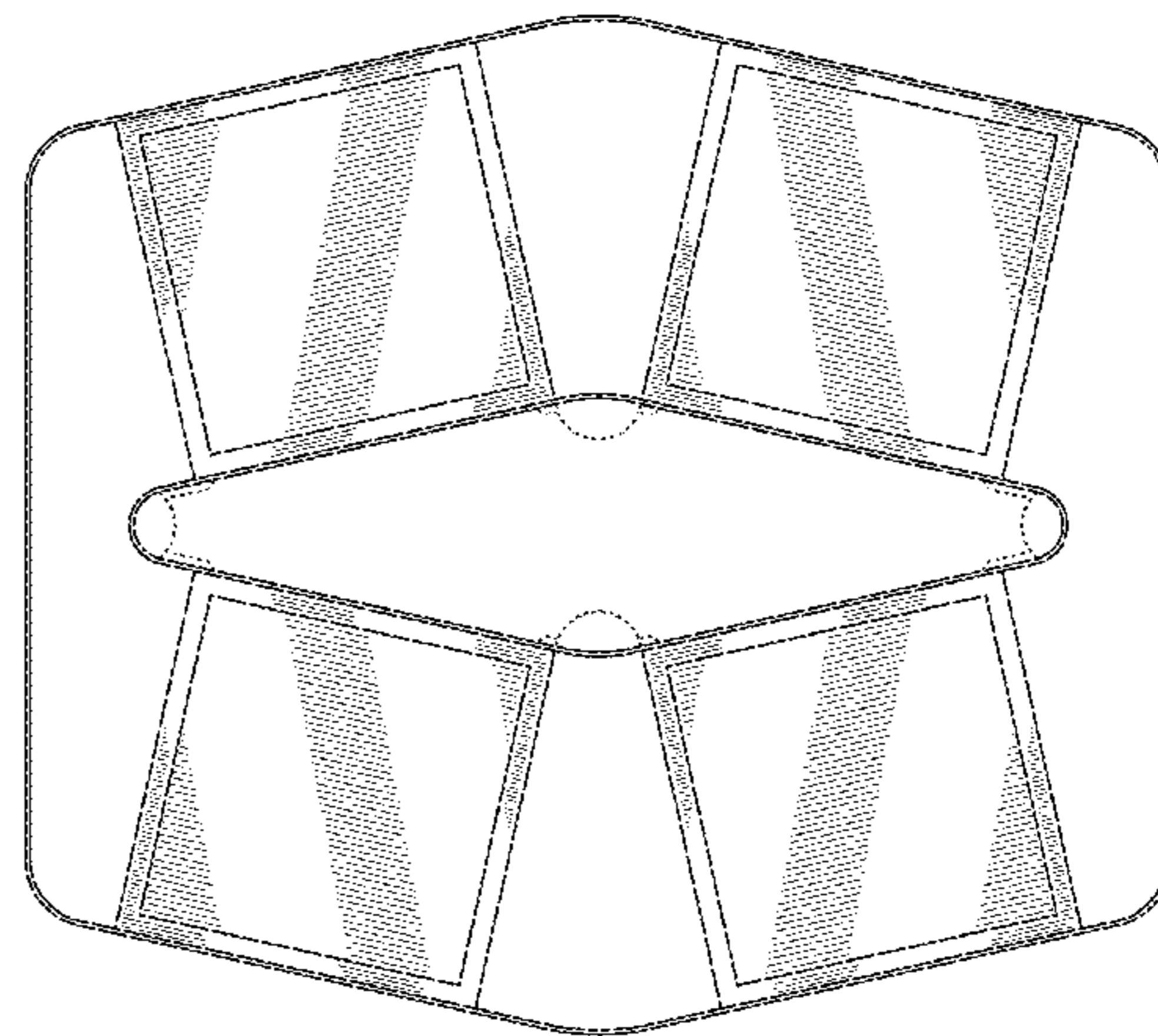
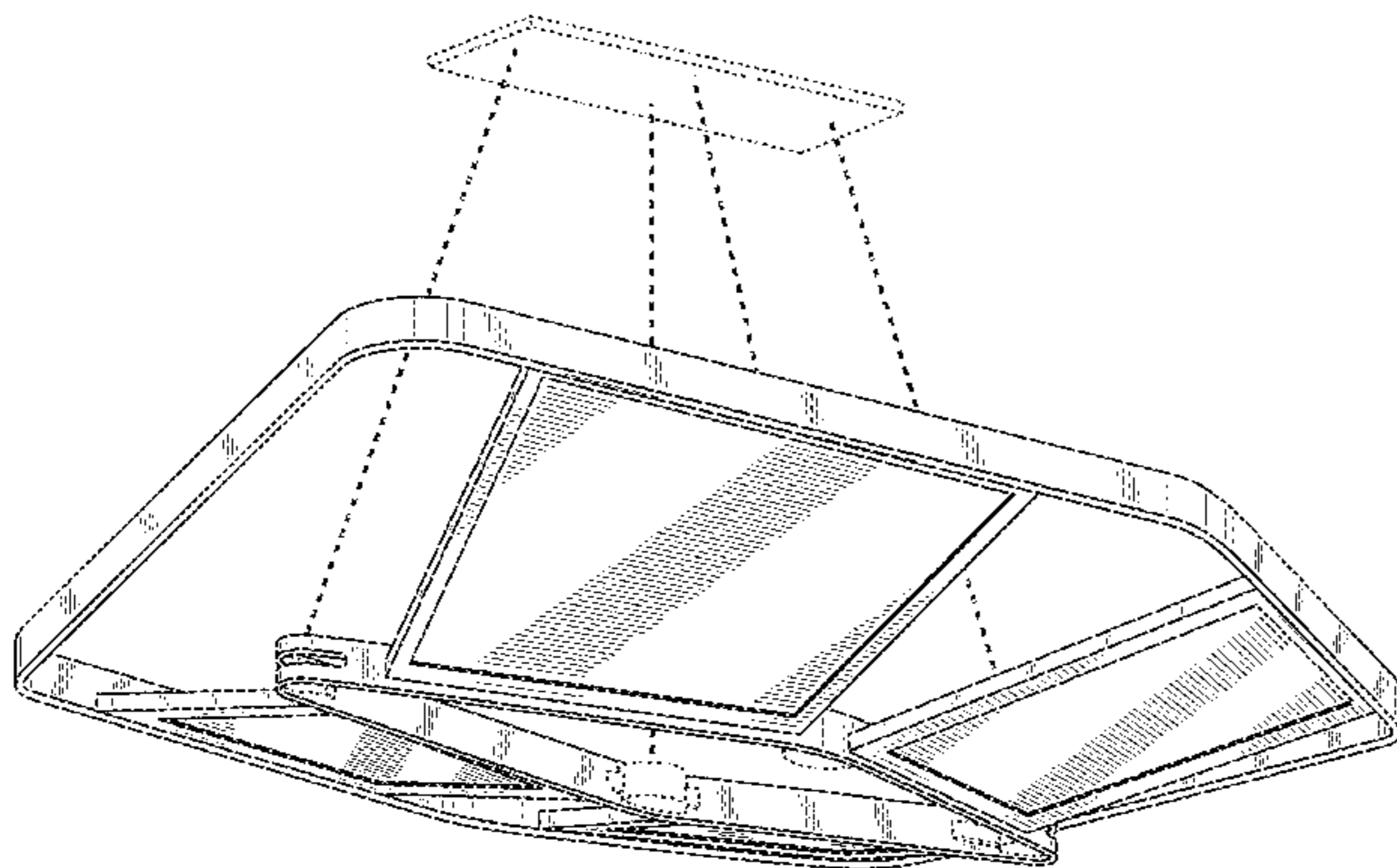
(57) **CLAIM**

The ornamental design for a luminaire, as shown and described.

**DESCRIPTION**

FIG. 1 is a bottom perspective view of a luminaire showing our new design;  
FIG. 2 is a front elevational view thereof, the rear being a mirror image;  
FIG. 3 is a left side elevational view thereof, the right side being a mirror image;  
FIG. 4 is bottom plan view thereof;  
FIG. 5 is a top plan view thereof;  
FIG. 6 is a cross-sectional view thereof taken along lines 6-6 in FIG. 5; and,  
FIG. 7 is a cross-sectional view thereof taken along lines 7-7 in FIG. 5.  
The broken lines are directed to environment and form no part of the claimed design.

**1 Claim, 7 Drawing Sheets**



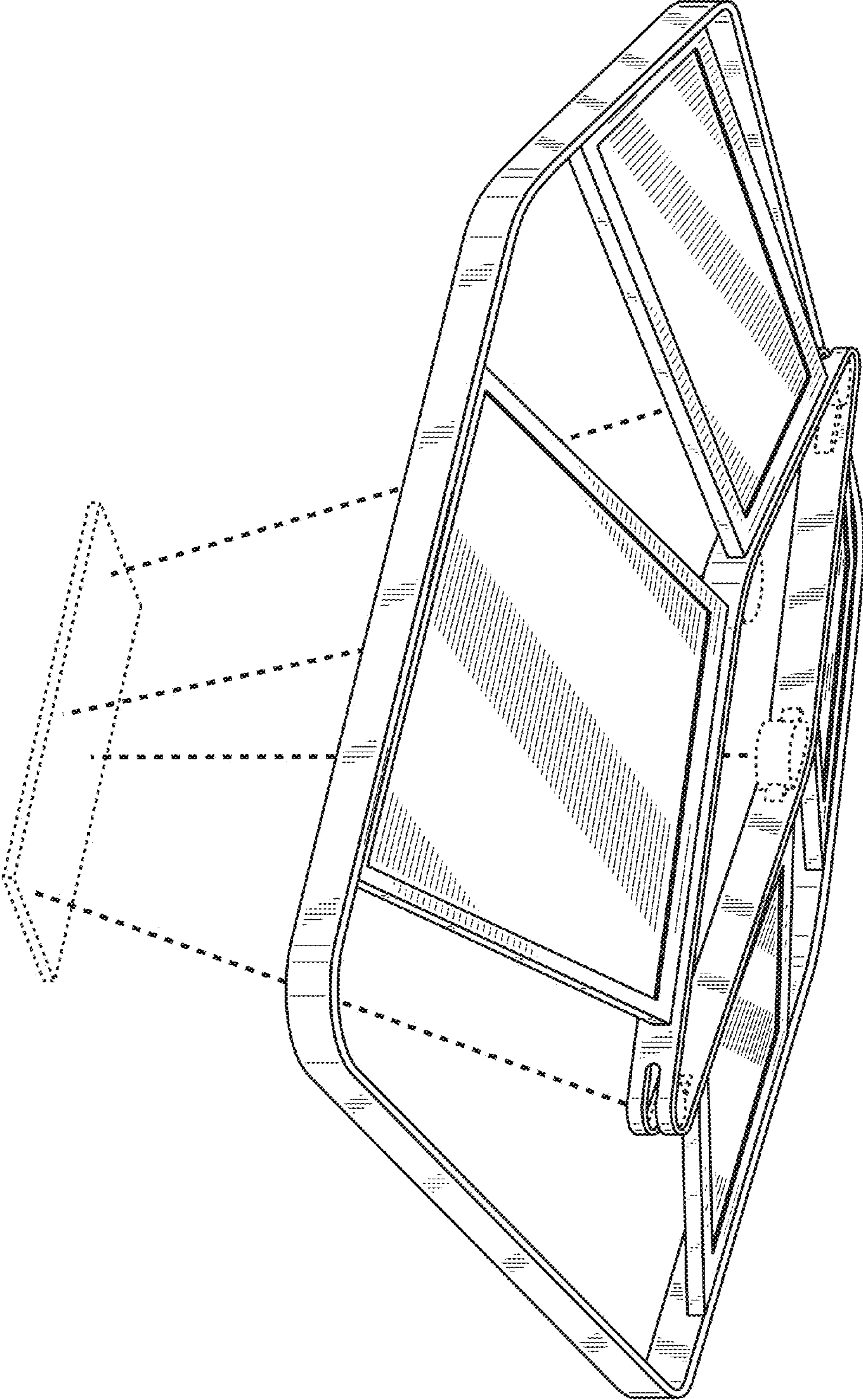


FIG. 1

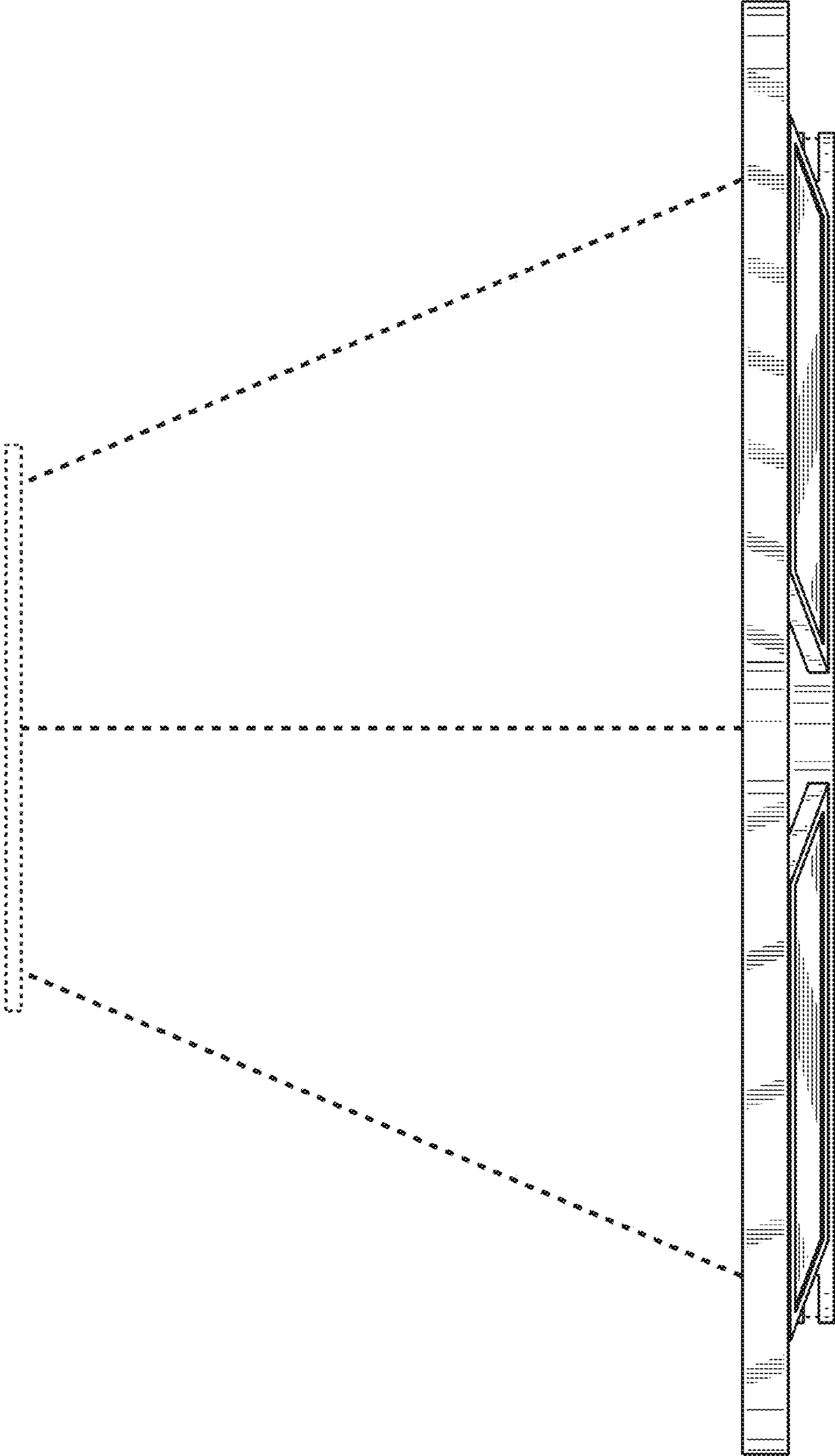


FIG. 2

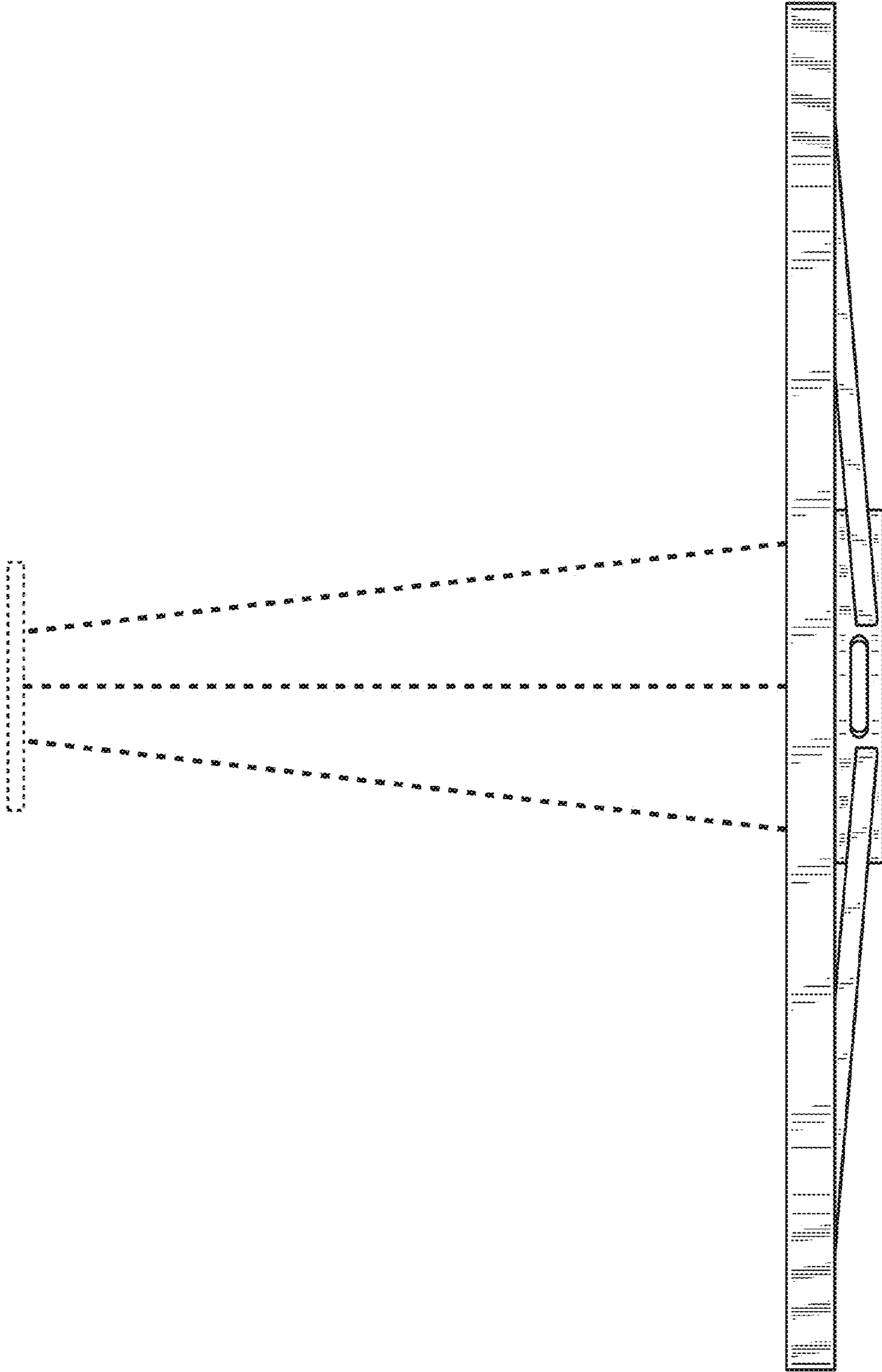


FIG. 3

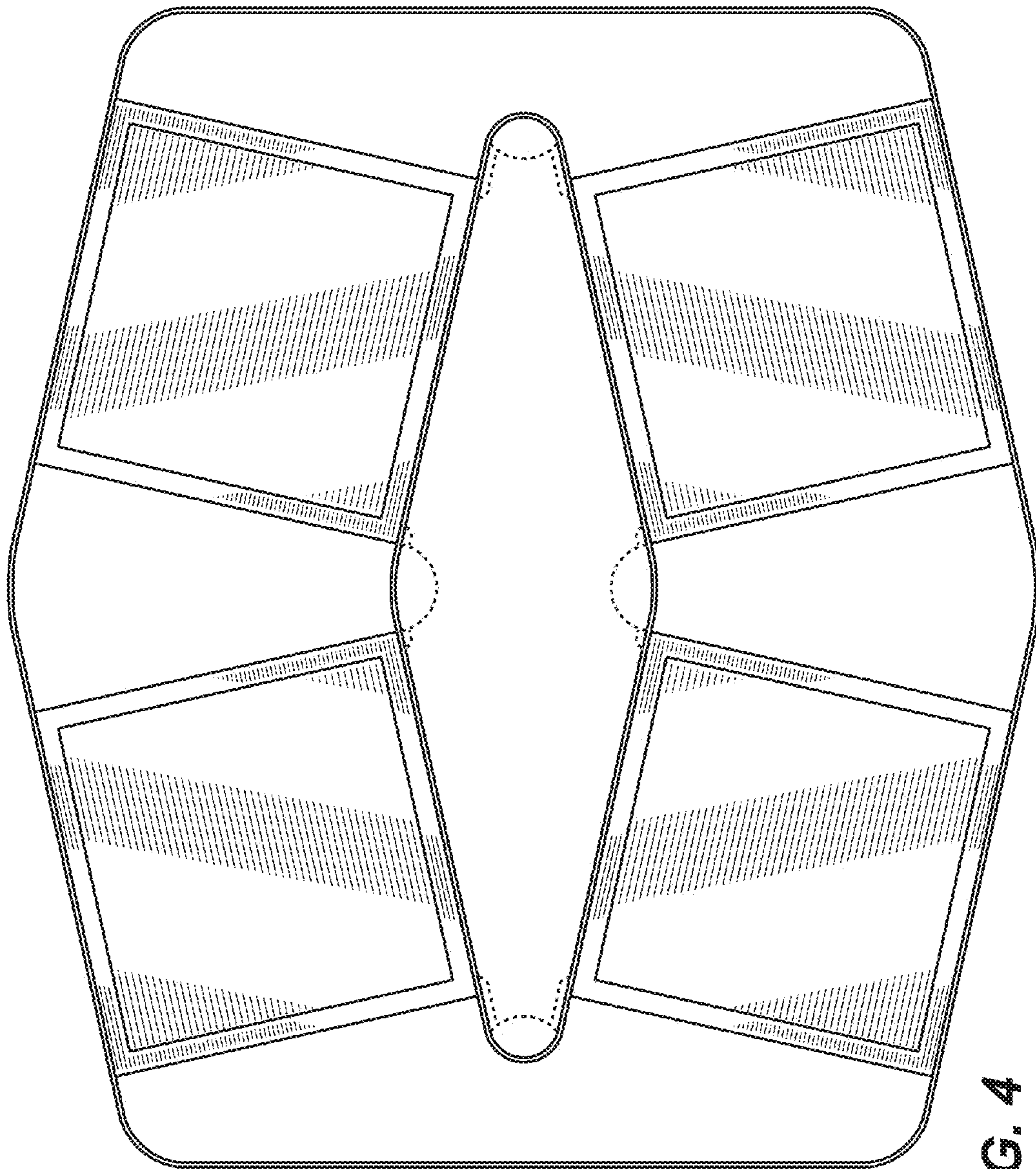


FIG. 4

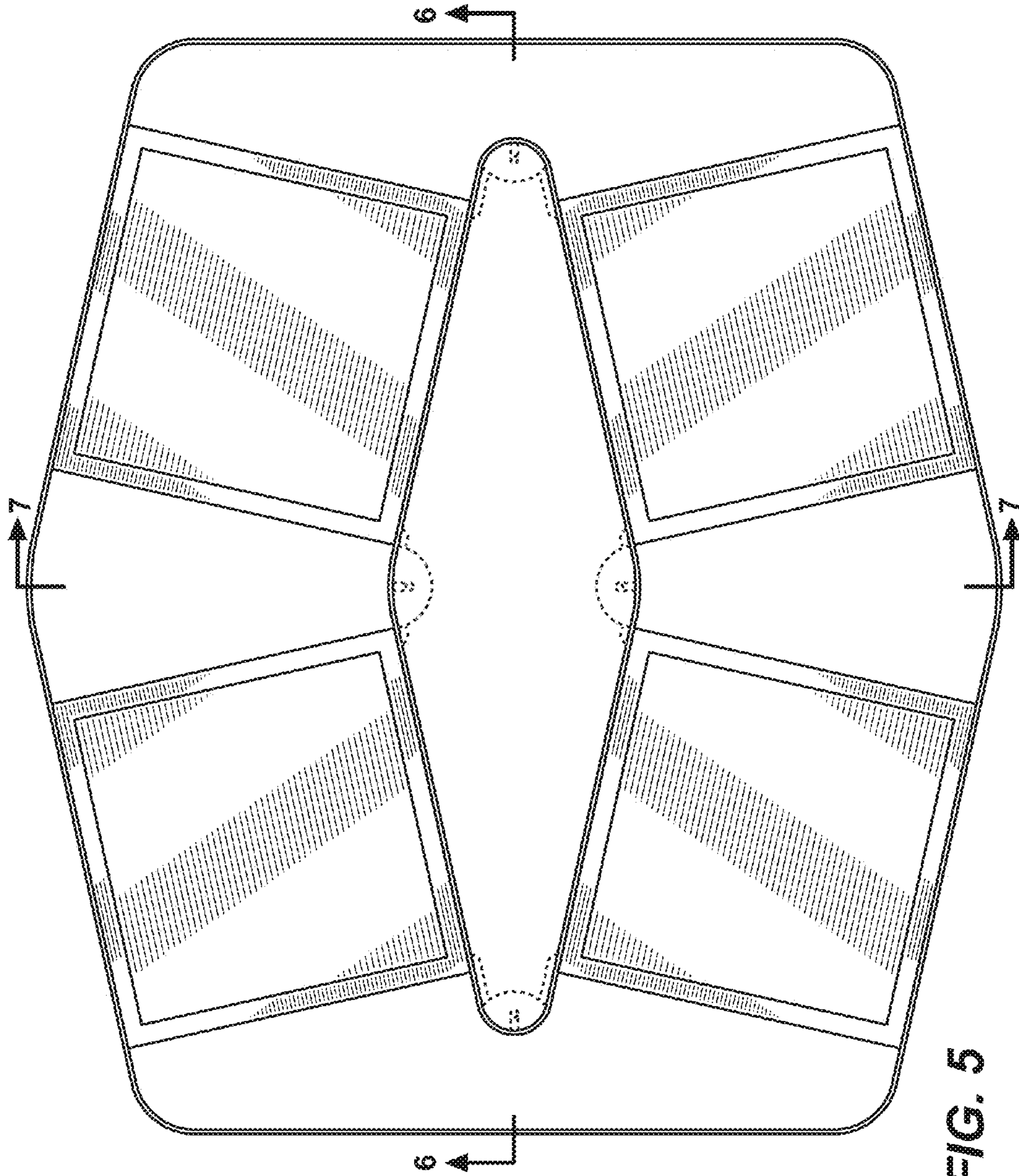


FIG. 5

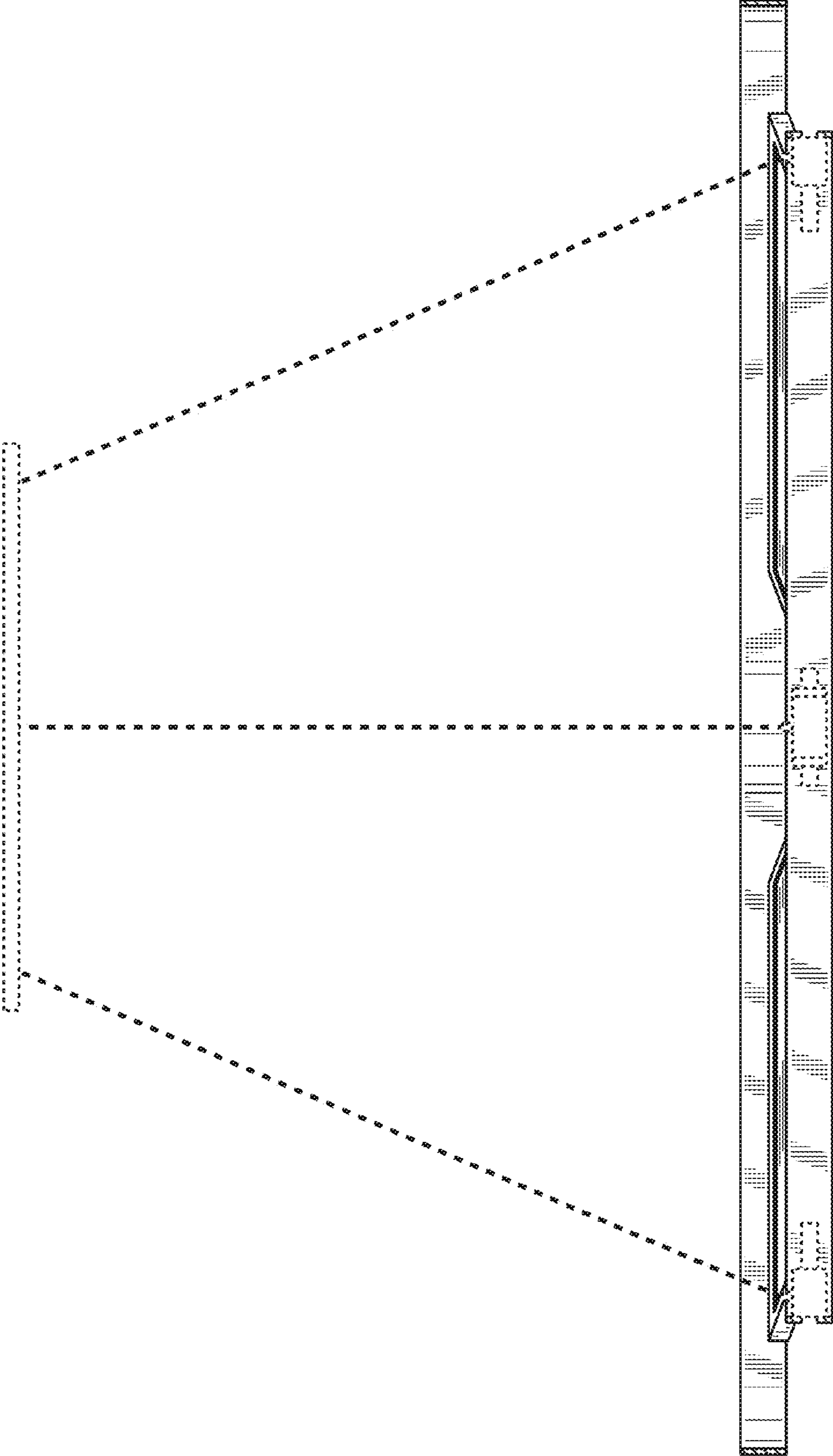


FIG. 6

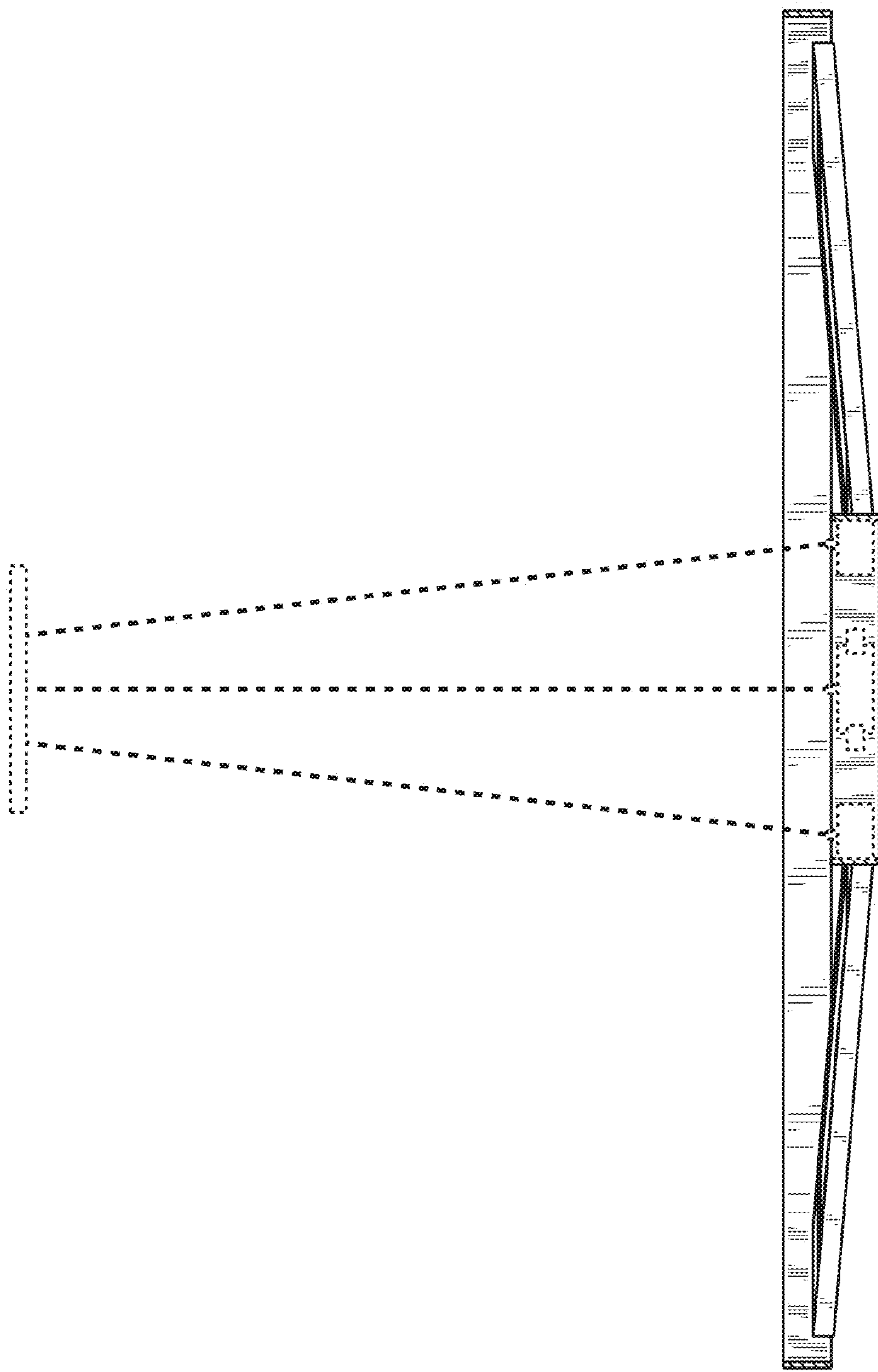


FIG. 7