



US00D701989S

(12) **United States Design Patent**
Rodgers et al.

(10) **Patent No.:** **US D701,989 S**
(45) **Date of Patent:** **** Apr. 1, 2014**

(54) **LED TROFFER LAMP**

(71) Applicant: **Cree, Inc.**, Durham, NC (US)
(72) Inventors: **Elizabeth Rodgers**, Raleigh, NC (US);
Heidi Dieringer Loepp, Cary, NC (US);
Yaote Huang, Morrisville, NC (US)

(73) Assignee: **Cree, Inc.**, Durham, NC (US)

(**) Term: **14 Years**

(21) Appl. No.: **29/439,562**

(22) Filed: **Dec. 12, 2012**

(51) **LOC (10) Cl.** **26-03**

(52) **U.S. Cl.**
USPC **D26/76**

(58) **Field of Classification Search**
USPC D26/1-3, 24, 56, 72, 74-86, 88-91;
D13/180, 182; 362/150,
362/217.01-217.05, 217.08, 217.09, 260,
362/364, 365, 366, 404, 555, 576, 800
See application file for complete search history.

(56) **References Cited**

U.S. PATENT DOCUMENTS

D459,012 S *	6/2002	Shemitz et al.	D26/76
D487,527 S *	3/2004	Sieczkowski	D26/76
D594,999 S *	6/2009	Uchida et al.	D26/3
D603,089 S *	10/2009	Uchida et al.	D26/138
D626,267 S *	10/2010	Ng	D26/76
D633,642 S *	3/2011	Wauters	D26/85
D647,241 S *	10/2011	Takahashi et al.	D26/76
D655,025 S *	2/2012	Diekmann et al.	D26/3

OTHER PUBLICATIONS

U.S. Appl. No. 12/873,303, filed Aug. 31, 2010.

* cited by examiner

Primary Examiner — Zenia Bennett

(74) *Attorney, Agent, or Firm* — Dennis J. Williamson;
Moore & Van Allen PLLC

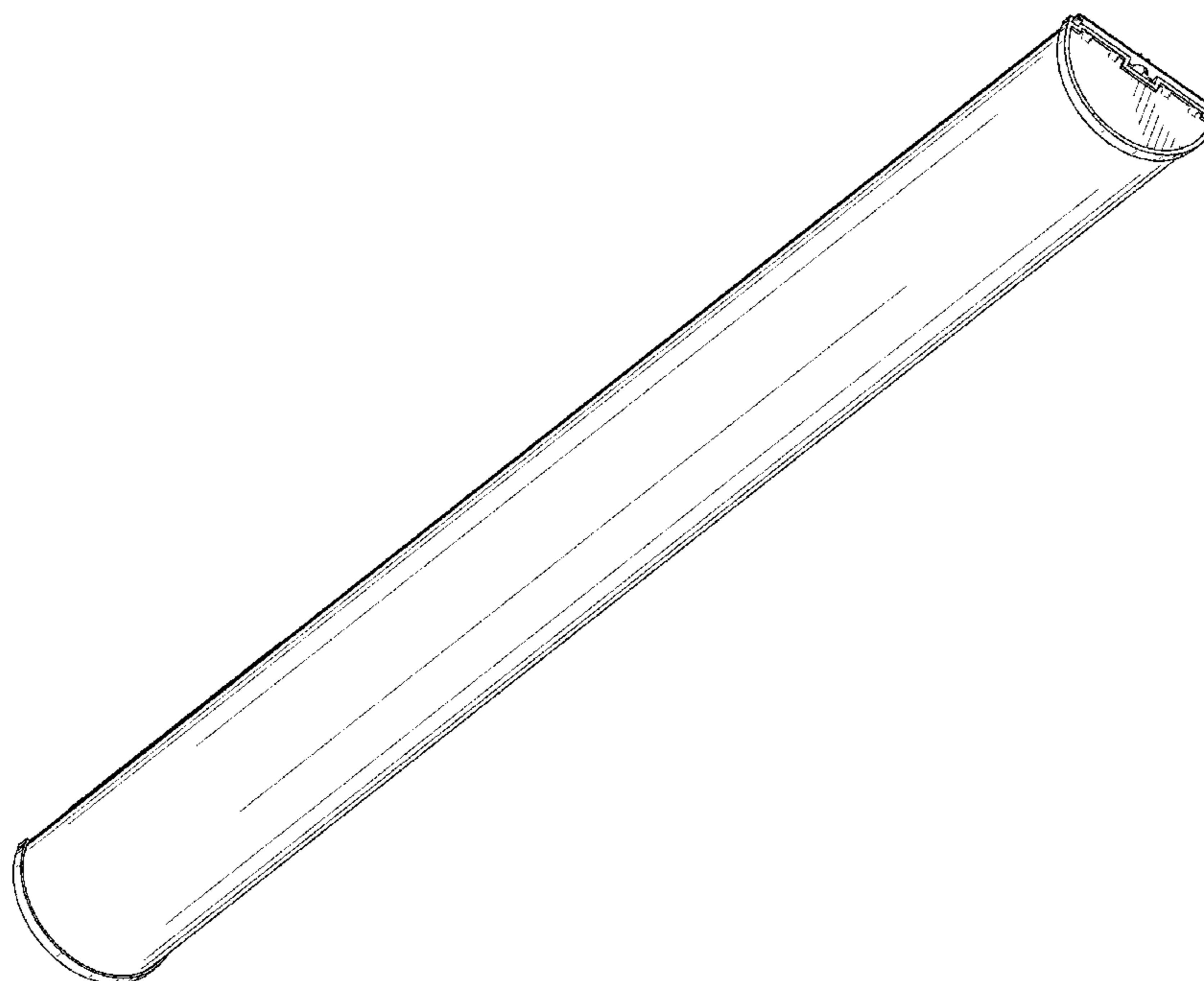
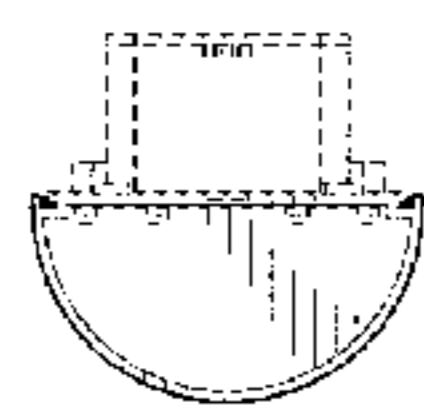
(57) **CLAIM**

We claim the ornamental designs for a LED troffer lamp, as shown and described.

DESCRIPTION

FIG. 1 is a front view showing our new design for a LED troffer lamp;
FIG. 2 is a right side view showing our new design shown in FIG. 1;
FIG. 3 is a left side view showing our new design shown in FIG. 1;
FIG. 4 is a back view showing our new design shown in FIG. 1;
FIG. 5 is a top view showing our new design shown in FIG. 1;
FIG. 6 is a bottom view showing our new design shown in FIG. 1; and,
FIG. 7 is a perspective view showing our new design shown in FIG. 1.
The portions shown in broken lines are not part of the claimed design but show the environment in which the design is associated.

1 Claim, 6 Drawing Sheets



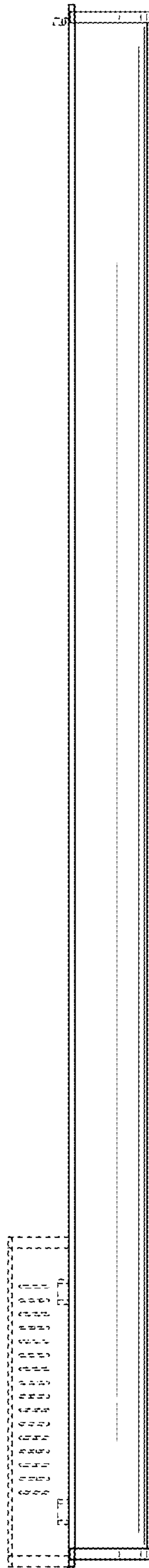


FIG. 1

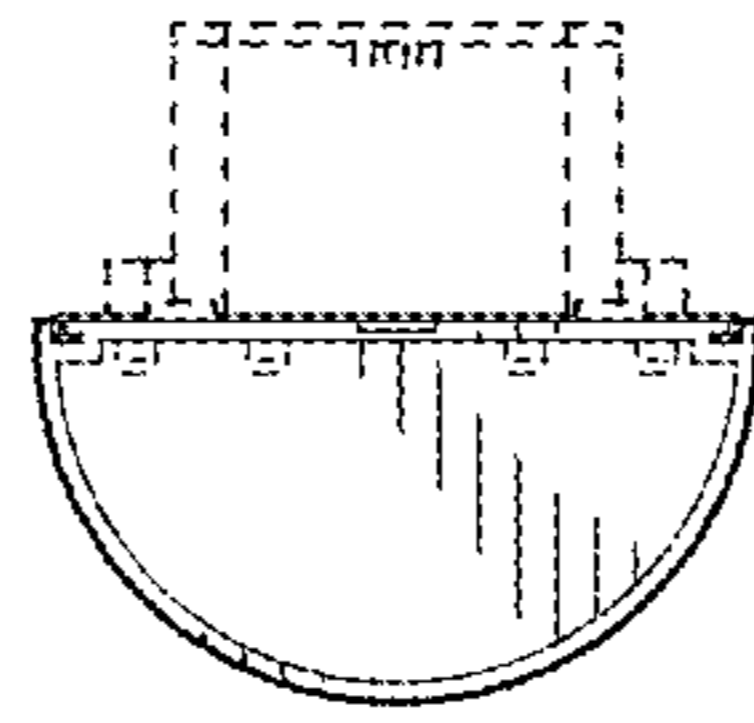


FIG. 2

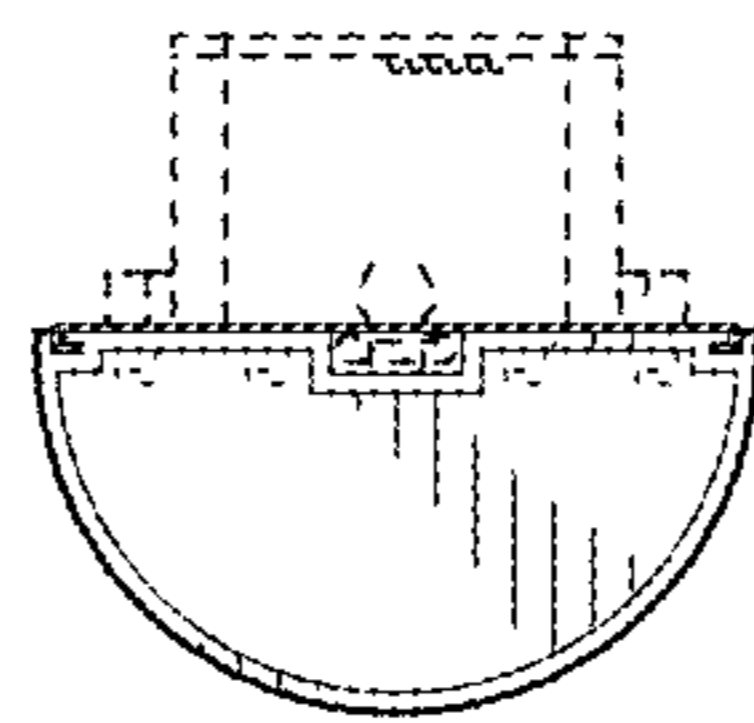


FIG. 3

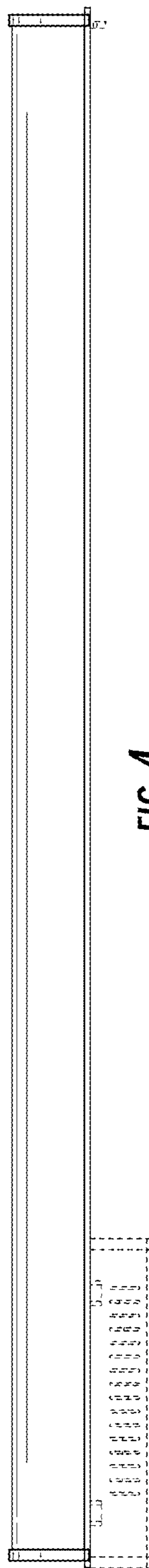


FIG. 4

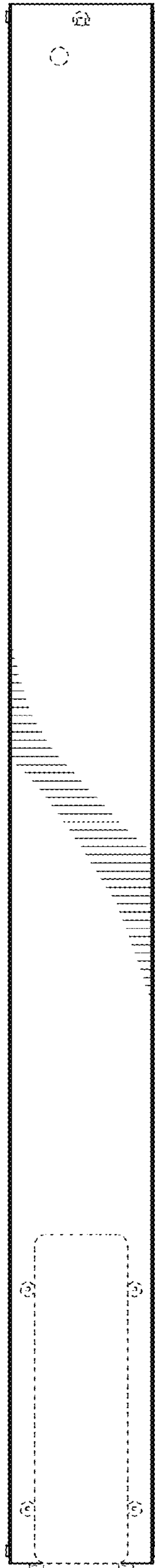


FIG. 5

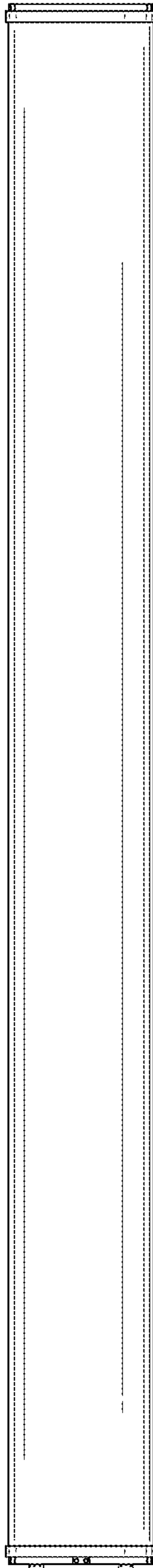


FIG. 6

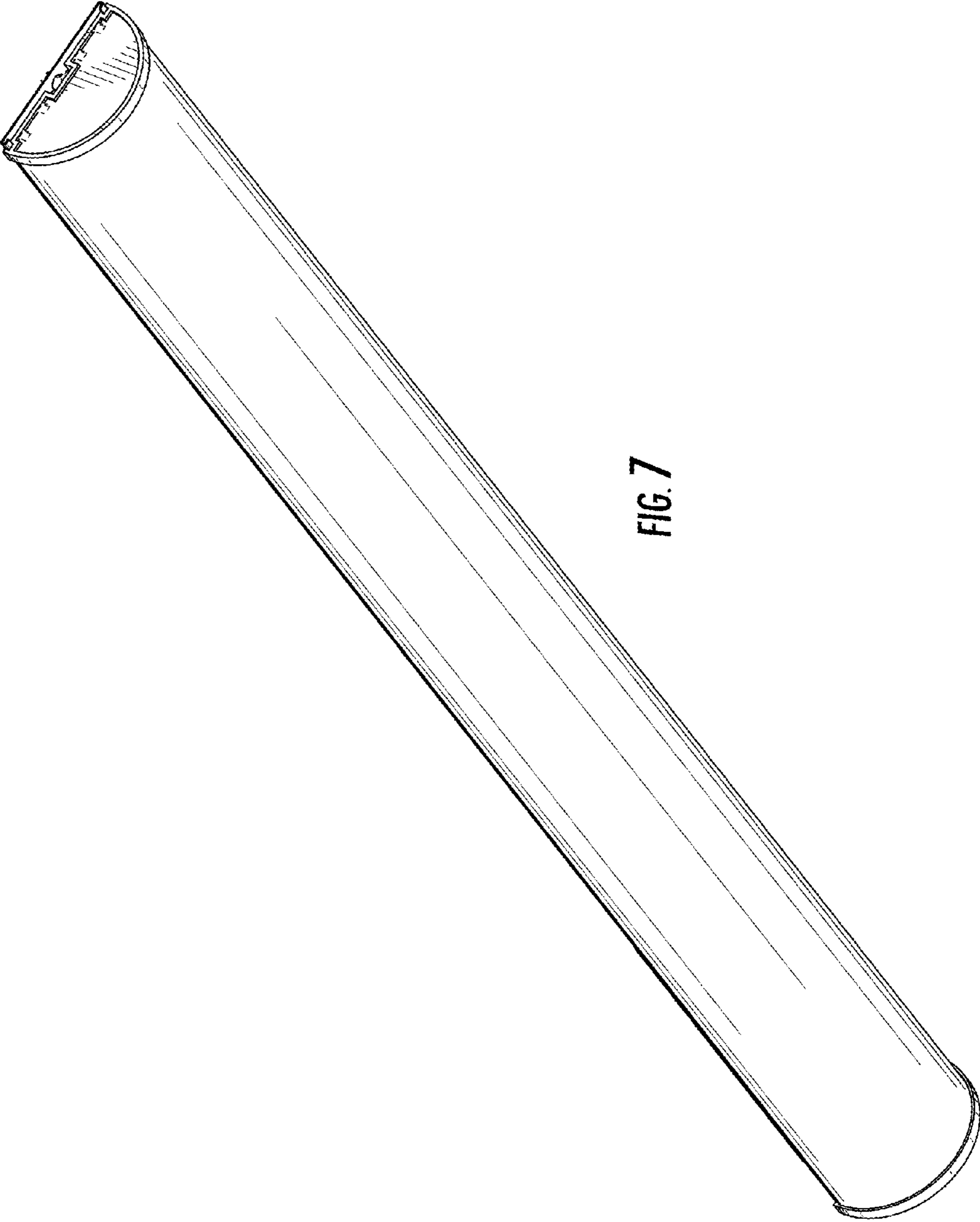


FIG. 7