



US00D701987S

(12) **United States Design Patent**
Ransom et al.

(10) **Patent No.:** **US D701,987 S**

(45) **Date of Patent:** **** Apr. 1, 2014**

(54) **LANDSCAPE EDGING WITH INTEGRAL ILLUMINATION AND IRRIGATION MEANS**

(71) Applicants: **Clifford Ransom**, Cornwall (CA);
Valerie Buttle, Cornwall (CA)

(72) Inventors: **Clifford Ransom**, Cornwall (CA);
Valerie Buttle, Cornwall (CA)

(**) Term: **14 Years**

(21) Appl. No.: **29/437,494**

(22) Filed: **Nov. 16, 2012**

Related U.S. Application Data

(63) Continuation of application No. 12/080,840, filed on Apr. 7, 2008, now abandoned.

(51) **LOC (10) Cl.** **26-05**

(52) **U.S. Cl.**
USPC **D26/51; D26/67**

(58) **Field of Classification Search**
USPC D26/24, 51, 67, 72, 75, 76; 362/145, 362/249; 52/28, 102; 138/110; 47/33
See application file for complete search history.

(56) **References Cited**

U.S. PATENT DOCUMENTS

D146,983	S	*	6/1947	Phillips	D26/51
3,387,786	A	*	6/1968	Rynberk	47/33
4,644,685	A	*	2/1987	Tisbo et al.	47/33
4,779,800	A	*	10/1988	Tuomi	239/276
4,945,675	A		8/1990	Kendrick		
5,180,223	A		1/1993	McNamee		
5,410,458	A		4/1995	Bell		
5,438,804	A	*	8/1995	Reum et al.	52/102

5,519,970	A	*	5/1996	Reum et al.	52/102
5,857,493	A		1/1999	Matz		
6,021,599	A	*	2/2000	Matz	47/33
6,039,458	A		3/2000	Coates, Jr. et al.		
6,088,967	A		7/2000	Johnson		
6,108,969	A	*	8/2000	Danna et al.	47/33
6,138,405	A	*	10/2000	Matz	47/33
D484,993	S	*	1/2004	Jones	D25/164
6,979,483	B2	*	12/2005	Matsushima et al.	362/102
D520,647	S	*	5/2006	Elmore et al.	D25/119
7,118,096	B2	*	10/2006	Petrozziello	256/32
D605,313	S	*	12/2009	Wilson et al.	D25/164
7,908,792	B2	*	3/2011	Heighton	47/33

* cited by examiner

Primary Examiner — Clare E Heflin

(74) *Attorney, Agent, or Firm* — Robert C. Montgomery;
Montgomery Patent & Design

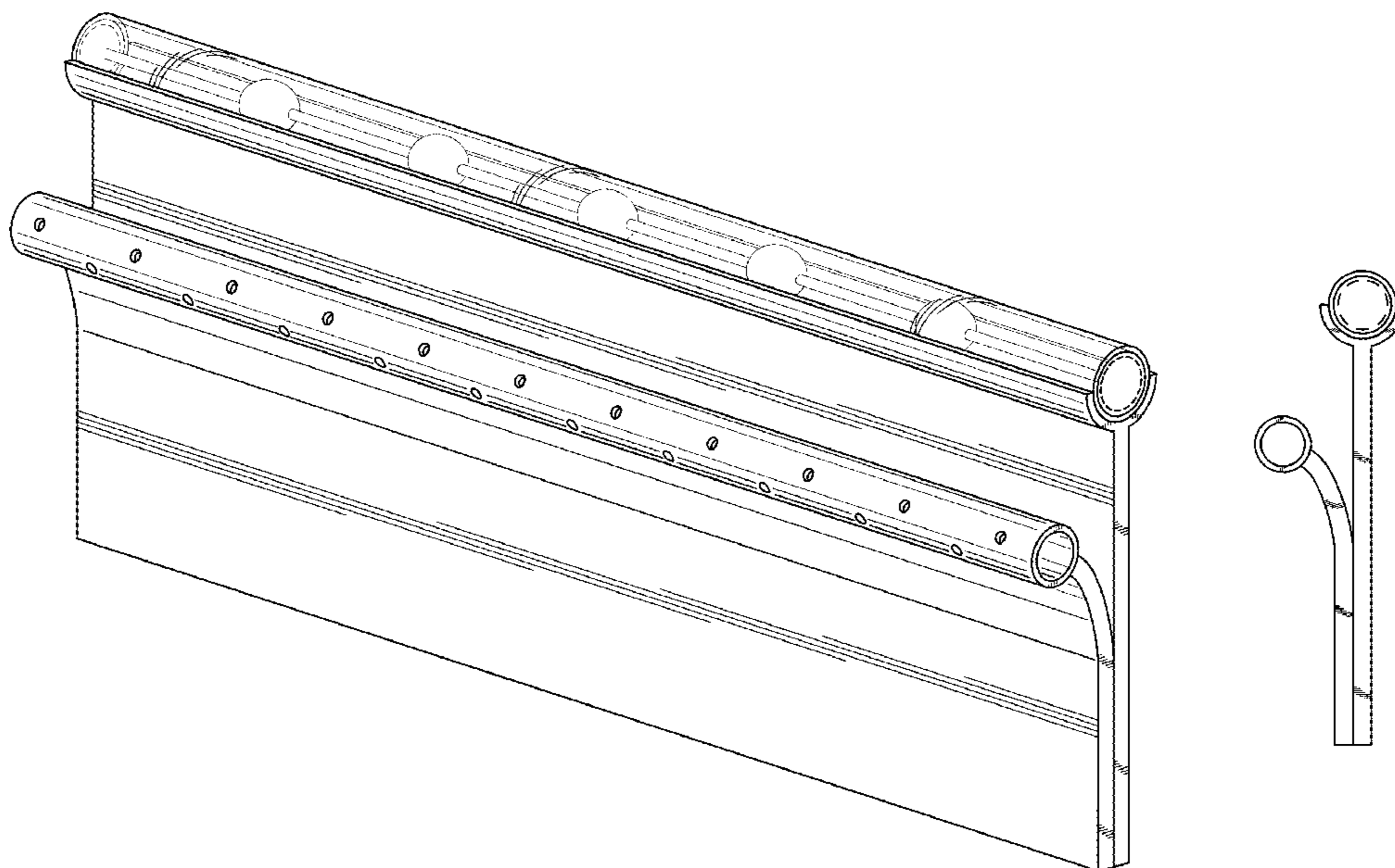
(57) **CLAIM**

The ornamental design for a landscape edging with integral illumination and irrigation means, as shown and described.

DESCRIPTION

FIG. 1 is a perspective view of a landscape edging with integral illumination and irrigation means, showing our new design;
FIG. 2 is a right view thereof, with a left view being a mirror image;
FIG. 3 is a front view thereof;
FIG. 4 is a rear view thereof;
FIG. 5 is a top view thereof; and,
FIG. 6 is a bottom view thereof.
The broken lines shown on the drawings depict environment only and form no part of the claimed design.

1 Claim, 6 Drawing Sheets



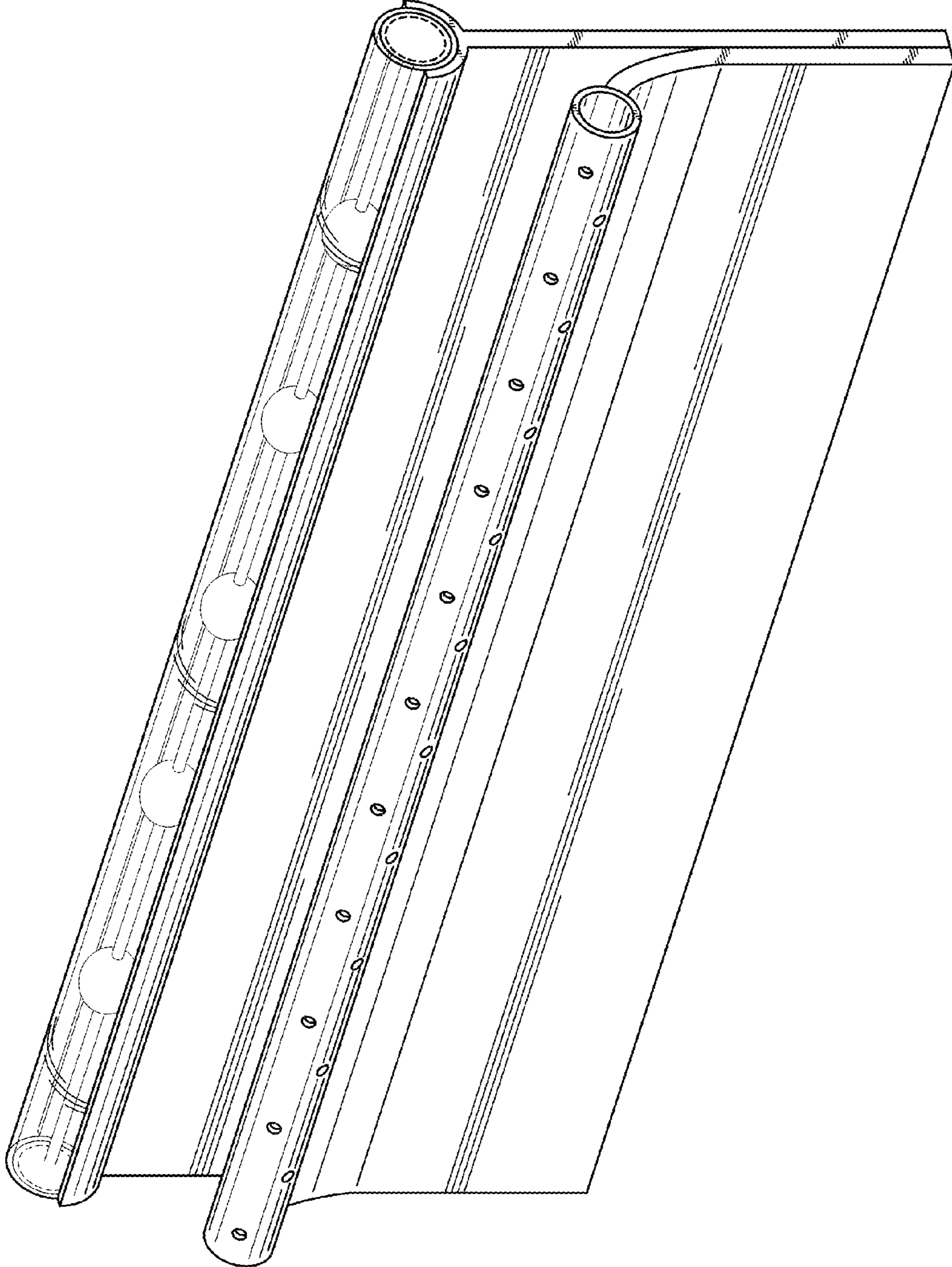


Fig. 1

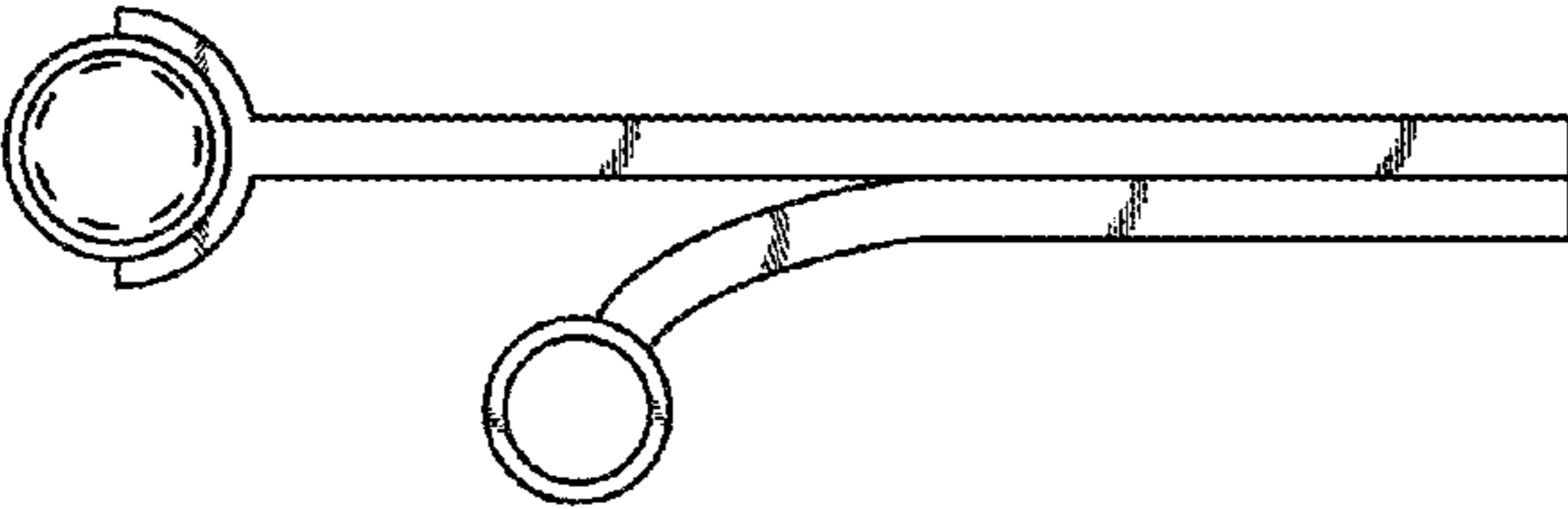


Fig. 2

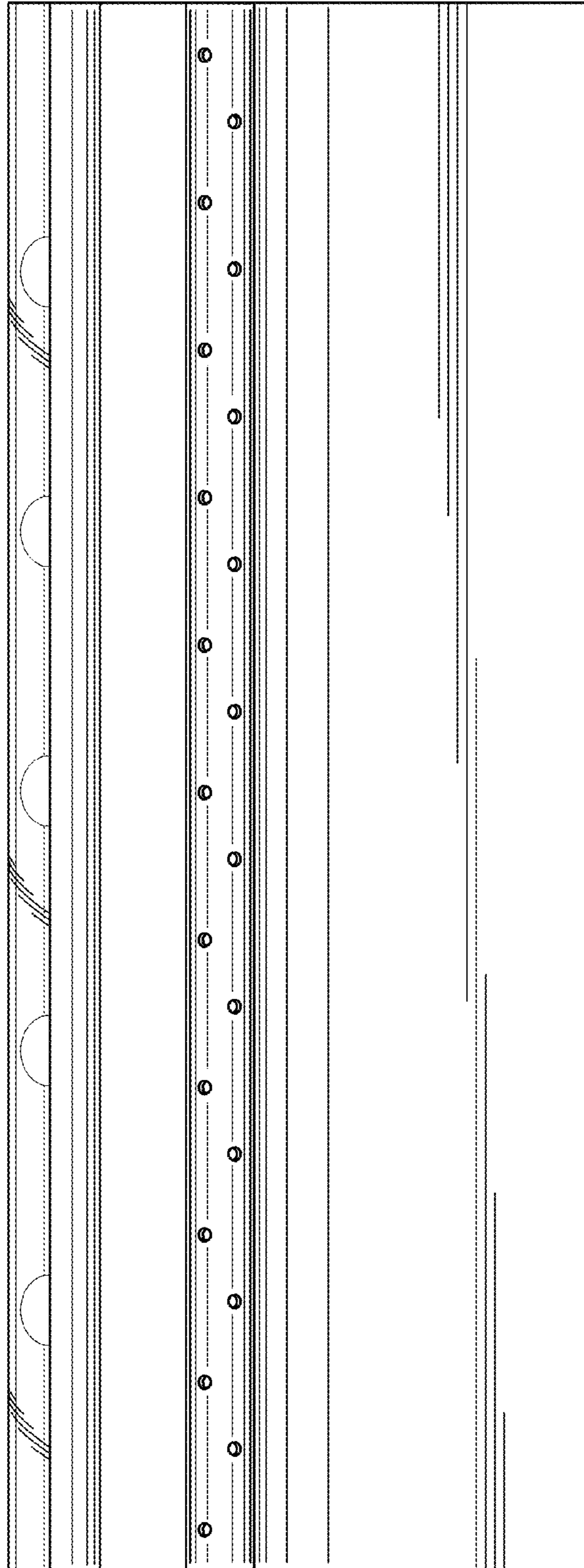


Fig. 3

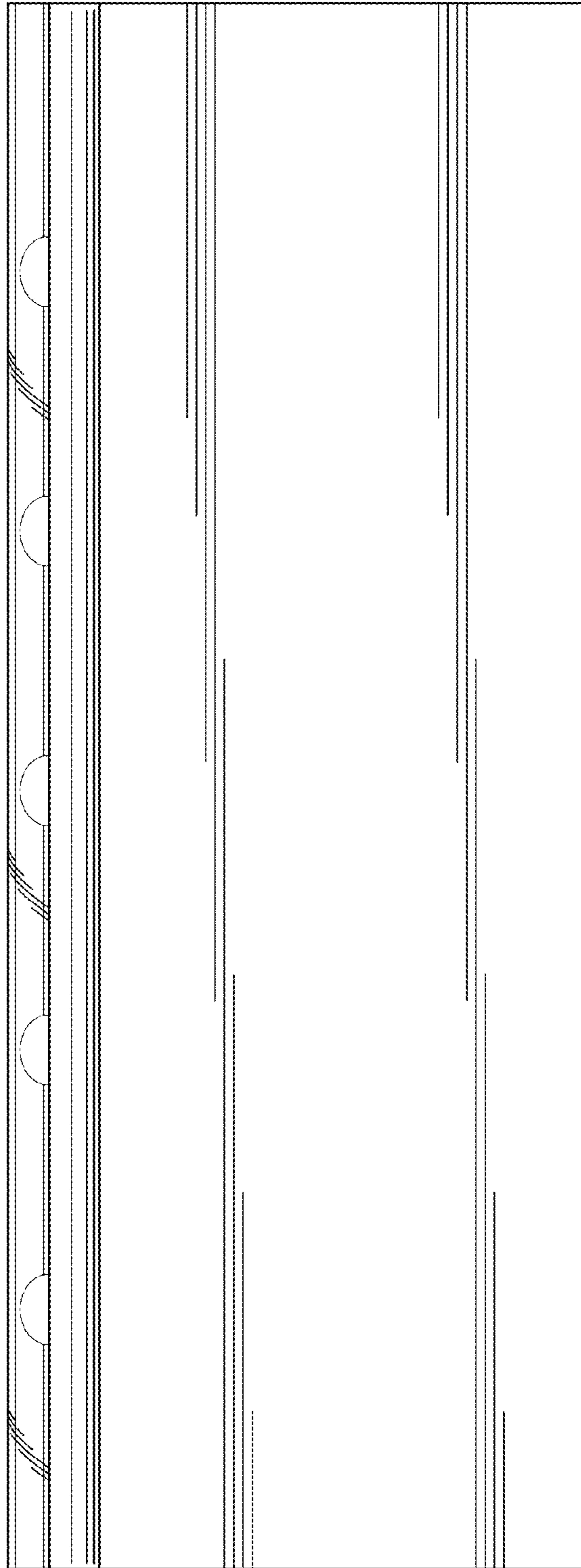


Fig. 4

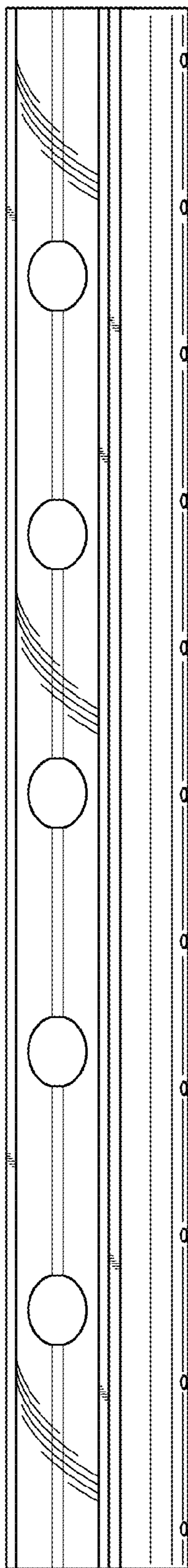


Fig. 5

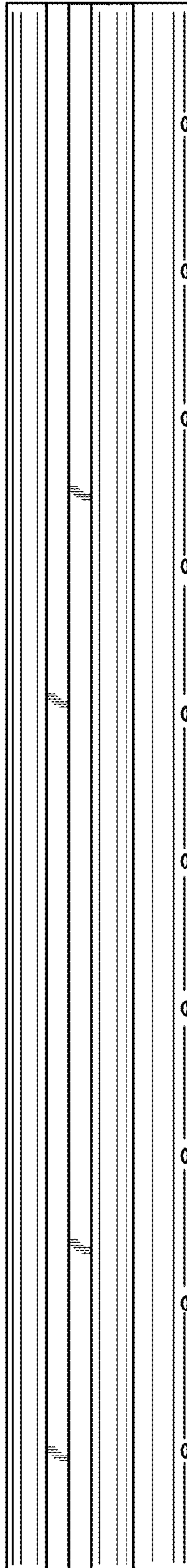


Fig. 6