



US00D701986S

(12) **United States Design Patent**
Goeckel

(10) **Patent No.:** **US D701,986 S**
(45) **Date of Patent:** **** Apr. 1, 2014**

(54) **UTILITY WORK LIGHT**

(71) Applicant: **Gregory William Goeckel**, Belleville,
IL (US)

(72) Inventor: **Gregory William Goeckel**, Belleville,
IL (US)

(**) Term: **14 Years**

(21) Appl. No.: **29/433,160**

(22) Filed: **Sep. 26, 2012**

(51) **LOC (10) Cl.** **26-02**

(52) **U.S. Cl.**
USPC **D26/42**

(58) **Field of Classification Search**
USPC D26/37, 38, 39, 42, 46, 51, 113;
362/157, 158, 183, 184, 194-196,
362/200-208

See application file for complete search history.

(56) **References Cited**

U.S. PATENT DOCUMENTS

3,331,958	A	*	7/1967	Adler	362/157
D244,876	S	*	6/1977	Zelina	D26/42
4,054,791	A		10/1977	Du Shane		
D251,267	S	*	3/1979	Zelina	D26/42
4,282,564	A		8/1981	McJunkin Jr. et al.		
4,389,699	A		6/1983	Qualls		
4,672,515	A		6/1987	Baker		
5,243,505	A		9/1993	Carr		
D353,165	S	*	12/1994	LeMarr et al.	D21/398
D353,907	S	*	12/1994	Doria	D26/106
5,436,815	A		7/1995	Grooms et al.		
D365,164	S	*	12/1995	Yuen	D26/48
5,528,477	A		6/1996	Carmo		
5,921,658	A		7/1999	Kovacik et al.		
5,975,719	A		11/1999	Reiff et al.		
D421,142	S		2/2000	Bayat		

D428,174	S	*	7/2000	Yuen	D26/42
6,386,736	B1		5/2002	Reiff et al.		
6,601,814	B2		8/2003	Kovacik et al.		
D483,508	S		12/2003	Galvez		
D483,893	S		12/2003	Galvez		
6,663,265	B2		12/2003	Kovacik et al.		
6,857,756	B2		2/2005	Reiff et al.		
D505,217	S	*	5/2005	Bayat et al.	D26/42
6,984,054	B2		1/2006	Lai		

(Continued)

OTHER PUBLICATIONS

AutoZone, Inc., Brochure displaying lighting devices, downloaded
Jul. 19, 2011.

(Continued)

Primary Examiner — Ian Simmons
Assistant Examiner — Carissa C Fitts
(74) *Attorney, Agent, or Firm* — Thomas E. Lees, LLC

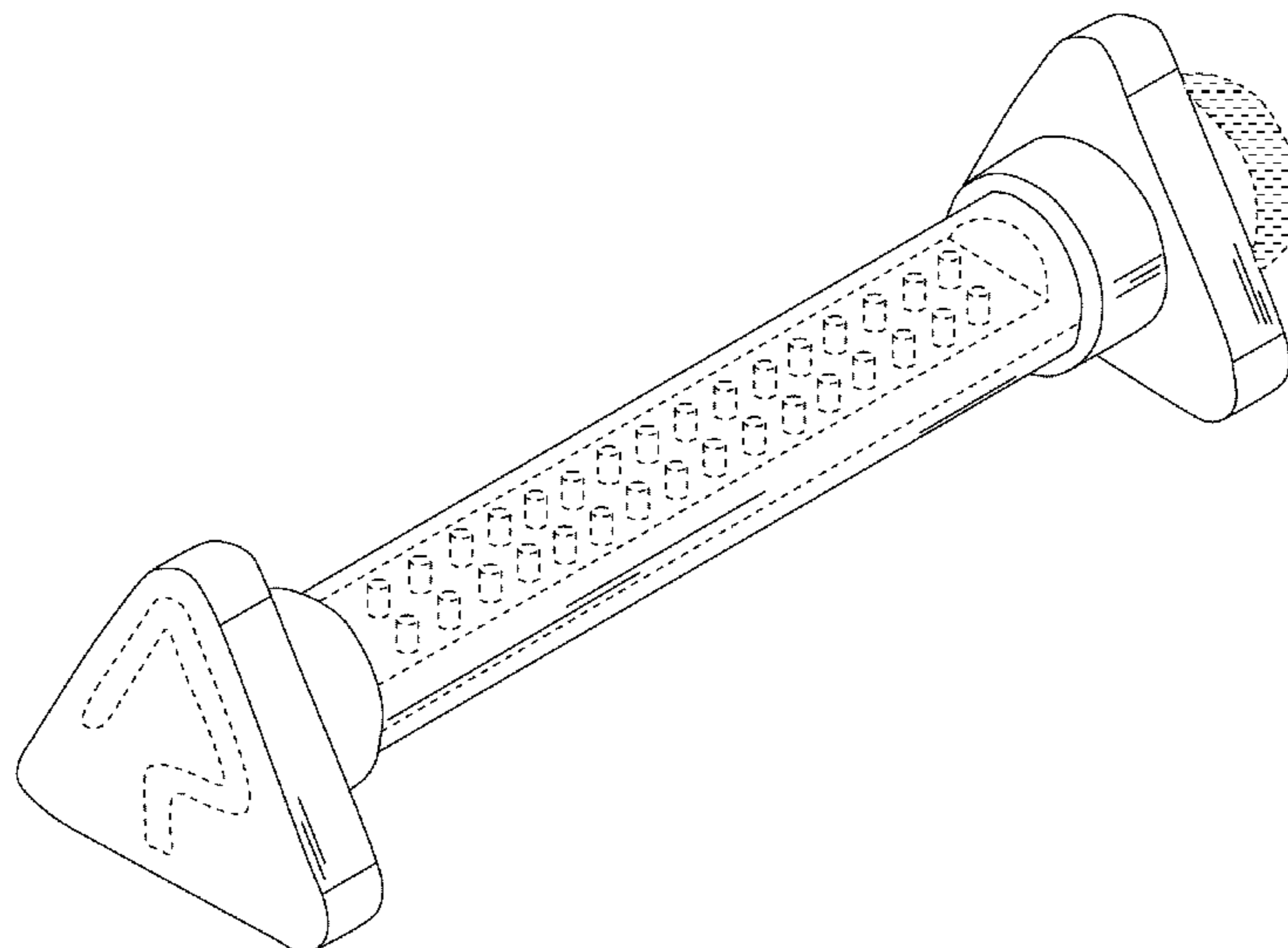
(57) **CLAIM**

The ornamental design for a utility work light, as shown and
described.

DESCRIPTION

FIG. 1 is a top plan view of the utility work light;
FIG. 2 is a front side elevational view of the utility work light;
FIG. 3 is a rear side elevational view of the utility work light;
FIG. 4 is a bottom plan view of the utility work light;
FIG. 5 is a left end elevational view of the utility work light;
FIG. 6 is a right end elevational of the utility work light;
FIG. 7 is a perspective view of the utility work light with the
left end forward; and,
FIG. 8 is a perspective view of the utility work light with the
right end forward.
The broken line showing is for environmental purposes only
and forms no part of the claimed design.

1 Claim, 7 Drawing Sheets



(56)

References Cited

U.S. PATENT DOCUMENTS

7,150,540 B2 12/2006 Kovacik et al.
7,175,303 B2 2/2007 Kovacik et al.
D540,484 S * 4/2007 Bayat et al. D26/42
D541,962 S * 5/2007 Bayat et al. D26/42
7,338,189 B2 3/2008 Kovacik et al.
7,367,689 B2 5/2008 Huang
7,648,261 B2 1/2010 Ko et al.
7,731,386 B2 6/2010 Levine
D620,627 S 7/2010 Kovacik et al.
D622,431 S * 8/2010 Bayat et al. D26/46
D626,673 S 11/2010 Kovacik et al.
D641,093 S * 7/2011 Kidman D26/49
2005/0265035 A1 12/2005 Brass et al.
2006/0034091 A1 2/2006 Kovacik et al.

2006/0198132 A1 9/2006 Trigiani et al.
2009/0109679 A1 4/2009 Ko et al.
2010/0177502 A1 7/2010 Lau

OTHER PUBLICATIONS

Designer's Edge, "Designers Edge L-2006 Ecozone 65-Watt Fluorescent Portable 360-Degree Worklight", Amazon.com, downloaded Sep. 20, 2011.
Stanley, "Stanley BF0109 BarFlex Work Light", Amazon.com, downloaded Sep. 20, 2011.
Stanley, "Stanley PWL0109 Pivoting Fluorescent Work Light", Amazon.com, downloaded Sep. 20, 2011.
TerraLUX, "TerraLUX TLW-80 WorkStar80 LED Cordless and Rechargeable Work Light", Amazon.com, downloaded Sep. 20, 2011.

* cited by examiner

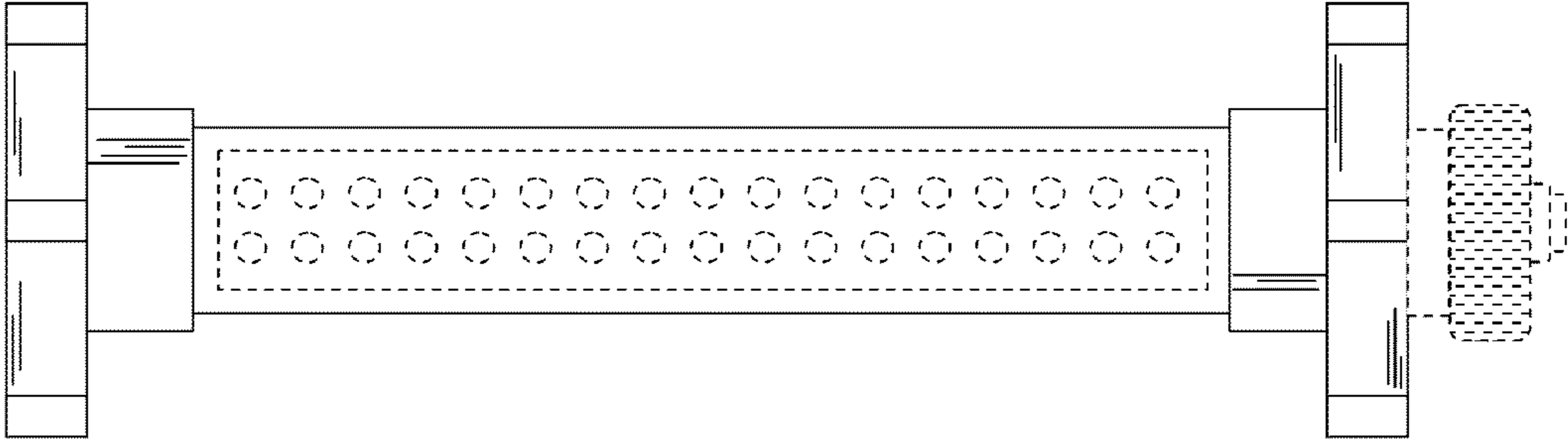


FIG. 1

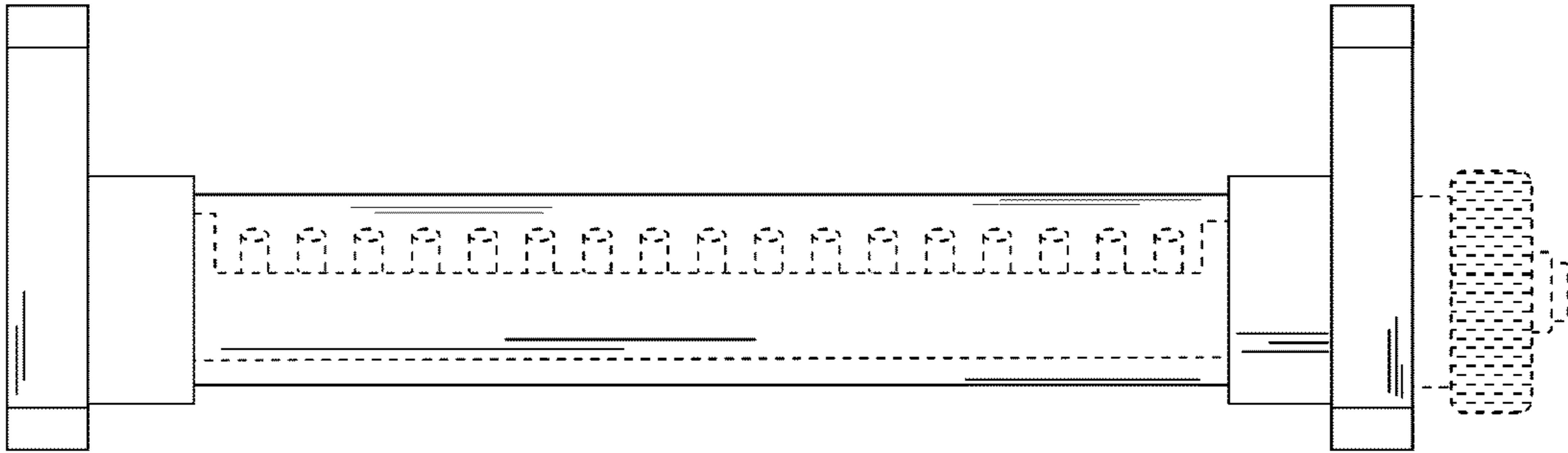


FIG. 2

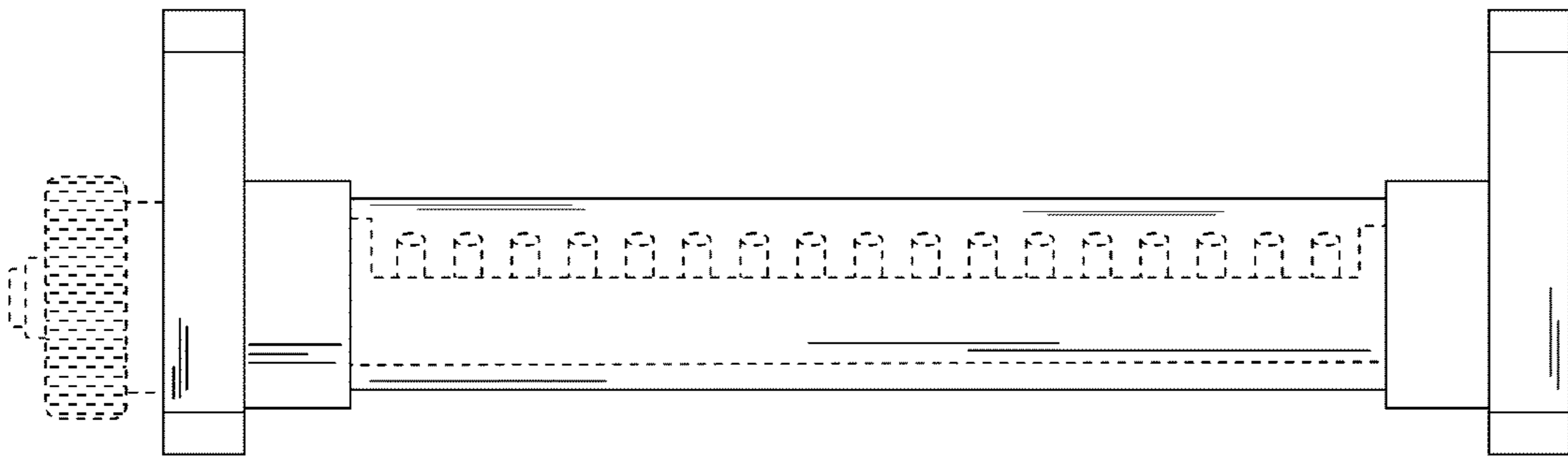


FIG. 3

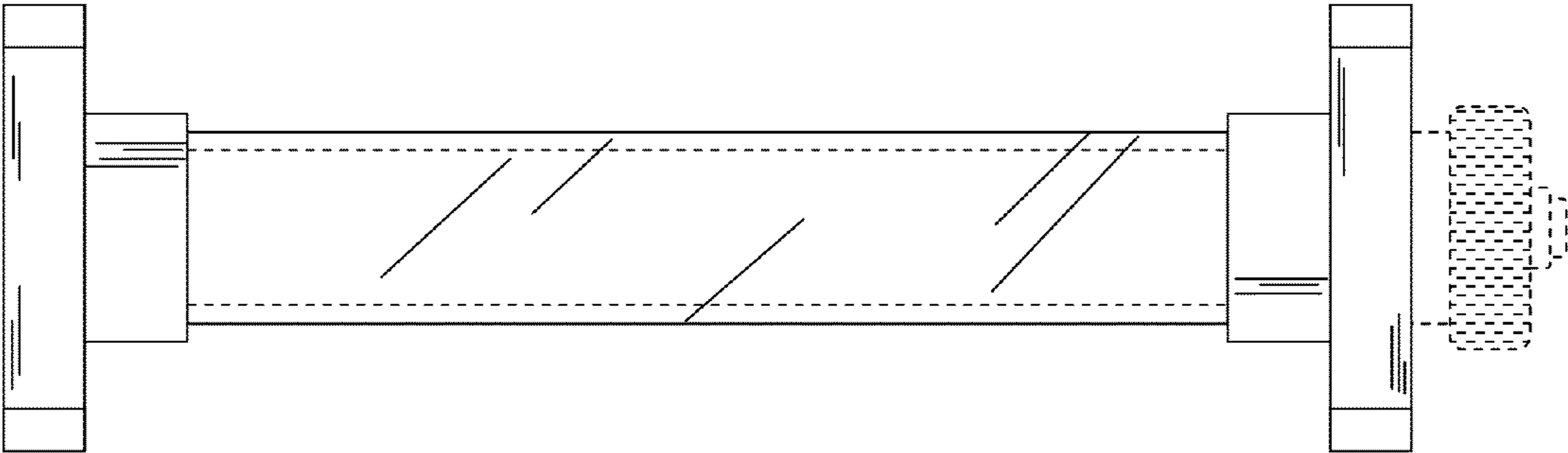


FIG. 4

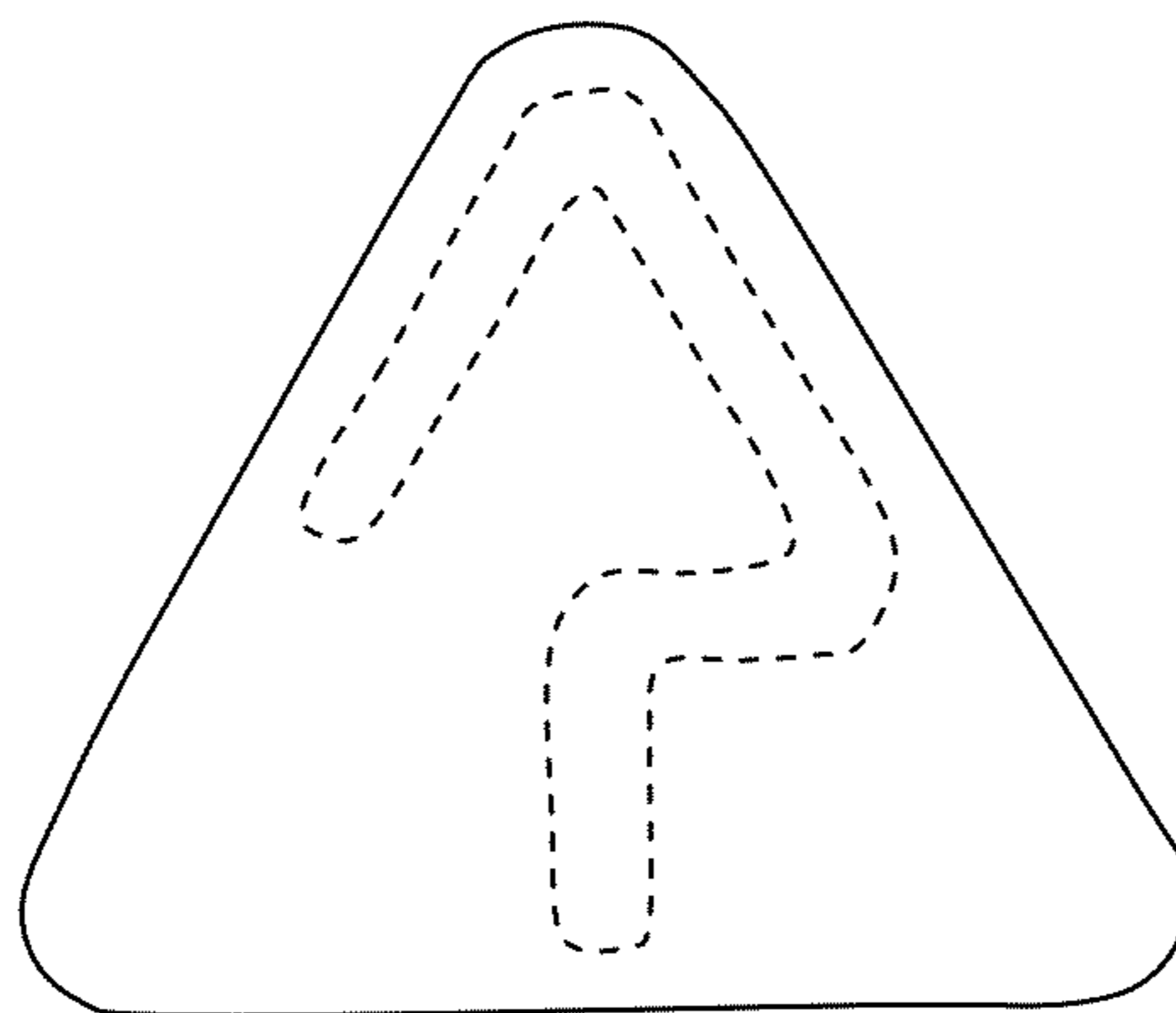


FIG. 5

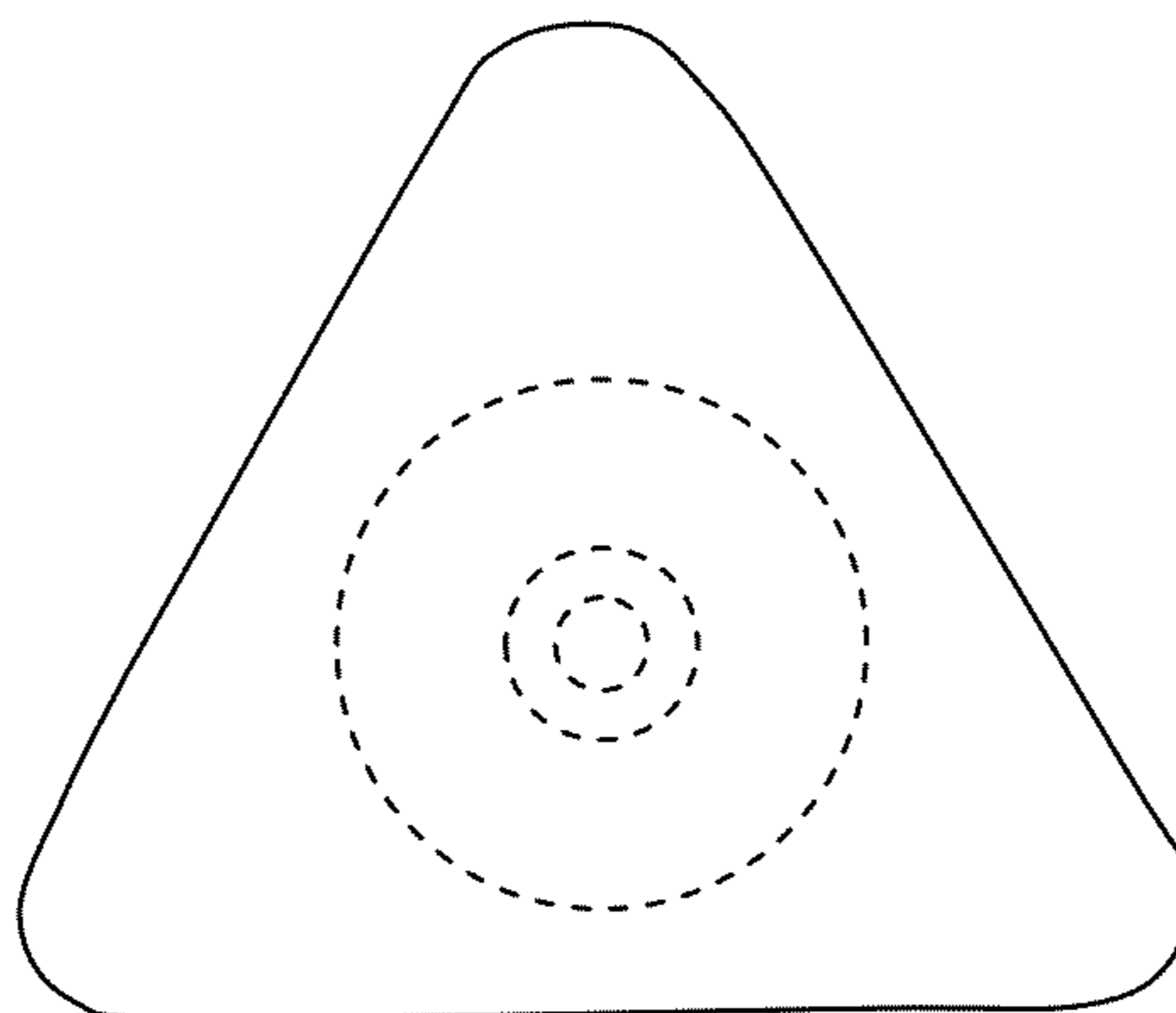


FIG. 6

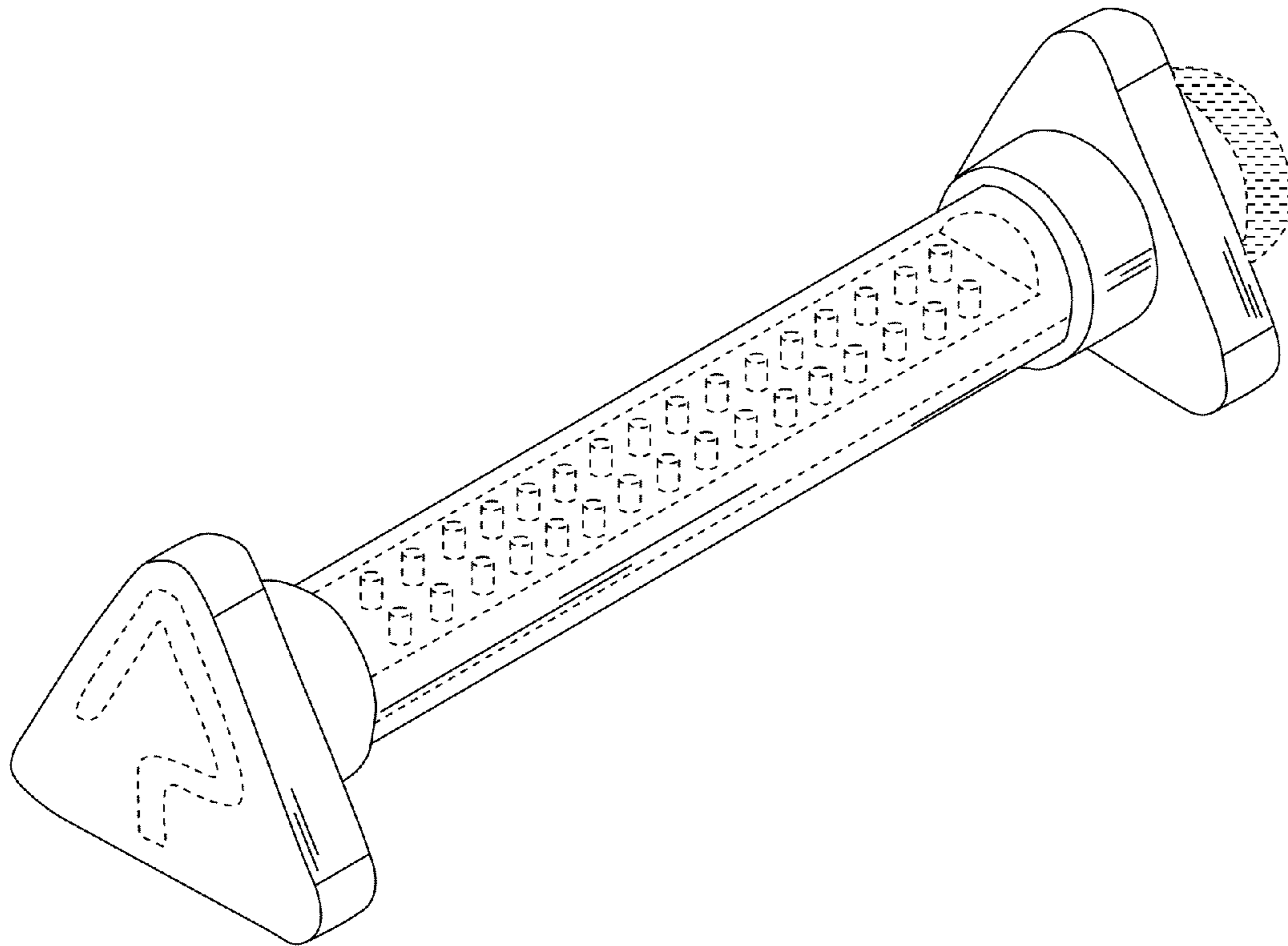


FIG. 7

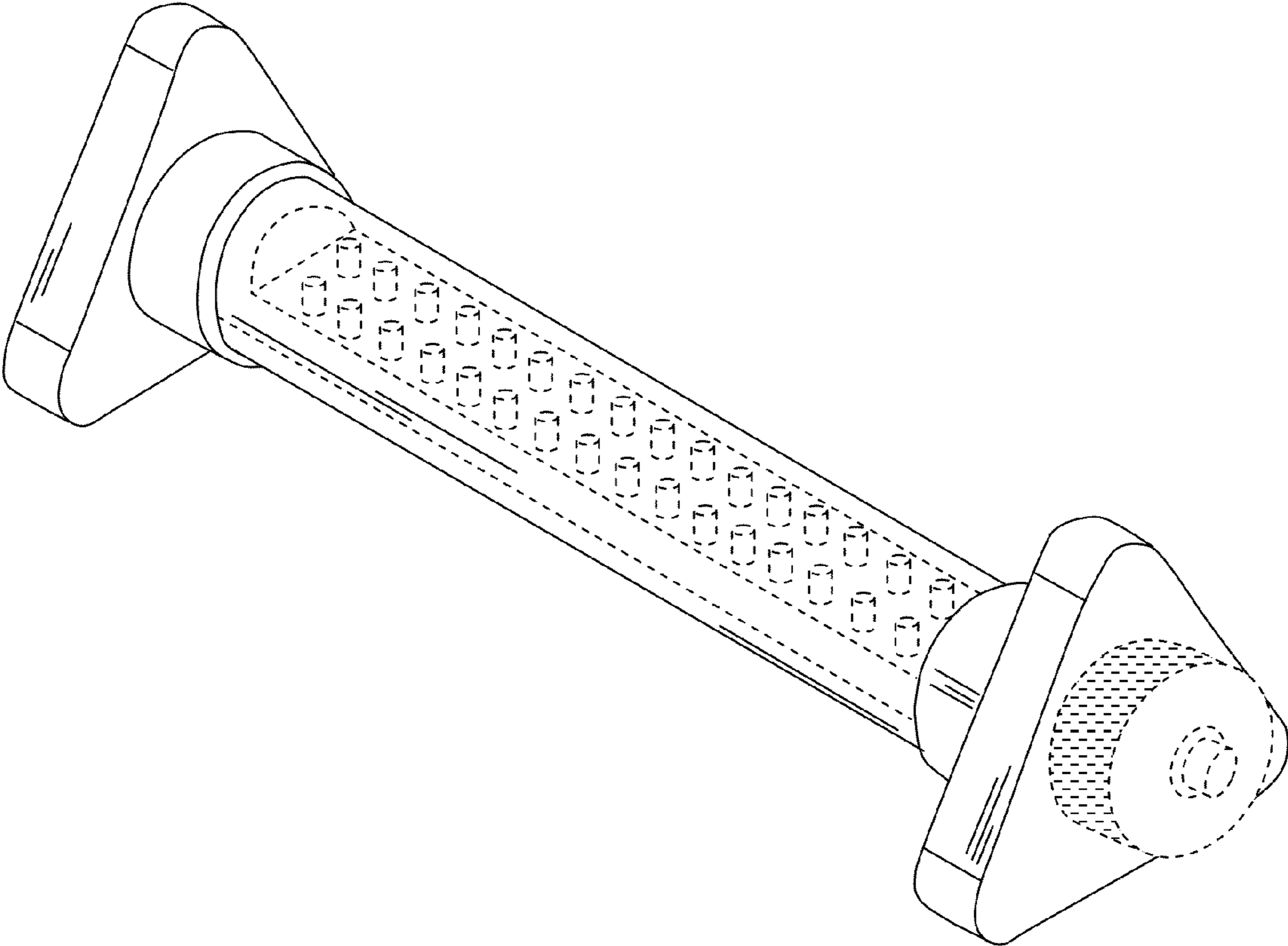


FIG. 8