



US00D701984S

(12) **United States Design Patent**  
**Kuriki et al.**

(10) **Patent No.:** **US D701,984 S**  
(45) **Date of Patent:** **\*\* Apr. 1, 2014**

(54) **FRONT WINKER FOR MOTOR SCOOTERS**

(71) Applicant: **Honda Motor Co., Ltd**, Tokyo (JP)

(72) Inventors: **Daisuke Kuriki**, Wako (JP); **Tomotake Shimoji**, Wako (JP)

(73) Assignee: **Honda Motor Co., Ltd**, Tokyo (JP)

(\*\*) Term: **14 Years**

(21) Appl. No.: **29/445,384**

(22) Filed: **Feb. 11, 2013**

(30) **Foreign Application Priority Data**

Aug. 9, 2012 (JP) ..... 2012-019274

(51) **LOC (10) Cl.** ..... **26-06**

(52) **U.S. Cl.**  
USPC ..... **D26/28**

(58) **Field of Classification Search**  
USPC ..... D26/1-4; 313/313, 315, 316, 317, 318,  
313/493; 315/52, 53, 56, 57, 58

See application file for complete search history.

(56) **References Cited**

U.S. PATENT DOCUMENTS

D552,274 S *	10/2007	Tanaka et al. ....	D26/28
D568,501 S *	5/2008	Nakazawa et al. ....	D26/28
D569,015 S *	5/2008	Tsukui et al. ....	D26/28
D573,734 S *	7/2008	Watanabe et al. ....	D26/28
D617,020 S *	6/2010	Ishiguri et al. ....	D26/28

\* cited by examiner

*Primary Examiner* — Marcus Jackson

(74) *Attorney, Agent, or Firm* — Westerman, Hattori, Daniels & Adrian, LLP

(57) **CLAIM**

The front winker design for motor scooters thereof, as shown and described.

**DESCRIPTION**

FIG. 1: a front view of the front winker;  
FIG. 2: a plan view of the front winker;  
FIG. 3: a bottom view of the front winker;  
FIG. 4: a right side view of the front winker;  
FIG. 5: a perspective view of the front winker as seen from the right front side;  
FIG. 6: a perspective view of the front winker as seen from the left front side; and,  
FIG. 7: a perspective view of the front winker as seen from the right rear side.

The broken lines illustrate environmental structure only and form no part of the claimed design.

**1 Claim, 3 Drawing Sheets**

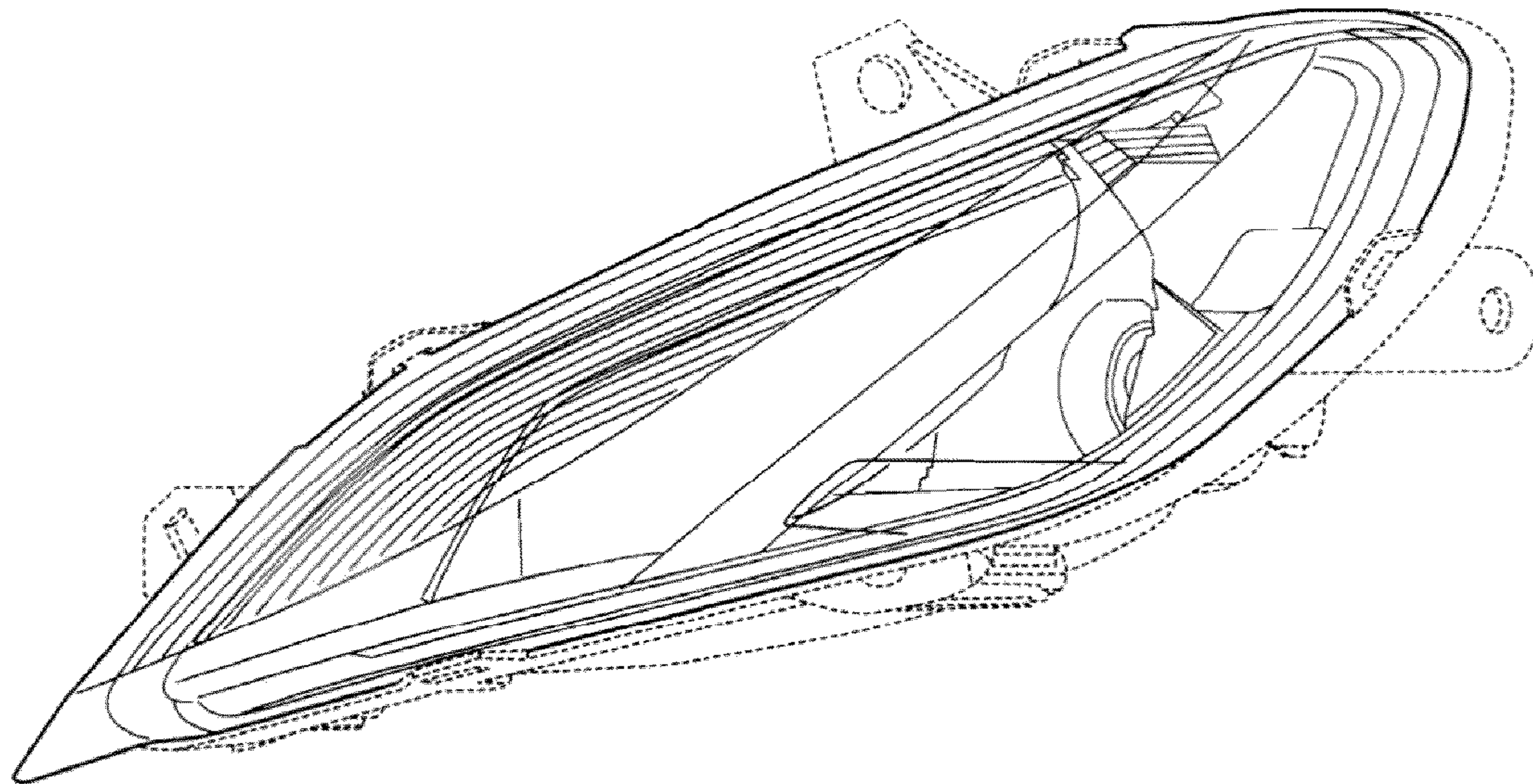


FIG.1

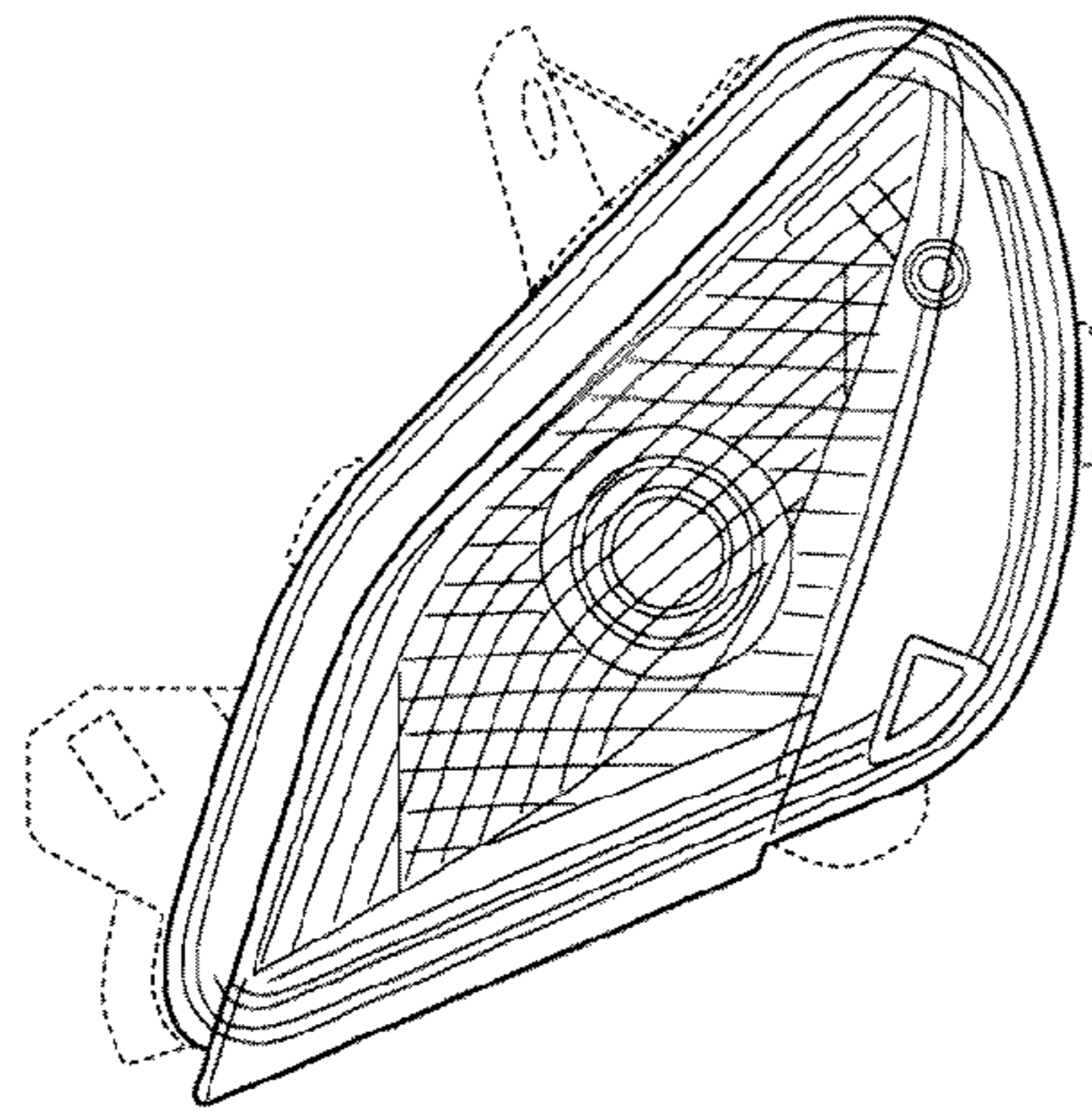


FIG.2

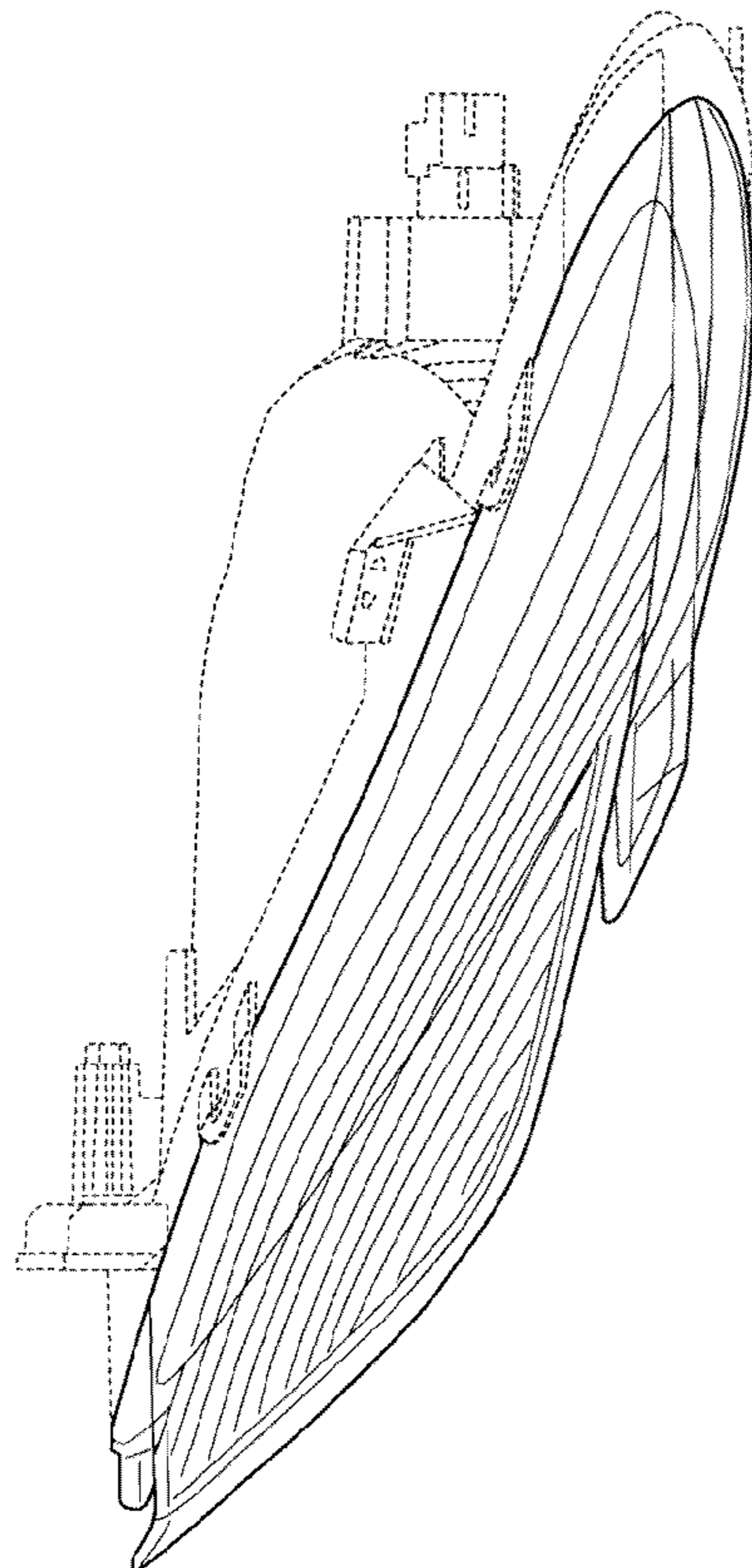


FIG.3

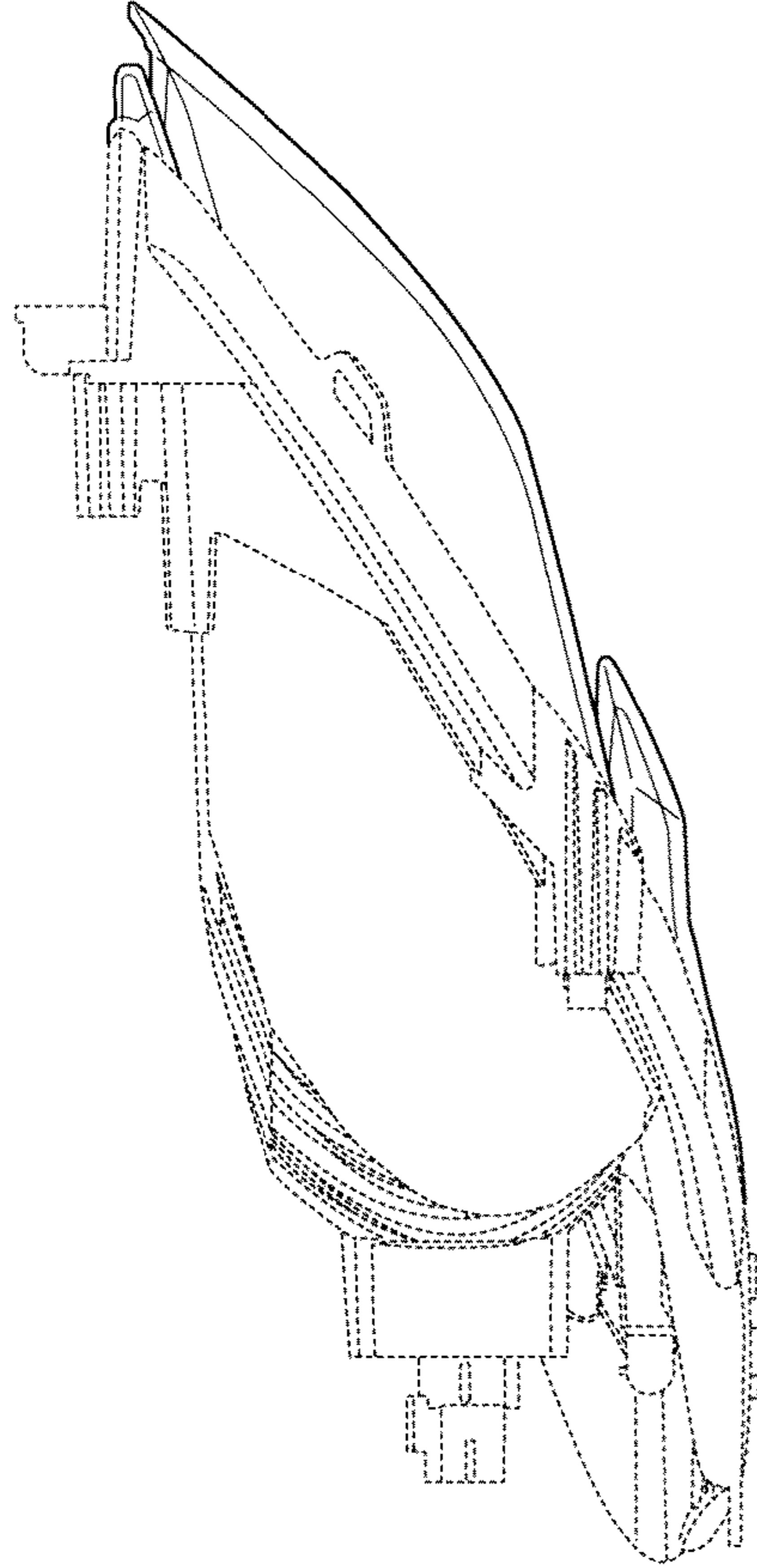


FIG.4

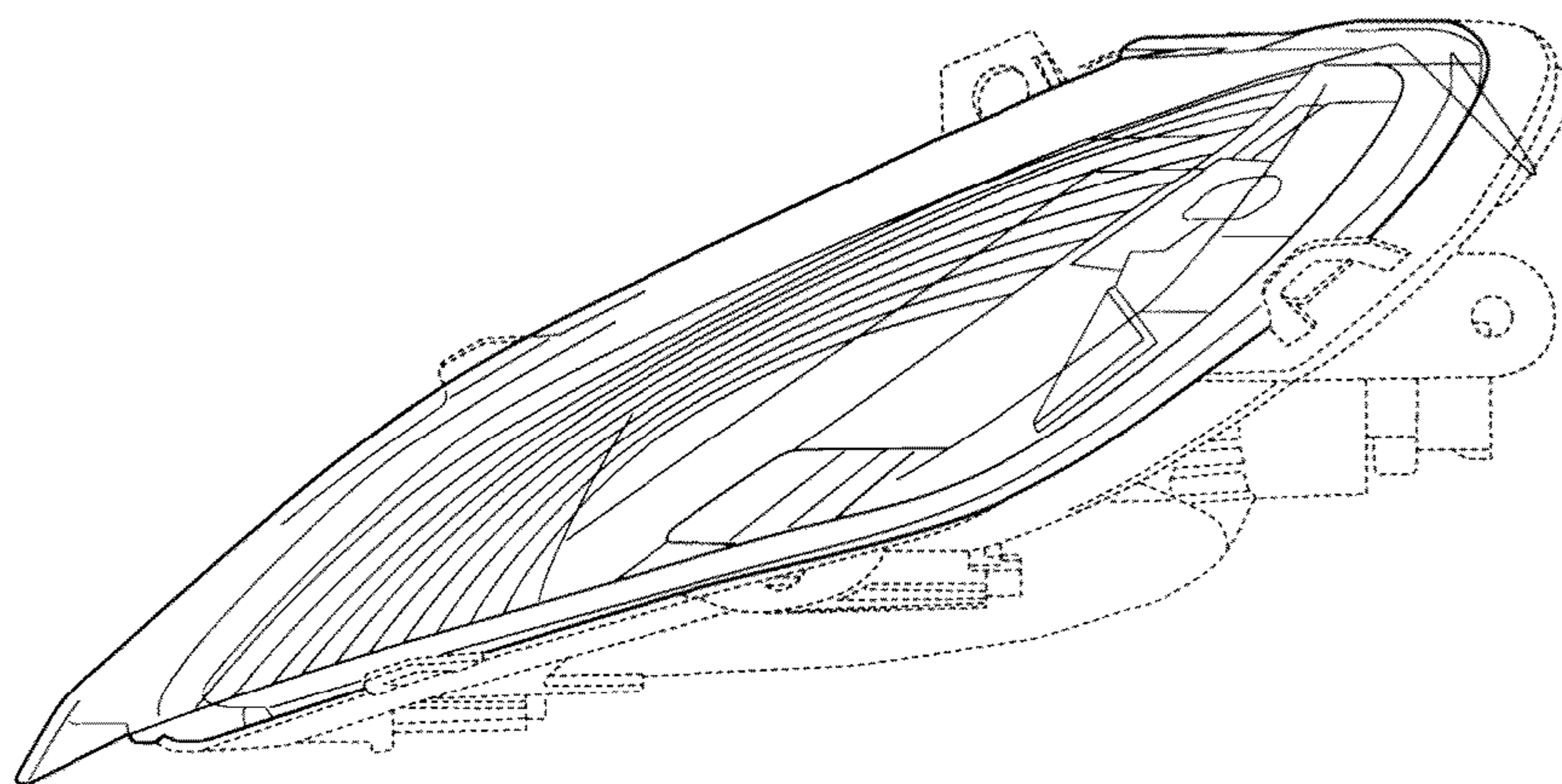




FIG.5

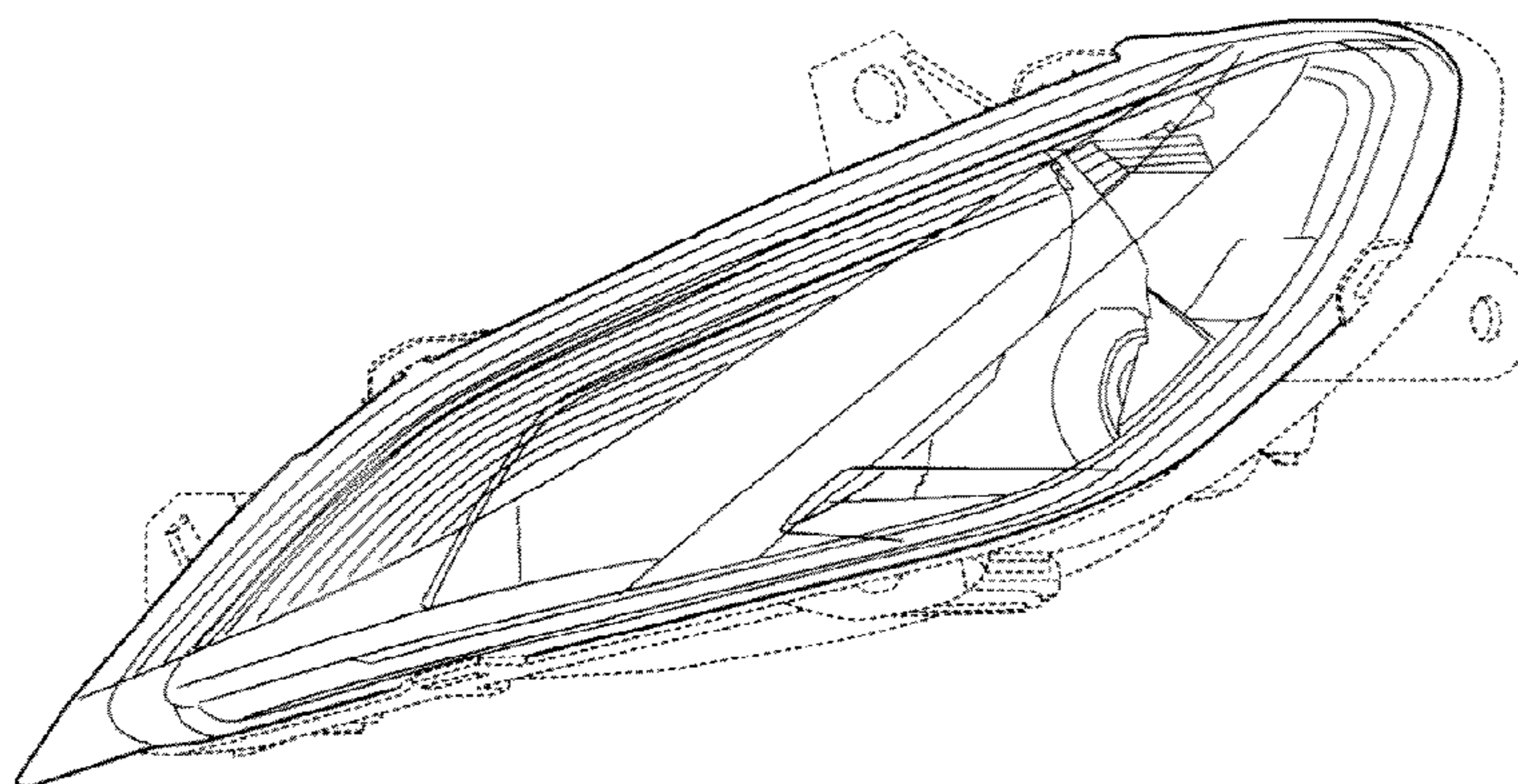


FIG.6

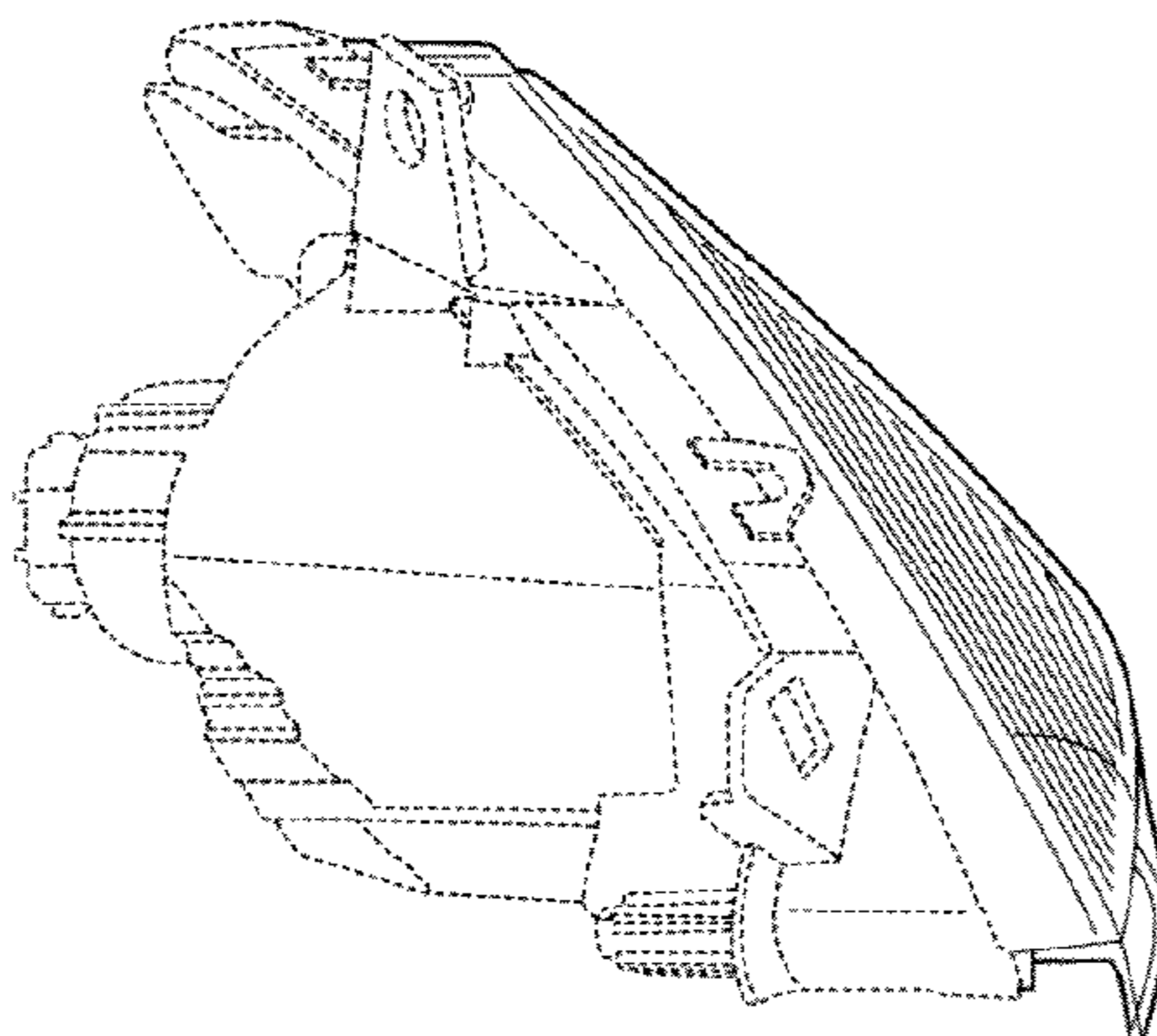


FIG.7

