



US00D701983S

(12) **United States Design Patent**
Kong et al.

(10) **Patent No.:** **US D701,983 S**

(45) **Date of Patent:** **** Apr. 1, 2014**

(54) **REAR COMBINATION LAMP FOR AUTOMOBILES**

D538,452 S * 3/2007 Pfeiffer D26/28
D539,450 S * 3/2007 Pfeiffer D26/28
D540,480 S * 4/2007 Pfeiffer D26/28
D552,769 S * 10/2007 Leclercq D26/28

(71) Applicant: **Hyundai Motor Company**, Seoul (KR)

* cited by examiner

(72) Inventors: **Byung-Ho Kong**, Seoul (KR);
Seung-Jin Kim, Gyeonggi-Do (KR)

Primary Examiner — Marcus Jackson

(73) Assignee: **Hyundai Motor Company**, Seoul (KR)

(74) *Attorney, Agent, or Firm* — Edwards Wildman Palmer LLP

(**) Term: **14 Years**

(57) **CLAIM**

(21) Appl. No.: **29/442,635**

The ornamental design for a rear combination lamp for an automobile, as shown and described.

(22) Filed: **Apr. 8, 2013**

DESCRIPTION

(30) **Foreign Application Priority Data**

Oct. 12, 2012 (KR) 30-2012-0048480

FIG. 1 is a perspective view of a rear combination lamp for an automobile according to the present invention.

(51) **LOC (10) Cl.** **26-06**

FIG. 2 is a front view of the rear combination lamp for an automobile of FIG. 1.

(52) **U.S. Cl.**
USPC **D26/28**

FIG. 3 is a rear view of the rear combination lamp for an automobile of FIG. 1.

(58) **Field of Classification Search**
USPC D26/28-36; 362/459-468, 475-478,
362/485-487
See application file for complete search history.

FIG. 4 is a left side view of the rear combination lamp for an automobile of FIG. 1.

FIG. 5 is a right side view of the rear combination lamp for an automobile of FIG. 1.

(56) **References Cited**

U.S. PATENT DOCUMENTS

D523,976 S * 6/2006 Pfeiffer et al. D26/28
D528,680 S * 9/2006 Oda D26/28

FIG. 6 is a top view of the rear combination lamp for an automobile of FIG. 1; and,

FIG. 7 is a bottom view of the rear combination lamp for an automobile of FIG. 1.

1 Claim, 7 Drawing Sheets

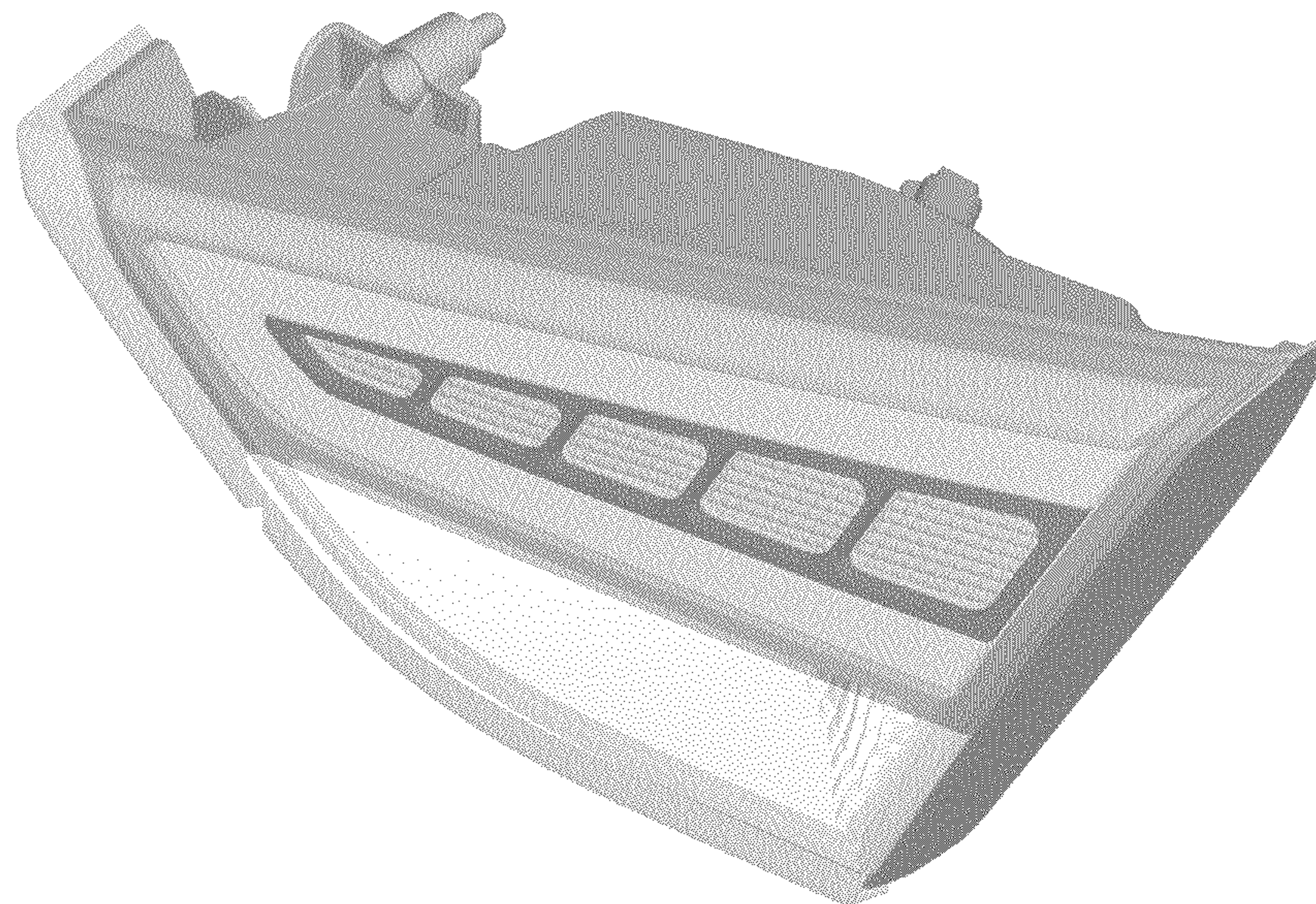


FIG. 1

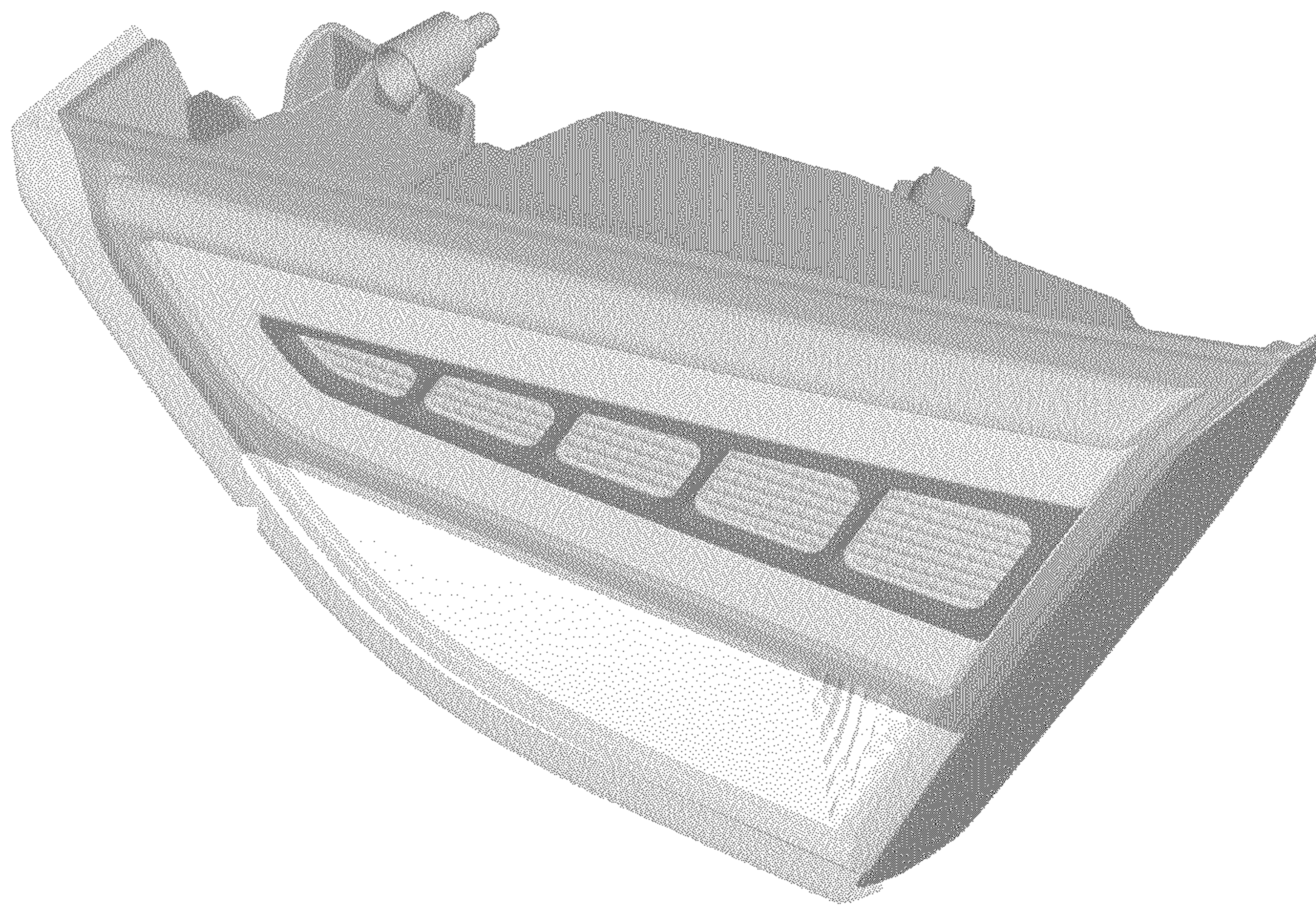


FIG. 2

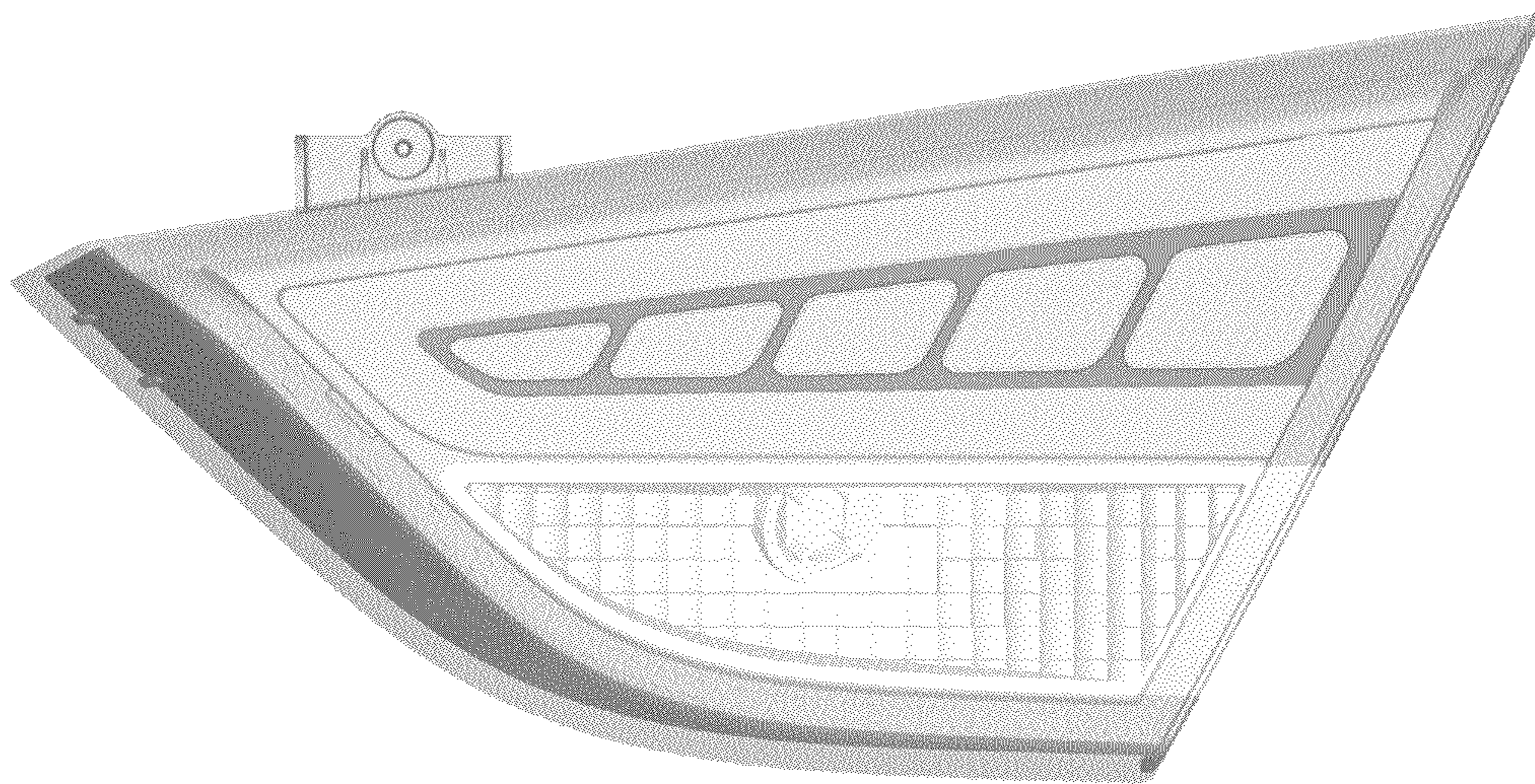


FIG. 3

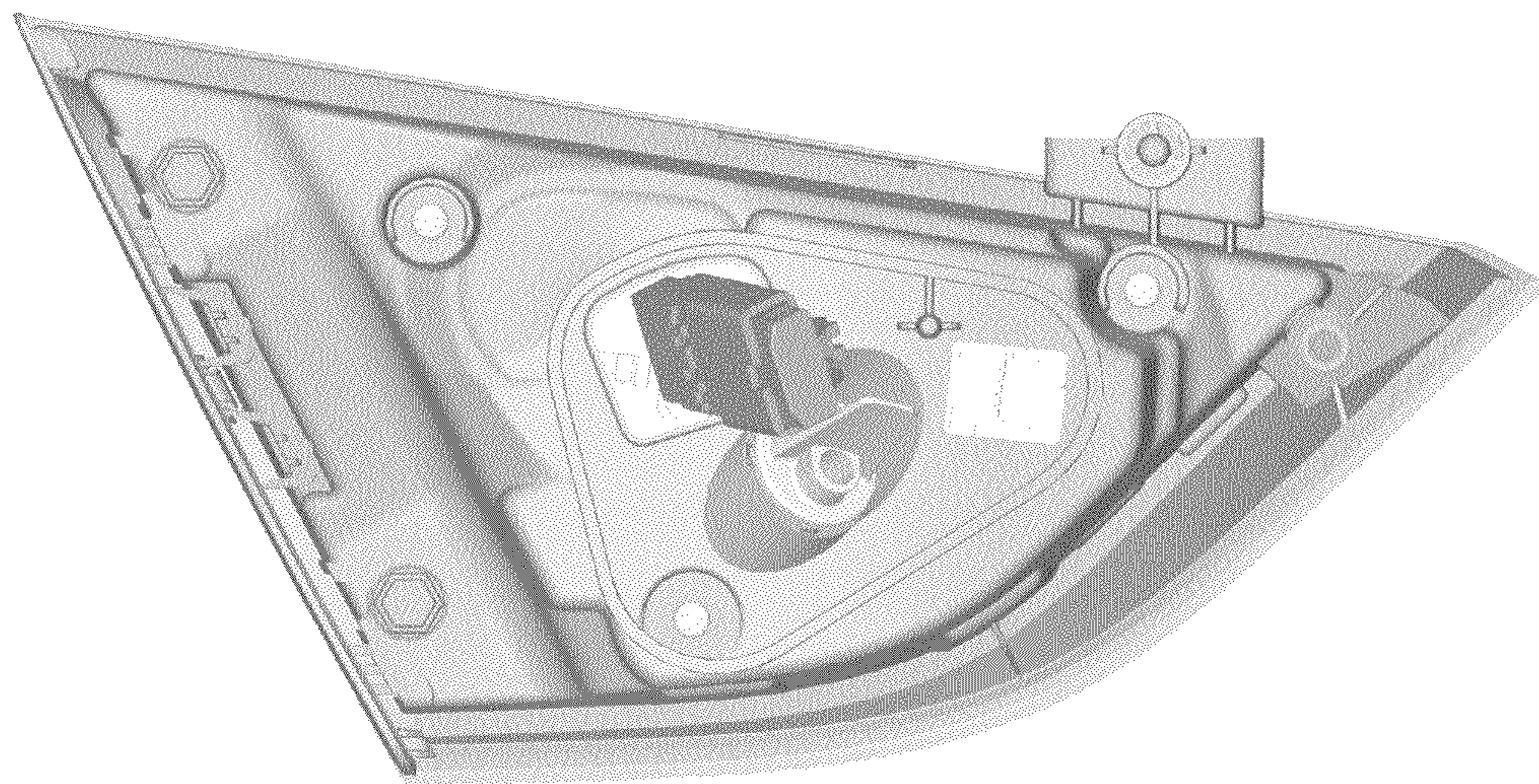


FIG. 4

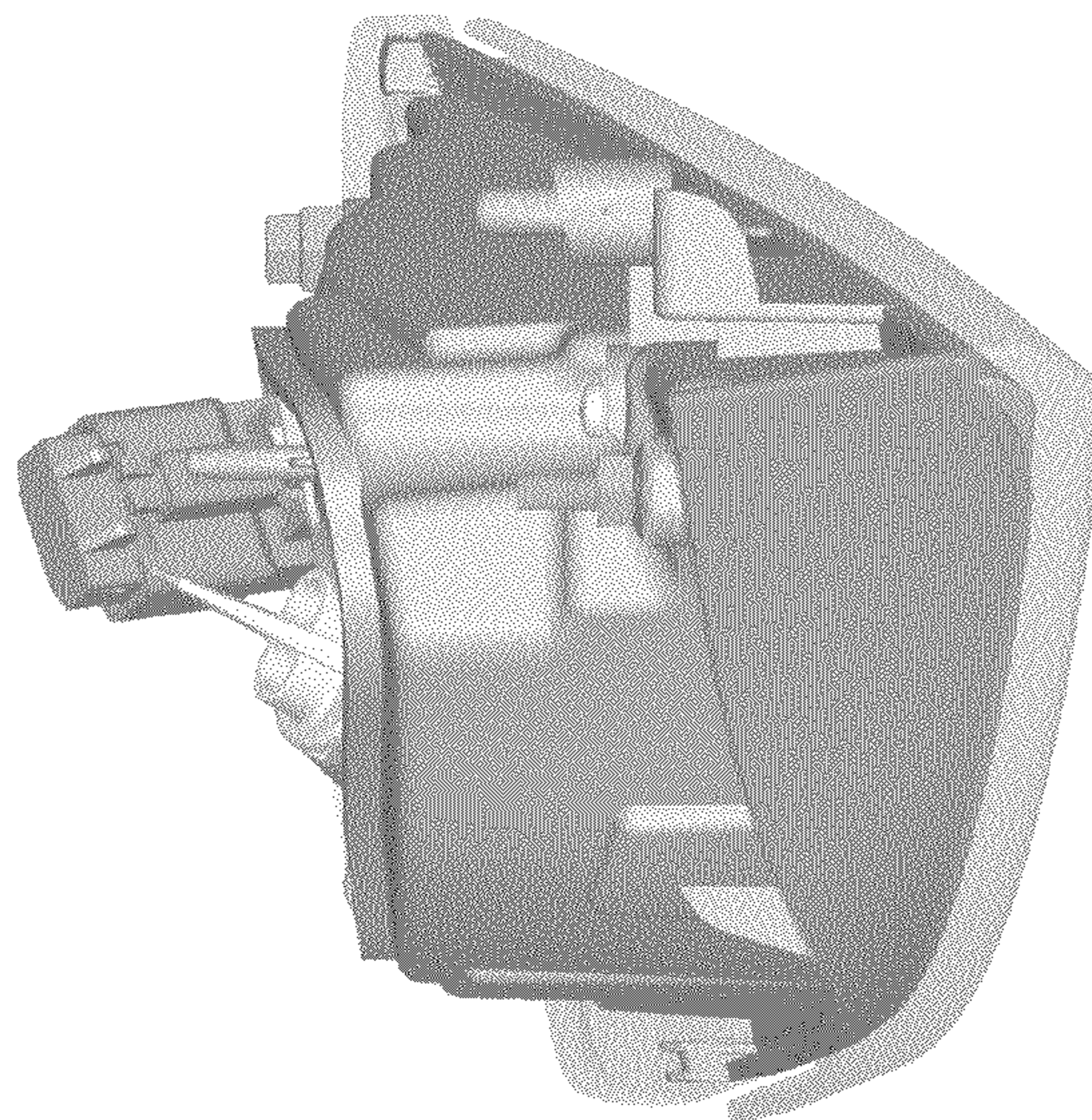


FIG. 5

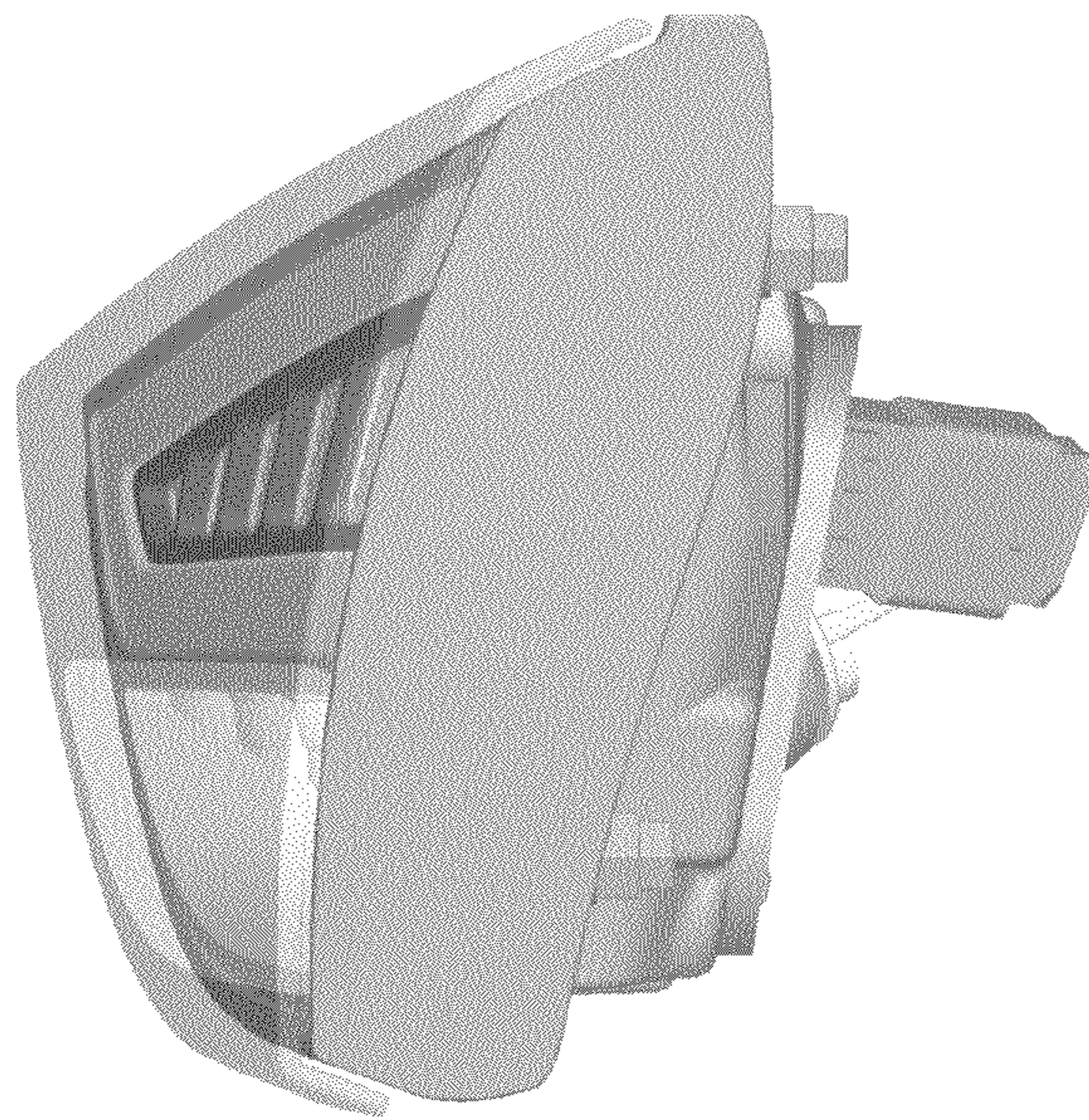


FIG. 6

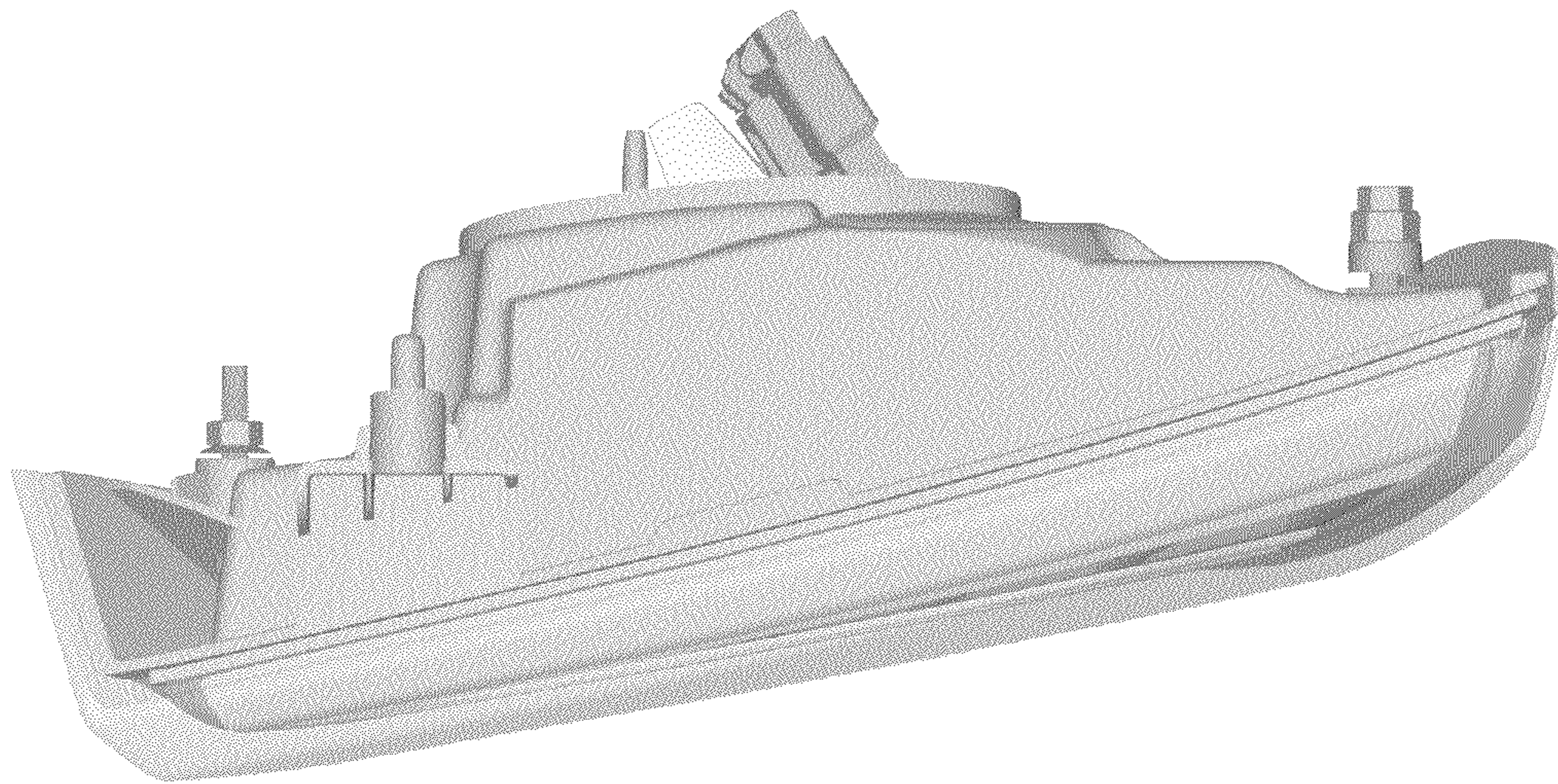


FIG. 7

