



US00D701980S

(12) **United States Design Patent**
Ke

(10) **Patent No.:** **US D701,980 S**
(45) **Date of Patent:** **** Apr. 1, 2014**

(54) **LIGHT EMITTING DIODE LAMP**

FOREIGN PATENT DOCUMENTS

(71) Applicant: **Cal-Comp Electronics & Communications Company Limited**,
New Taipei (TW)

TW D130697 9/2009
TW D134458 4/2010

(72) Inventor: **Yu-Chuan Ke**, New Taipei (TW)

(73) Assignee: **Cal-Comp Electronics and Communications Company Limited**,
New Taipei (TW)

OTHER PUBLICATIONS

GU10 LED Bolbs, "GU10 Mono LED bulb AR111 DIMMA," Sep. 12, 2012, Available at: <http://gu10led1.blogspot.tw/2012/09/mono-led-bulb-ar111-dimma-led-gu10.html>.

Hong Kong International Purchase Association, "Superbright 13W LED Ar111, Led Spot Light, Led Lamp with GS /Emc /Tu," Apr. 2012, Available at: <http://www.led-purchase.com/elegrp/superbright-13w-led-ar111-led-spot-light-led-lamp-with-gs-emc-tu-180545.html>.

(**) Term: **14 Years**

* cited by examiner

(21) Appl. No.: **29/452,242**

Primary Examiner — Marcus Jackson

(22) Filed: **Apr. 15, 2013**

(74) *Attorney, Agent, or Firm* — Jianq Chyun IP Office

(51) **LOC (10) Cl.** **26-04**

(52) **U.S. Cl.**
USPC **D26/2**

(57) **CLAIM**

The ornamental design for a light emitting diode lamp, as shown and described.

(58) **Field of Classification Search**
USPC D26/1-4; 313/313, 315, 316, 317, 318,
313/493; 315/52, 53, 56, 57, 58
See application file for complete search history.

DESCRIPTION

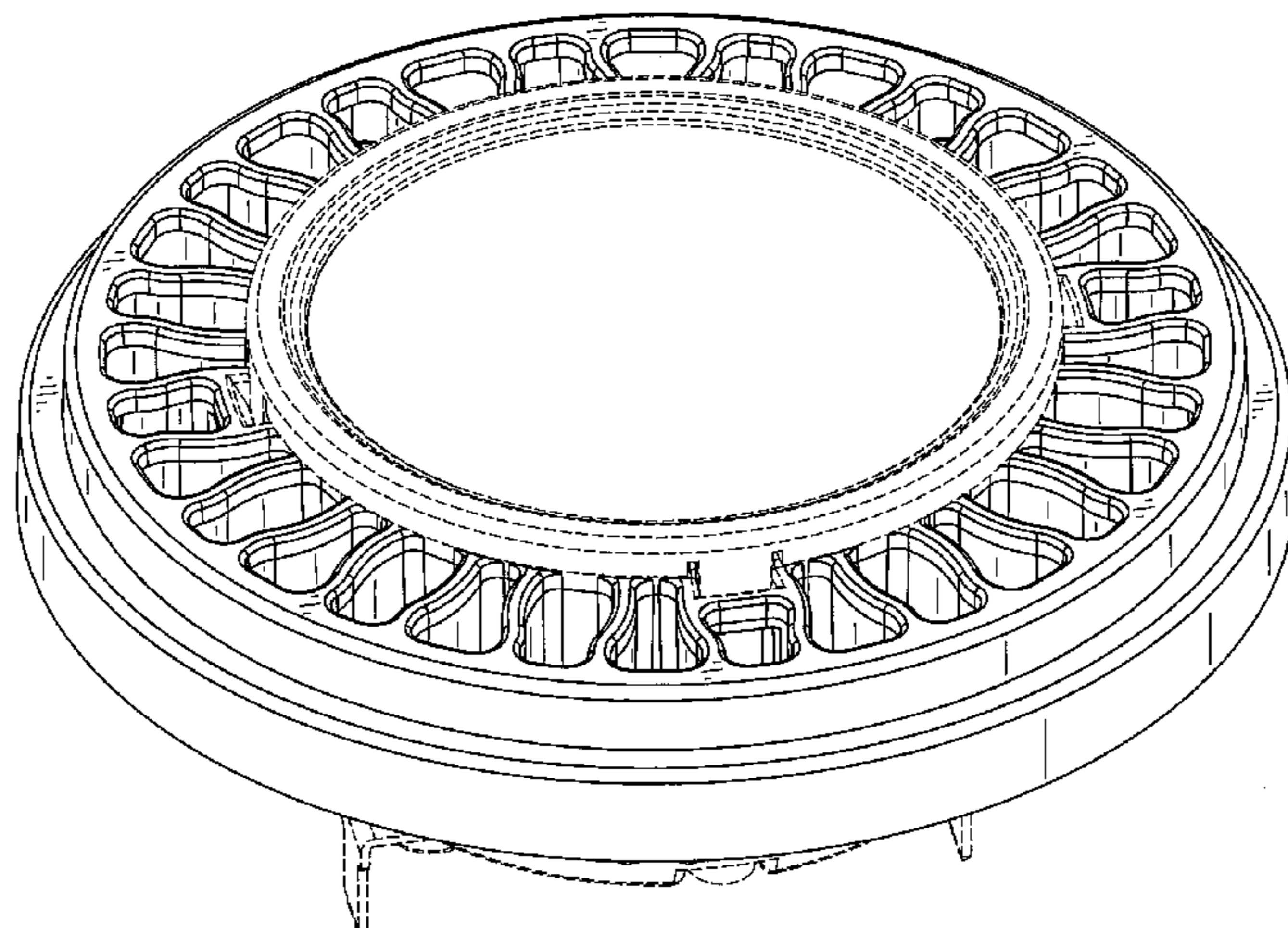
FIG. 1 is a perspective view of a light emitting diode lamp showing an embodiment of our new design;
FIG. 2 is another perspective view thereof;
FIG. 3 is a front view thereof;
FIG. 4 is a rear view thereof;
FIG. 5 is a left side view thereof;
FIG. 6 is a right side view thereof;
FIG. 7 is a top view thereof; and,
FIG. 8 is a bottom view thereof.
The broken line showing of a portion of the light emitting diode lamp is included for the purpose of illustrating only and forms no part of the claimed design.

(56) **References Cited**

U.S. PATENT DOCUMENTS

D542,943 S *	5/2007	Wang	D26/2
D544,110 S *	6/2007	Hooker et al.	D26/2
D546,980 S *	7/2007	Lo	D26/2
D547,886 S *	7/2007	Foo	D26/2
D549,854 S *	8/2007	Takahashi	D26/2
D566,300 S *	4/2008	Lo	D26/2
D582,579 S *	12/2008	Tsai et al.	D26/2
D587,383 S *	2/2009	Wei	D26/2
D691,747 S *	10/2013	Pan	D26/2

1 Claim, 8 Drawing Sheets



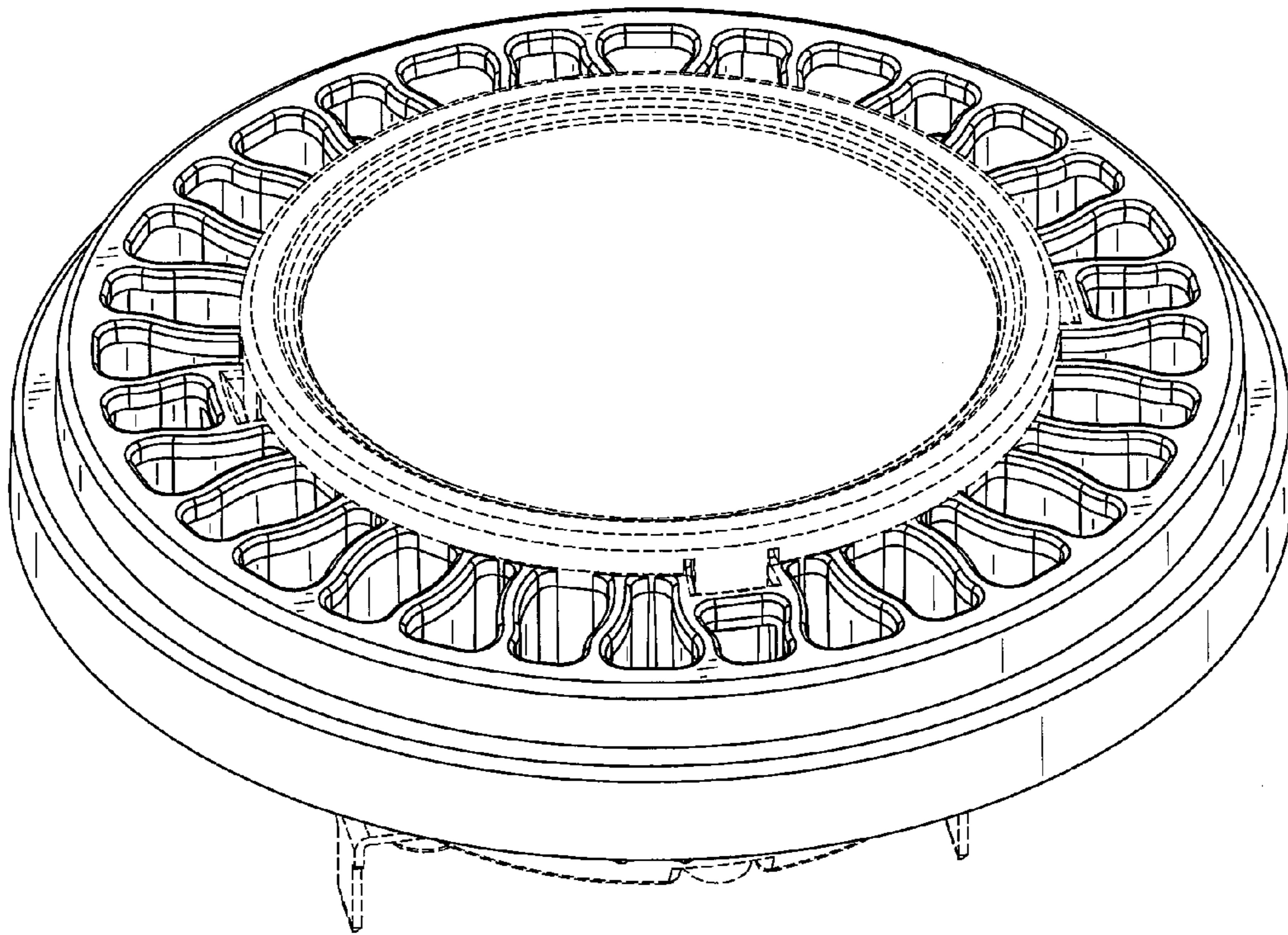


FIG. 1

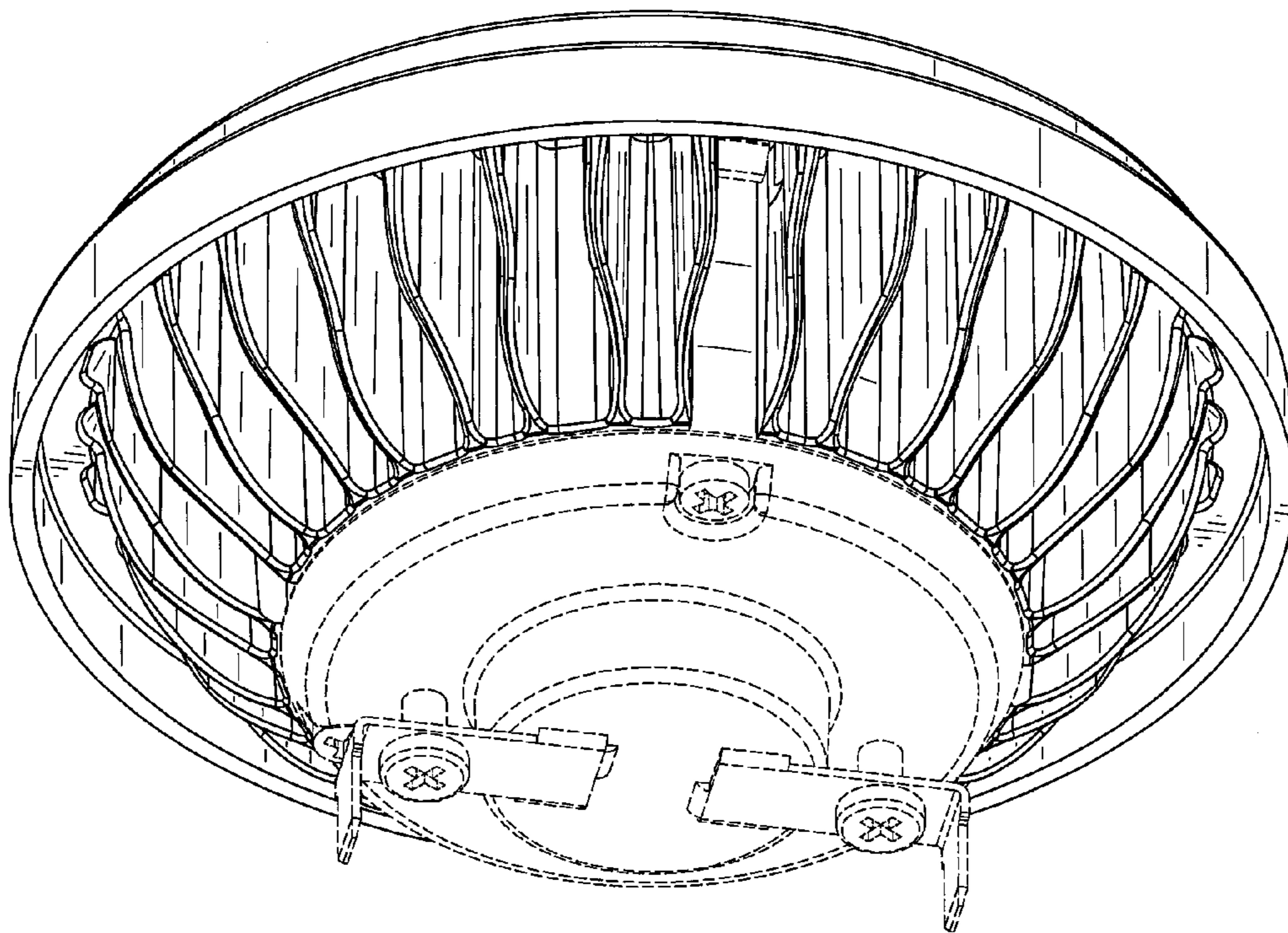


FIG. 2

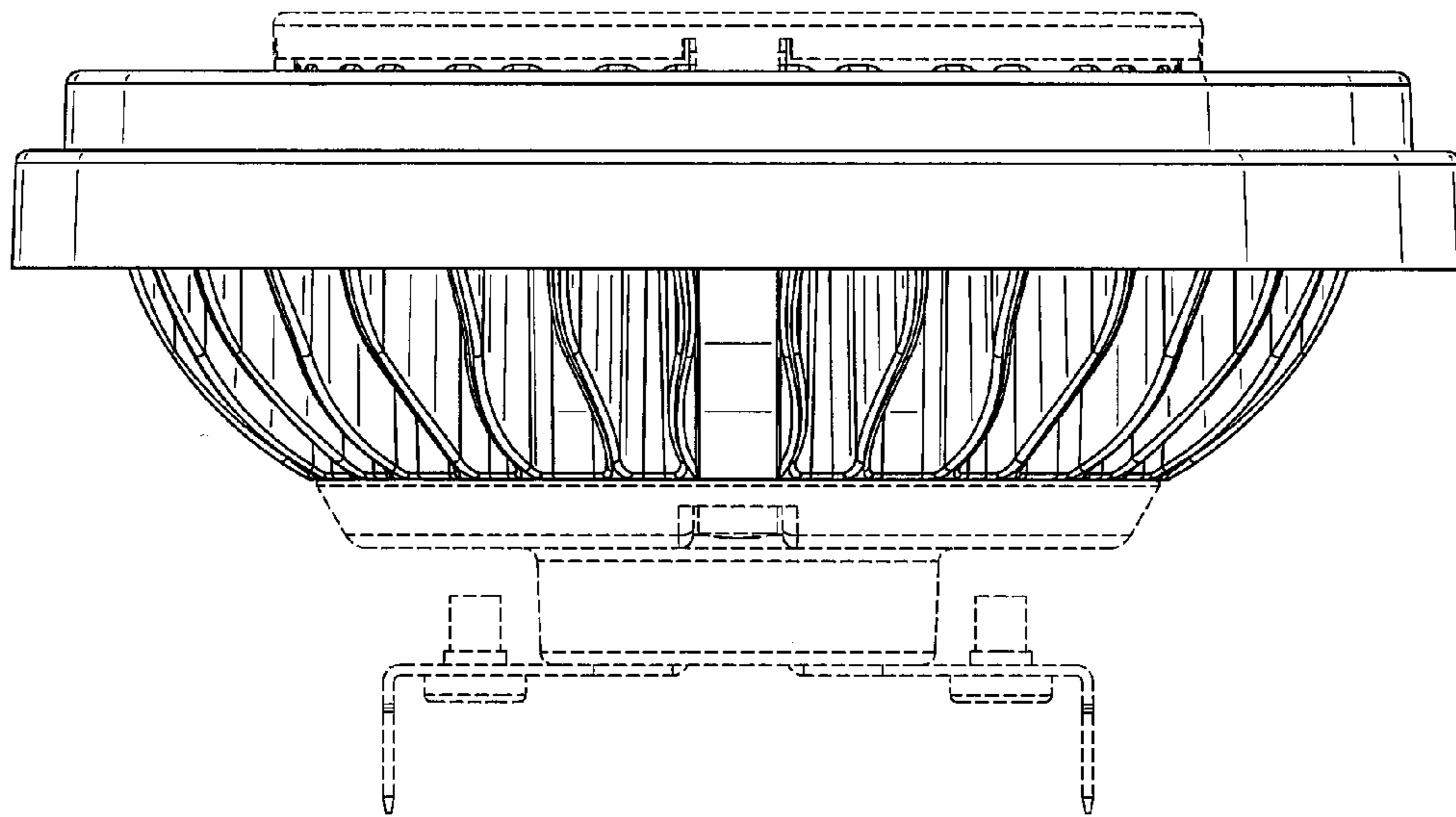


FIG. 3

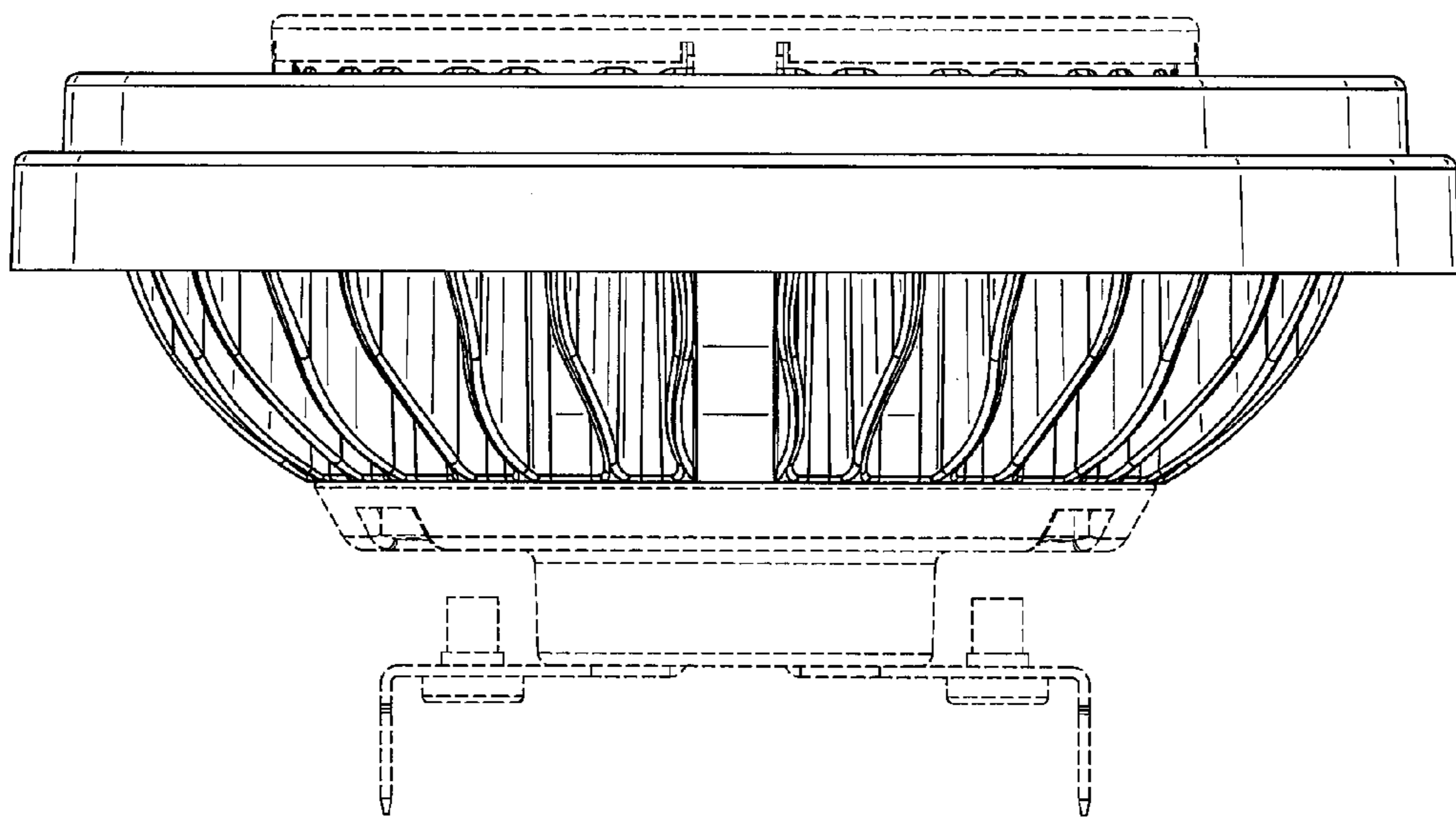


FIG. 4

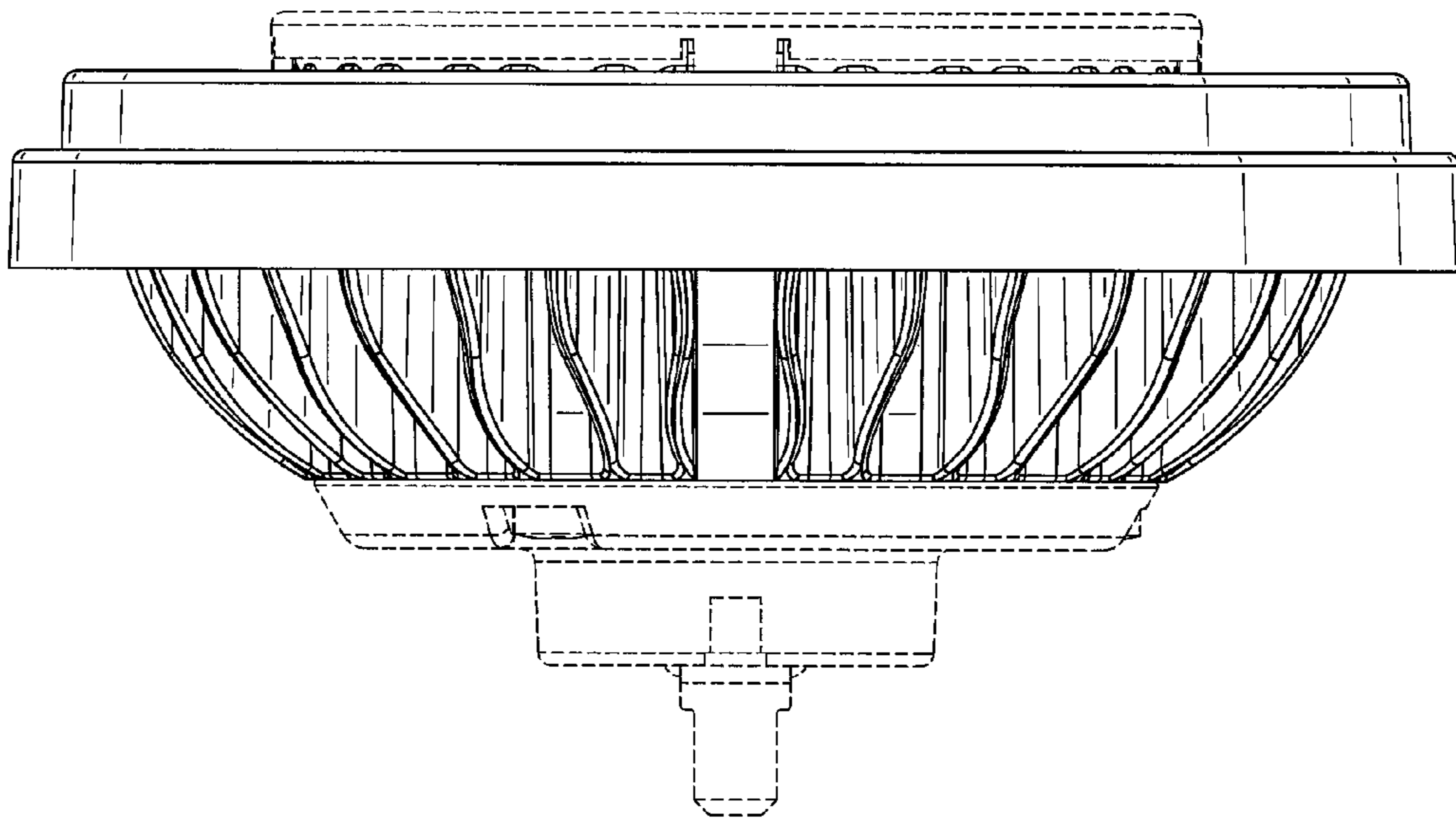


FIG. 5

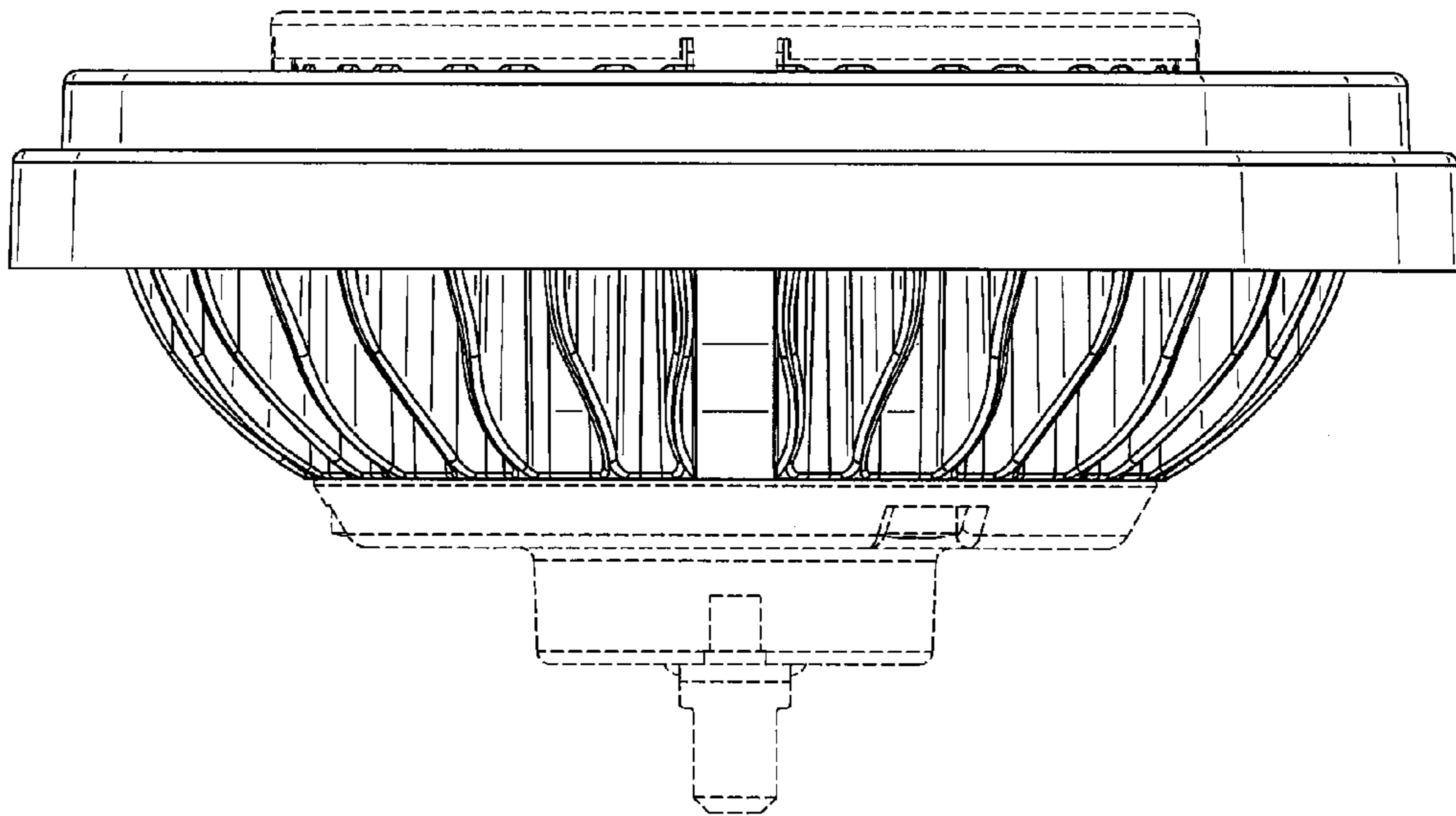


FIG. 6

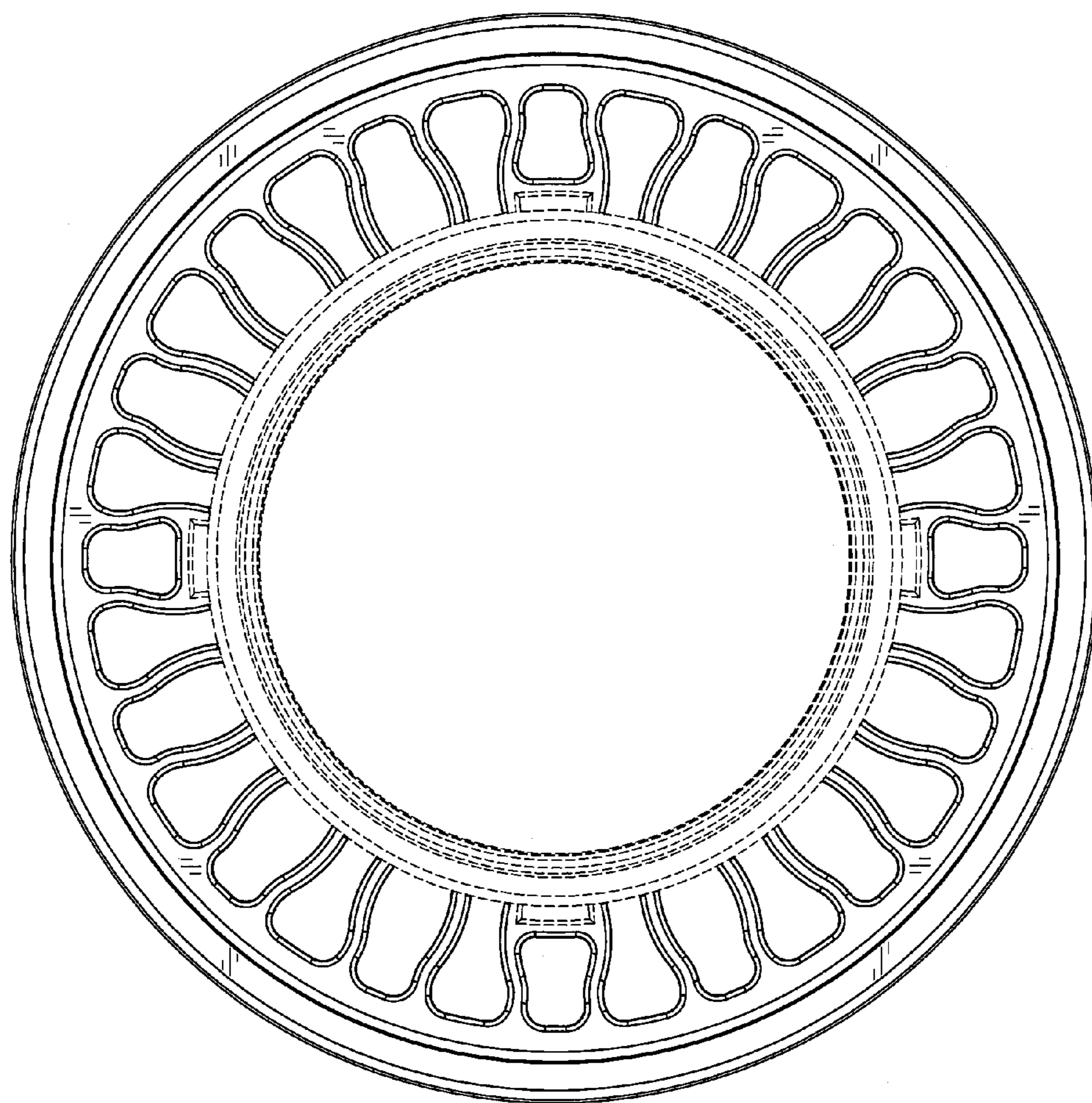


FIG. 7

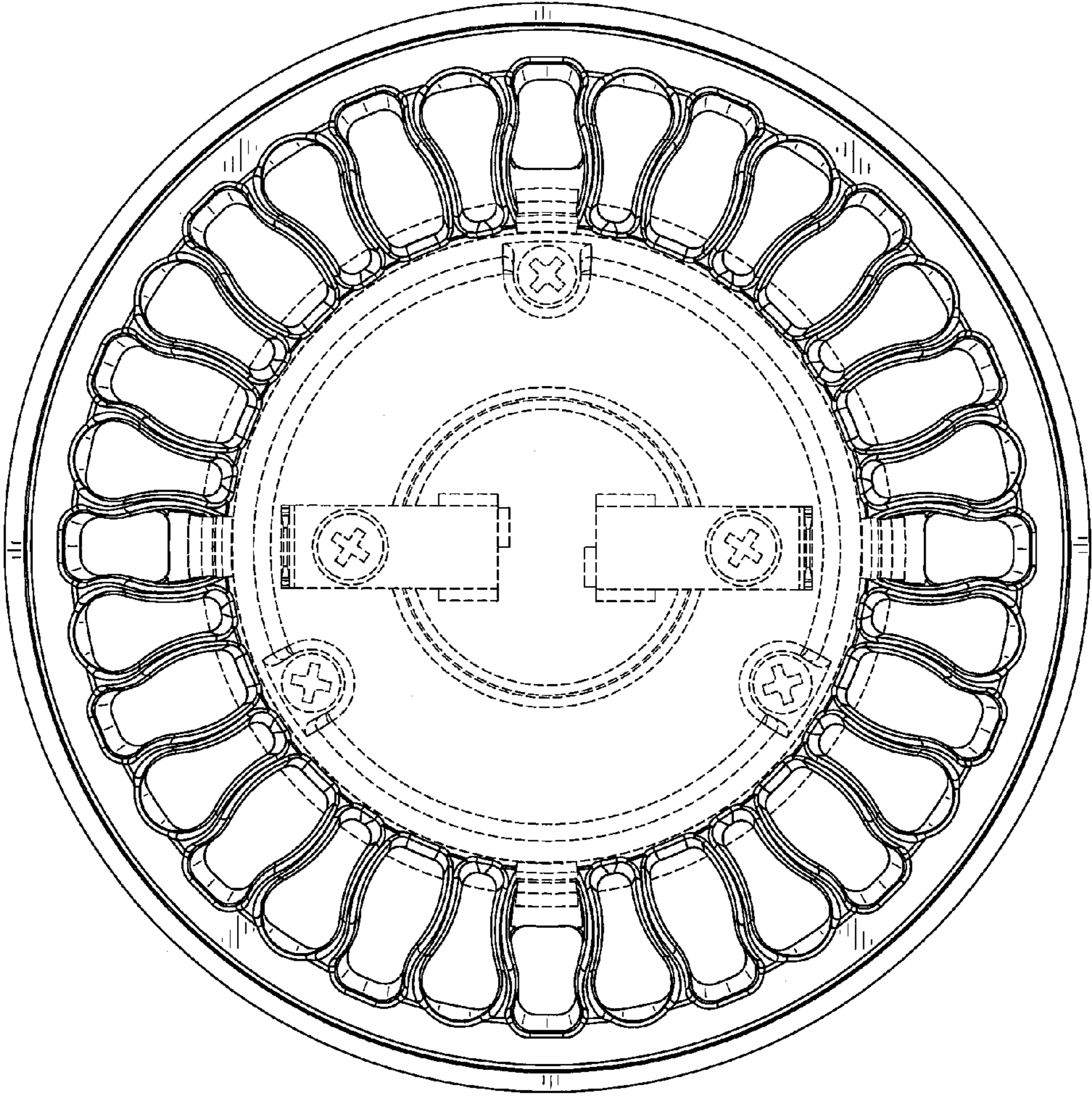


FIG. 8