



US00D701978S

(12) **United States Design Patent**  
**Ke**

(10) **Patent No.:** **US D701,978 S**

(45) **Date of Patent:** **\*\* Apr. 1, 2014**

(54) **LIGHT EMITTING DIODE LAMP**

(56) **References Cited**

(75) Inventor: **Yu-Chuan Ke**, New Taipei (TW)

U.S. PATENT DOCUMENTS

(73) Assignees: **Cal-Comp Electronics & Communications Company Limited**, New Taipei (TW); **Kinpo Electronics, Inc.**, New Taipei (TW)

D545,457 S *	6/2007	Chen .....	D26/2
D584,428 S *	1/2009	Li et al. ....	D26/2
D587,384 S *	2/2009	Wei .....	D26/2
D592,766 S *	5/2009	Zhu et al. ....	D26/2
D687,985 S *	8/2013	Tu .....	D26/2

(\*\*) Term: **14 Years**

\* cited by examiner

(21) Appl. No.: **29/422,915**

*Primary Examiner* — Marcus Jackson

(22) Filed: **May 24, 2012**

(74) *Attorney, Agent, or Firm* — Jianq Chyun IP Office

(57) **CLAIM**

The ornamental design for a light emitting diode lamp, as shown and described.

(30) **Foreign Application Priority Data**

**DESCRIPTION**

Dec. 2, 2011 (EP) ..... 001304703

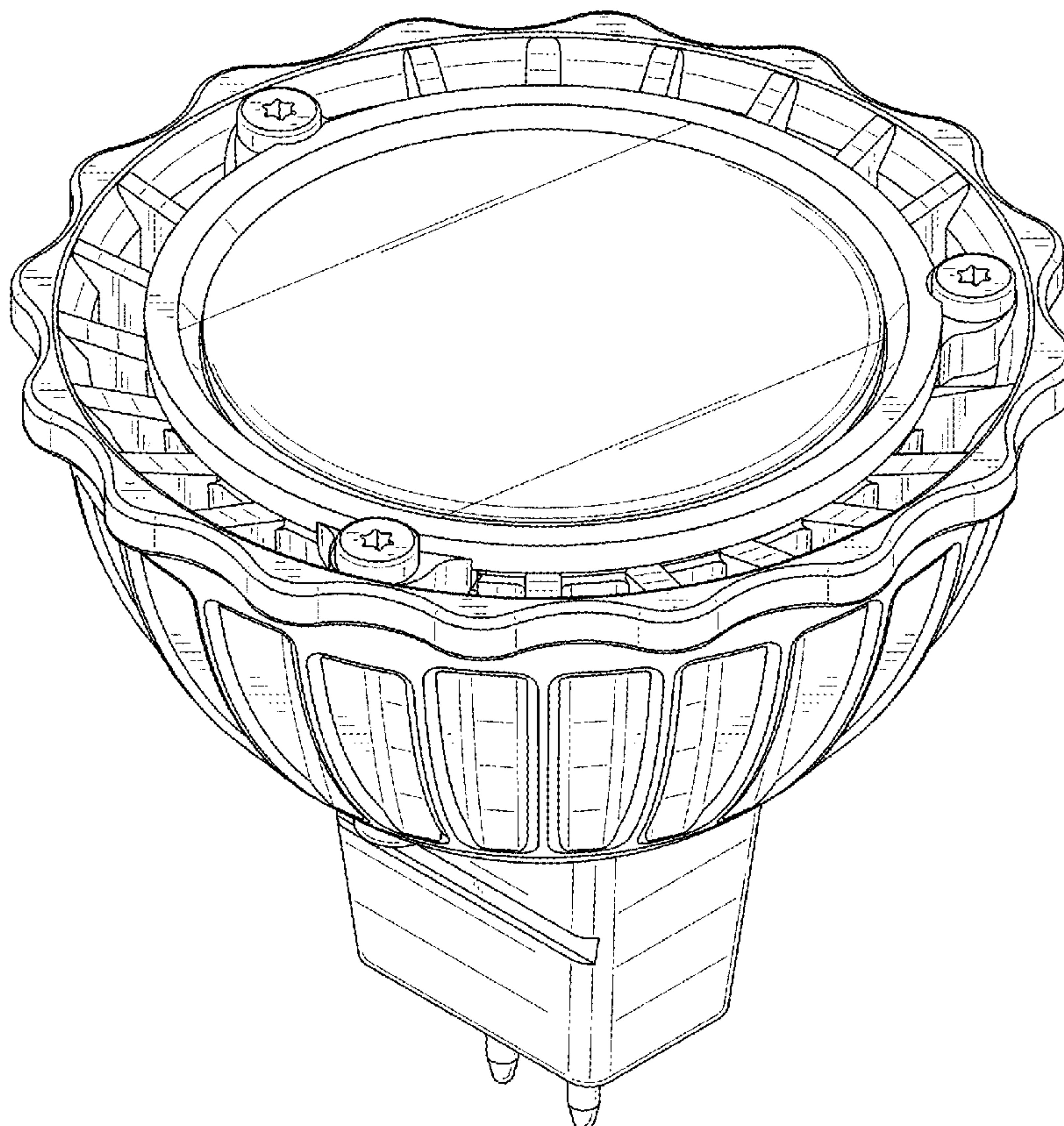
(51) **LOC (10) Cl.** ..... **26-04**

(52) **U.S. Cl.**  
USPC ..... **D26/2**

(58) **Field of Classification Search**  
USPC ..... D26/1-4; 313/313, 315, 316, 317, 318,  
313/493; 315/52, 53, 56, 57, 58  
See application file for complete search history.

FIG. 1 is a perspective view of a light emitting diode lamp showing an embodiment of our new design; FIG. 2 is a front view thereof; FIG. 3 is a rear view thereof; FIG. 4 is a left side view thereof; FIG. 5 is a right side view thereof; FIG. 6 is a top view thereof; and, FIG. 7 is a bottom view thereof.

**1 Claim, 7 Drawing Sheets**



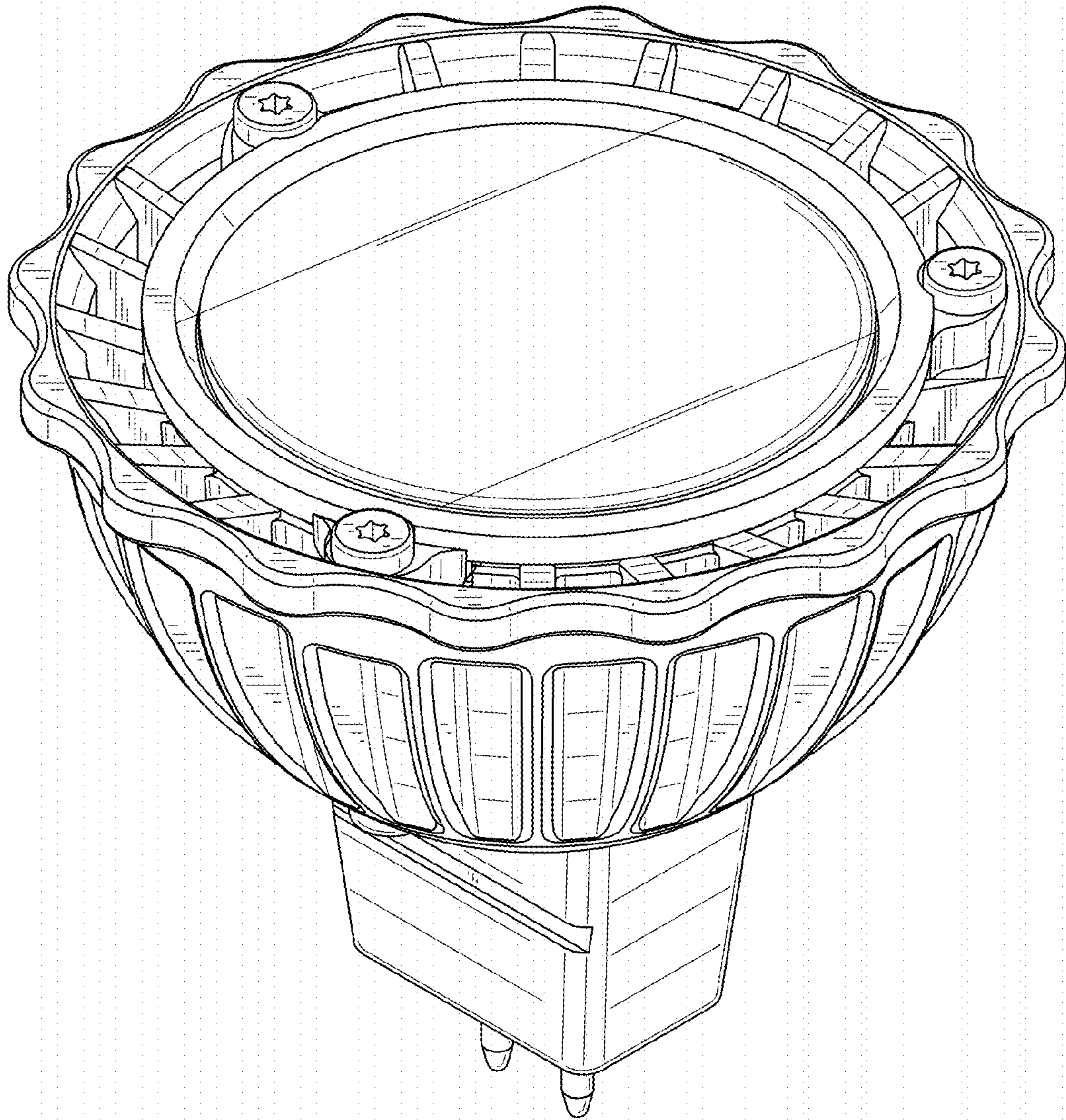


FIG. 1



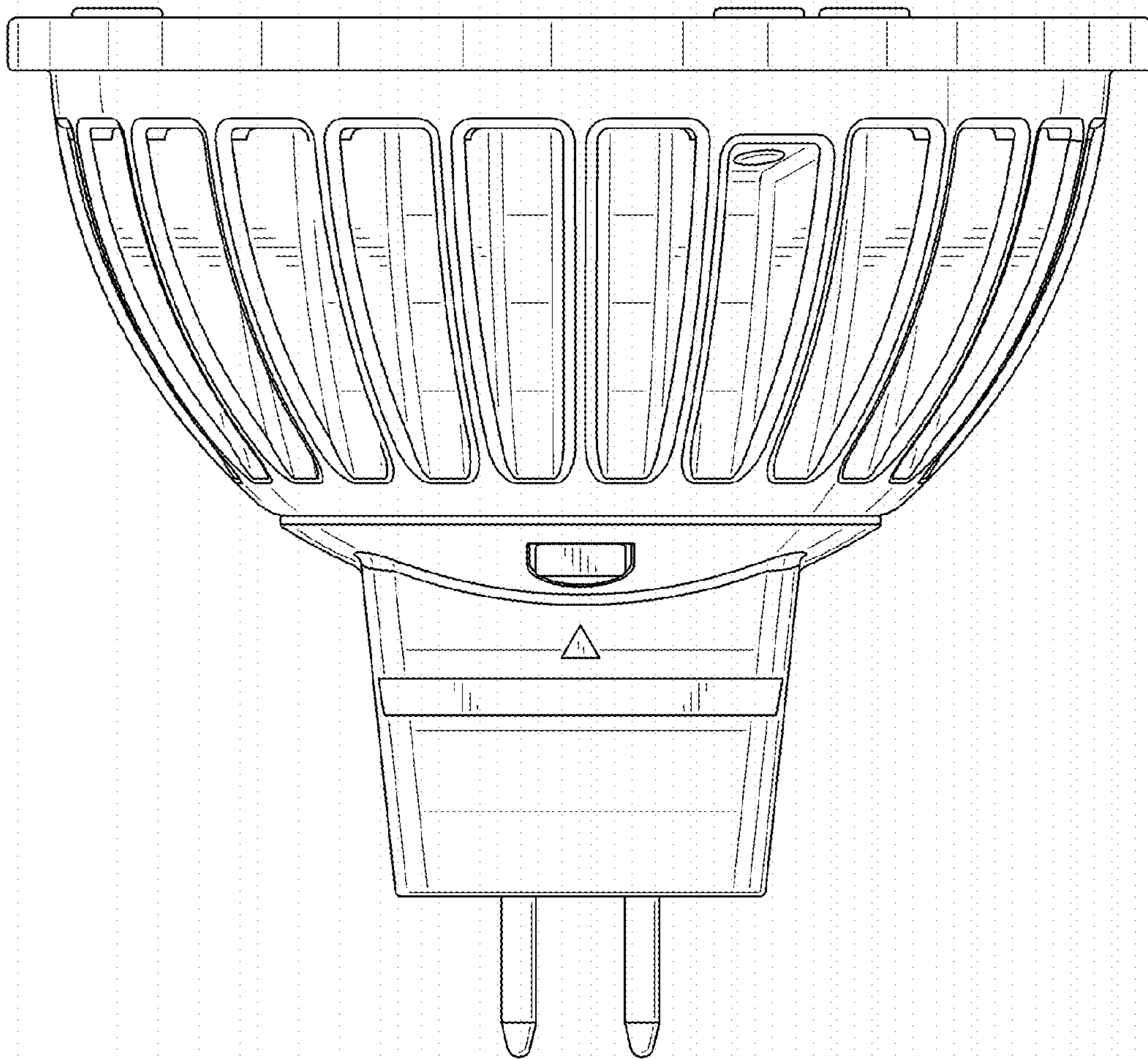


FIG. 2

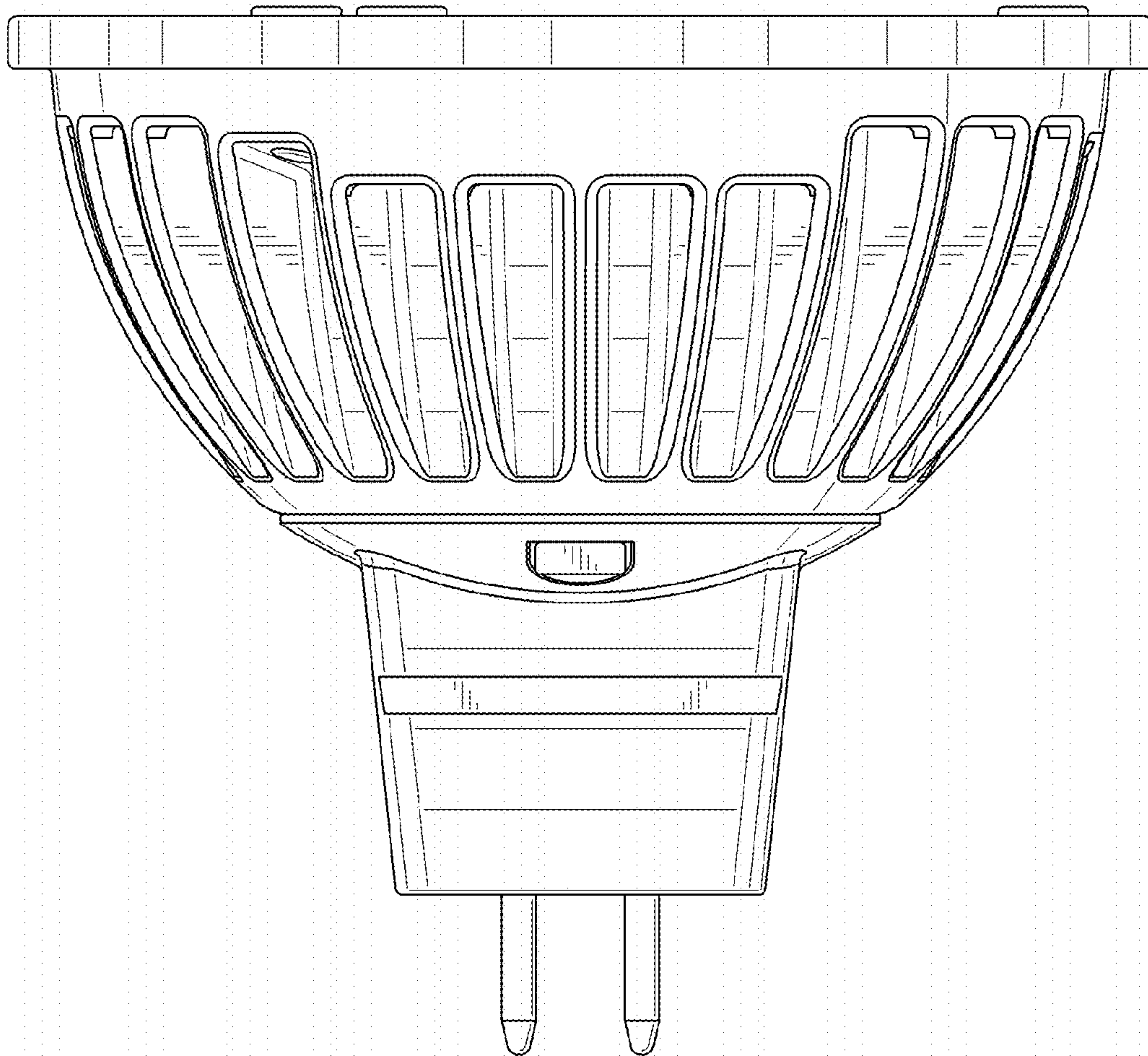


FIG. 3

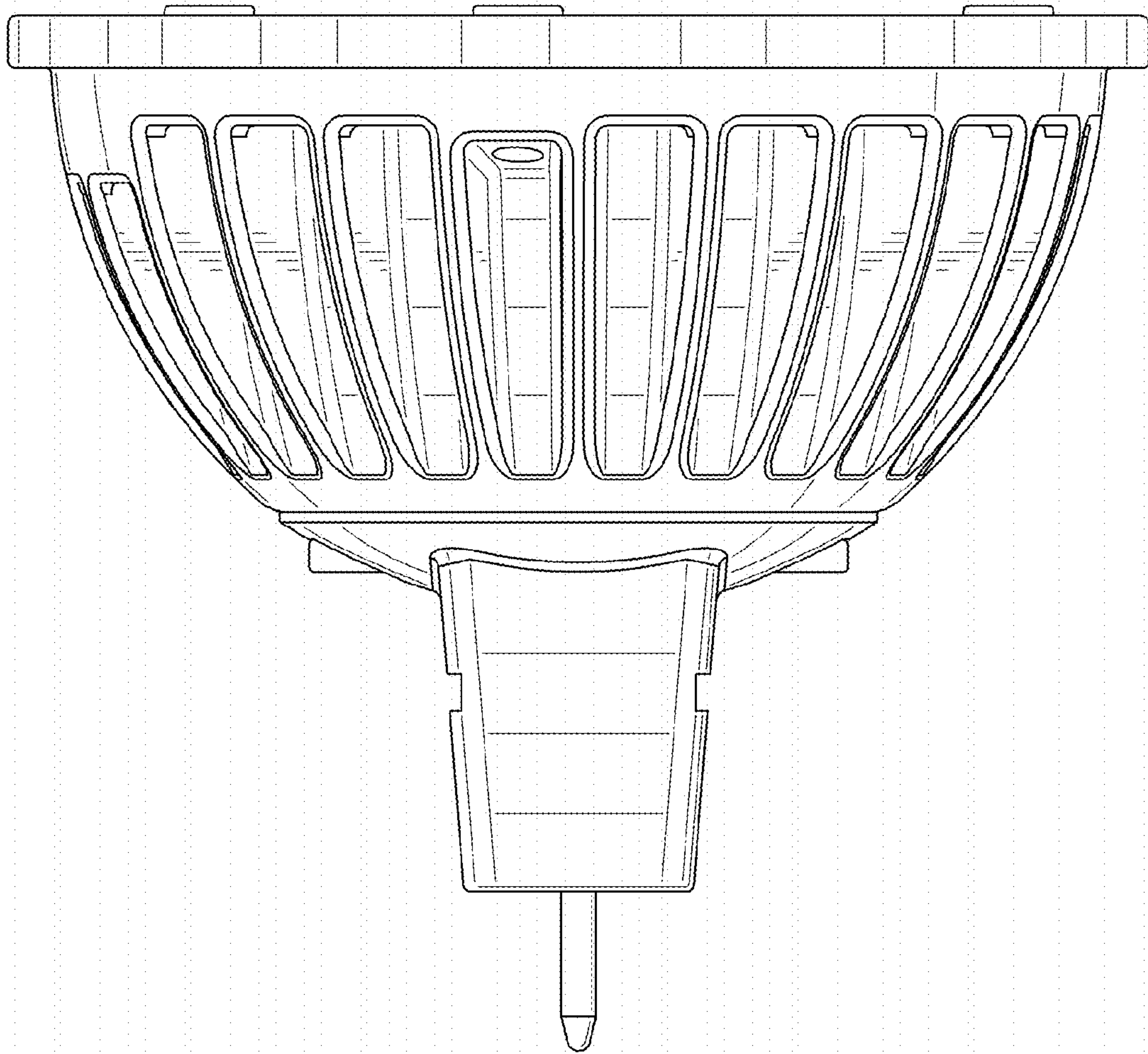


FIG. 4

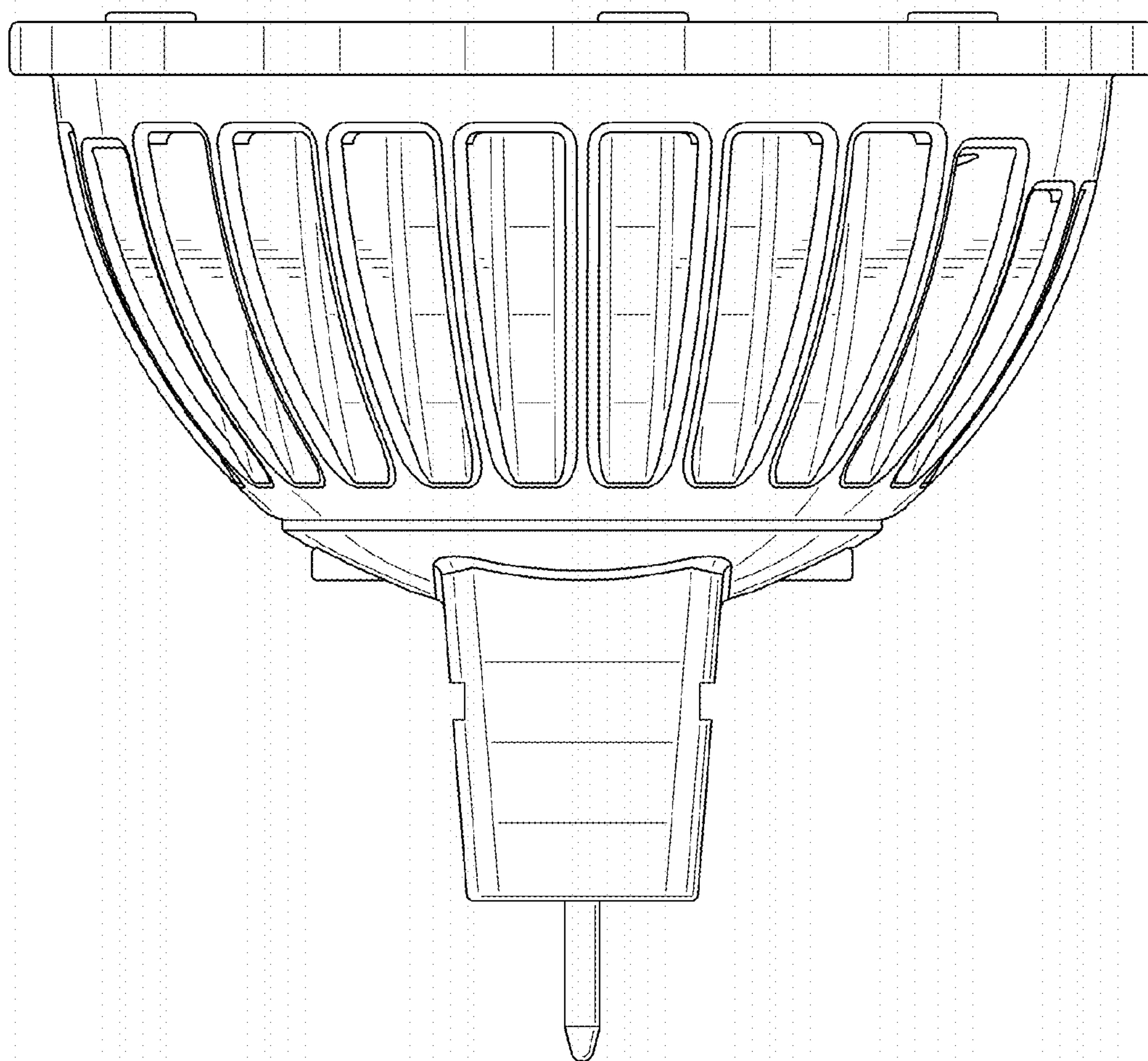


FIG. 5



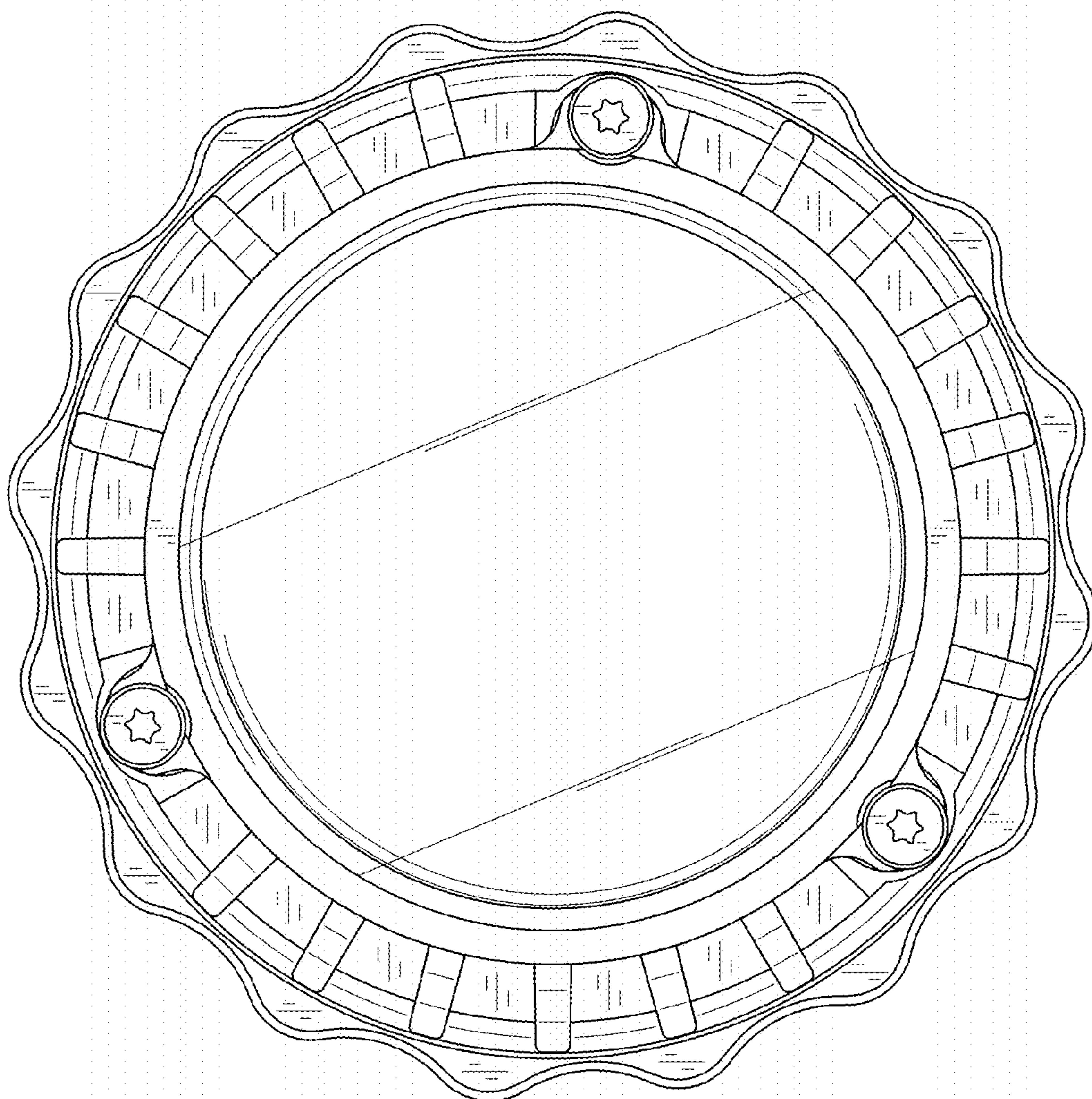


FIG. 6

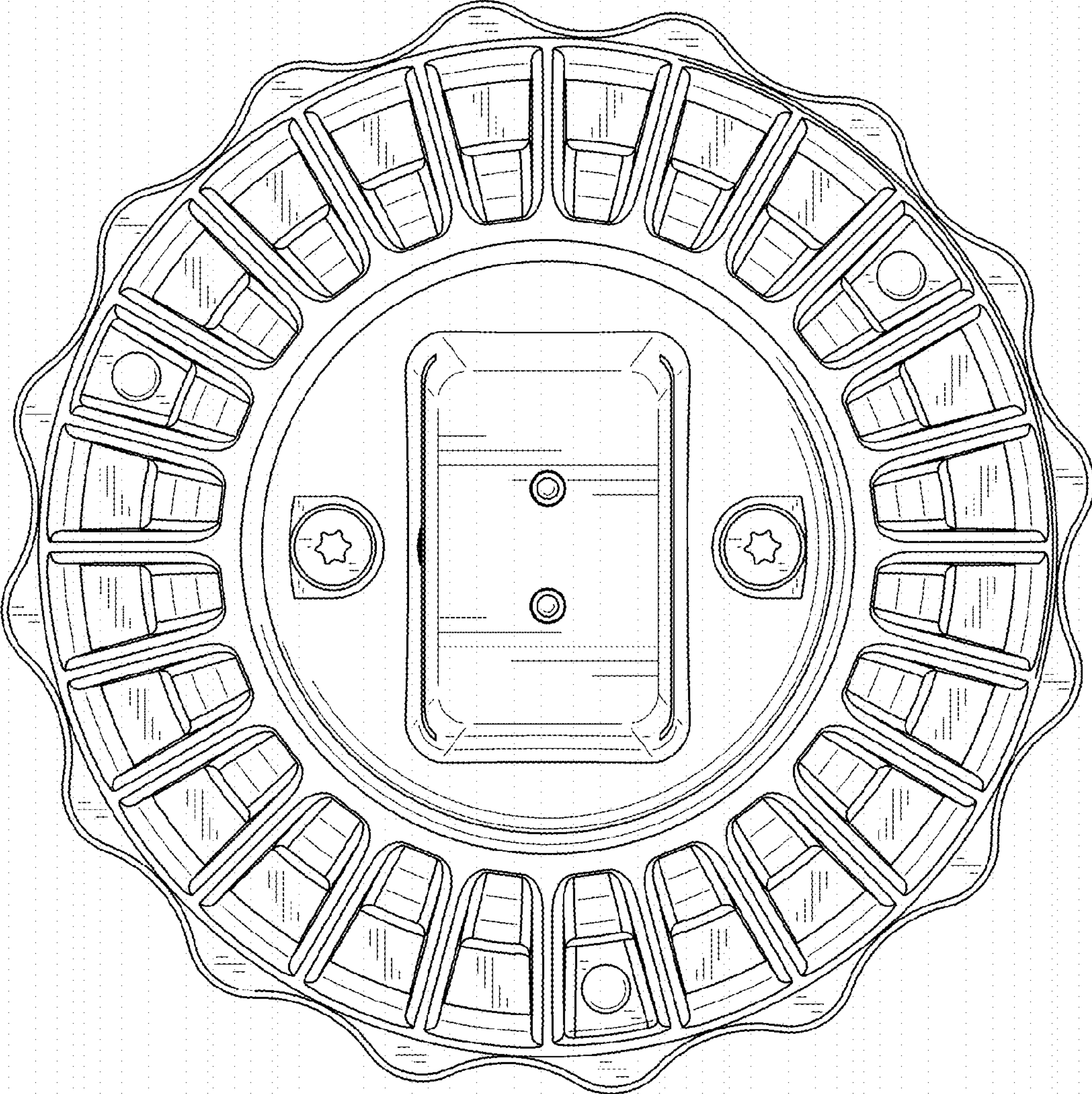


FIG. 7