



US00D701975S

(12) **United States Design Patent**
Gruhlke

(10) **Patent No.:** **US D701,975 S**

(45) **Date of Patent:** **** Apr. 1, 2014**

(54) **SLEEVE FOR A BARRIER**

(76) Inventor: **David Gruhlke**, Zimmerman, MN (US)

(**) Term: **14 Years**

(21) Appl. No.: **29/425,835**

(22) Filed: **Jun. 27, 2012**

(51) **LOC (10) Cl.** **25-01**

(52) **U.S. Cl.**
USPC **D25/126; D25/135**

(58) **Field of Classification Search**
USPC D25/135, 126; 52/300; 403/6, 8;
256/11, 65.01

See application file for complete search history.

(56) **References Cited**

U.S. PATENT DOCUMENTS

3,352,581 A * 11/1967 Robbins et al. 403/244
4,502,812 A * 3/1985 Zucker 404/6
D452,333 S * 12/2001 Merrick D25/135
6,491,470 B1 * 12/2002 Gertz 404/6

6,609,702 B1 * 8/2003 Steffes 256/1
D583,081 S * 12/2008 Ryan D25/126
D583,082 S * 12/2008 Baxter D25/126

* cited by examiner

Primary Examiner — Doris Clark

(74) *Attorney, Agent, or Firm* — Patterson Thunte Pedersen, P.A.

(57) **CLAIM**

I claim the ornamental design for sleeve for a barrier, as shown and described.

DESCRIPTION

FIG. 1 is a perspective view of a sleeve for a barrier showing the claimed design.

FIG. 2 is a side elevation view thereof.

FIG. 3 is a front elevation view thereof.

FIG. 4 is a rear elevation view thereof.

FIG. 5 is a top plan view thereof; and,

FIG. 6 is a bottom plan view thereof.

Items shown in broken lines are for illustrative purposes only and form no part of the claimed invention.

1 Claim, 3 Drawing Sheets

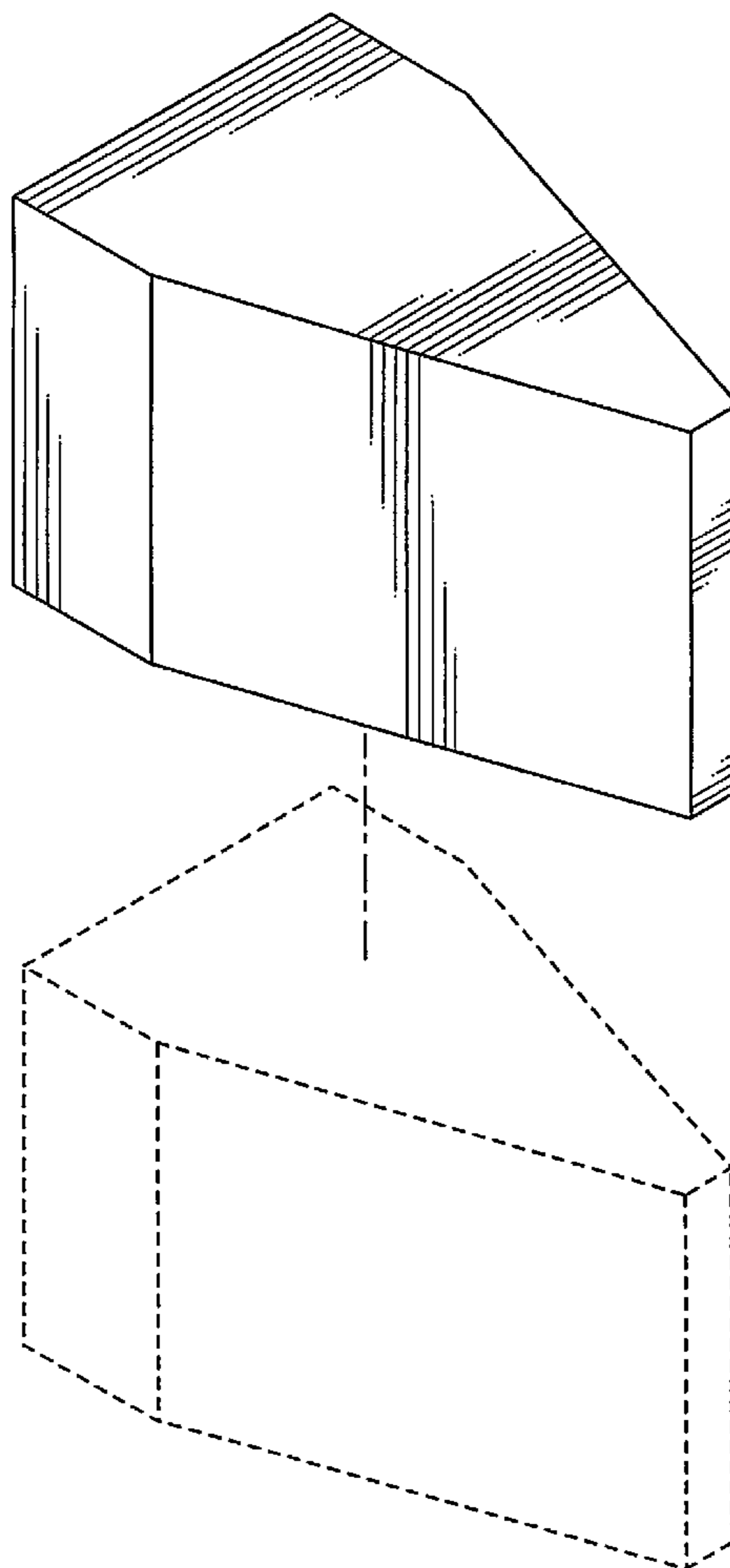


Fig. 1

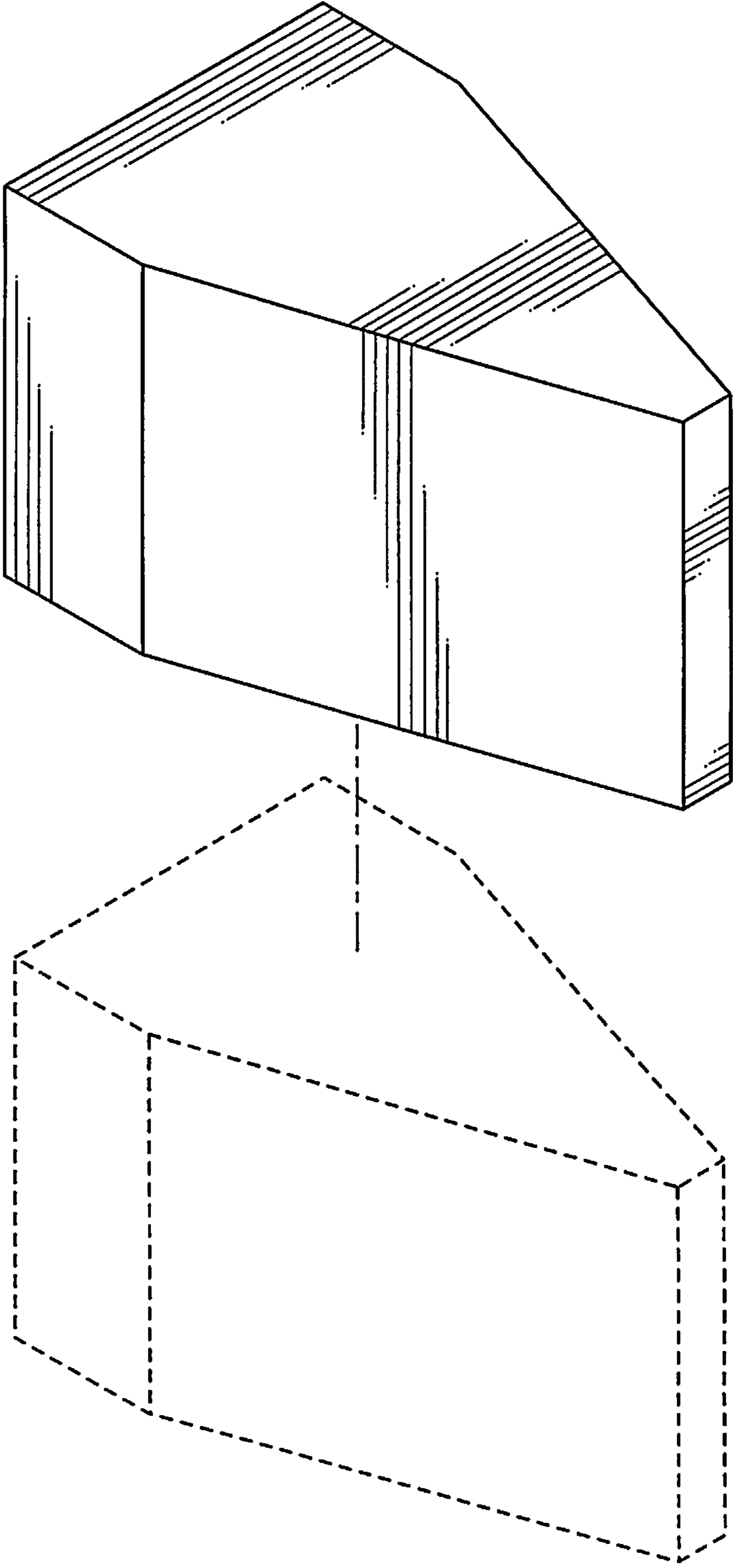


Fig. 2

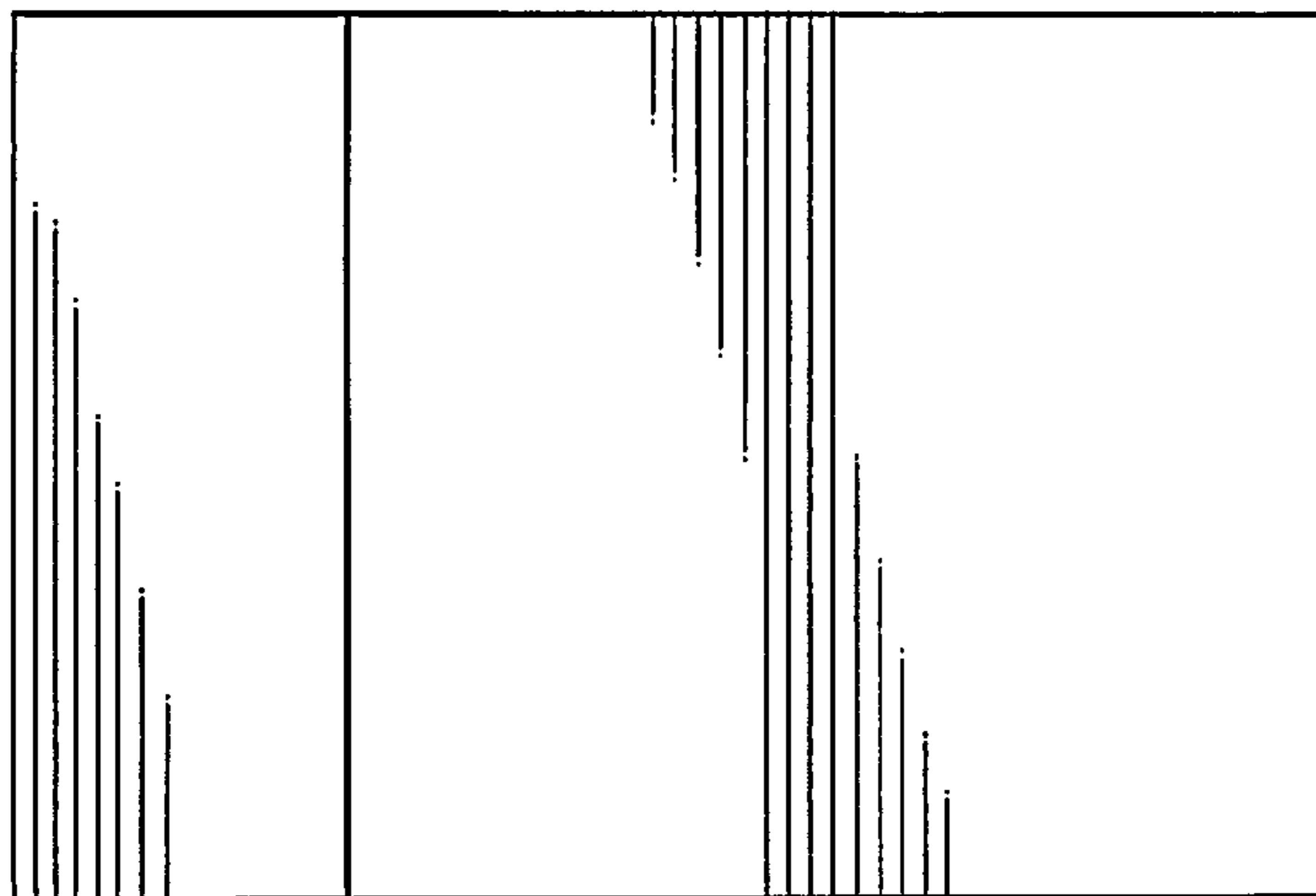


Fig. 3

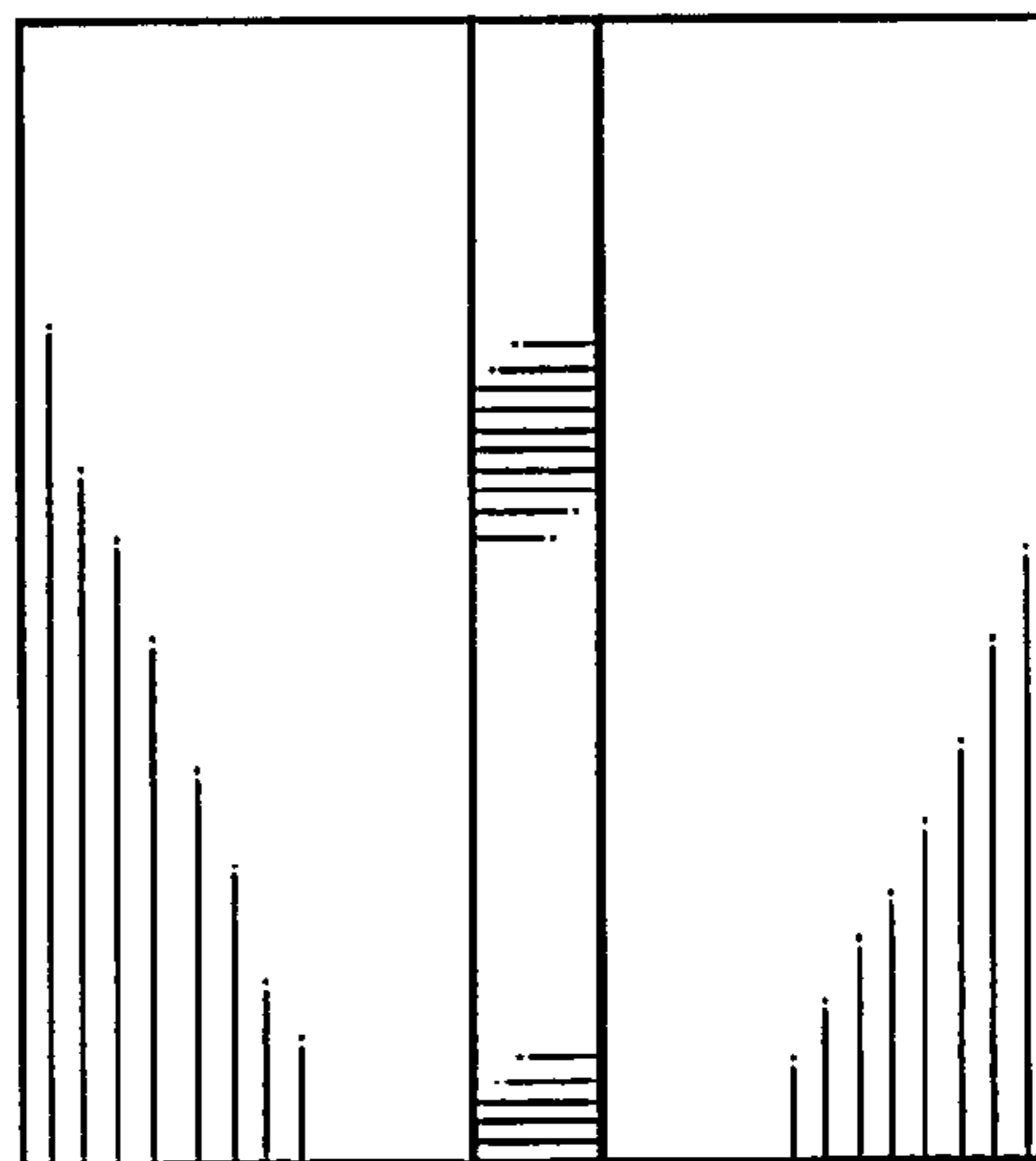


Fig. 4

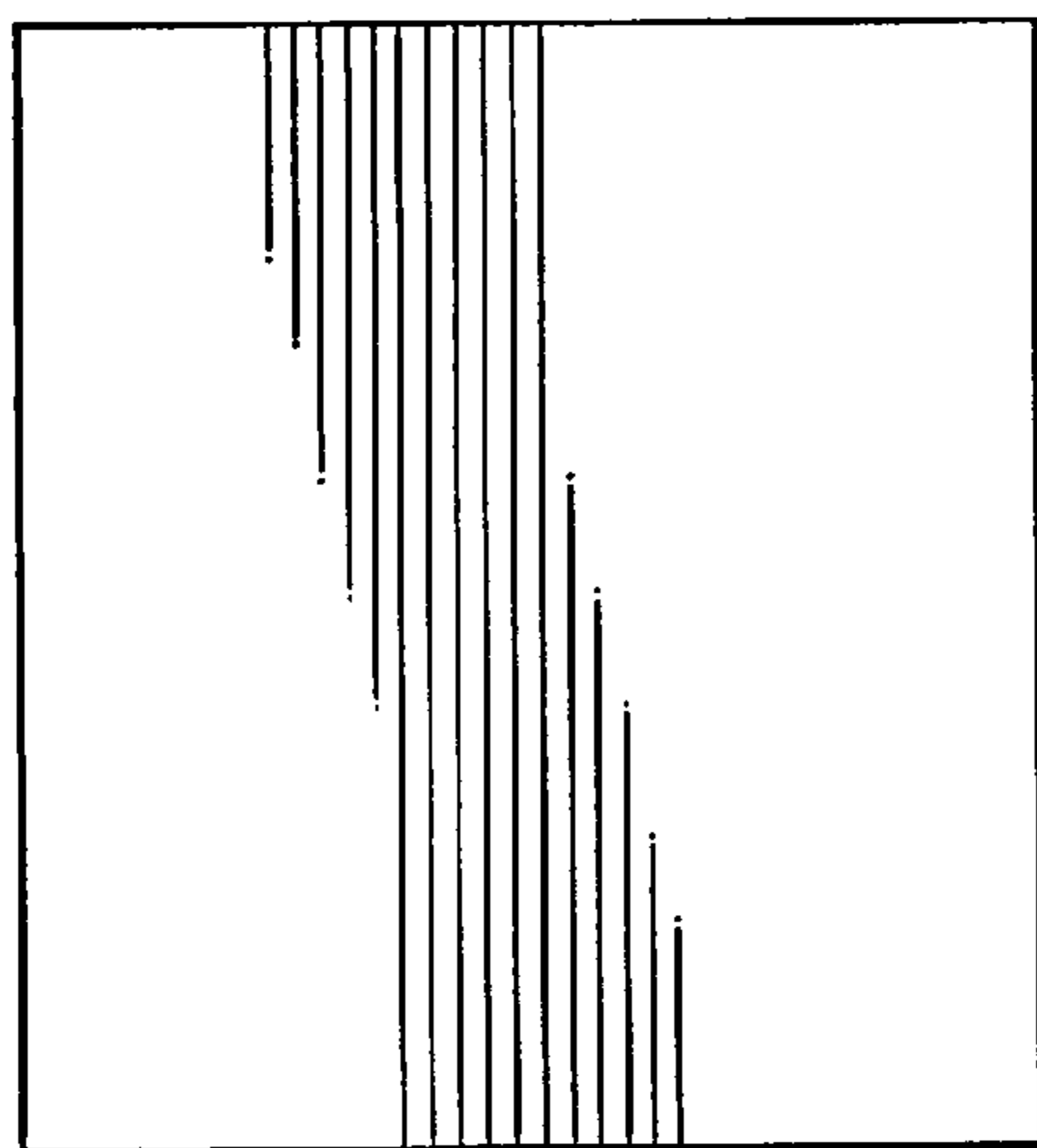


Fig. 5

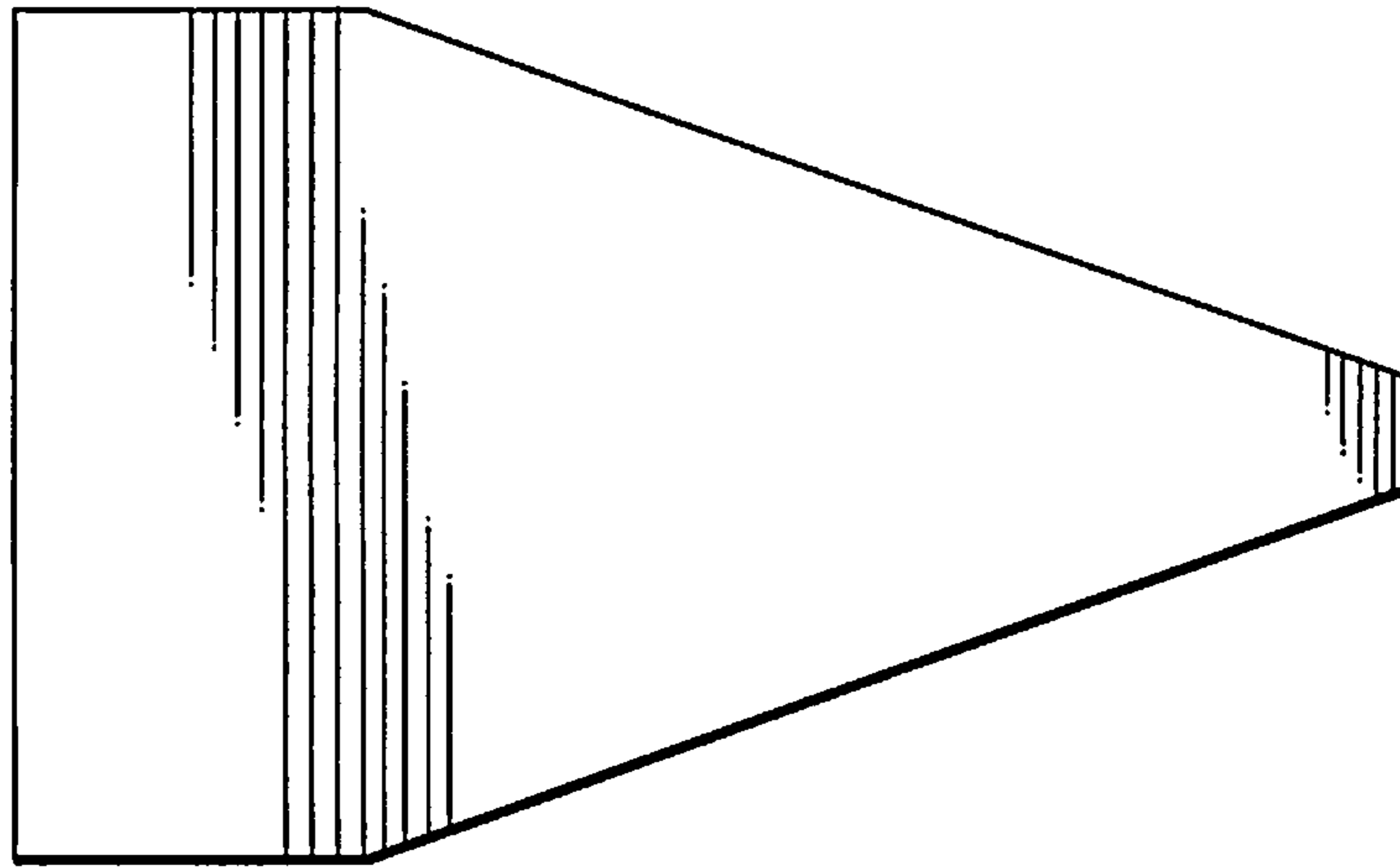


Fig. 6

