



US00D701972S

(12) **United States Design Patent**
Ohmae

(10) **Patent No.:** **US D701,972 S**
(45) **Date of Patent:** **** Apr. 1, 2014**

(54) **STORAGE CASE FOR SAMPLE PLATE**

(71) Applicant: **Sysmex Corporation**, Kobe (JP)

(72) Inventor: **Yuichiro Ohmae**, Kobe (JP)

(73) Assignee: **Sysmex Corporation**, Kobe (JP)

(**) Term: **14 Years**

(21) Appl. No.: **29/450,436**

(22) Filed: **Mar. 18, 2013**

(30) **Foreign Application Priority Data**

Sep. 28, 2012 (JP) 2012-023582

(51) **LOC (10) Cl.** **24-02**

(52) **U.S. Cl.**
USPC **D24/229**

(58) **Field of Classification Search**
USPC D24/216, 217, 222, 224-230;
D3/203.1; 422/26, 297, 300, 301, 302,
422/99-104, 63-64, 559, 562; 206/363,
206/366, 370, 438, 443, 563, 446;
220/256.1, 805, 362; 211/69, 71-74;
494/7; 414/741; 435/91.2

See application file for complete search history.

(56) **References Cited**

U.S. PATENT DOCUMENTS

3,674,198 A * 7/1972 Eberle 494/7
D257,175 S * 9/1980 Terk D24/226
D260,428 S * 8/1981 Fekete D24/226
D276,271 S * 11/1984 Boris D24/226
D282,579 S * 2/1986 Juergens D24/230
D332,145 S * 12/1992 Wada et al. D24/227

D333,522 S * 2/1993 Gianino D24/229
D333,523 S * 2/1993 Gianino D24/229
D335,348 S * 5/1993 Frenkel et al. D24/224
5,217,694 A * 6/1993 Gibler et al. 422/562
D365,153 S * 12/1995 Robertson, Jr. D24/224
5,788,928 A * 8/1998 Carey et al. 422/559
D408,058 S * 4/1999 Isaacs D24/230
D448,087 S * 9/2001 Regan D24/225
D534,658 S * 1/2007 Bargh D24/229
7,338,249 B1 * 3/2008 Zanon 414/741
D624,659 S * 9/2010 Nuotio D24/224
D631,557 S * 1/2011 Tajima et al. D24/229
2008/0220481 A1 * 9/2008 Mortillaro et al. 435/91.2

FOREIGN PATENT DOCUMENTS

WO WO 2006/098441 A1 9/2006

* cited by examiner

Primary Examiner — T. Chase Nelson

Assistant Examiner — Mark Cavanna

(74) *Attorney, Agent, or Firm* — Brinks Gilson & Lione

(57) **CLAIM**

I claim the ornamental design for a storage case for sample plate, as shown and described.

DESCRIPTION

FIG. 1 is a top perspective view of a storage case for sample plate of the present invention;
FIG. 2 is a front view thereof;
FIG. 3 is a rear view thereof;
FIG. 4 is a top view thereof;
FIG. 5 is a bottom view thereof;
FIG. 6 is a first side view thereof, the second side view being a mirror image thereof; and,
FIG. 7 is a cross-section view taken along the line 7 of FIG. 6.

1 Claim, 7 Drawing Sheets

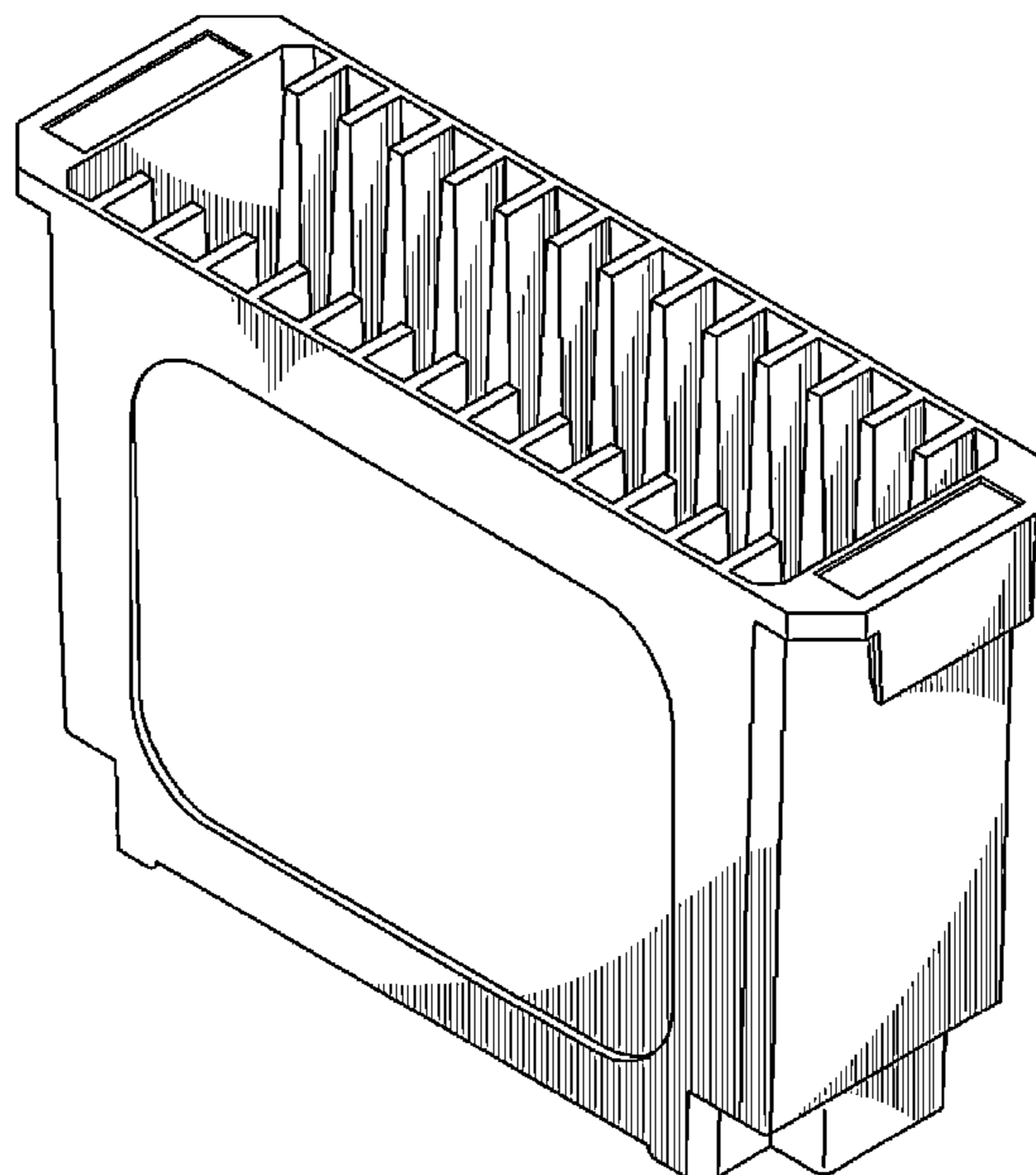


FIG. 1

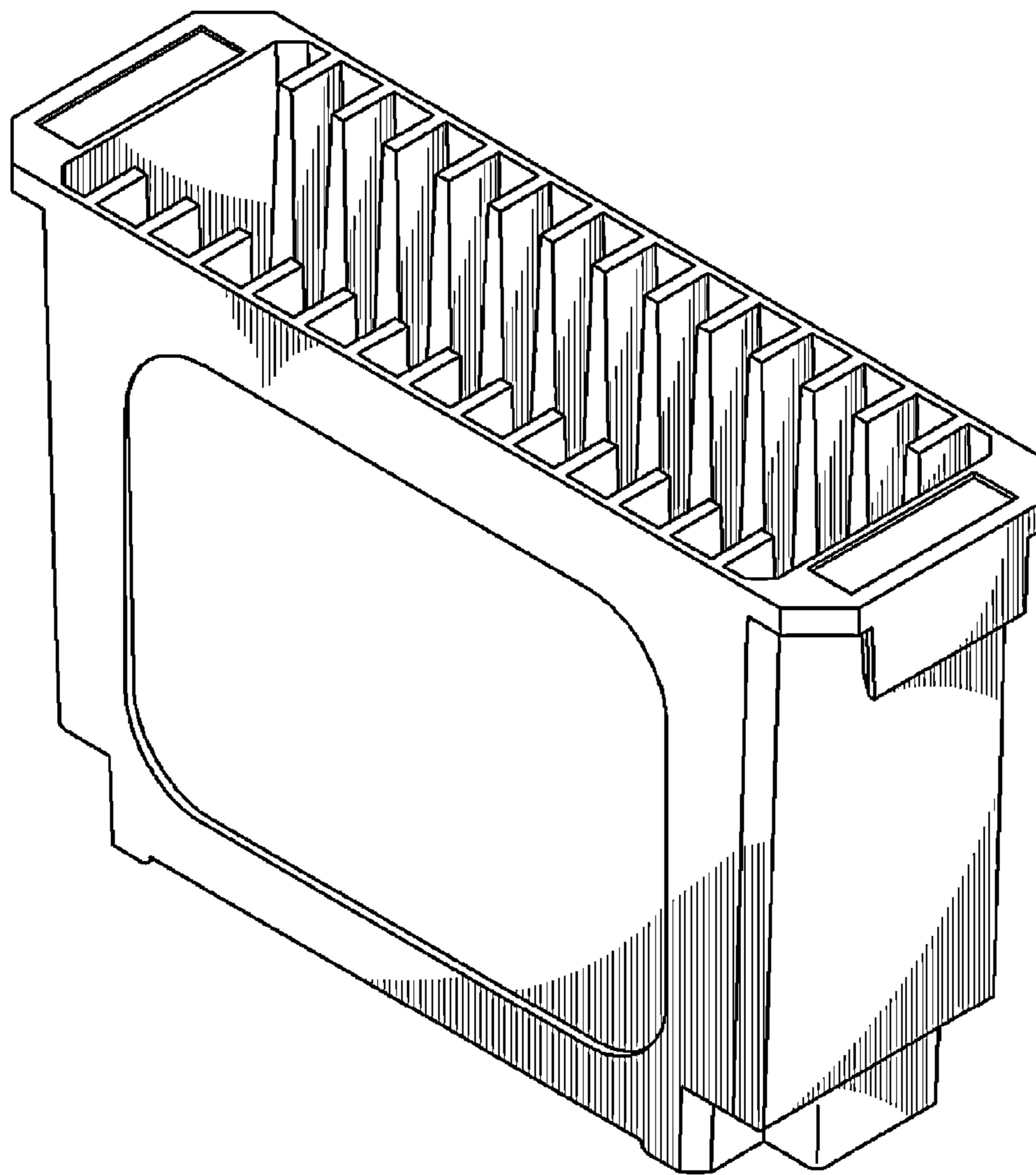


FIG. 2

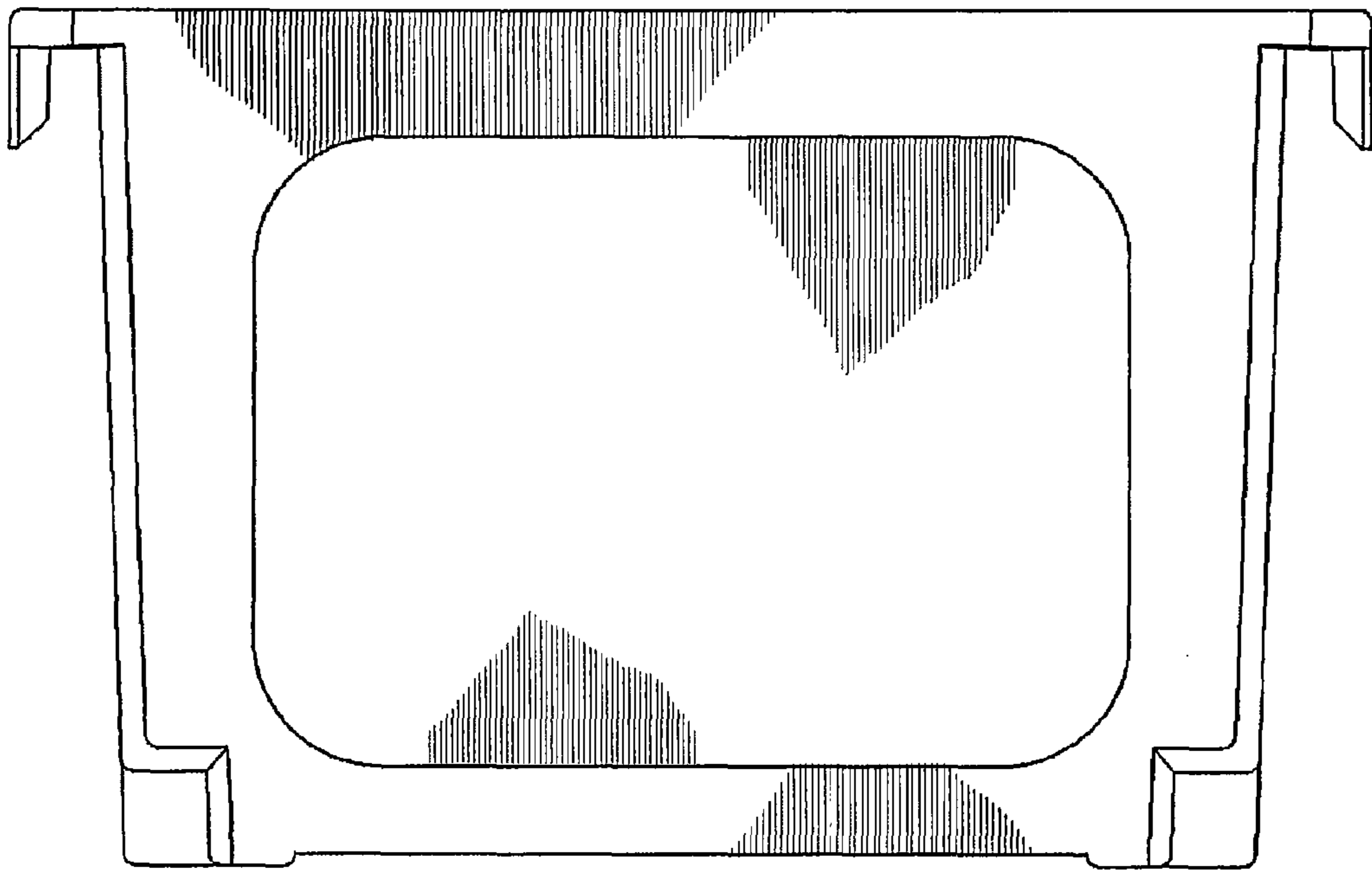


FIG. 3

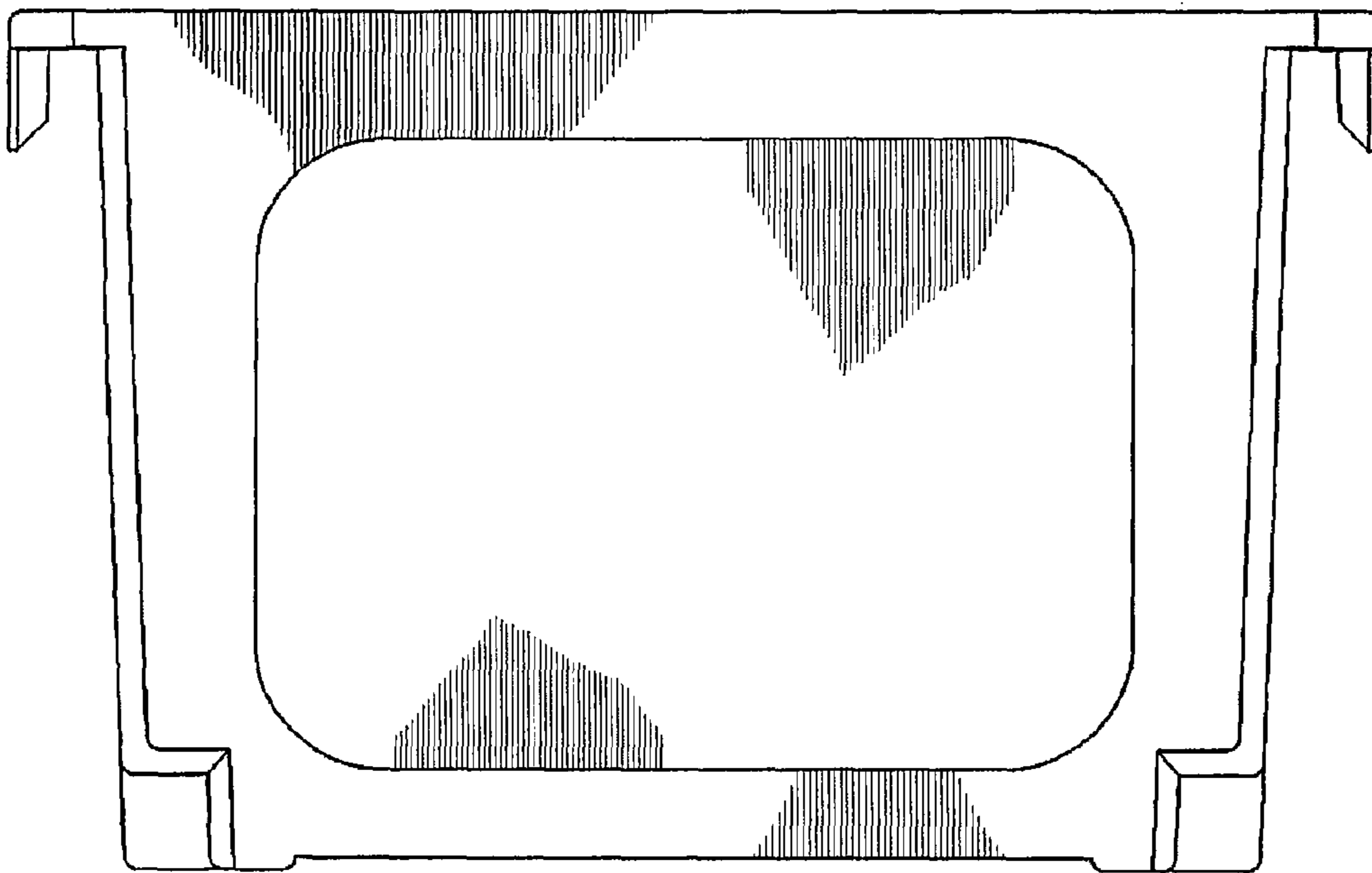


FIG. 4

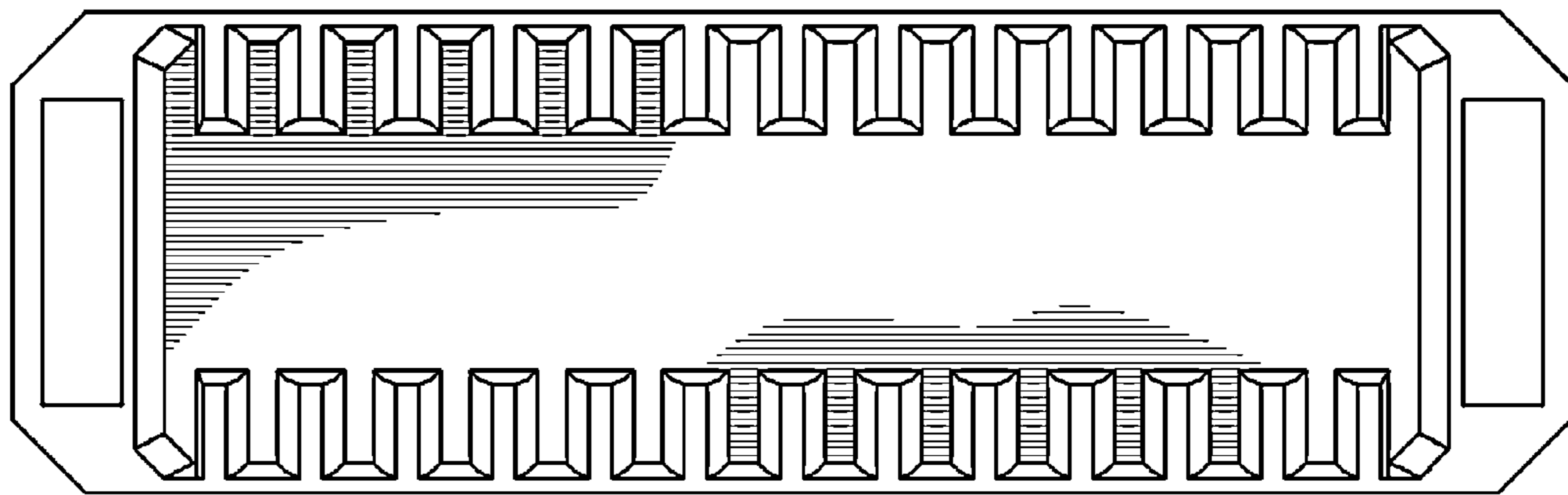


FIG. 5

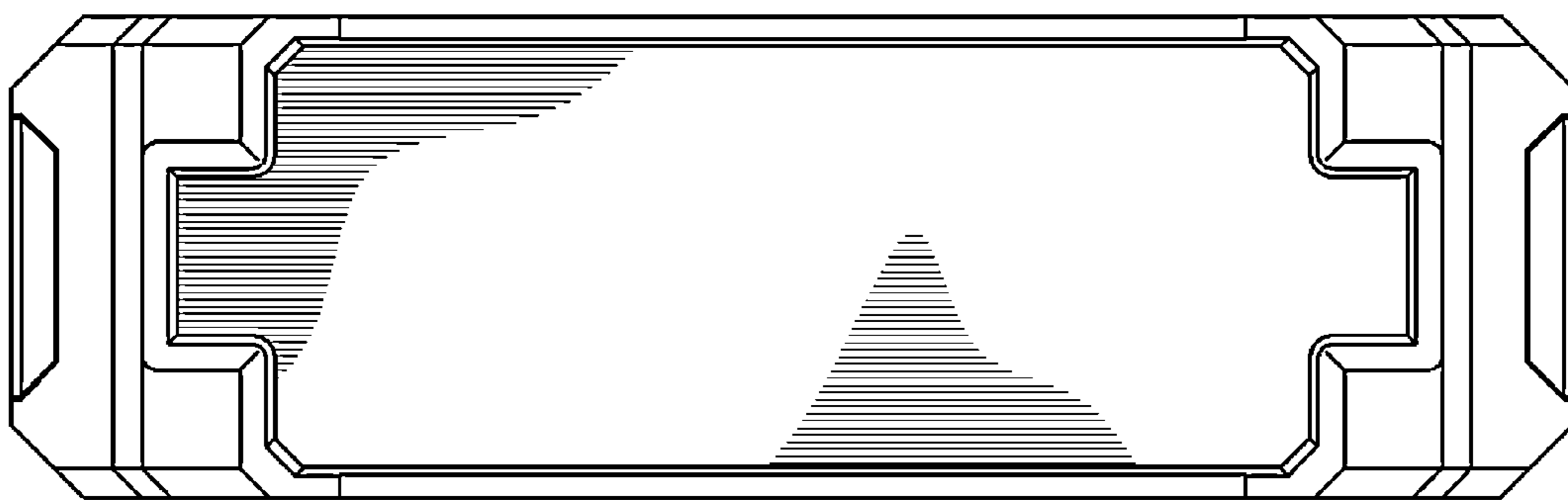


FIG. 6

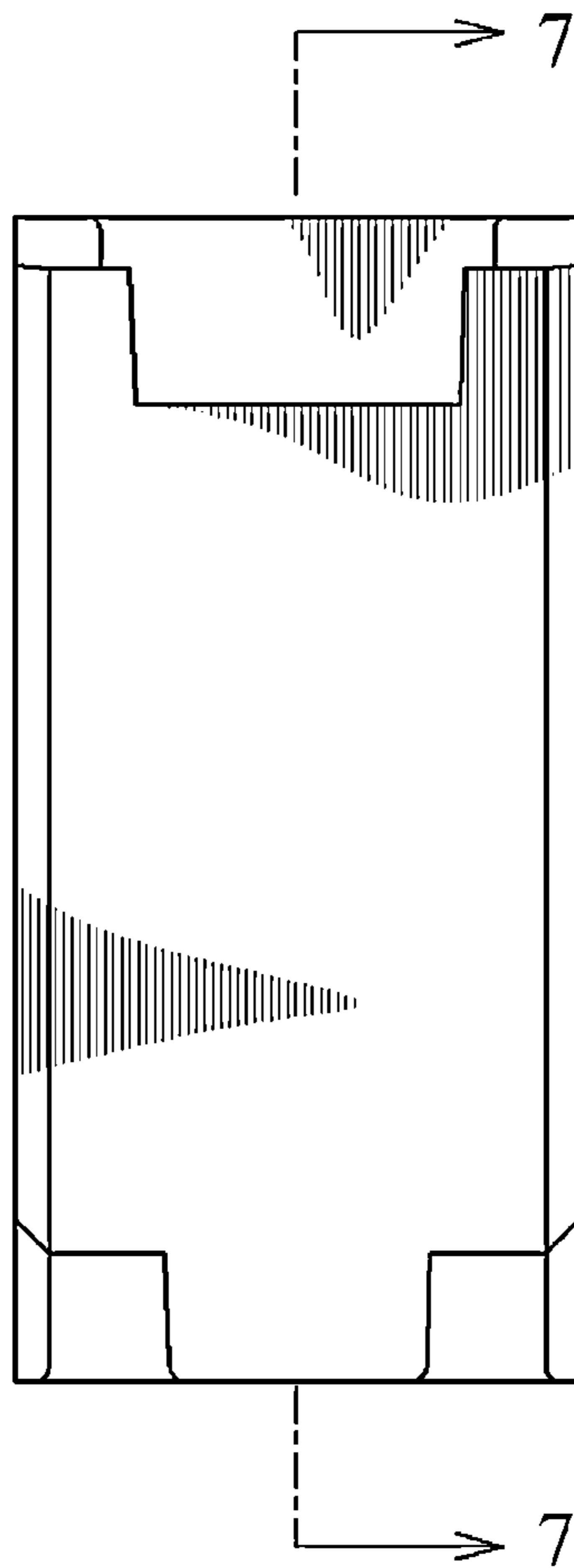


FIG. 7

