



US00D701971S

(12) **United States Design Patent**
Valen et al.

(10) **Patent No.:** **US D701,971 S**
(45) **Date of Patent:** **** Apr. 1, 2014**

(54) **DISPOSABLE LASER HANDPIECE**

(75) Inventors: **Marcia Van Valen**, Aliso Viejo, CA
(US); **William E. Brown, Jr.**, Roswell,
GA (US)

(73) Assignee: **Biolase, Inc.**, Irvine, CA (US)

(**) Term: **14 Years**

(21) Appl. No.: **29/418,426**

(22) Filed: **Apr. 16, 2012**

(51) **LOC (10) Cl.** **24-02**

(52) **U.S. Cl.**
USPC **D24/209**

(58) **Field of Classification Search**
USPC D24/210, 209, 200, 158, 176; 362/555,
362/545, 800, 294, 249, 267; D26/2, 29,
D26/37, 39, 41, 104; 606/2-4, 16, 131;
607/88-95; 433/29; 601/15
See application file for complete search history.

(56) **References Cited**

U.S. PATENT DOCUMENTS

D359,119 S * 6/1995 Dragan et al. D24/176
D378,699 S * 4/1997 Niedospial et al. D24/112

D422,707 S * 4/2000 Bock D24/176
D435,292 S * 12/2000 Dragan et al. D24/176
6,293,963 B1 * 9/2001 Wey D24/209
D460,822 S * 7/2002 Dragan et al. D24/152
D515,214 S * 2/2006 Jackson et al. D24/176
D515,215 S * 2/2006 Wang D24/176
D585,138 S * 1/2009 Boehm et al. D24/181
D602,591 S * 10/2009 Cheetham D24/176
D655,012 S * 2/2012 Nanda D24/176
D657,877 S * 4/2012 Pauser D24/176
D660,965 S * 5/2012 Waclawik et al. D24/152

* cited by examiner

Primary Examiner — David Muller

(74) *Attorney, Agent, or Firm* — Jones Day

(57) **CLAIM**

The ornamental design for a disposable laser handpiece, as shown and described.

DESCRIPTION

FIG. 1 is a side view of a design for a disposable laser handpiece.

FIG. 2 is a top plan view thereof;

FIG. 3 is a bottom plan view thereof;

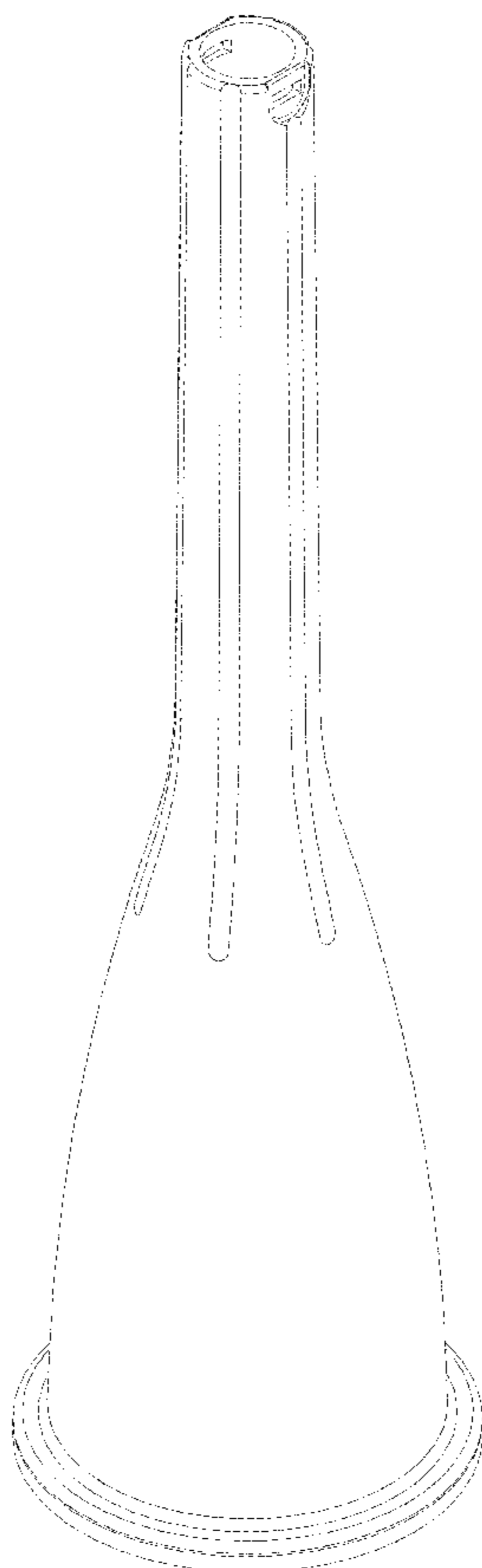
FIG. 4 is another side view thereof;

FIG. 5 is a cross-sectional view taken at line 5-5 of FIG. 2;

FIG. 6 is a lower perspective view thereof; and,

FIG. 7 is an upper perspective view thereof.

1 Claim, 4 Drawing Sheets



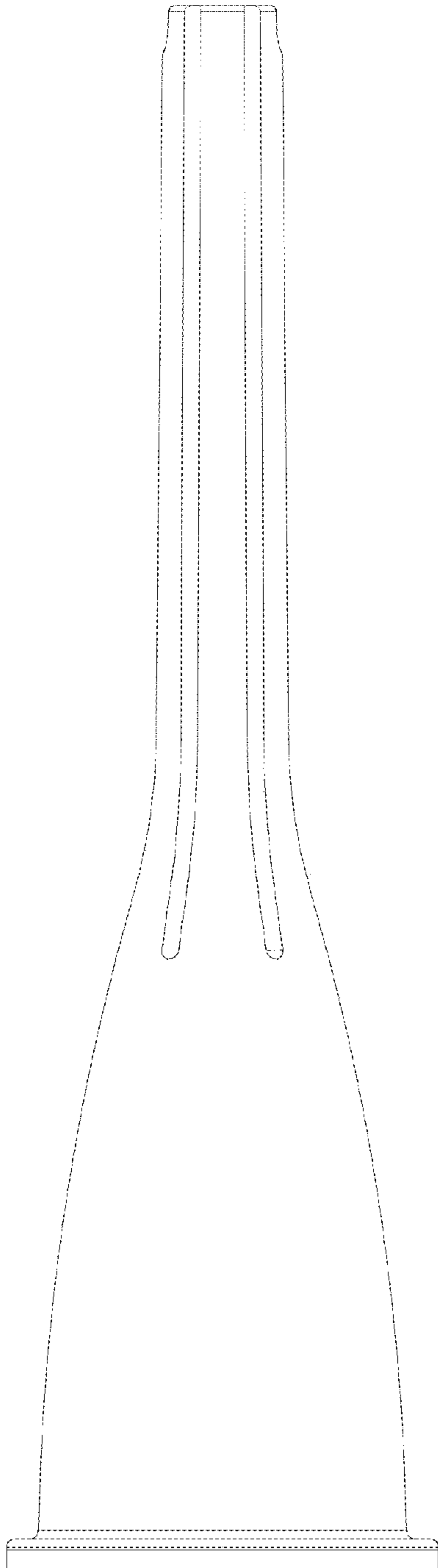


Fig.1

5
▲

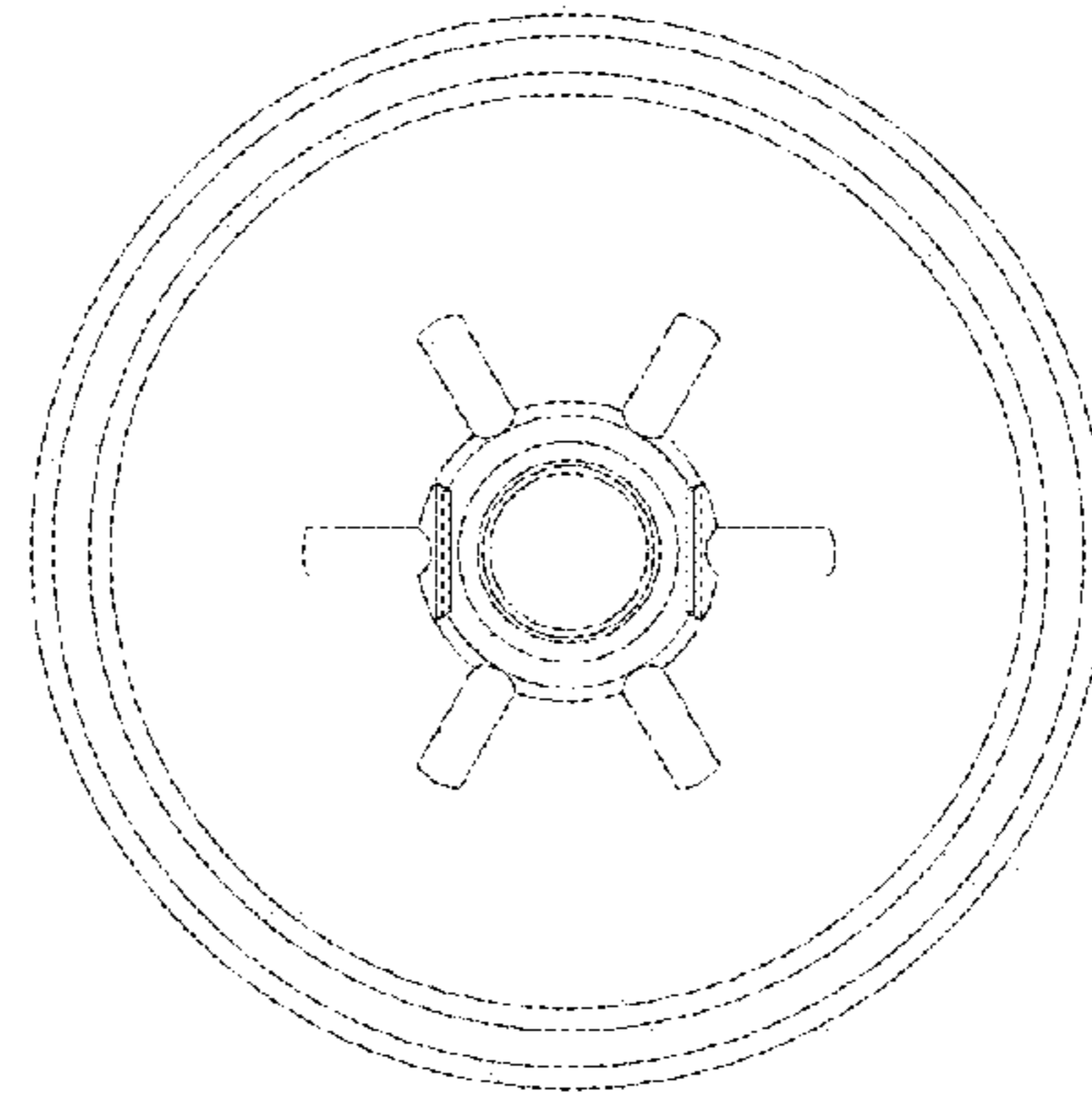


Fig.2

5
▲

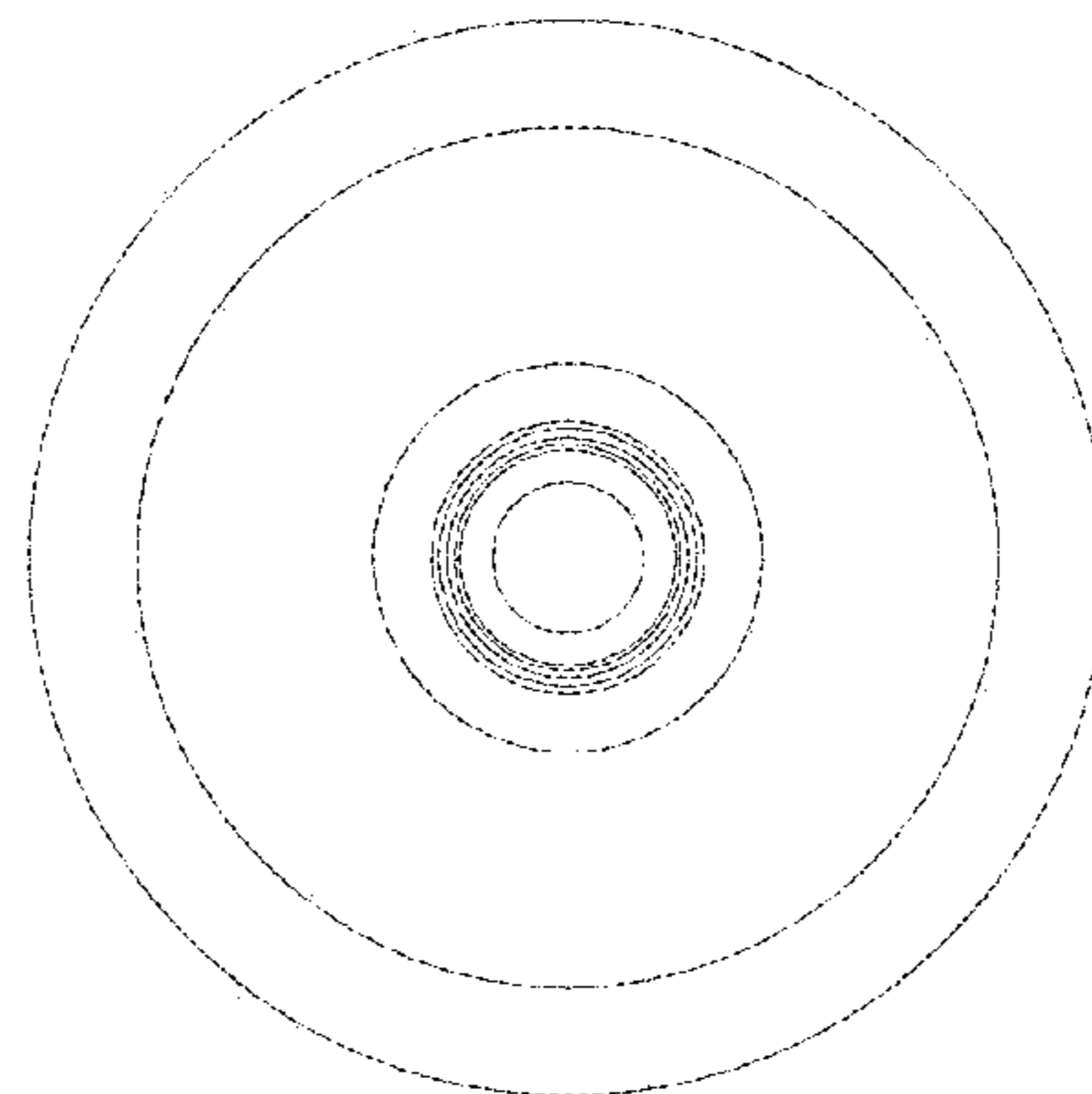


Fig.3

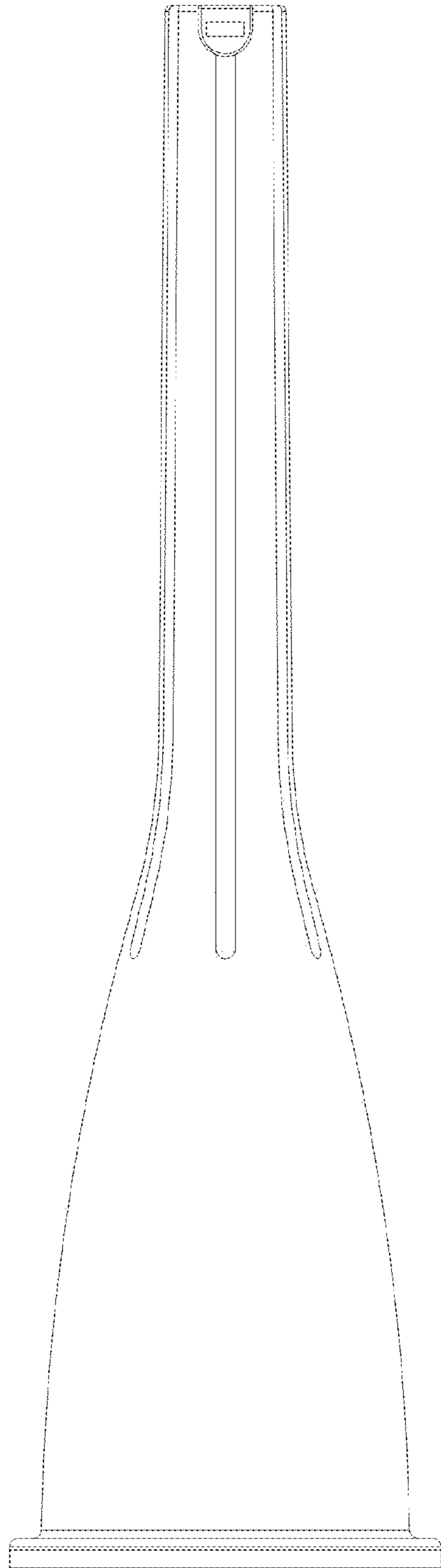


Fig.4

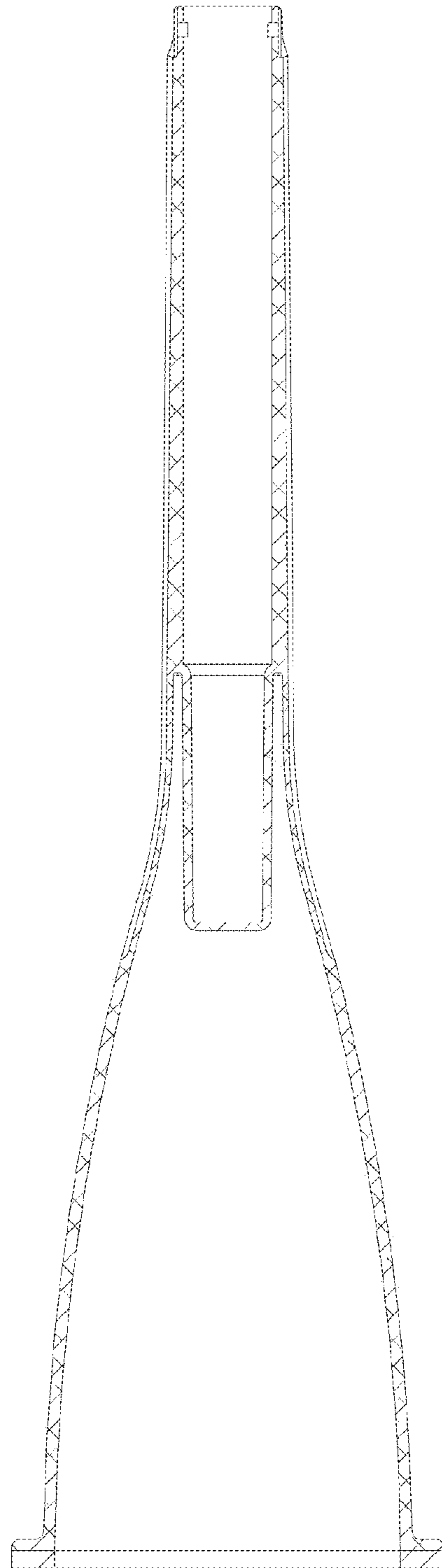


Fig.5

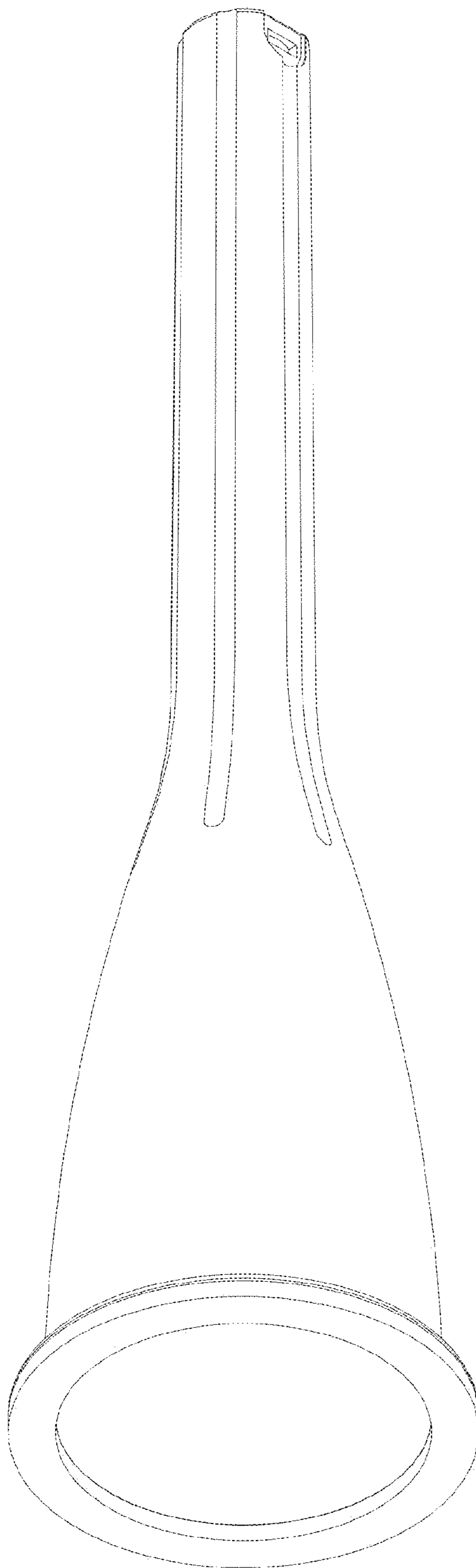


Fig.6

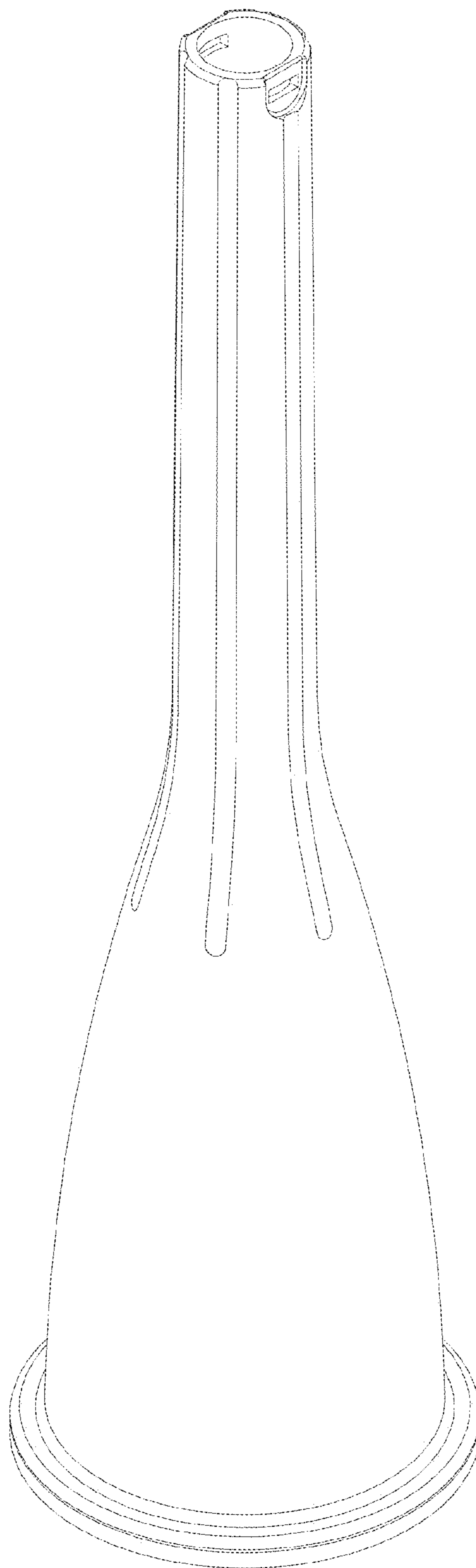


Fig.7