



US00D701966S

(12) **United States Design Patent**
Owada

(10) **Patent No.:** **US D701,966 S**
(45) **Date of Patent:** **** Apr. 1, 2014**

- (54) **BOTTLE TETHER**
- (71) Applicant: **Akiko Owada**, Honolulu, HI (US)
- (72) Inventor: **Akiko Owada**, Honolulu, HI (US)
- (73) Assignee: **Sweet Hale, Inc.**, Honolulu, HI (US)
- (**) Term: **14 Years**
- (21) Appl. No.: **29/435,109**
- (22) Filed: **Oct. 19, 2012**
- (51) **LOC (10) Cl.** **07-04**
- (52) **U.S. Cl.**
USPC **D24/199**
- (58) **Field of Classification Search**
USPC D24/199; 248/102-107, 548; 215/397,
215/11.6; D3/229, 215; 224/148
See application file for complete search history.

- D541,943 S * 5/2007 Stewart D24/199
- D559,989 S * 1/2008 Martinelli D24/199
- D607,115 S * 12/2009 Bellamy-Noseworthy
et al. D24/199
- D657,134 S * 4/2012 Tepper D3/215
- D666,730 S * 9/2012 Del Solar et al. D24/194
- D669,261 S * 10/2012 Tepper D3/229
- 2005/0269463 A1 * 12/2005 Hatfield 248/103
- 2007/0252048 A1 * 11/2007 Ivie et al. 248/104

* cited by examiner

Primary Examiner — Cathron Brooks
Assistant Examiner — Sydney R Buffalow
(74) *Attorney, Agent, or Firm* — Leighton K. Chong

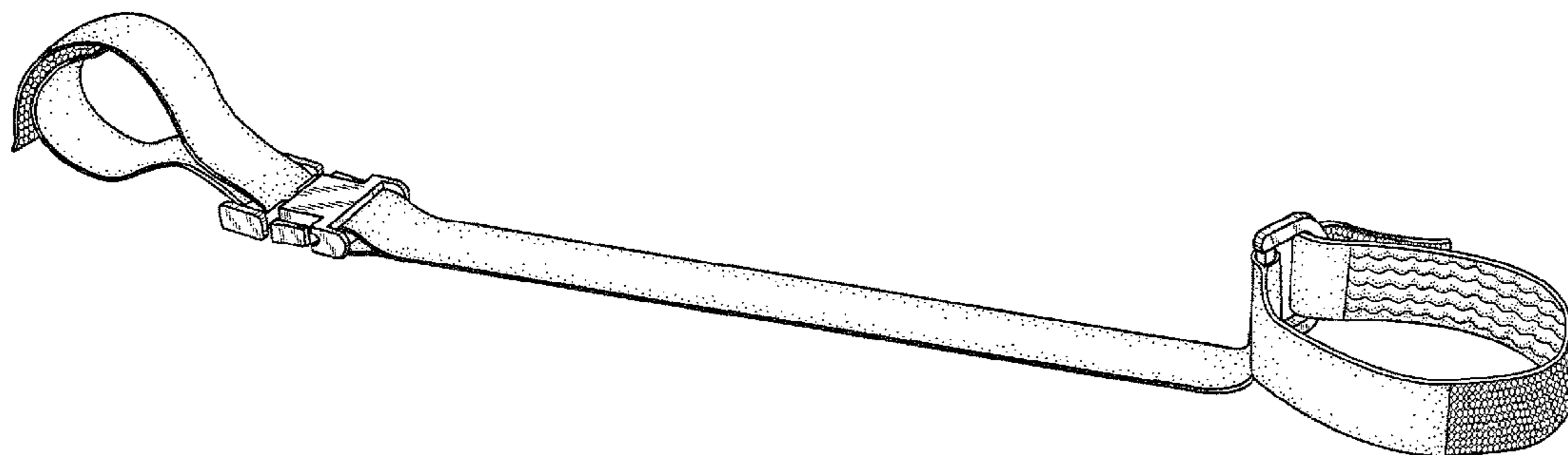
(57) **CLAIM**
The ornamental design for a bottle tether, as shown and described.

DESCRIPTION

FIG. 1 is a front perspective view of my new design for a bottle tether, showing an attachment loop coupled by a snap buckle to a tethered bottle retaining loop;
FIG. 2 is a right side view of the article shown in FIG. 1;
FIG. 3 is a left side view of the article shown in FIG. 1;
FIG. 4 is a top view of the article shown in FIG. 1;
FIG. 5 is a bottom view of the article shown in FIG. 1;
FIG. 6 is a perspective view showing the article in FIG. 1 in an intended environment of use (attached to the handlebar depicted in phantom line); and,
FIG. 7 shows the bottle tether in FIG. 6 detached from its attachment loop by its detachable snap buckle to be separately carried by a user (depicted in phantom line).

1 Claim, 5 Drawing Sheets

- (56) **References Cited**
U.S. PATENT DOCUMENTS
- 2,457,972 A * 1/1949 Bailey 248/103
- 2,539,698 A * 1/1951 Pearson 248/104
- 2,711,872 A * 6/1955 Lampke 248/103
- 2,772,801 A * 12/1956 Schwartz 215/11.6
- 4,735,388 A * 4/1988 Marks 248/103
- 5,016,845 A * 5/1991 Pellegrino 248/104
- D337,162 S * 7/1993 Rollins D24/199
- D356,379 S * 3/1995 Ibinger D24/199
- 5,613,657 A * 3/1997 Olaiz 248/102
- 5,704,505 A * 1/1998 Singh 215/397
- D413,984 S * 9/1999 Lindsey D24/199
- D438,626 S * 3/2001 Broussard et al. D24/199
- 6,250,592 B1 * 6/2001 Davis 248/104
- 6,978,918 B2 * 12/2005 Scanlan et al. 224/148.6



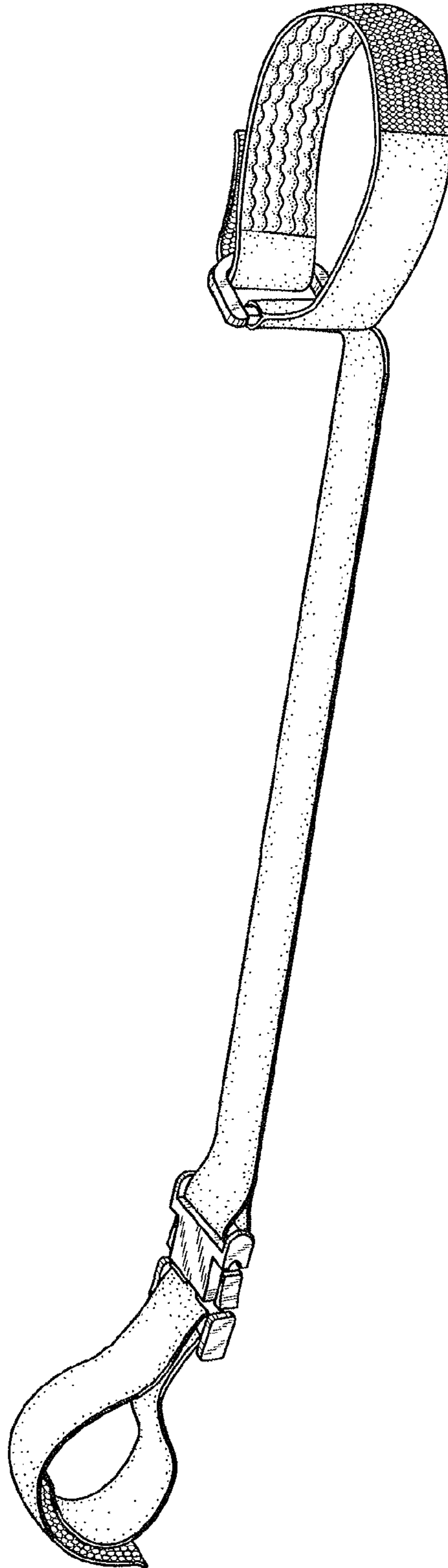


FIG. 1

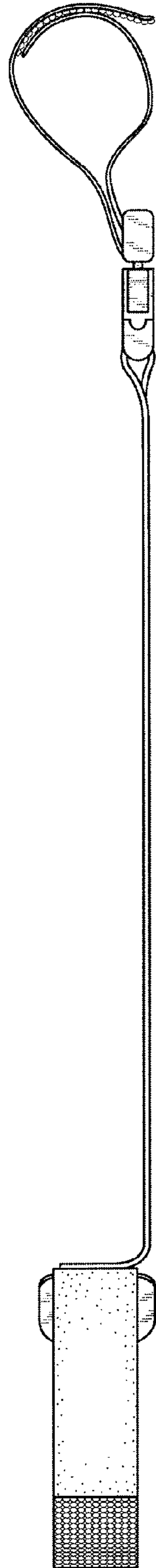


FIG. 2

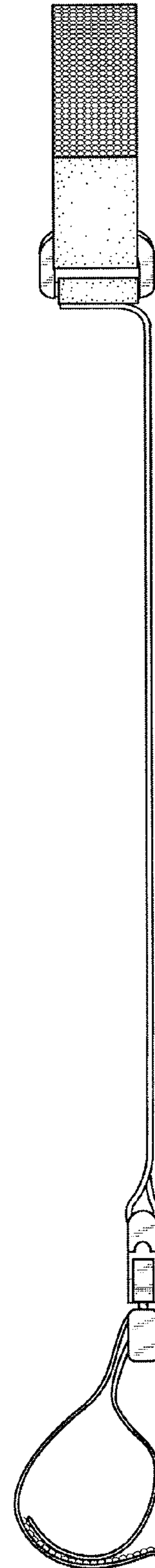


FIG. 3

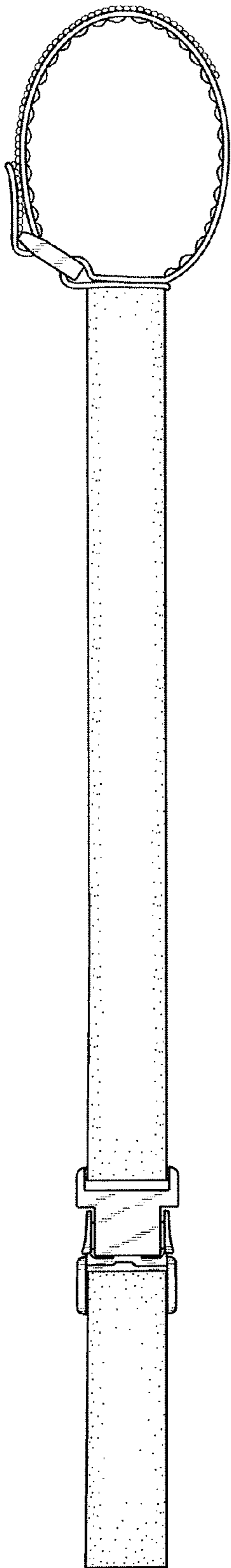


FIG. 4

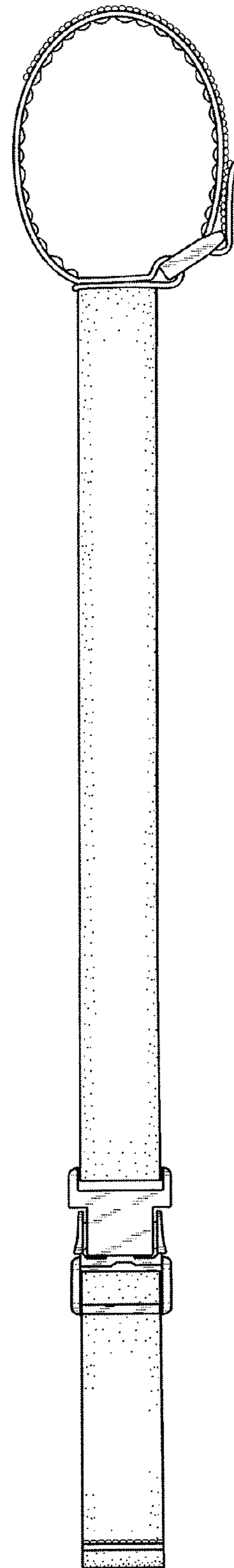


FIG. 5

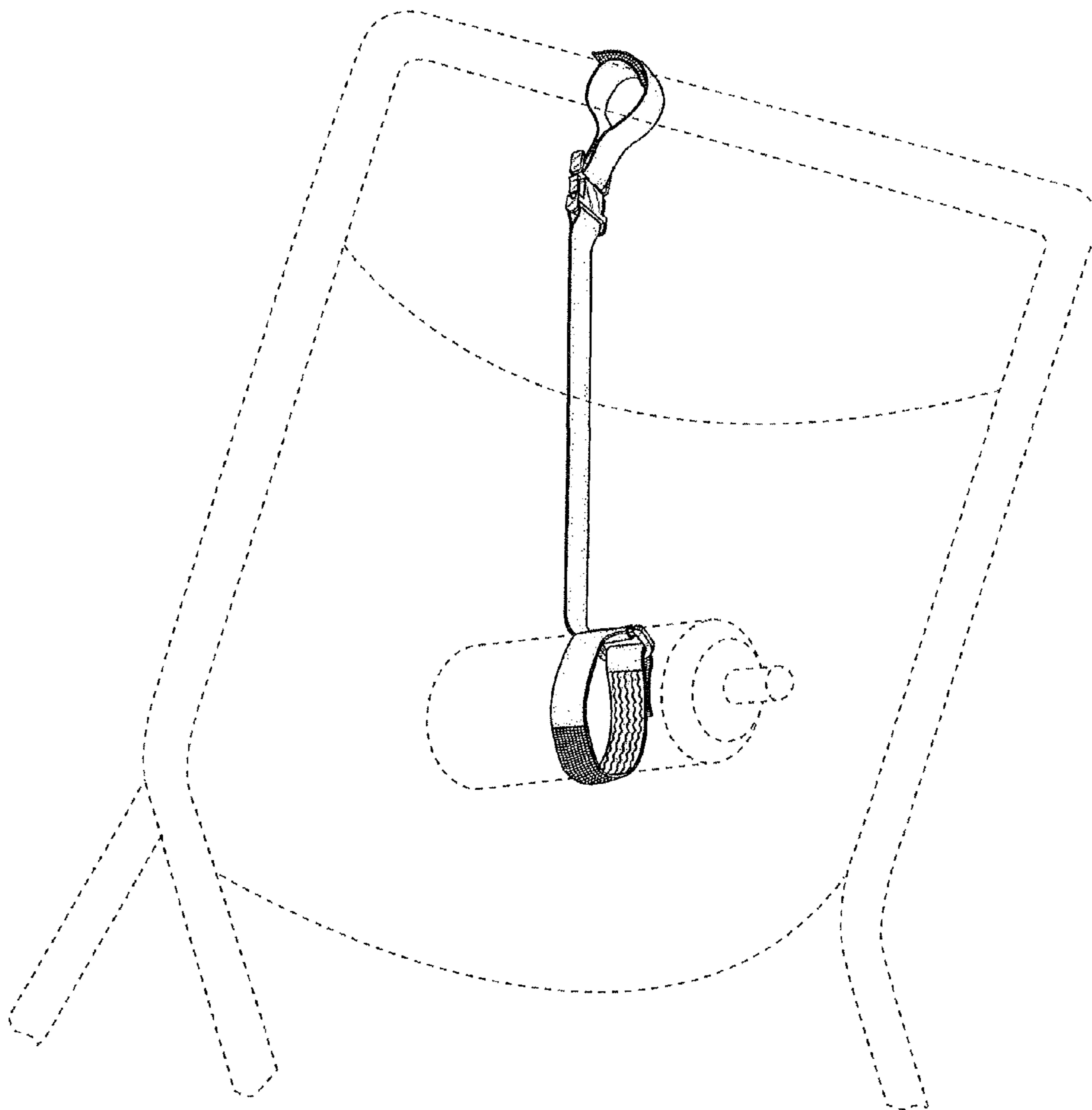


FIG. 6

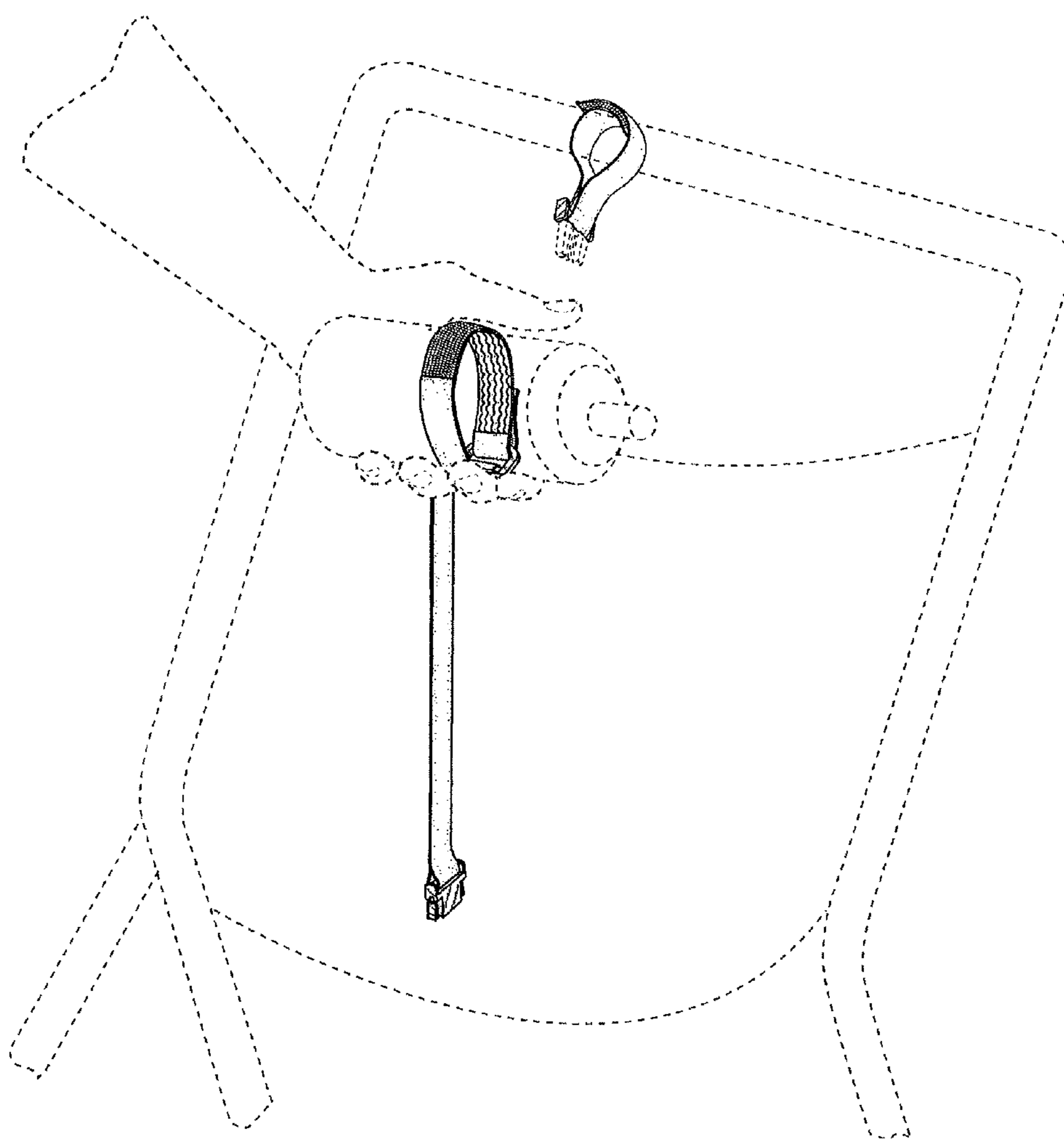


FIG. 7