



US00D701965S

(12) **United States Design Patent**  
**Matsumura et al.**

(10) **Patent No.:** **US D701,965 S**  
(45) **Date of Patent:** **\*\* Apr. 1, 2014**

(54) **ULTRASOUND PROBE**

(71) Applicant: **GE Medical Systems Global Technology Company, LLC**, Waukesha, WI (US)

(72) Inventors: **Kiyoshi Matsumura**, Tokyo (JP); **Koji Yanagihara**, Tokyo (JP)

(73) Assignee: **GE Medical Systems Global Technology Company, LLC**, Waukesha, WI (US)

(\*\*) Term: **14 Years**

(21) Appl. No.: **29/459,728**

(22) Filed: **Jul. 2, 2013**

(30) **Foreign Application Priority Data**

Jan. 4, 2013 (JP) ..... 2013-000007

(51) **LOC (10) Cl.** ..... **24-01**

(52) **U.S. Cl.**  
USPC ..... **D24/187**

(58) **Field of Classification Search**  
USPC ..... D24/107, 141, 158, 164, 165, 167, 170,  
D24/186-187, 231; D10/57, 60, 78, 80;  
600/407, 461, 459; 378/98.7, 98.8, 189  
See application file for complete search history.

(56) **References Cited**

U.S. PATENT DOCUMENTS

D316,376 S \* 4/1991 Dubut ..... D10/60  
D387,867 S \* 12/1997 Henderson et al. .... D24/187  
D389,918 S \* 1/1998 Ninomiya et al. .... D24/186  
D389,919 S \* 1/1998 Ninomiya et al. .... D24/186  
D390,959 S \* 2/1998 Mesaros et al. .... D24/186  
D392,044 S \* 3/1998 Mesaros et al. .... D24/186  
D545,433 S 6/2007 Messerly et al.  
D547,871 S 7/2007 Watson et al.  
D554,264 S 10/2007 Watson et al.  
D555,252 S \* 11/2007 Kitayama et al. .... D24/186

D609,352 S \* 2/2010 Kitayama ..... D24/186  
D619,266 S \* 7/2010 Sakai ..... D24/186  
D622,401 S \* 8/2010 Suzuki ..... D24/187  
D634,849 S 3/2011 Kanokogi et al.  
D667,557 S \* 9/2012 Boudier ..... D24/186

(Continued)

*Primary Examiner* — T. Chase Nelson

*Assistant Examiner* — Mark Cavanna

(74) *Attorney, Agent, or Firm* — Armstrong Teasdale LLP

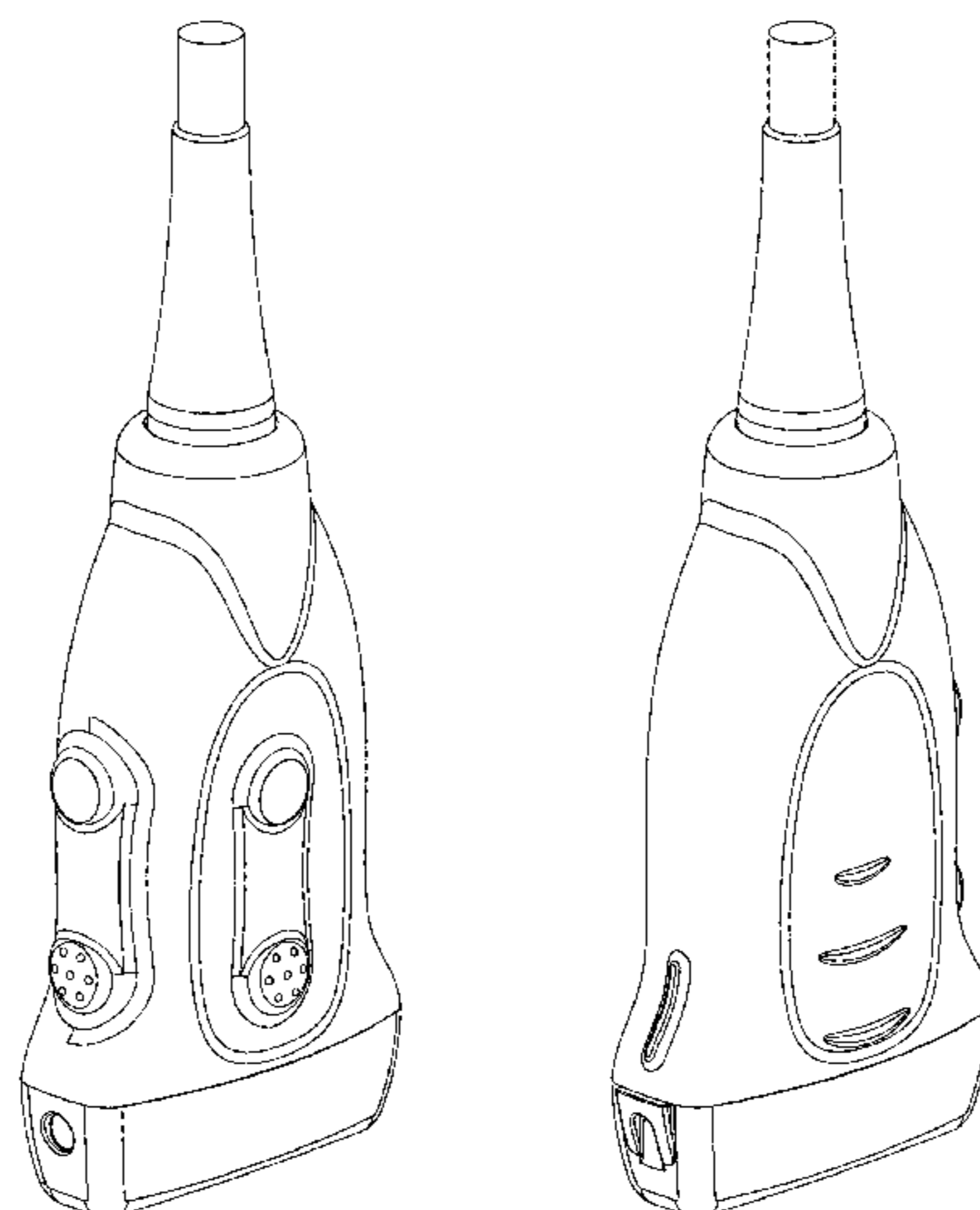
(57) **CLAIM**

We claim the ornamental design for an ultrasound probe, as shown and described.

**DESCRIPTION**

FIG. 1 is a front view of an ultrasound probe showing our new design;  
FIG. 2 is a back view of the ultrasound probe design shown in FIG. 1;  
FIG. 3 is a left view of the ultrasound probe design shown in FIG. 1;  
FIG. 4 is a right view of the ultrasound probe design shown in FIG. 1;  
FIG. 5 is a top view of the ultrasound probe design shown in FIG. 1;  
FIG. 6 is a bottom view of the ultrasound probe design shown in FIG. 1;  
FIG. 7 is a front perspective view of the ultrasound probe design shown in FIG. 1;  
FIG. 8 is a back perspective view of the ultrasound probe design shown in FIG. 1;  
FIG. 9 is a front perspective view of the ultrasound probe design shown in FIG. 1; and,  
FIG. 10 is a front perspective view of the ultrasound probe design shown in FIG. 1.  
In these drawings, the solid lines illustrate the claimed ornamental design, whereas the broken lines illustrate unclaimed environmental features and form no part of the claimed design.

**1 Claim, 10 Drawing Sheets**



(56)

**References Cited**

U.S. PATENT DOCUMENTS

D671,644 S 11/2012 Dodd et al.  
D678,500 S 3/2013 Osepaishvili  
D679,021 S \* 3/2013 Tani et al. .... D24/187  
D681,820 S \* 5/2013 Shinohara et al. .... D24/186  
D681,823 S \* 5/2013 Shinohara et al. .... D24/186

D681,824 S \* 5/2013 Shinohara et al. .... D24/186  
D681,825 S \* 5/2013 Shinohara et al. .... D24/186  
D681,827 S \* 5/2013 Shinohara et al. .... D24/186  
D681,828 S \* 5/2013 Shinohara et al. .... D24/186  
D682,433 S \* 5/2013 Shinohara et al. .... D24/186  
D685,100 S \* 6/2013 Shinohara et al. .... D24/186  
D688,376 S \* 8/2013 Bartlett ..... D24/187  
2013/0085391 A1 4/2013 Matsumura et al.

\* cited by examiner

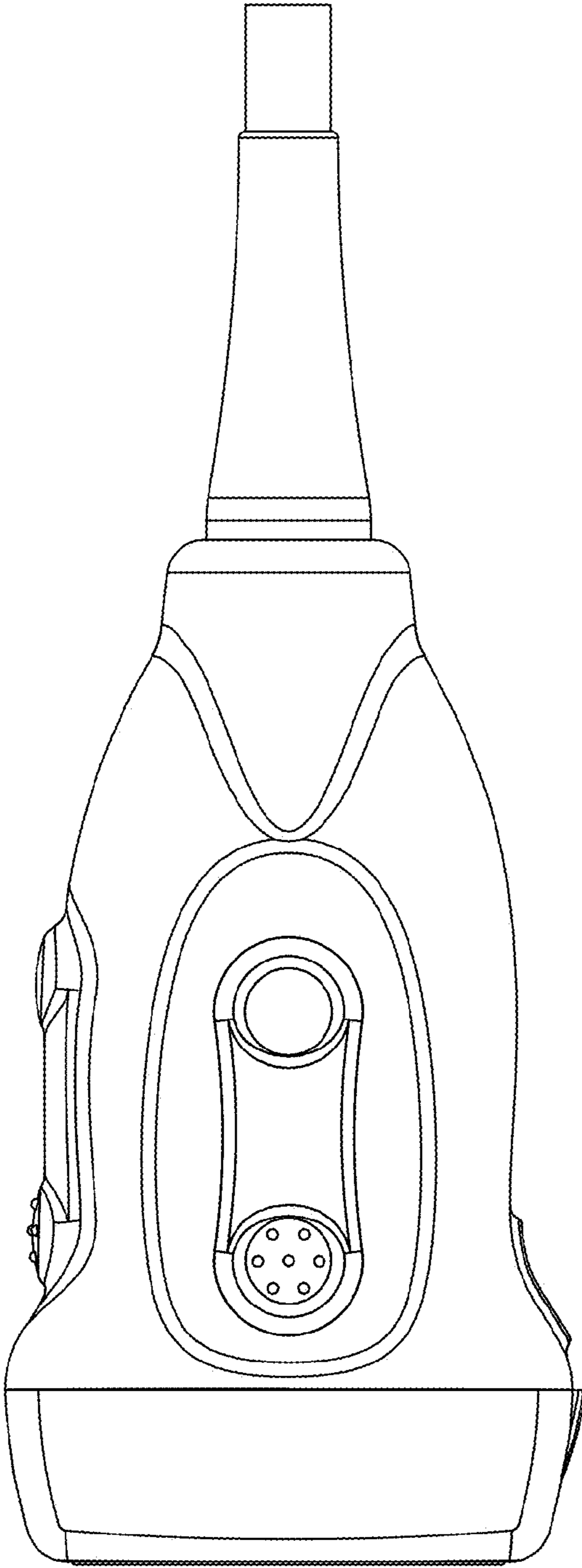


FIG. 1

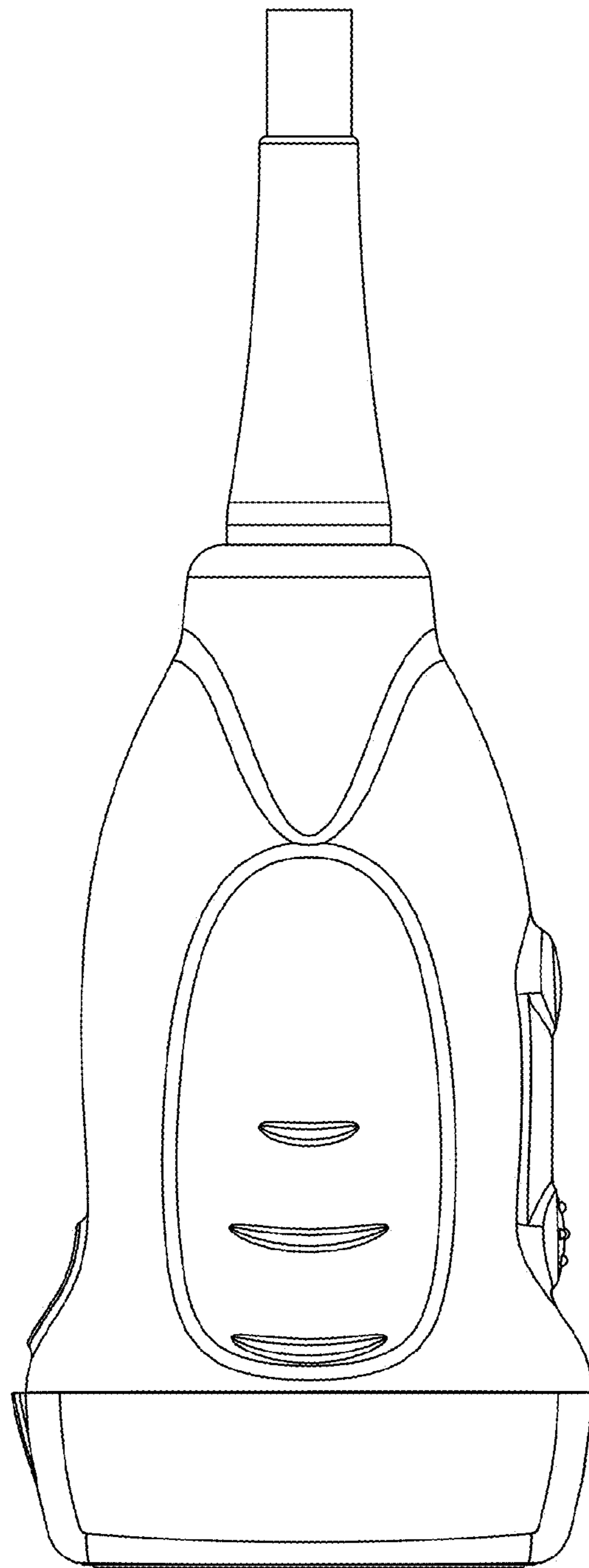


FIG. 2

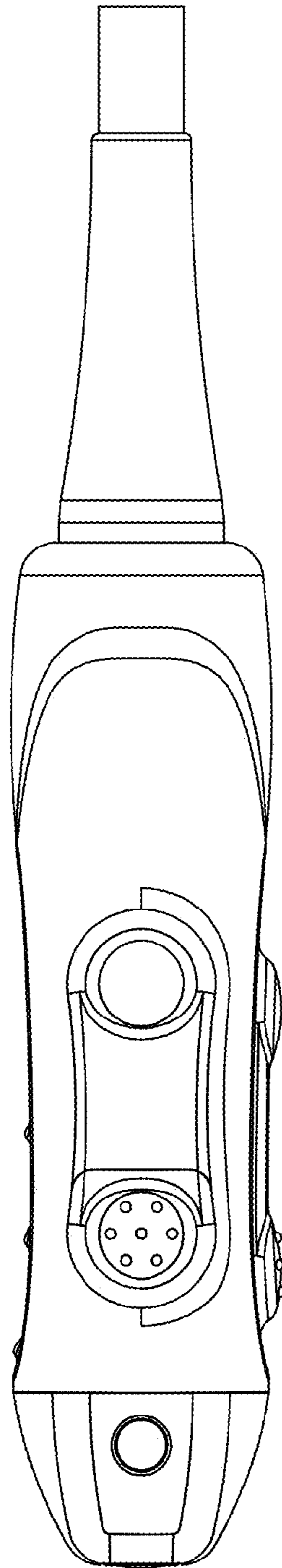


FIG. 3

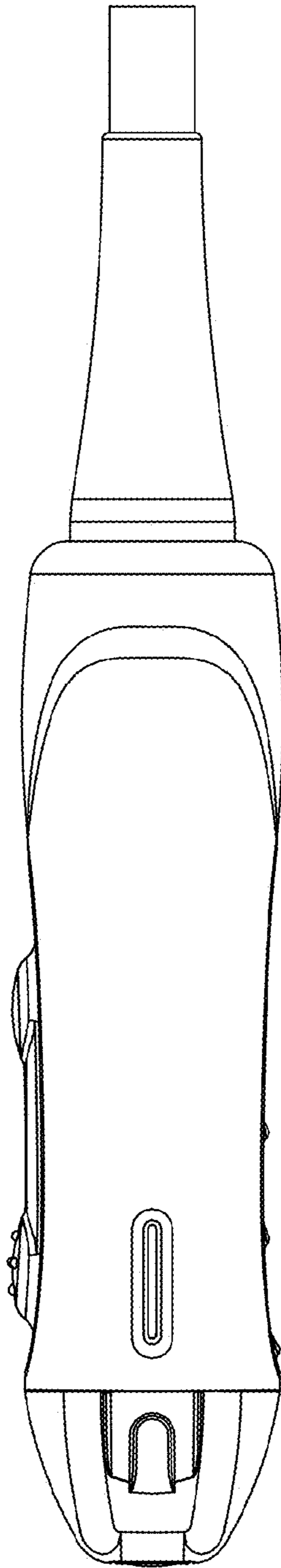


FIG. 4

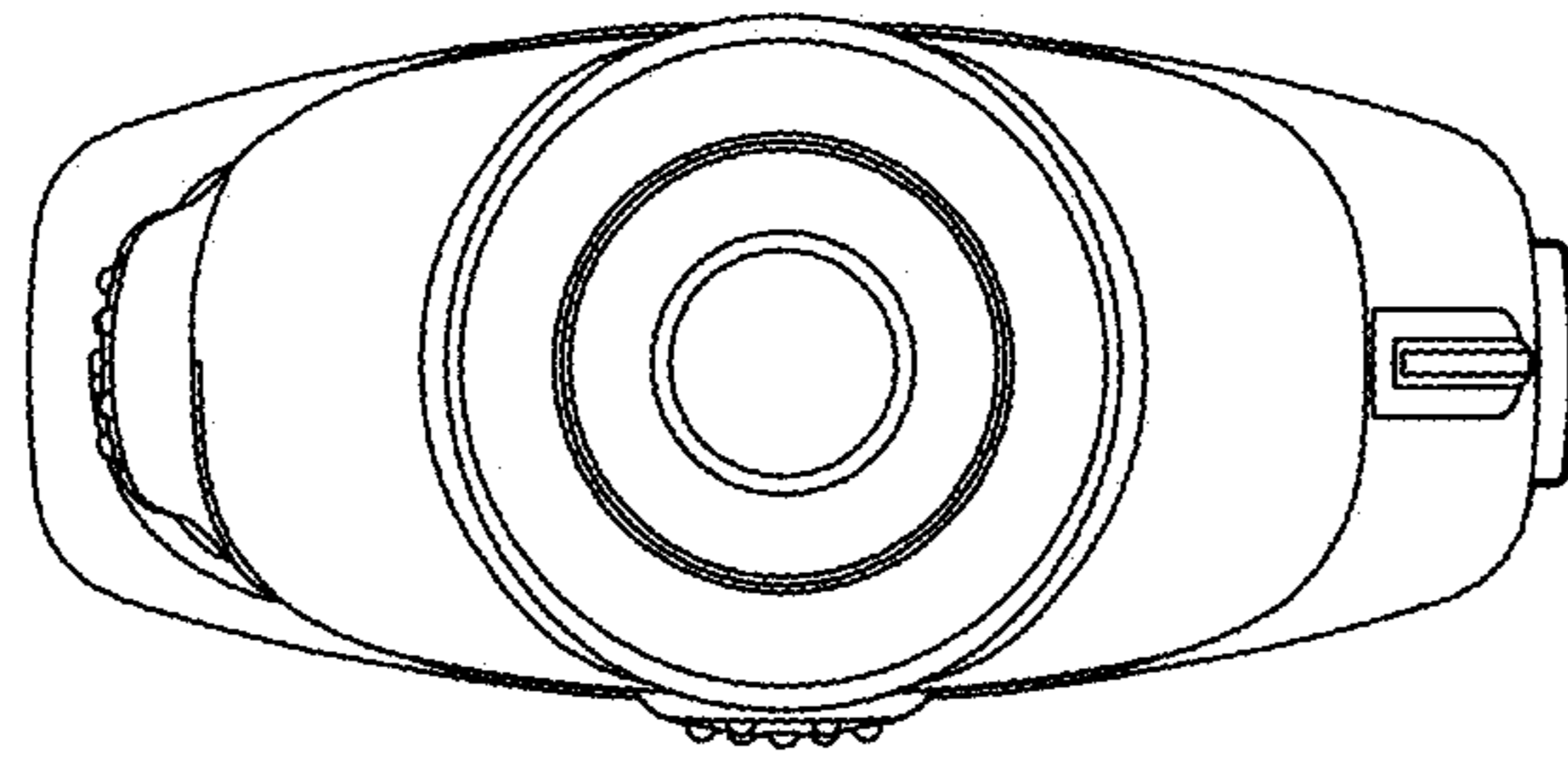


FIG. 5

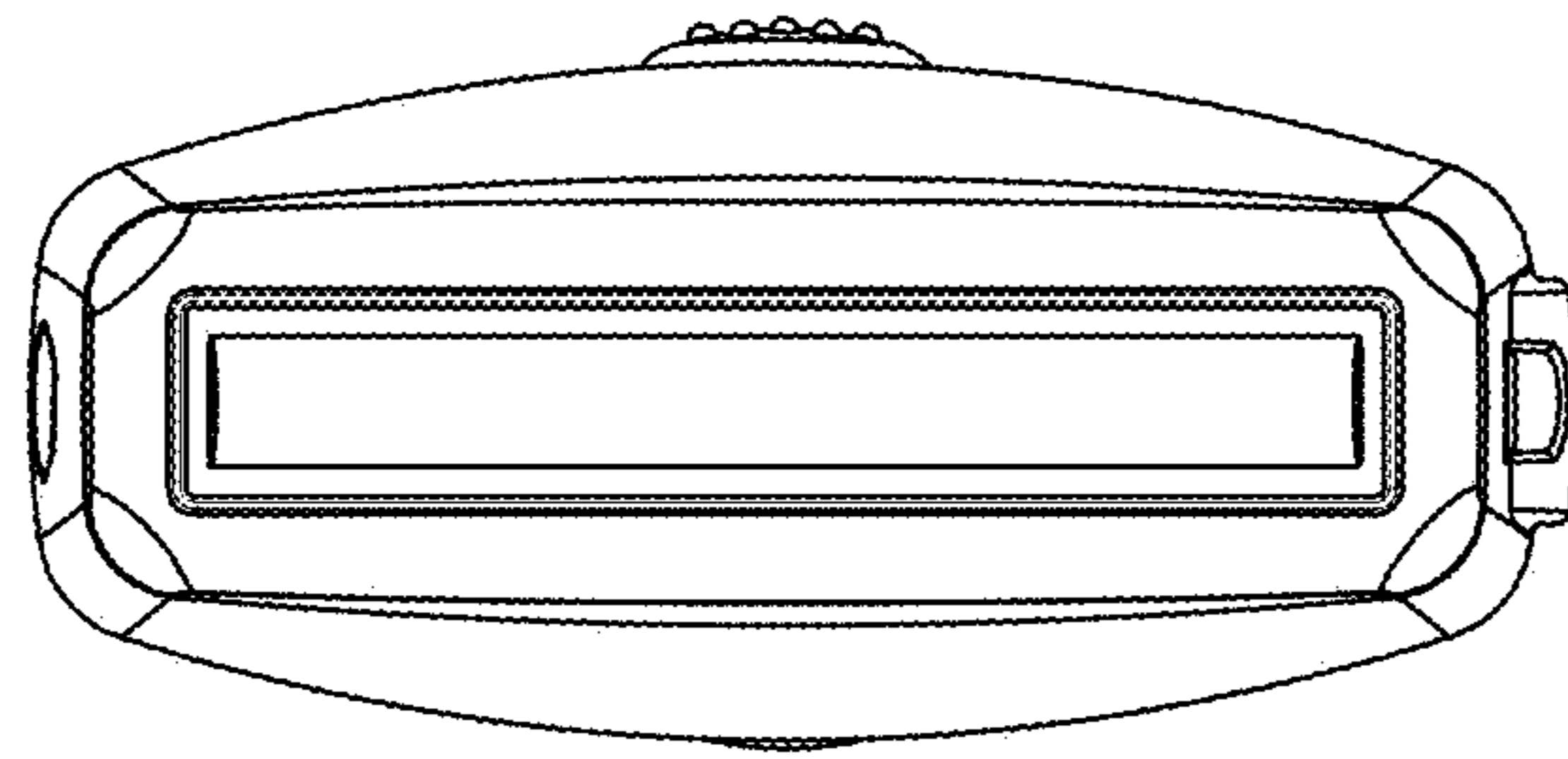


FIG. 6



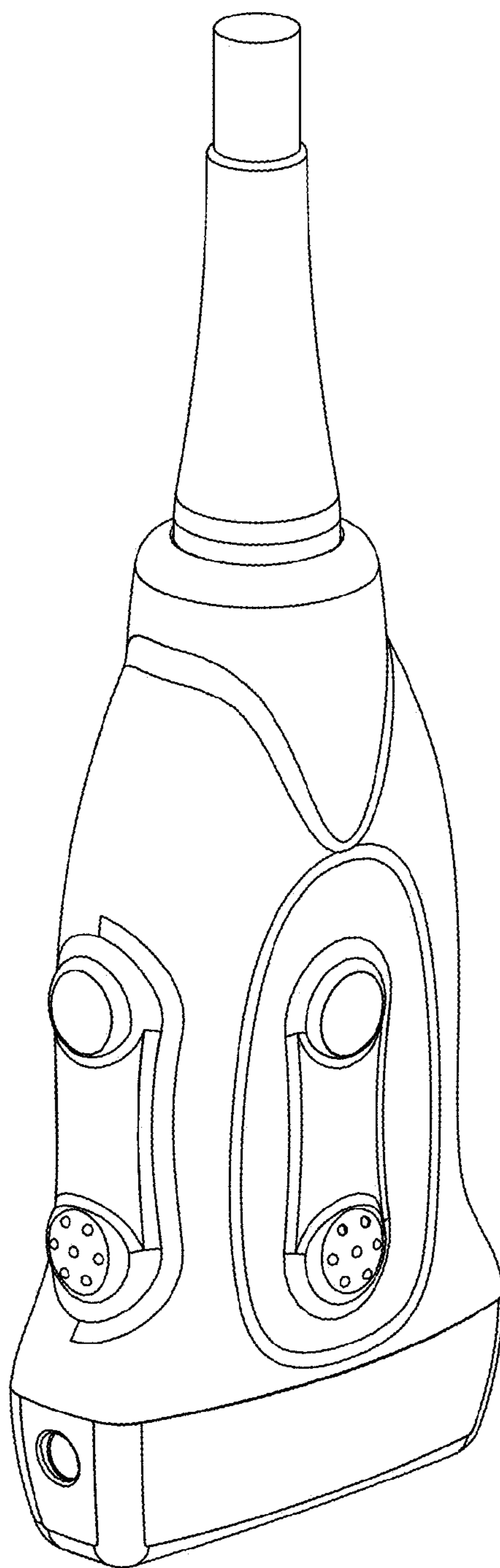


FIG. 7

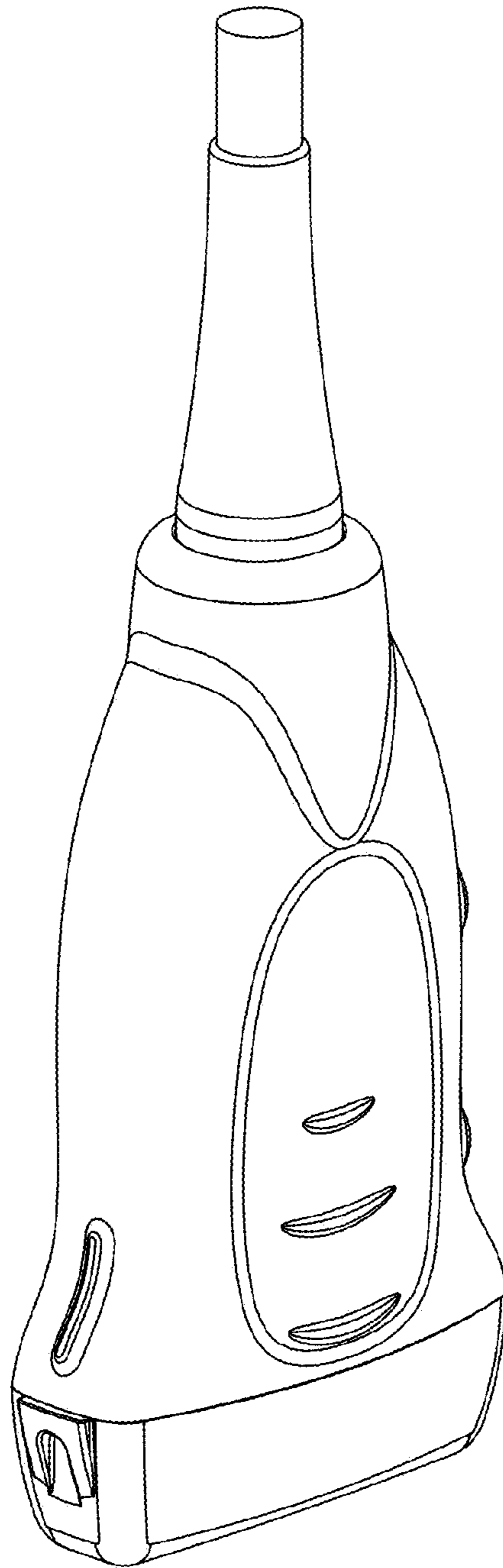


FIG. 8

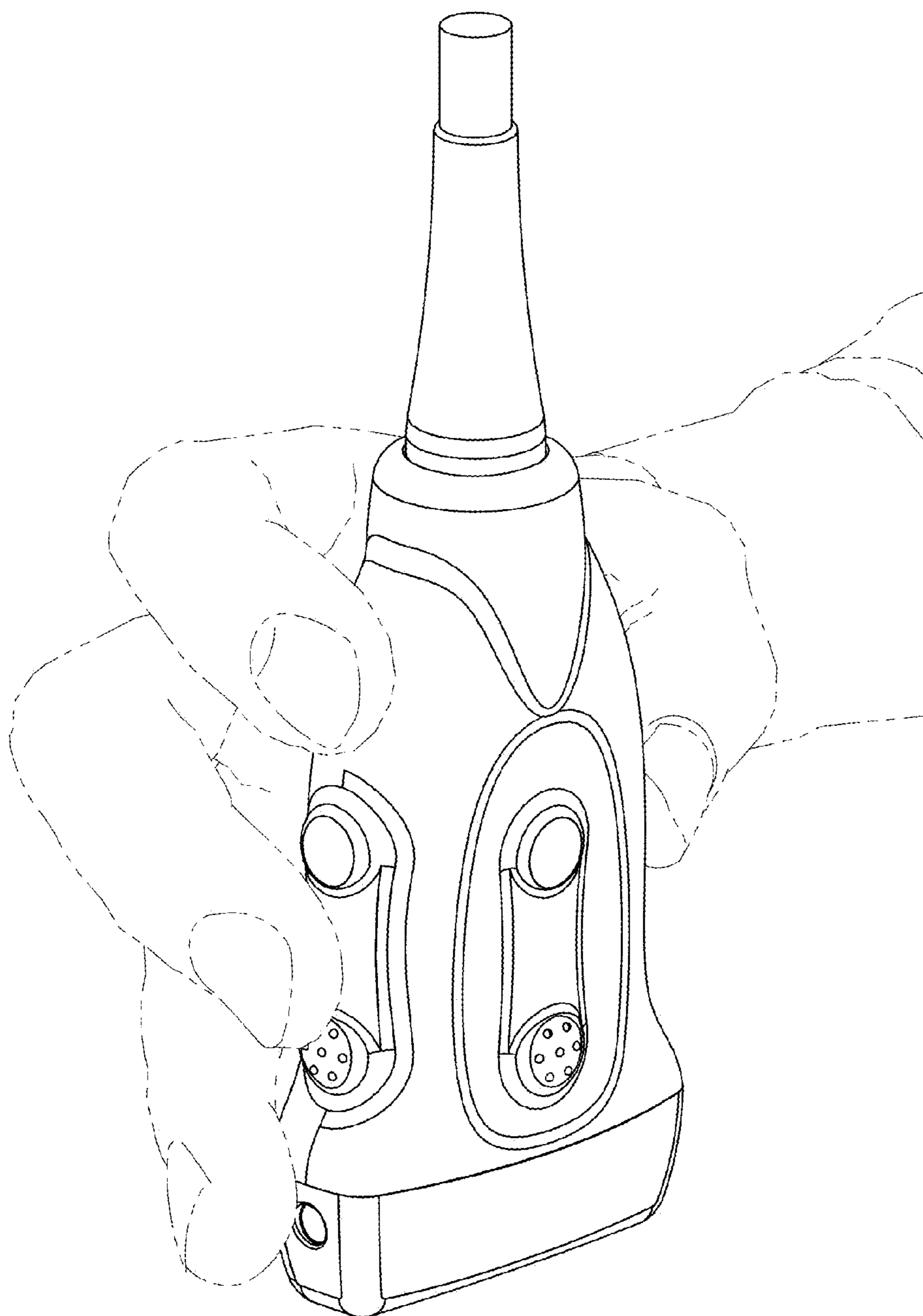


FIG. 9

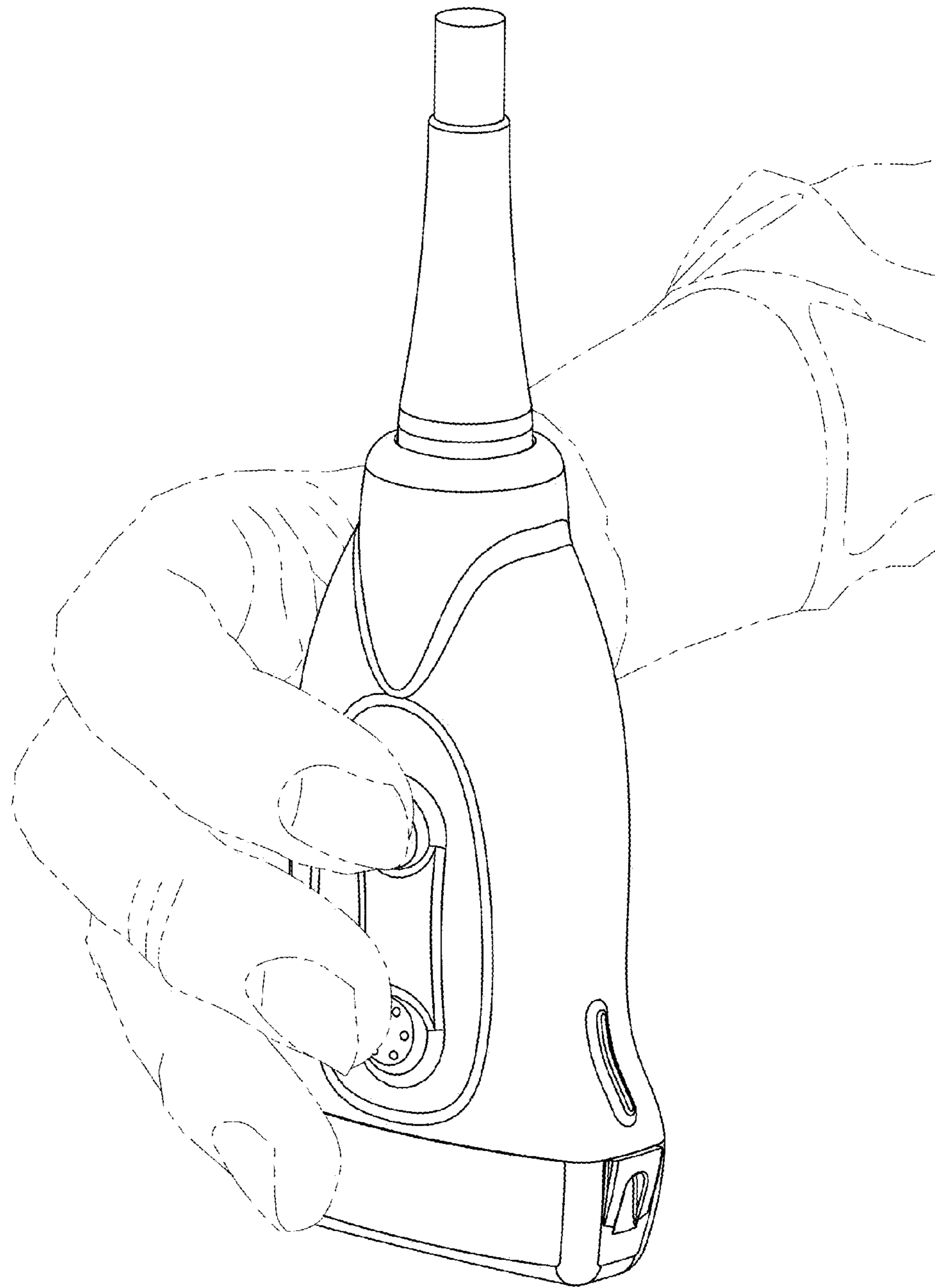


FIG. 10