



US00D701963S

(12) **United States Design Patent**
Abarbanel et al.

(10) **Patent No.:** **US D701,963 S**
(45) **Date of Patent:** **** Apr. 1, 2014**

(54) **THERAPEUTIC GAS DELIVERY DEVICE**

(74) *Attorney, Agent, or Firm* — Servilla Whitney LLC

(71) Applicant: **INO Therapeutics LLC**, Hampton, NJ (US)

(57) **CLAIM**
The ornamental designs for a therapy gas delivery device, substantially as shown and described.

(72) Inventors: **Jonathan Palmer Abarbanel**, Los Angeles, CA (US); **Stuart Allan Karten**, Venice, CA (US); **Eric Gregory Schmid**, Culver City, CA (US); **Dennis Lynn Schroeder**, Culver City, CA (US)

DESCRIPTION

(73) Assignee: **INO Therapeutics LLC**, Hampton, NJ (US)

FIG. 1 is a top left back perspective view of a therapy gas delivery device;
FIG. 2 is a front top right perspective view of a therapy gas delivery device;
FIG. 3 is a front view of a therapy gas delivery device;
FIG. 4 is a top view of a therapy gas delivery device;
FIG. 5 is a back view of a therapy gas delivery device;
FIG. 6 is a bottom view of a therapy gas delivery device;
FIG. 7 is a right view of a therapy gas delivery device;
FIG. 8 is a left view of a therapy gas delivery device;
FIG. 9 is a top left back perspective view of a second embodiment of a therapy gas delivery device;
FIG. 10 is a front top right perspective view of a therapy gas delivery device;
FIG. 11 is a front view of a therapy gas delivery device;
FIG. 12 is a top view of a therapy gas delivery device;
FIG. 13 is a back view of a therapy gas delivery device;
FIG. 14 is a bottom view of a therapy gas delivery device;
FIG. 15 is a right view of a therapy gas delivery device;
FIG. 16 is a left view of a therapy gas delivery device;
FIG. 17 is a top left back perspective view of a third embodiment of a therapy gas delivery device;
FIG. 18 is a front top right perspective view of a therapy gas delivery device;
FIG. 19 is a front view of a therapy gas delivery device;
FIG. 20 is a top view of a therapy gas delivery device;
FIG. 21 is a back view of a therapy gas delivery device;
FIG. 22 is a bottom view of a therapy gas delivery device;
FIG. 23 is a right view of a therapy gas delivery device; and,
FIG. 24 is a left view of a therapy gas delivery device.
The broken lines in the drawings depict unclaimed environment and form no part of the claimed design.

(**) Term: **14 Years**

(21) Appl. No.: **29/455,842**

(22) Filed: **May 24, 2013**

(51) **LOC (10) Cl.** **24-00**

(52) **U.S. Cl.**
USPC **D24/164**

(58) **Field of Classification Search**
USPC D24/163, 164, 110, 110.5, 110.6, 167, D24/186, 185, 231, 234, 129, 118; 600/424, 600/426, 407, 484, 534, 390, 533; 606/96, 606/97, 98; 95/96, 121
See application file for complete search history.

(56) **References Cited**

U.S. PATENT DOCUMENTS

7,681,572 B2 * 3/2010 Fishman 128/203.12
D619,700 S * 7/2010 Kenyon et al. D24/110

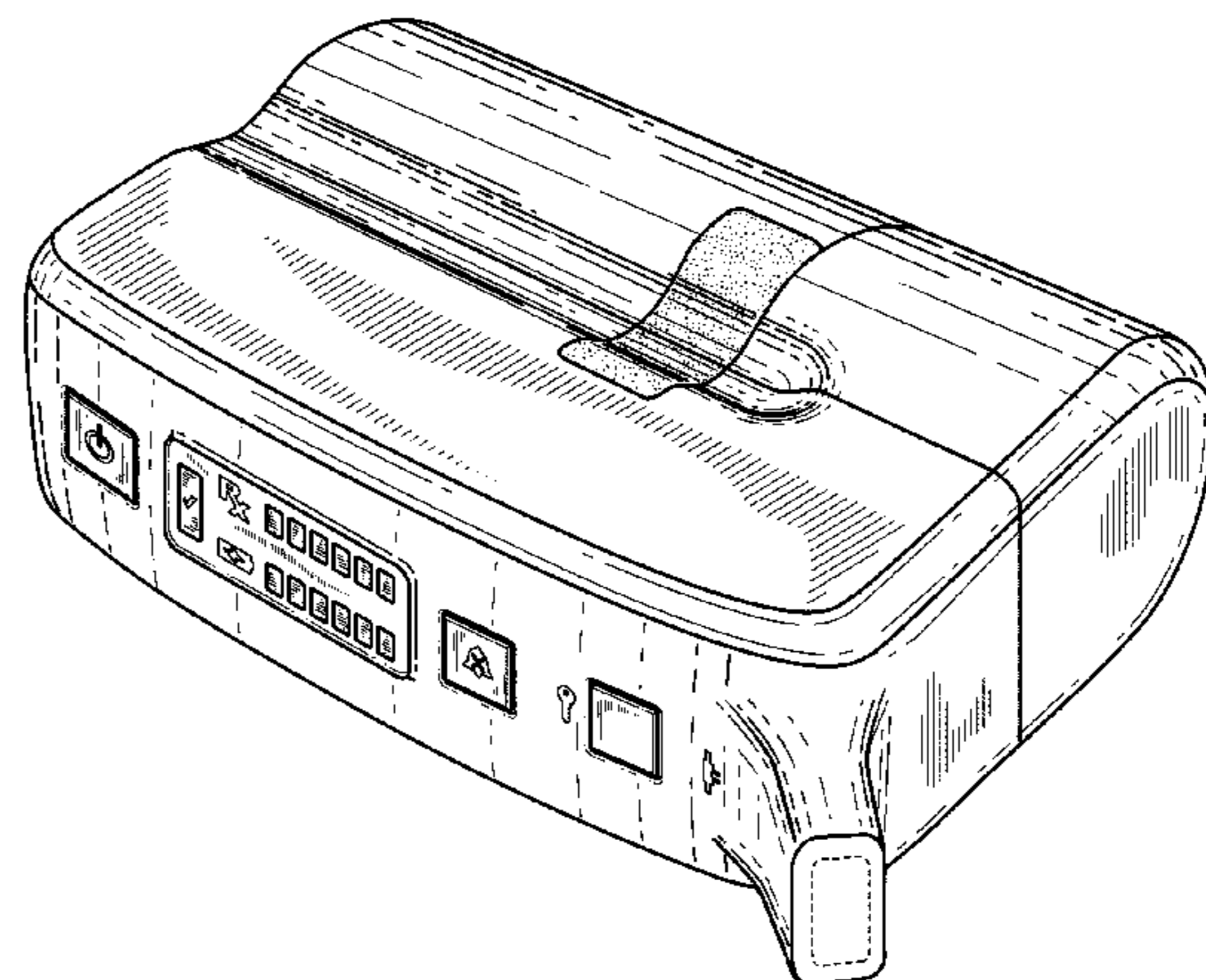
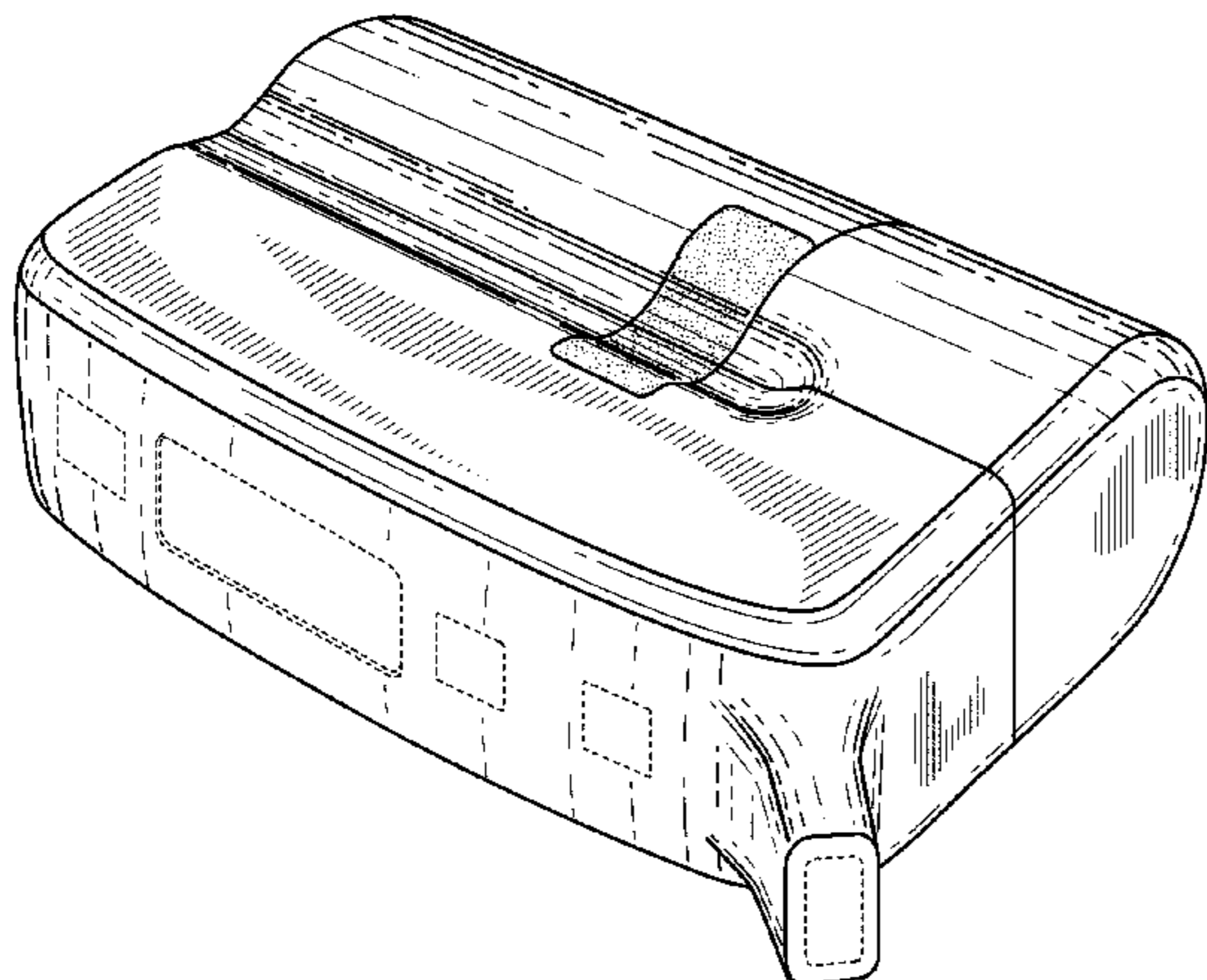
(Continued)

OTHER PUBLICATIONS

“Using the INOpulse® DS Subject Guide”, Part No. 20221 Rev-03, Jun. 2012, 50 pages.

Primary Examiner — Robert M Spear
Assistant Examiner — Rhea Shields

1 Claim, 12 Drawing Sheets



US D701,963 S

Page 2

(56)

References Cited

U.S. PATENT DOCUMENTS

D666,724 S *	9/2012	Wilhelm	D24/164
D679,800 S *	4/2013	Gusky et al.	D24/110
2009/0044804 A1 *	2/2009	Fishman	128/203.14
D666,299 S *	8/2012	Bergman et al.	D24/164

* cited by examiner

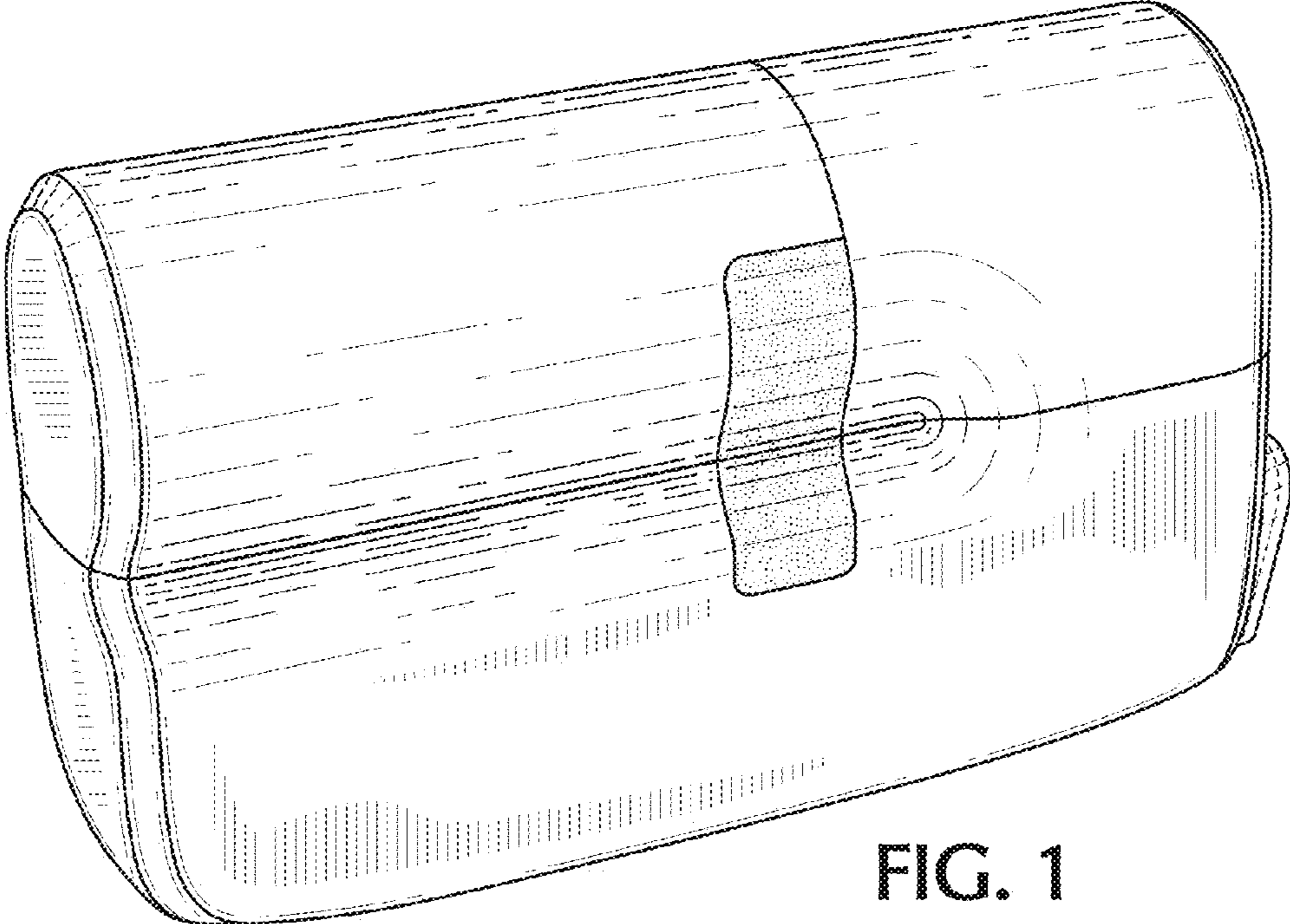


FIG. 1

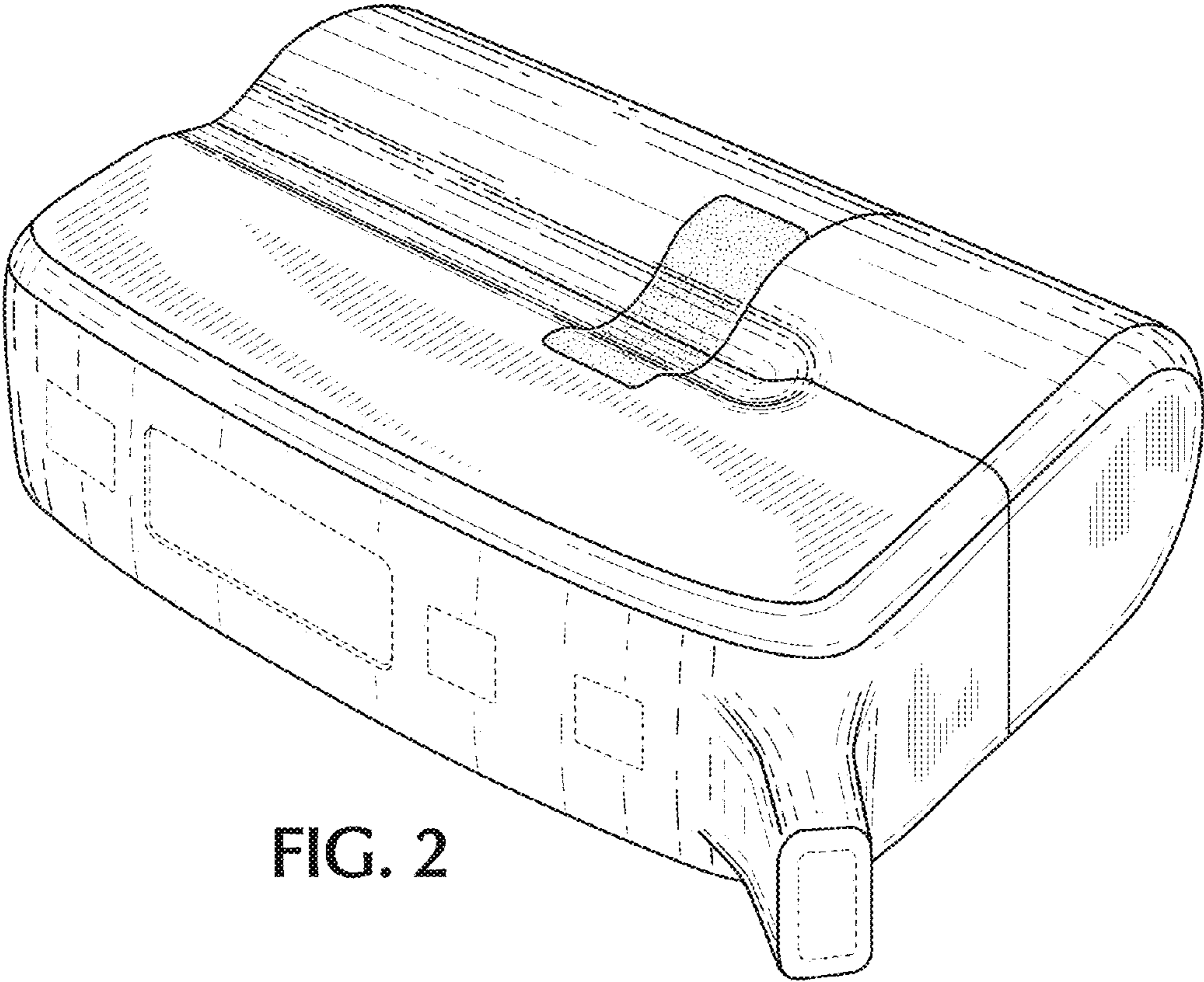


FIG. 2

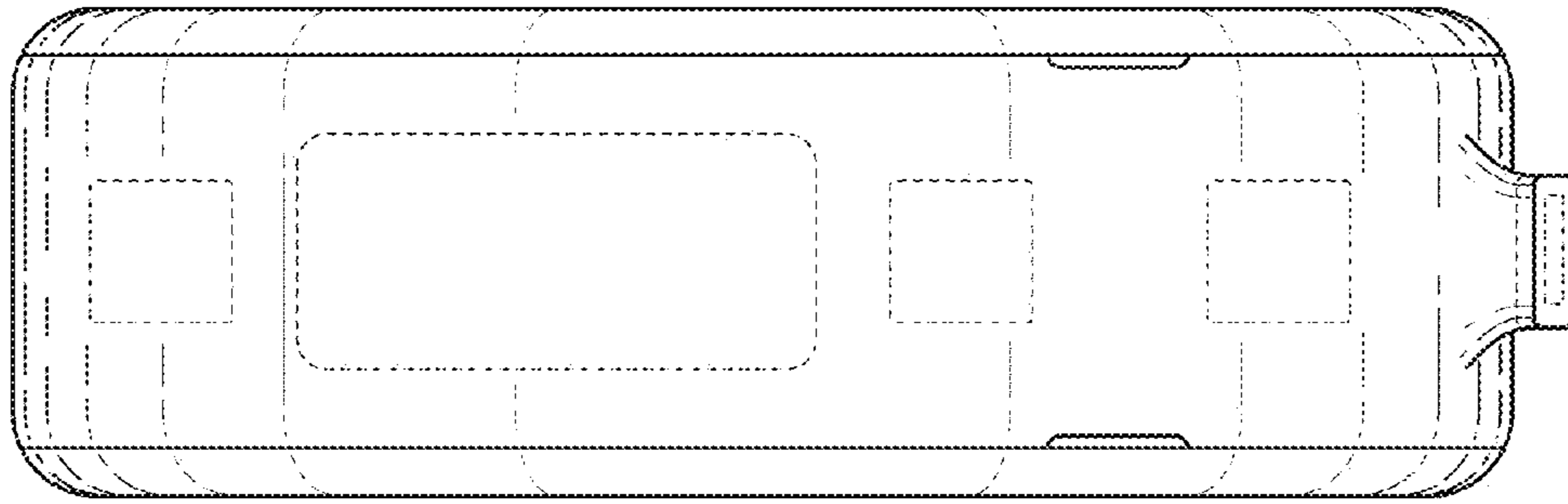


FIG. 3

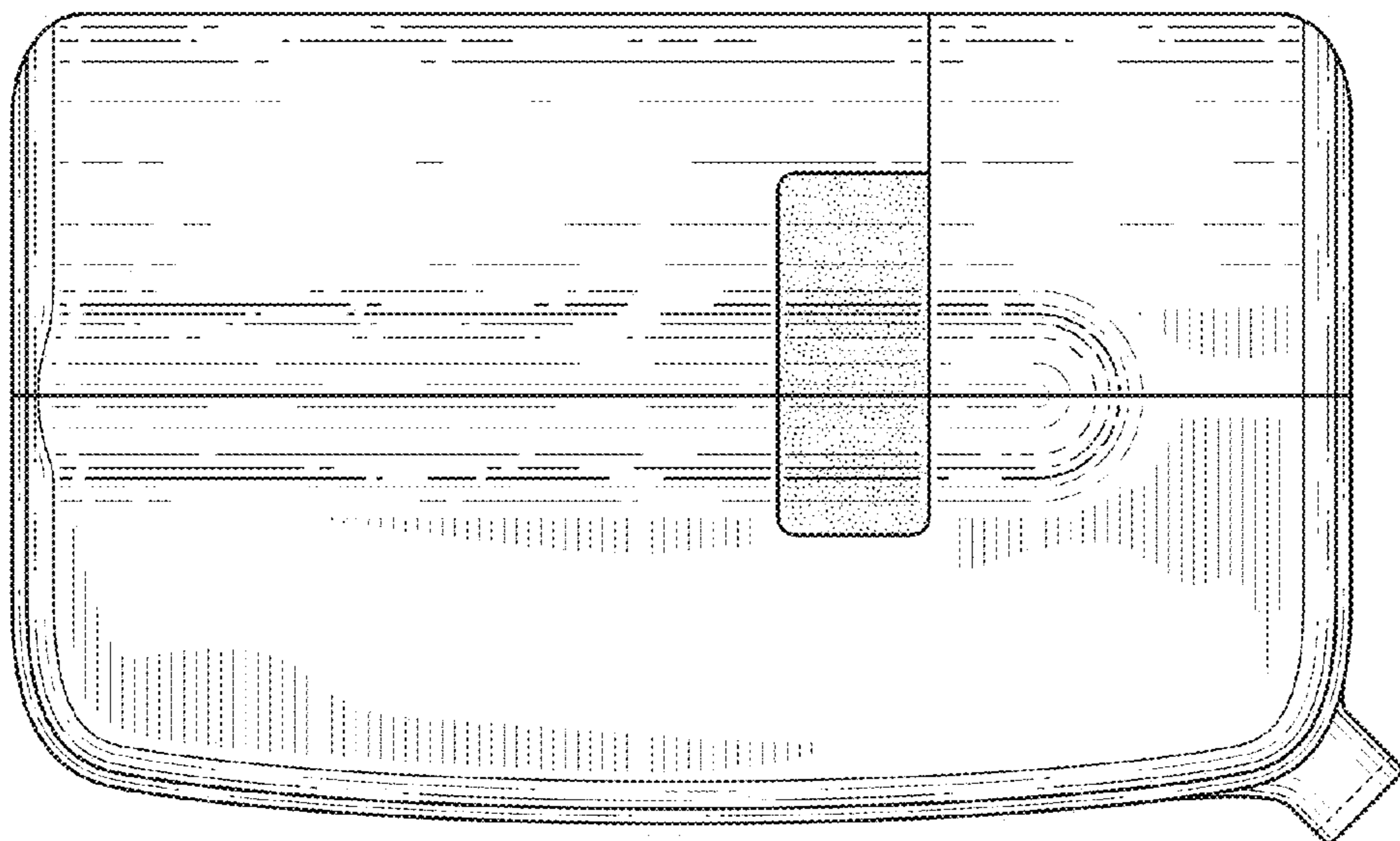


FIG. 4

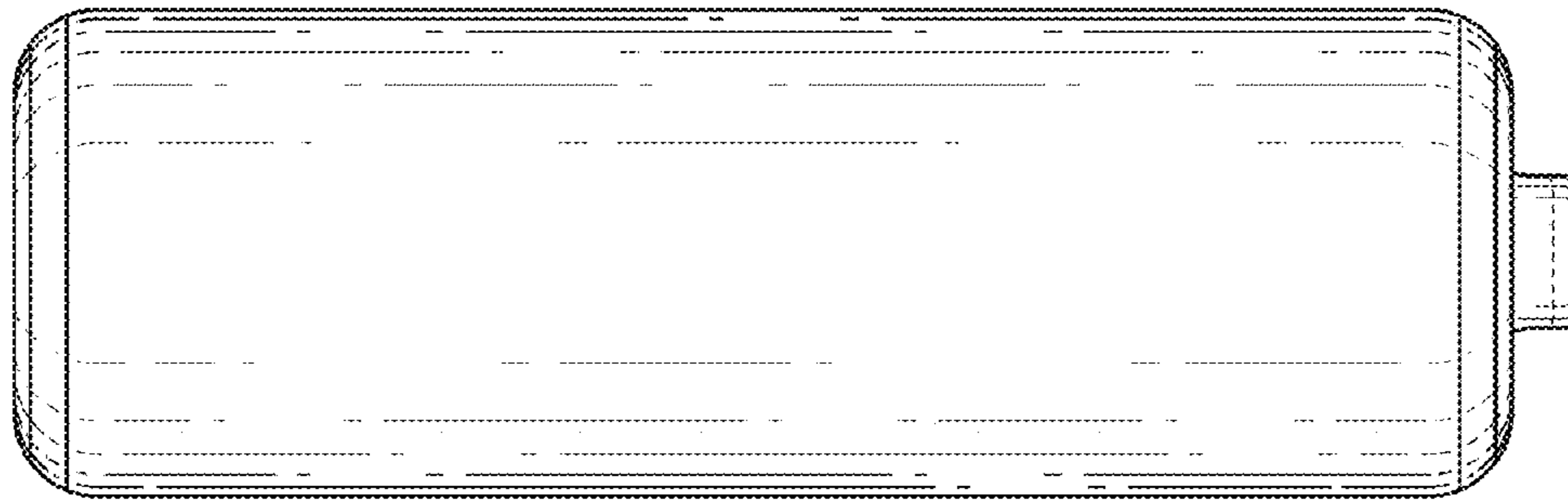


FIG. 5

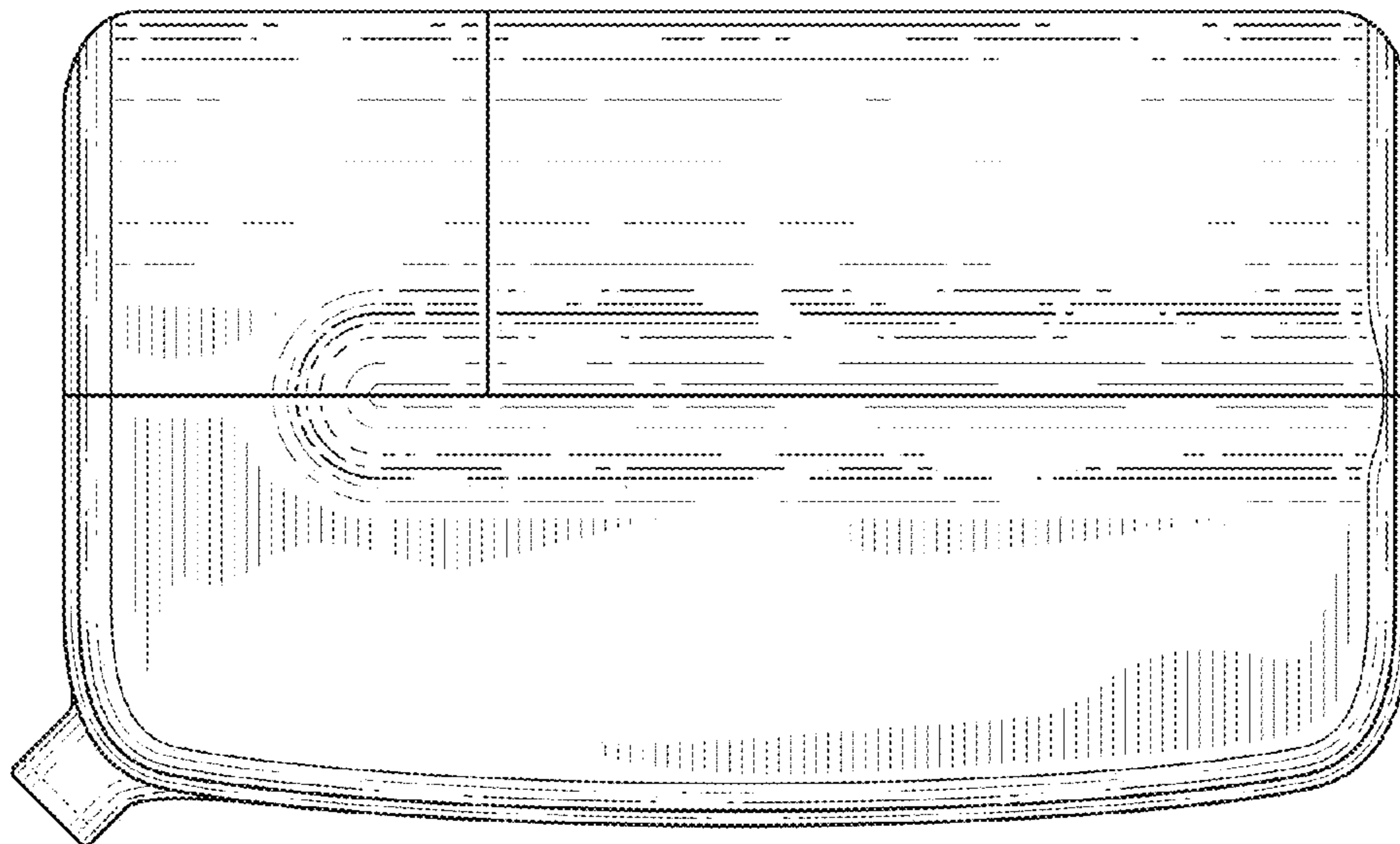


FIG. 6

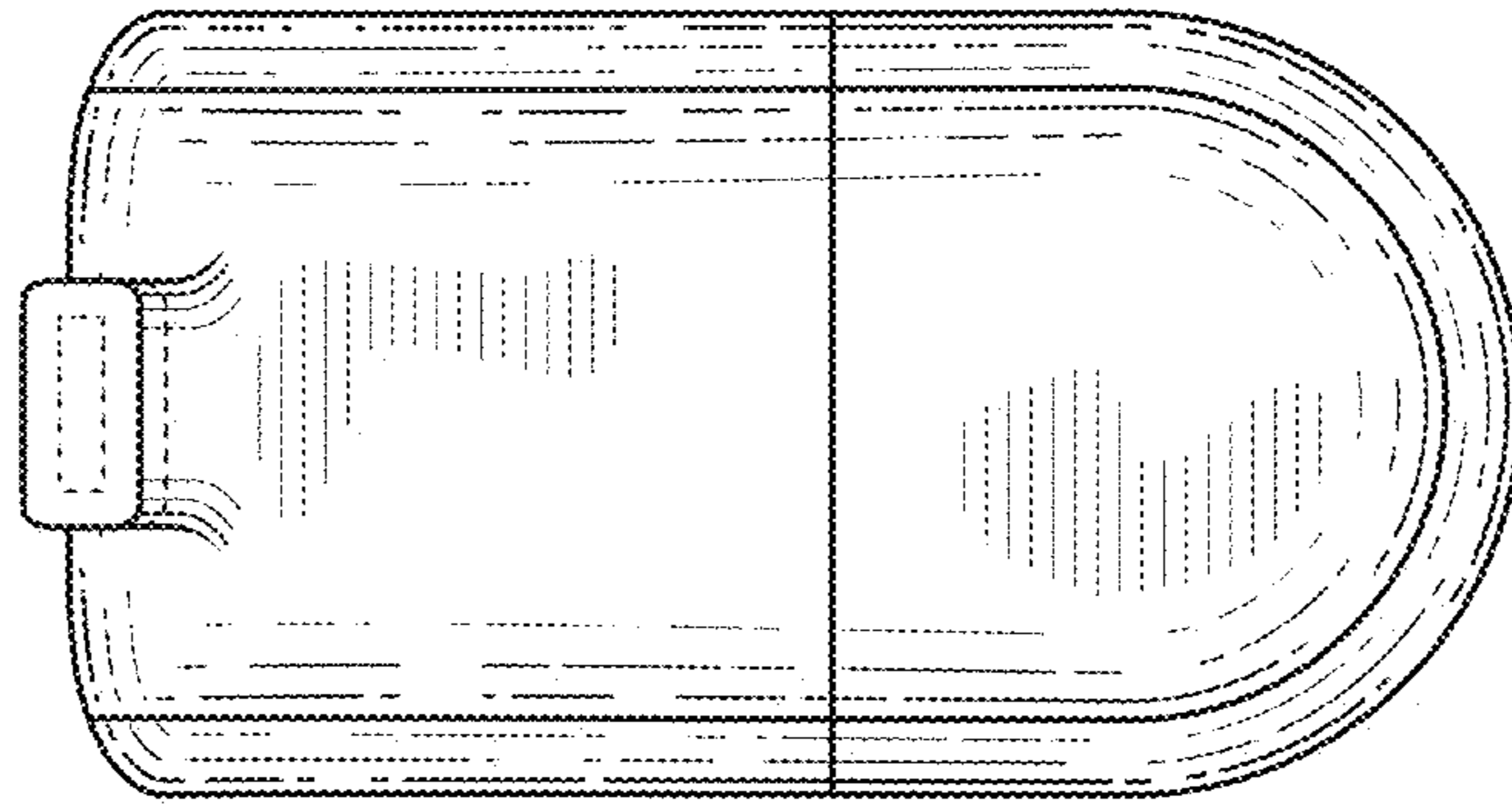


FIG. 7

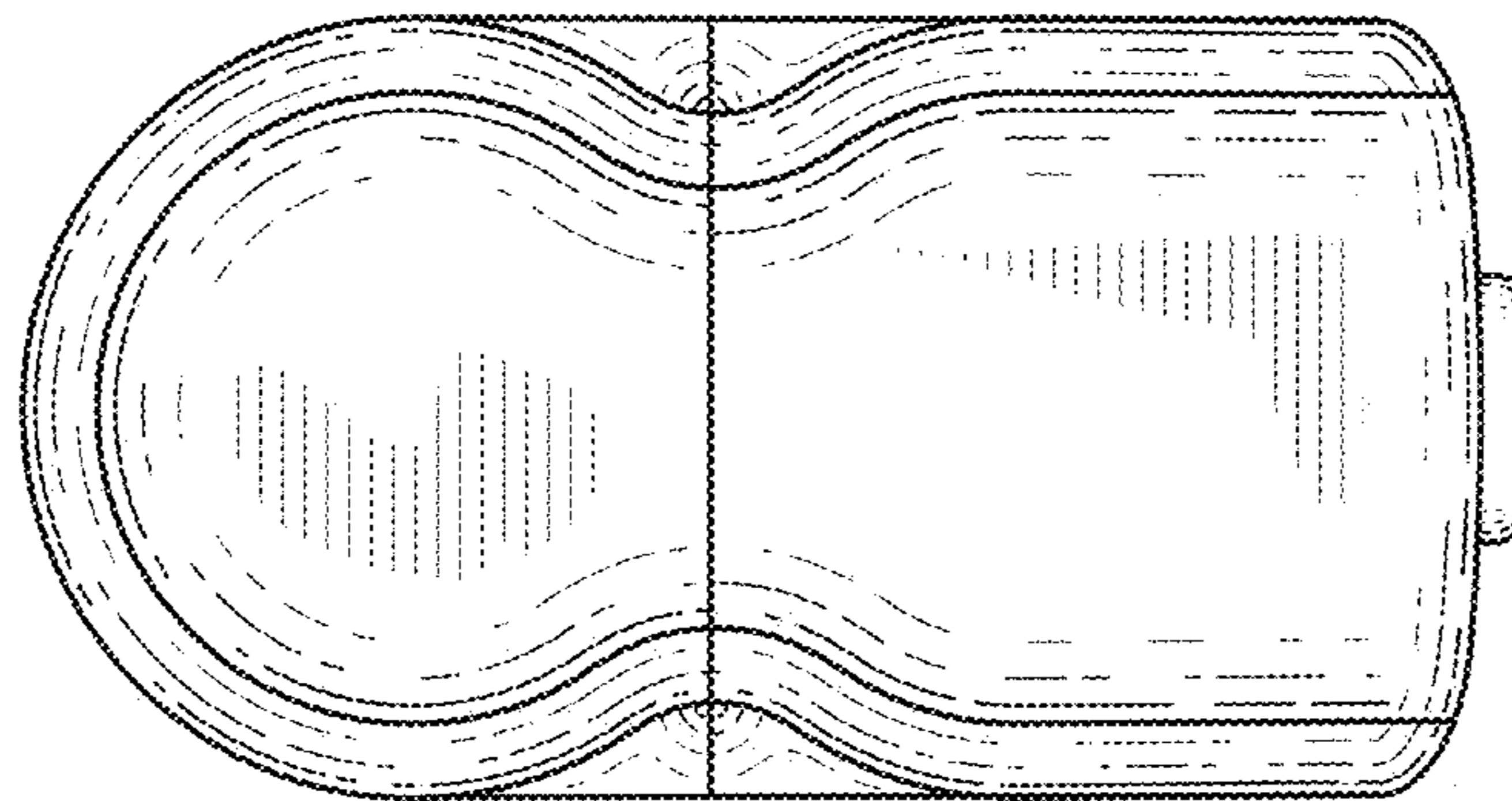


FIG. 8

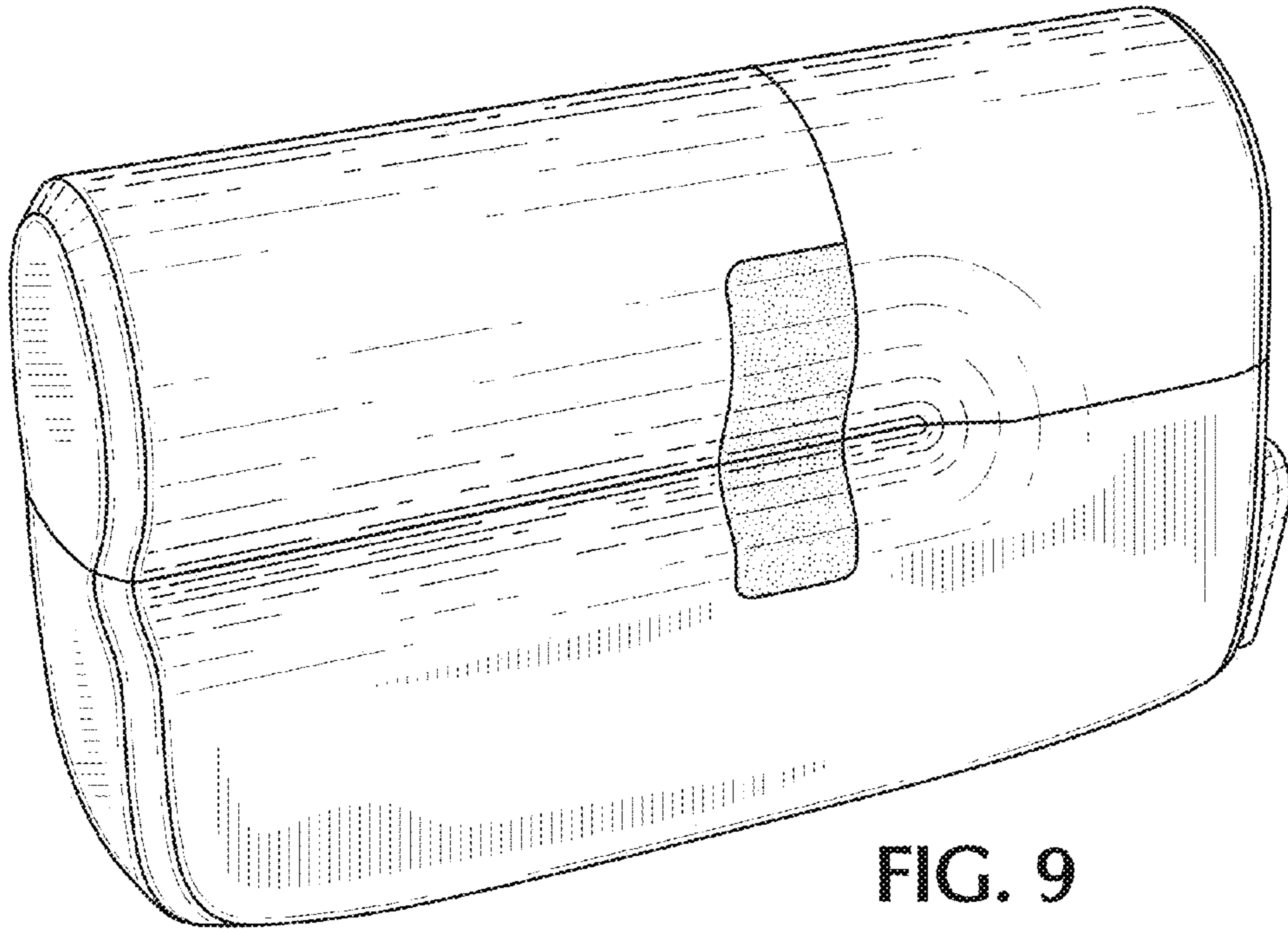


FIG. 9

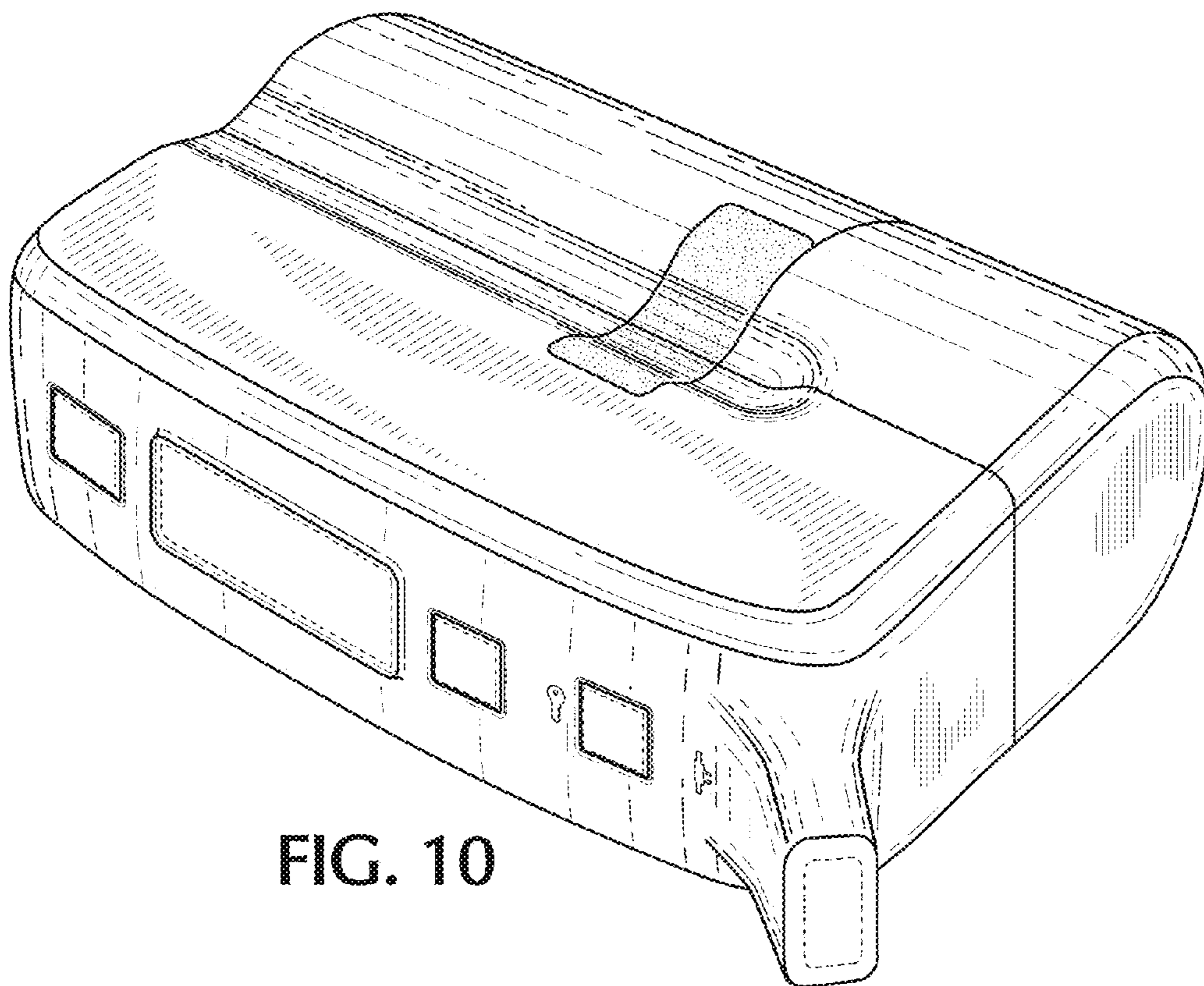


FIG. 10

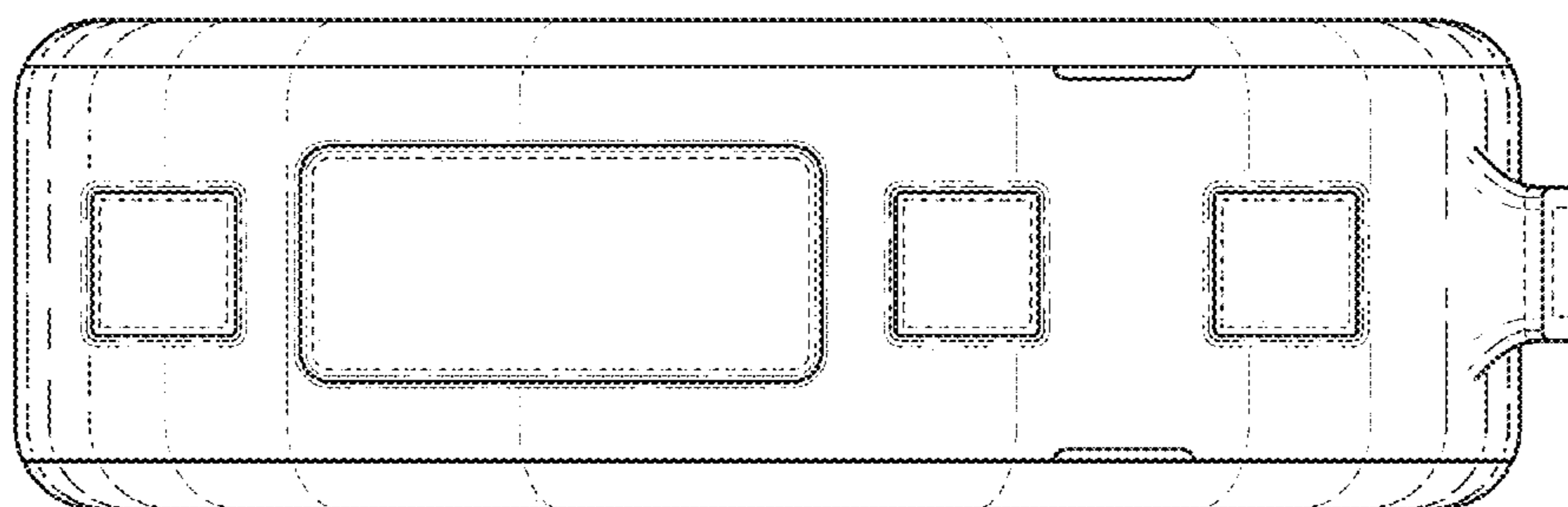


FIG. 11

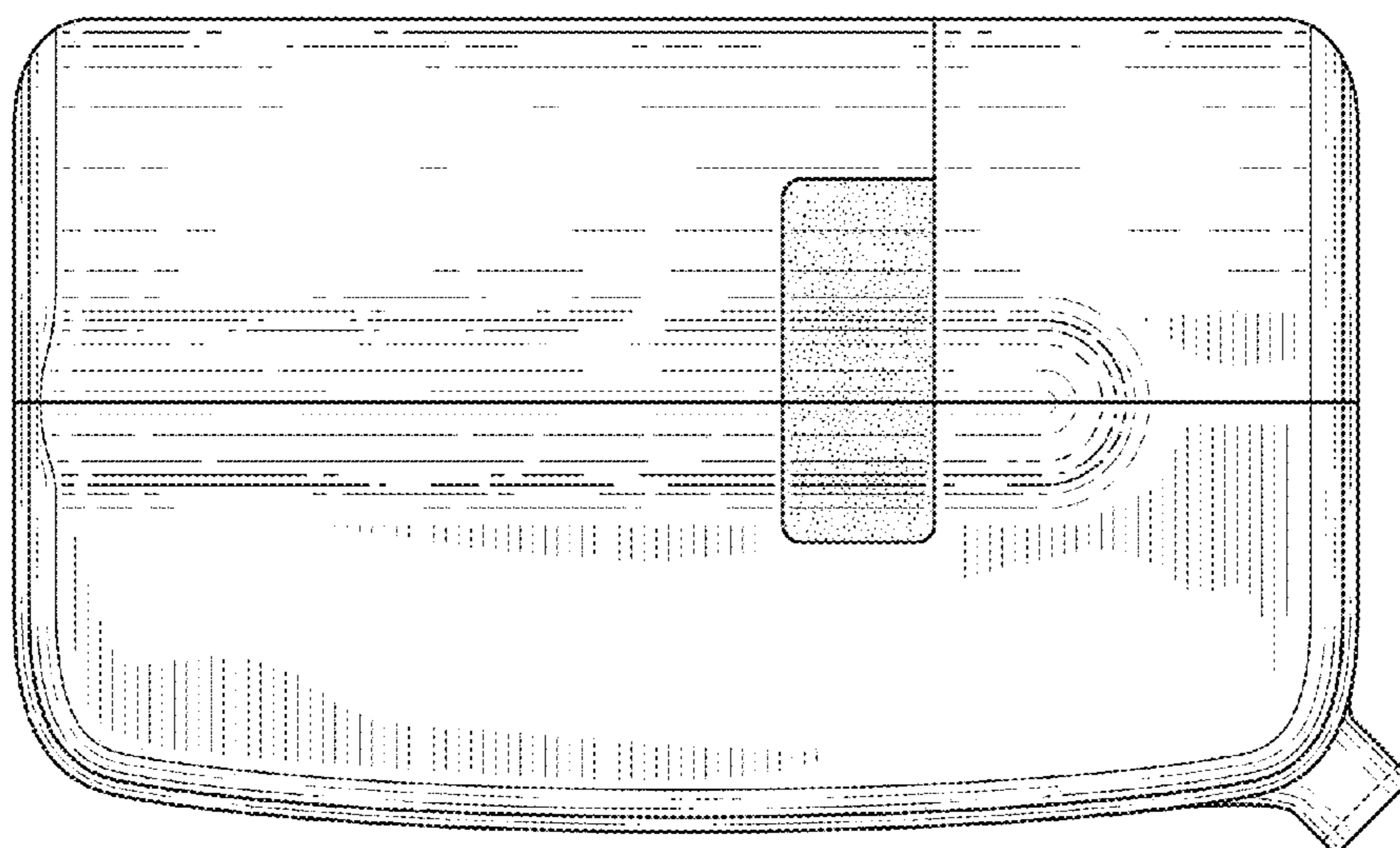


FIG. 12

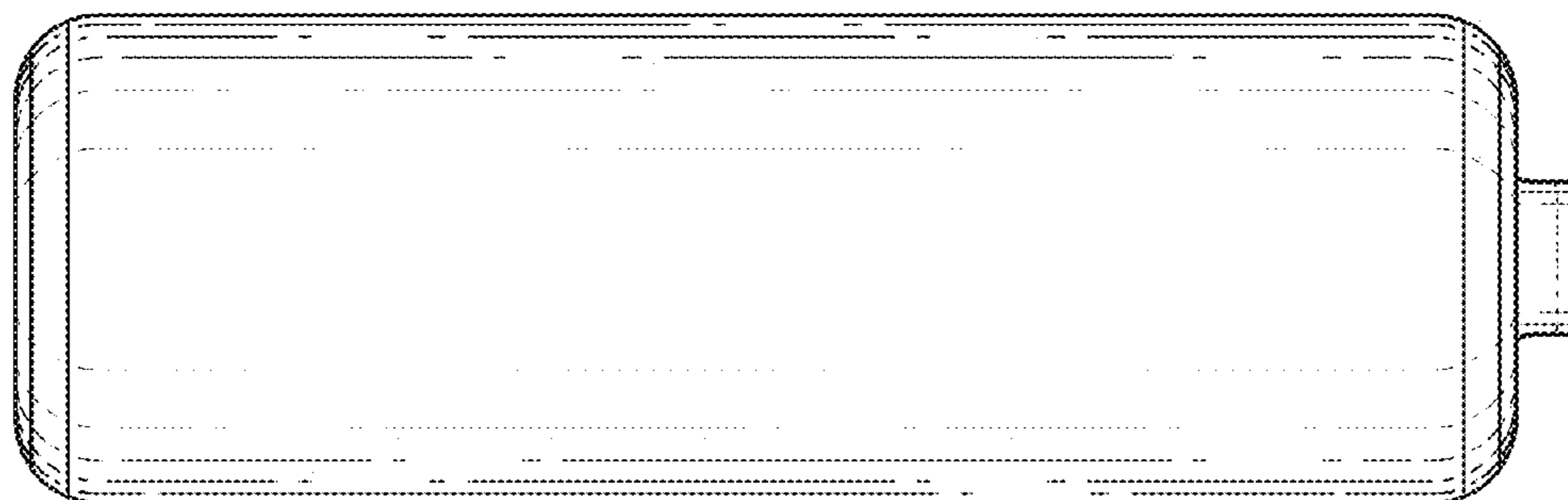


FIG. 13

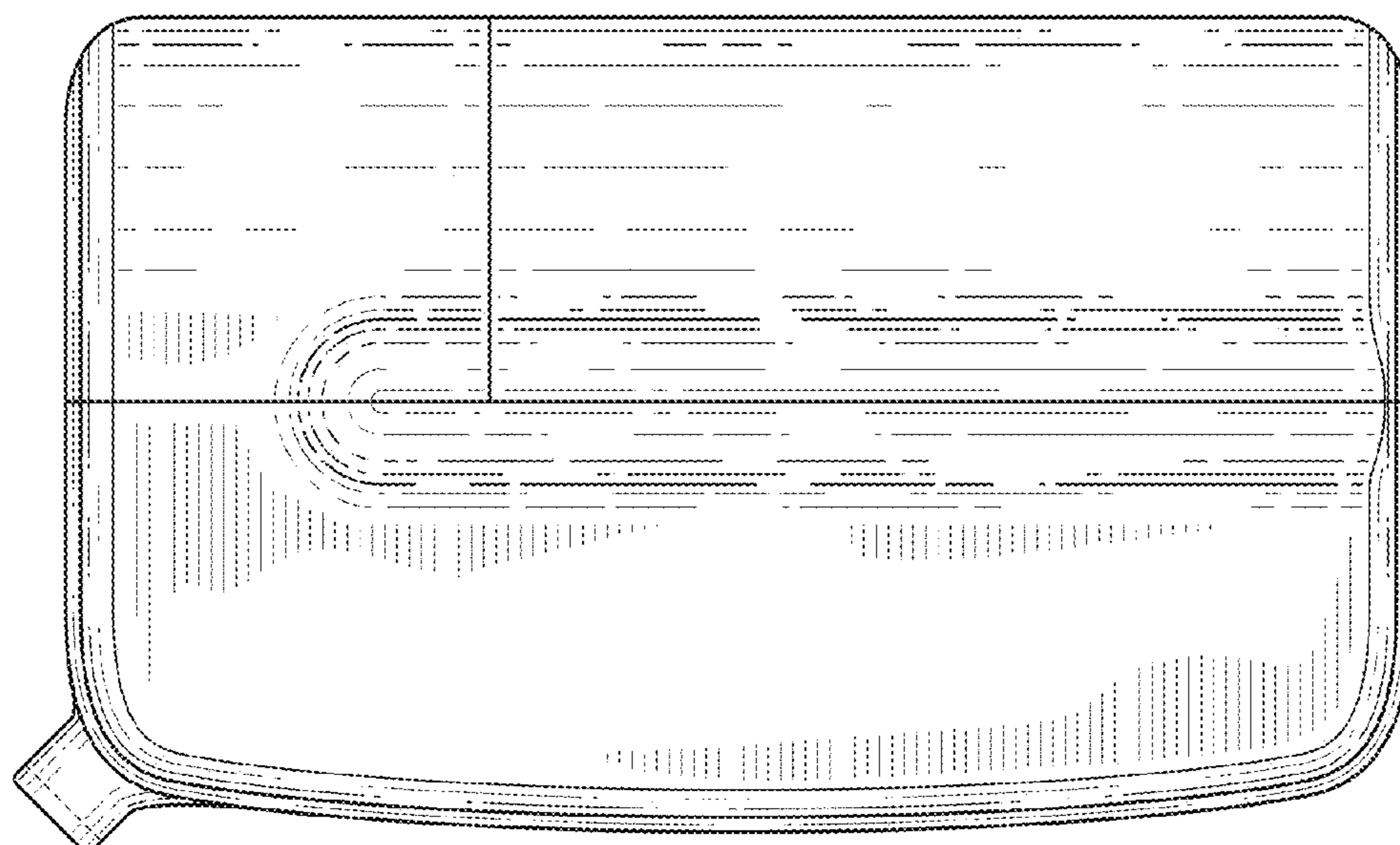


FIG. 14

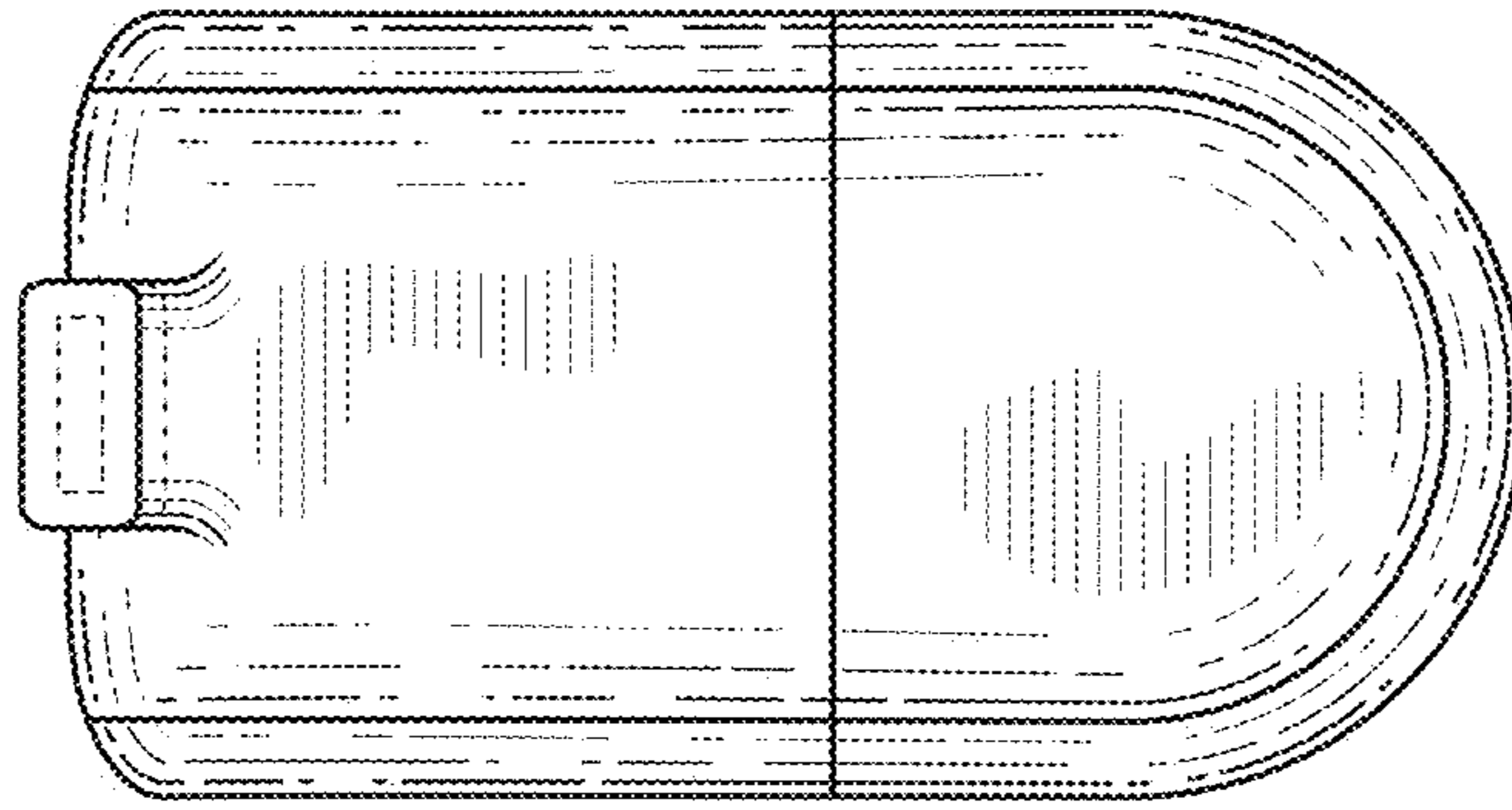


FIG. 15

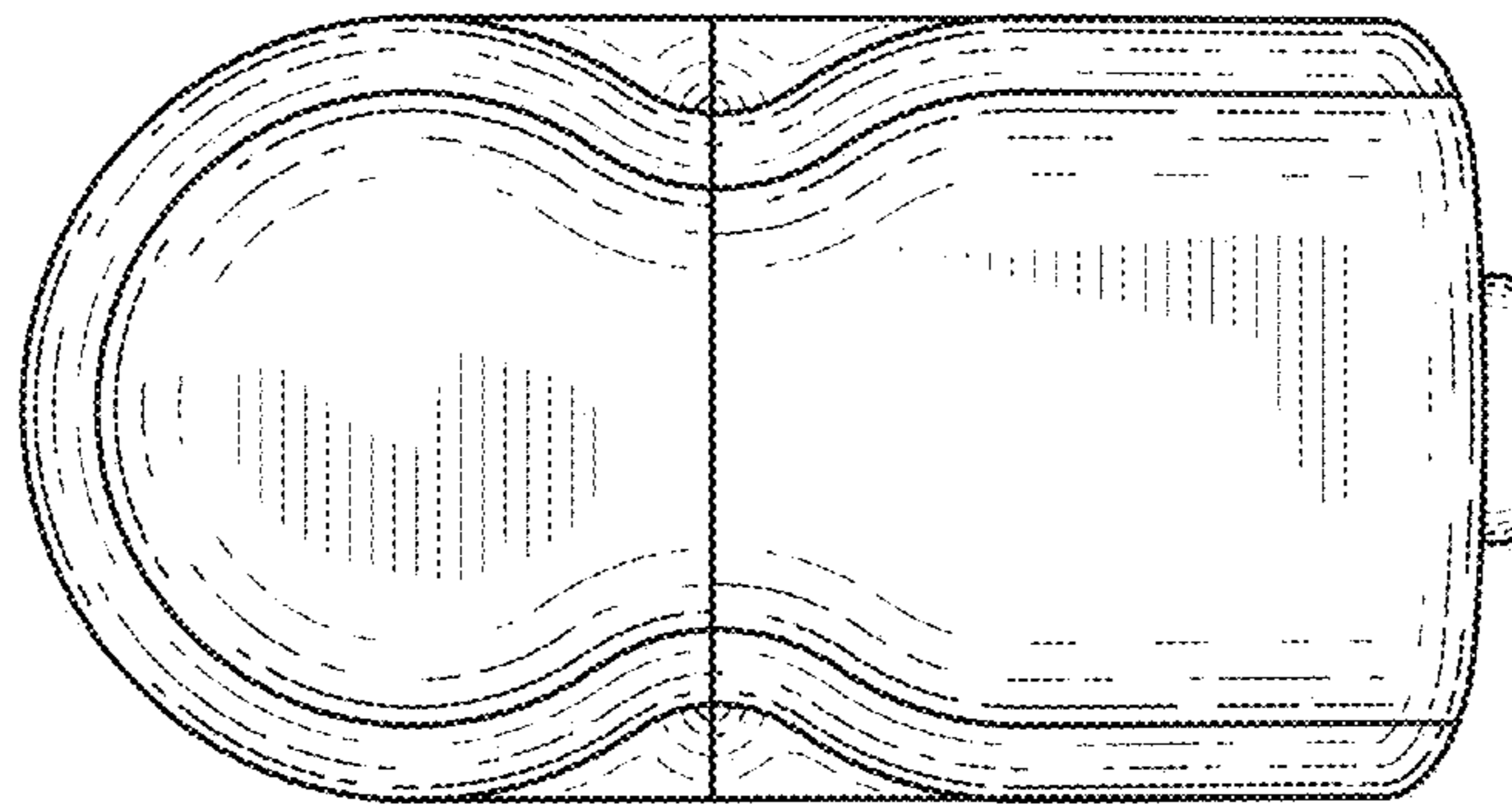


FIG. 16

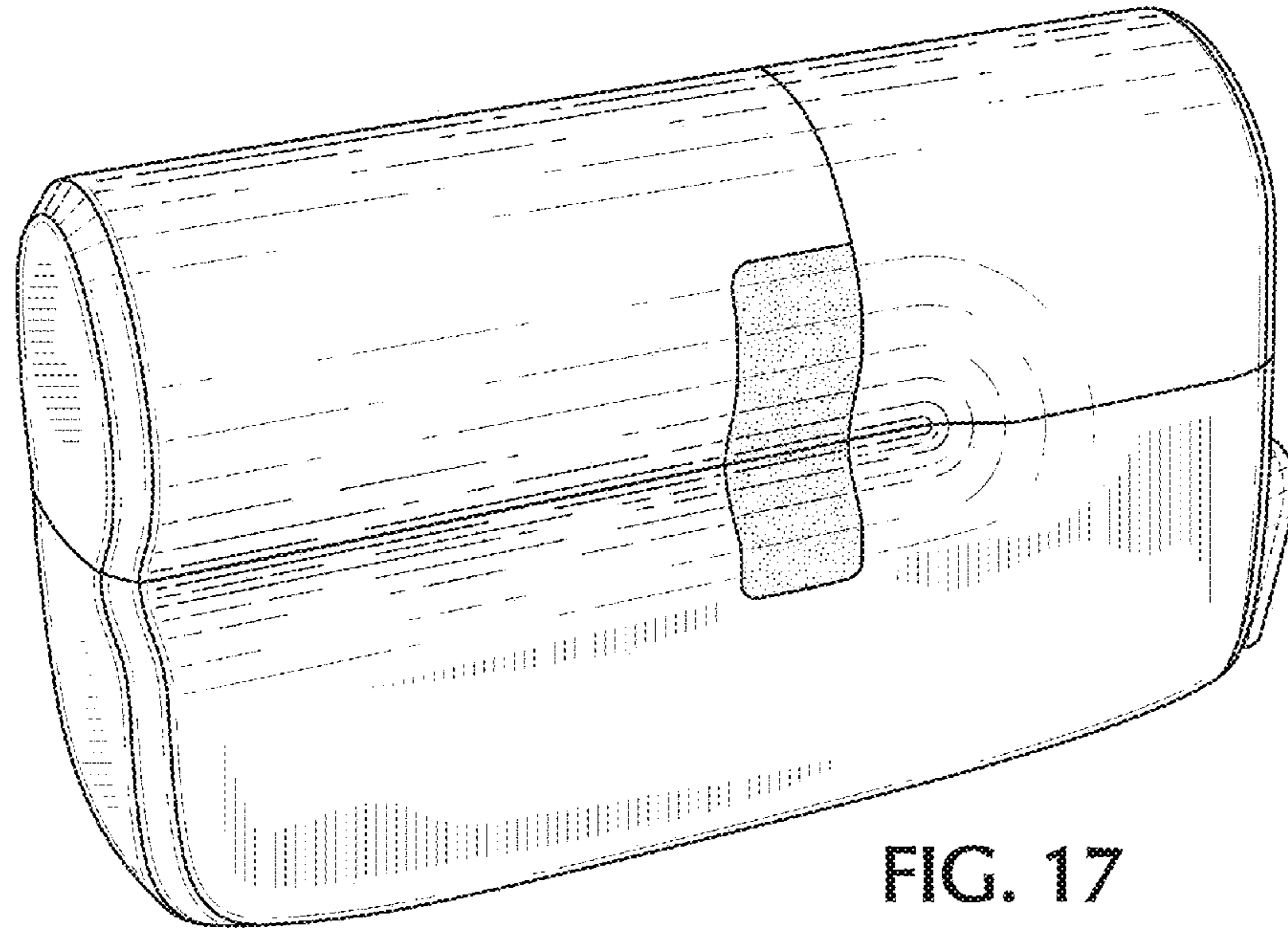


FIG. 17

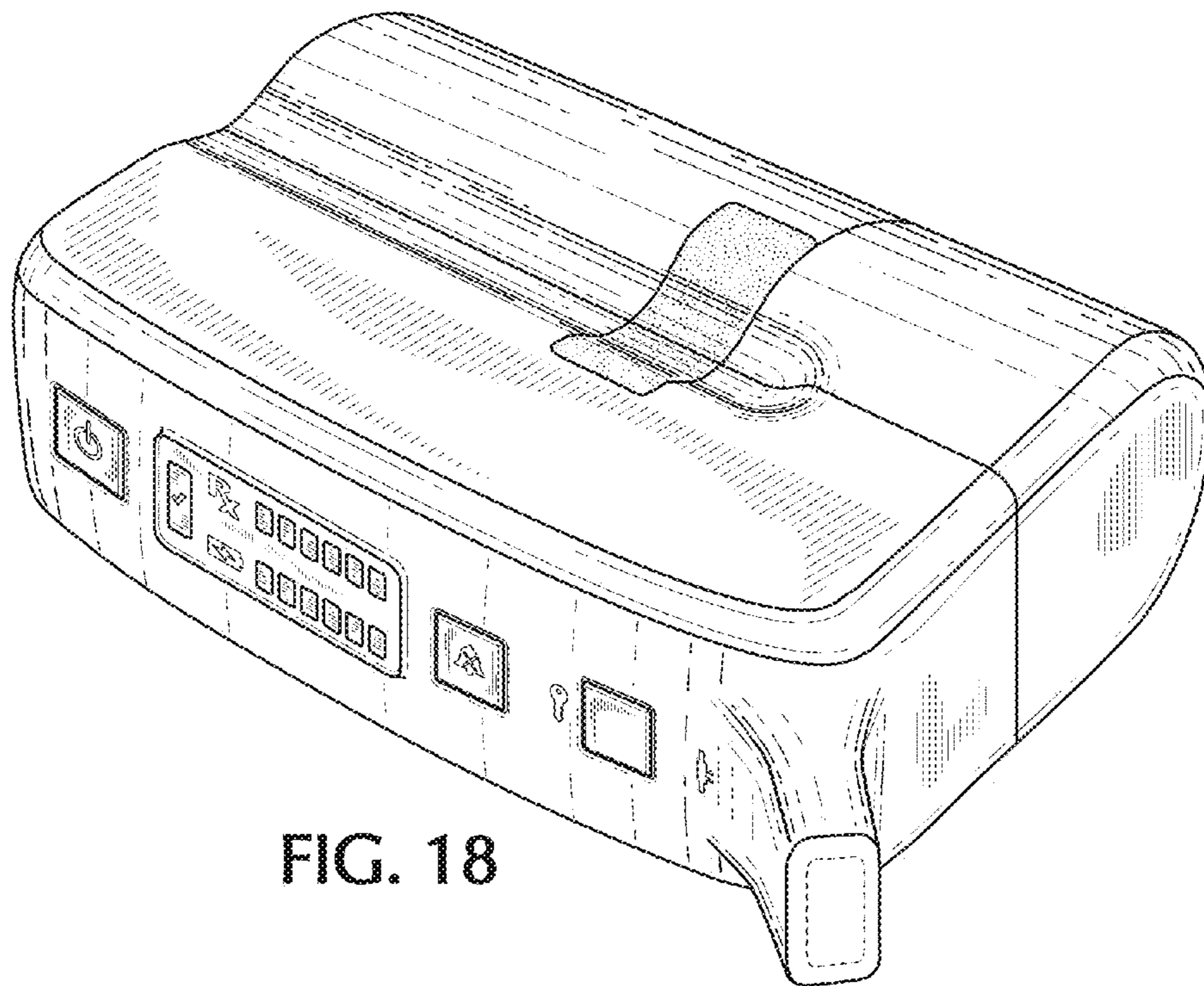


FIG. 18

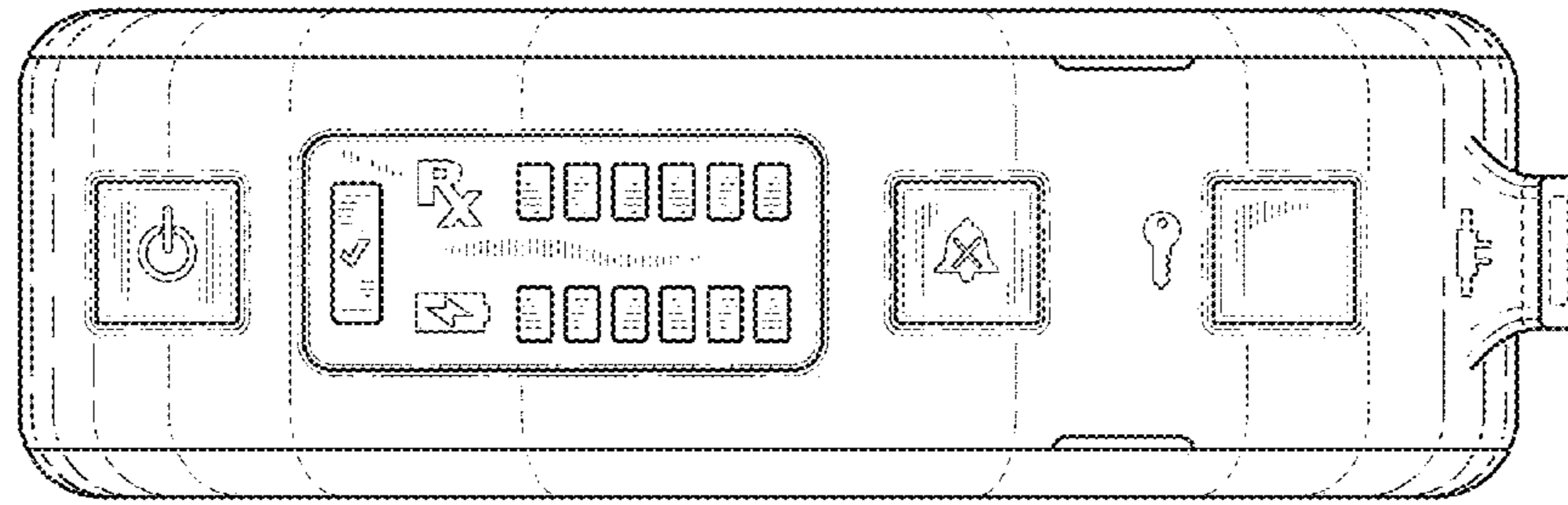


FIG. 19

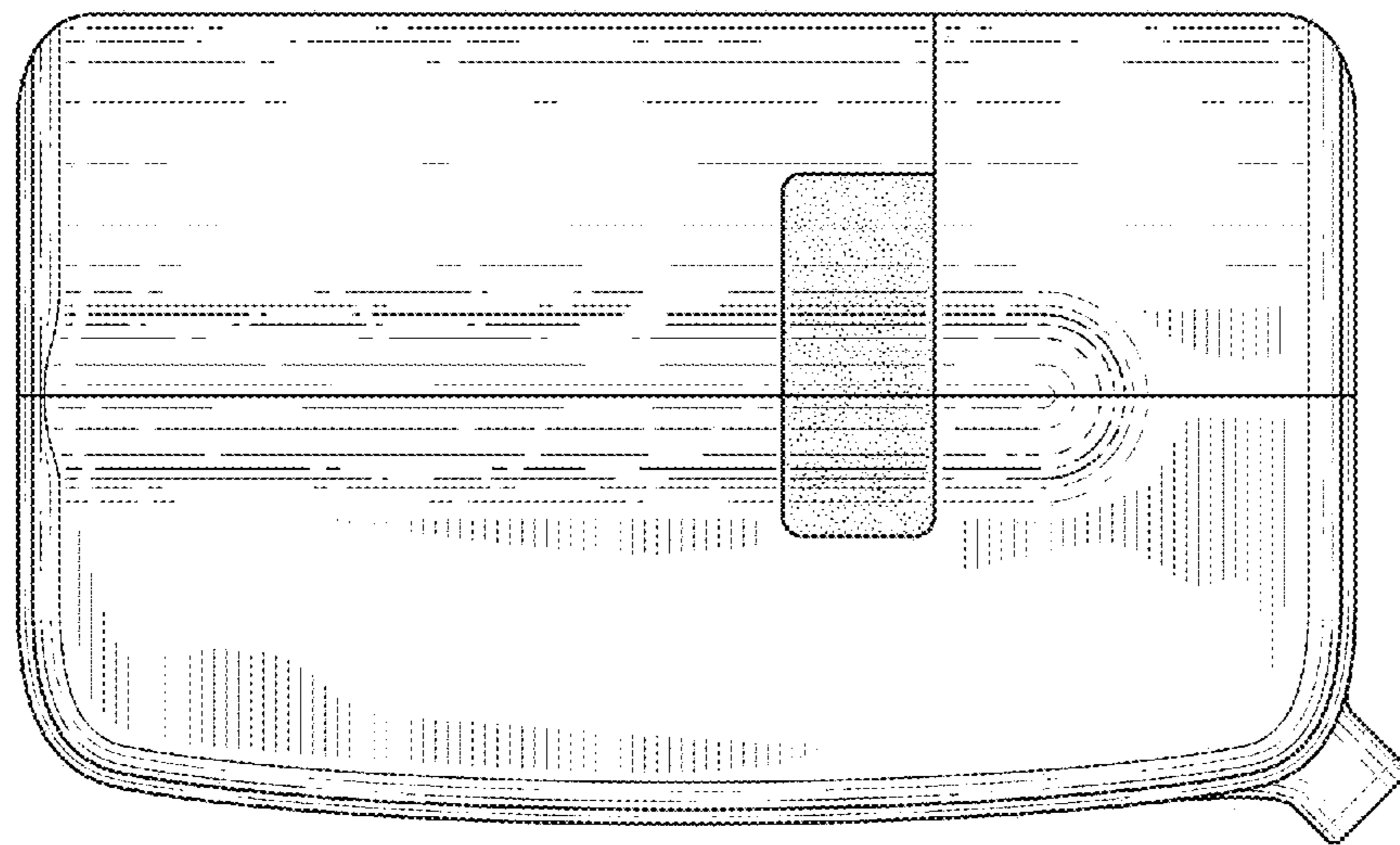


FIG. 20

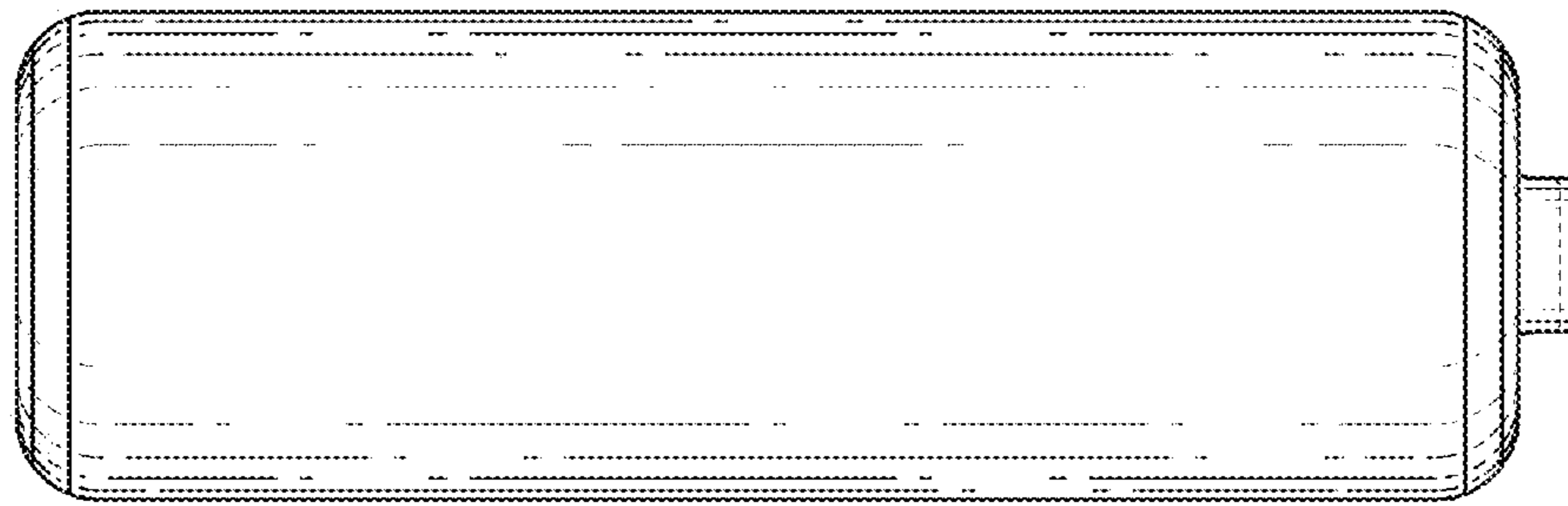


FIG. 21

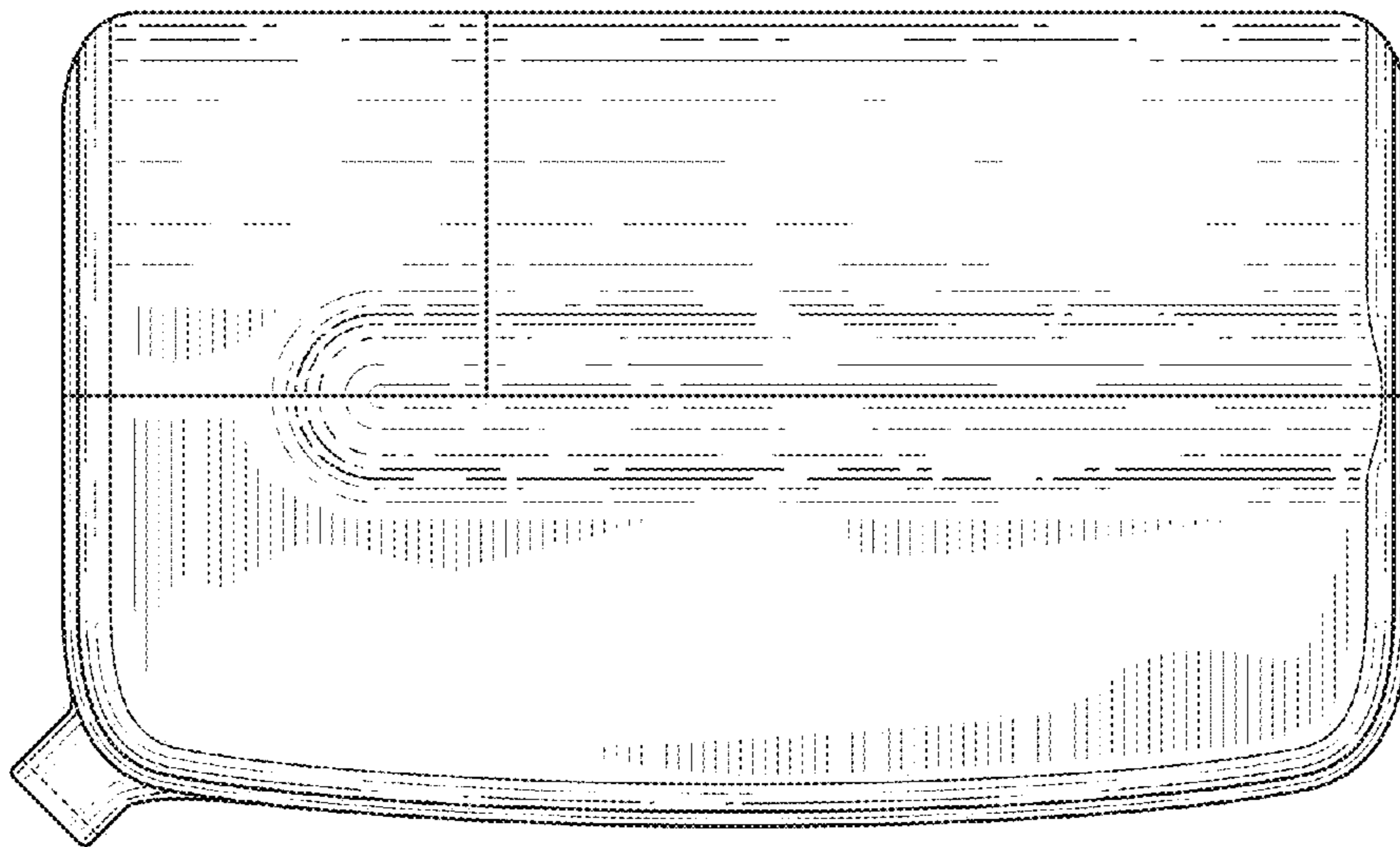


FIG. 22

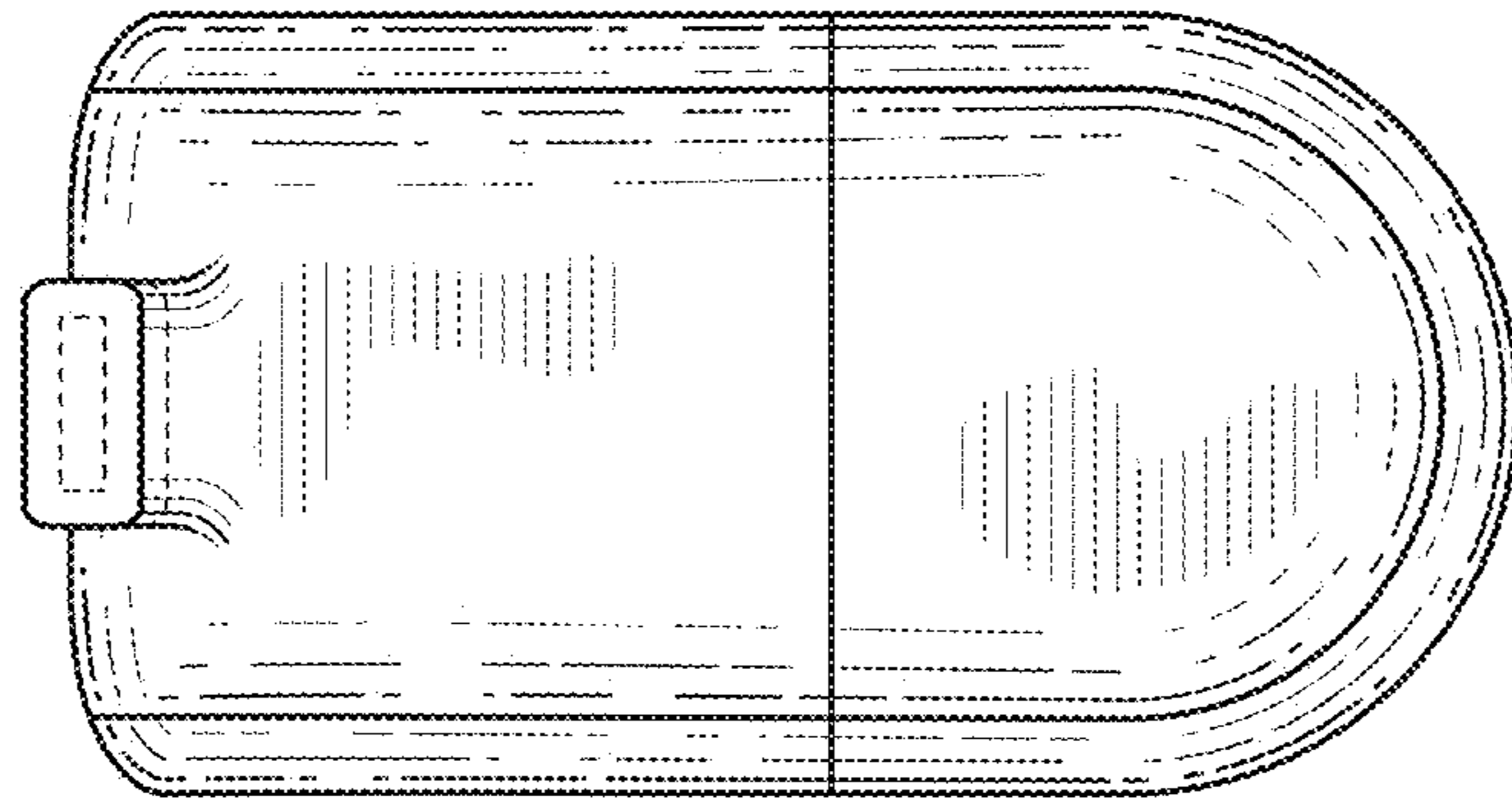


FIG. 23

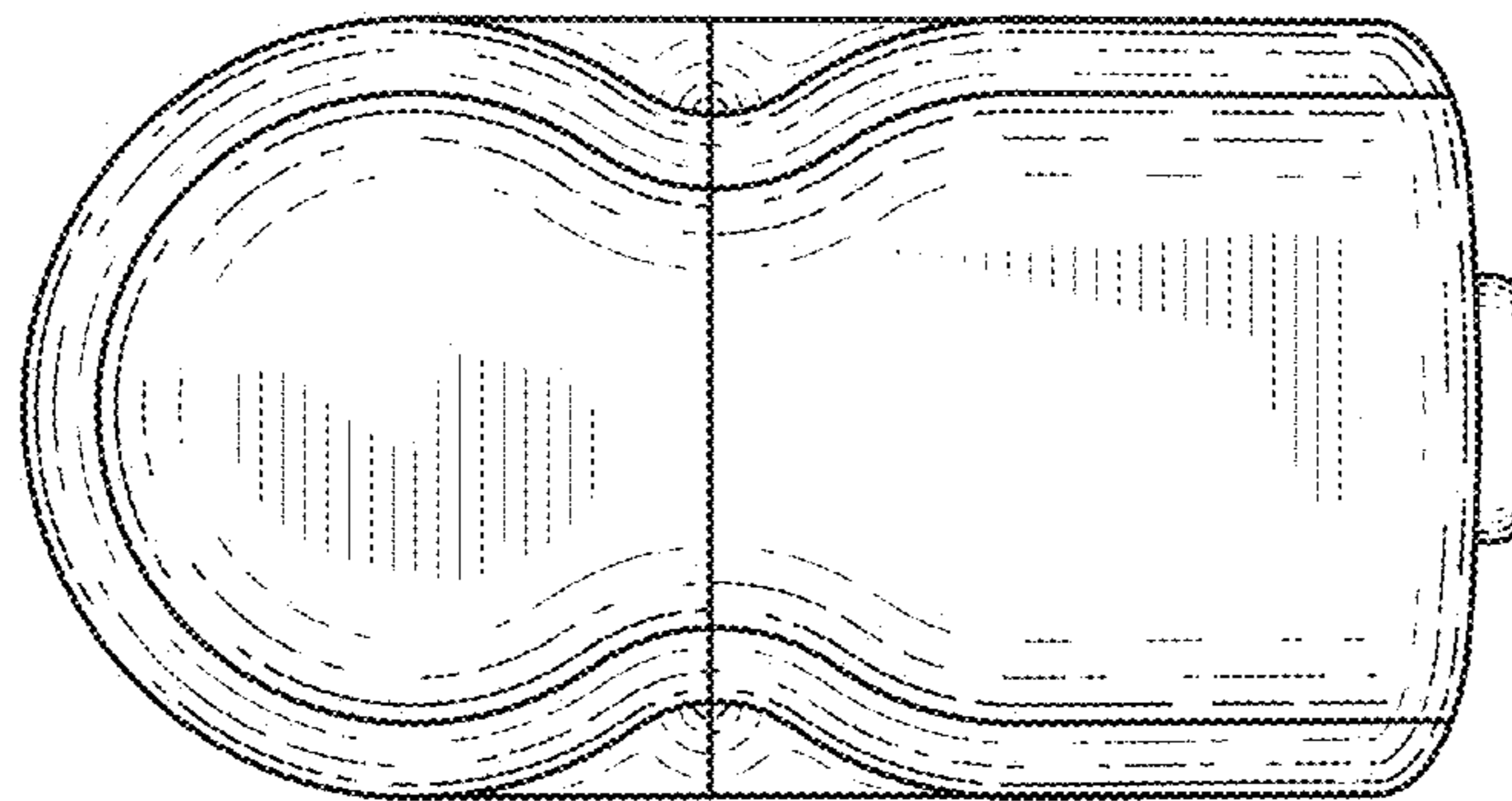


FIG. 24