



US00D701961S

(12) **United States Design Patent**
Charles

(10) **Patent No.:** **US D701,961 S**
(45) **Date of Patent:** **** Apr. 1, 2014**

(54) **PORTABLE IMAGING DEVICE**
(71) Applicant: **Donald Charles**, Weed, CA (US)
(72) Inventor: **Donald Charles**, Weed, CA (US)
(**) Term: **14 Years**
(21) Appl. No.: **29/461,960**
(22) Filed: **Jul. 29, 2013**
(51) **LOC (10) Cl.** **24-01**
(52) **U.S. Cl.**
USPC **D24/158**
(58) **Field of Classification Search**
USPC D24/158–161, 185, 186; D8/394, 396;
378/4, 15, 17, 20, 21, 23–27, 62, 68,
378/146, 195–198, 180; 600/421, 415, 422
See application file for complete search history.

6,826,254	B2 *	11/2004	Mihara et al.	378/64
6,882,878	B2 *	4/2005	Schmit et al.	600/415
7,098,660	B2 *	8/2006	Contrada et al.	324/318
7,394,256	B2 *	7/2008	Schubert et al.	324/321
D583,951	S *	12/2008	Lewis	D24/177
D591,862	S *	5/2009	Taniguchi et al.	D24/158
D624,186	S *	9/2010	Youn	D24/158
D639,949	S *	6/2011	Wodecki	D24/158
D665,911	S *	8/2012	Laukkanen et al.	D24/158
D692,139	S *	10/2013	Charles	D24/158
2010/0198052	A1 *	8/2010	Jenkins et al.	600/417

* cited by examiner

Primary Examiner — Anhdao Doan

(74) *Attorney, Agent, or Firm* — QuickPatents; Kevin Prince

(57) **CLAIM**

I claim the ornamental design for a portable imaging device, as shown and described.

DESCRIPTION

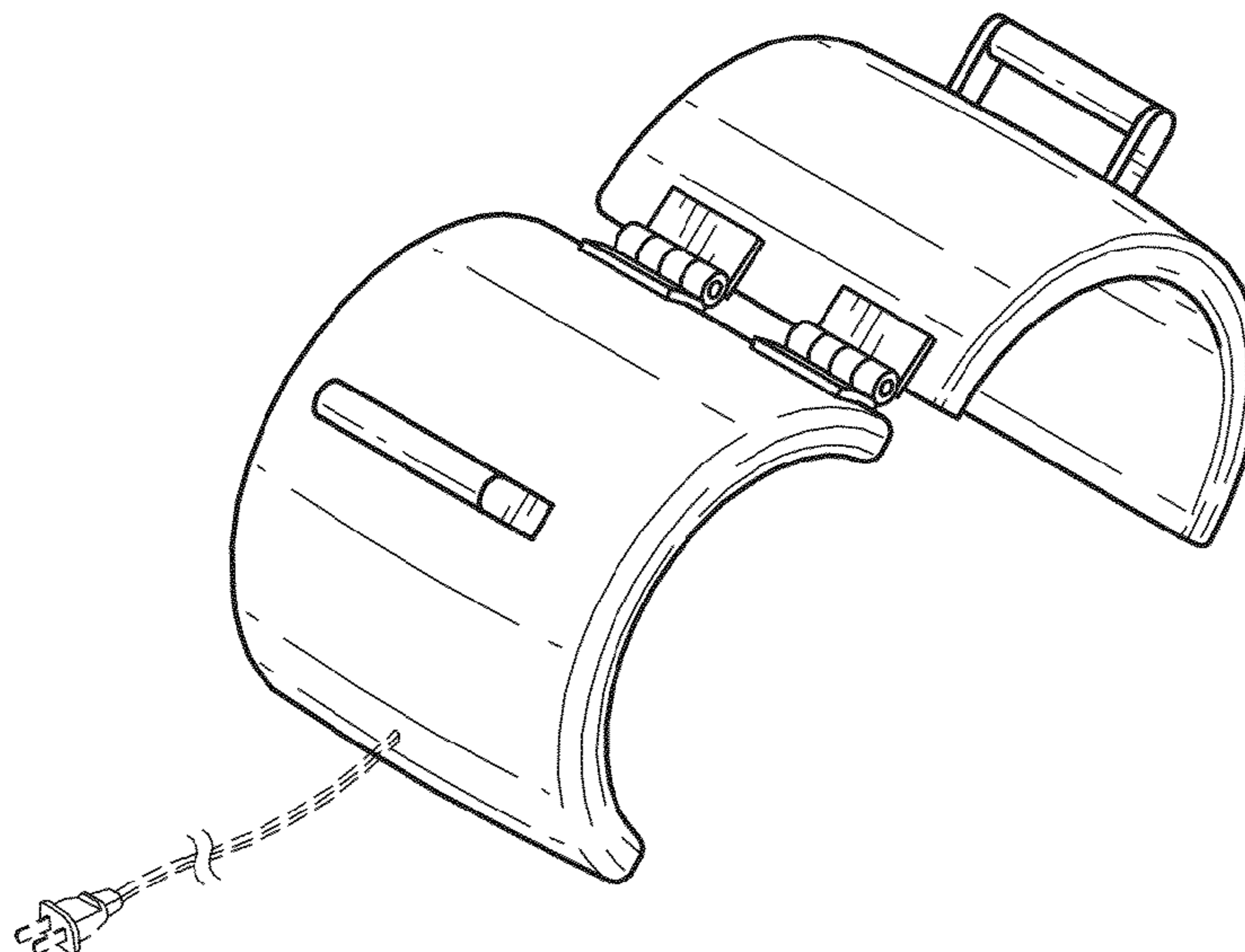
FIG. 1 is a perspective view of a portable imaging device showing my new design in an open position; FIG. 2 is a right-side elevational view of FIG. 1, the left-side elevational view being a mirror image thereof; FIG. 3 is a front elevational view of FIG. 1, the rear elevational view being a mirror image thereof; FIG. 4 is a bottom plan view of FIG. 1; FIG. 5 is a top plan view of FIG. 1; and, FIG. 6 is a perspective view thereof, showing the device in a closed position. The broken lines showing a power cord in FIGS. 1, 2, and 4-6 depict environmental matter forming no part of the claimed design.

1 Claim, 3 Drawing Sheets

(56) **References Cited**

U.S. PATENT DOCUMENTS

D181,521	S *	11/1957	Ensign et al.	D24/158
4,053,781	A *	10/1977	Hounsfield	378/18
D246,534	S *	11/1977	Buckley	D24/177
4,166,602	A *	9/1979	Nilsen et al.	248/280.11
4,590,695	A *	5/1986	McGillivray	38/102.2
D290,500	S *	6/1987	Makas et al.	D24/158
5,003,278	A *	3/1991	May	336/92
D350,825	S *	9/1994	Lee	D29/100
5,435,302	A *	7/1995	Lenkinski et al.	600/422
D380,832	S *	7/1997	Isshiki et al.	D24/158
6,141,580	A *	10/2000	Hayashi et al.	600/422
D470,589	S *	2/2003	Choi et al.	D24/158
6,684,096	B2 *	1/2004	Schmit et al.	600/415
D492,997	S *	7/2004	DiStasio	D24/158
D495,240	S *	8/2004	Mnich et al.	D8/355



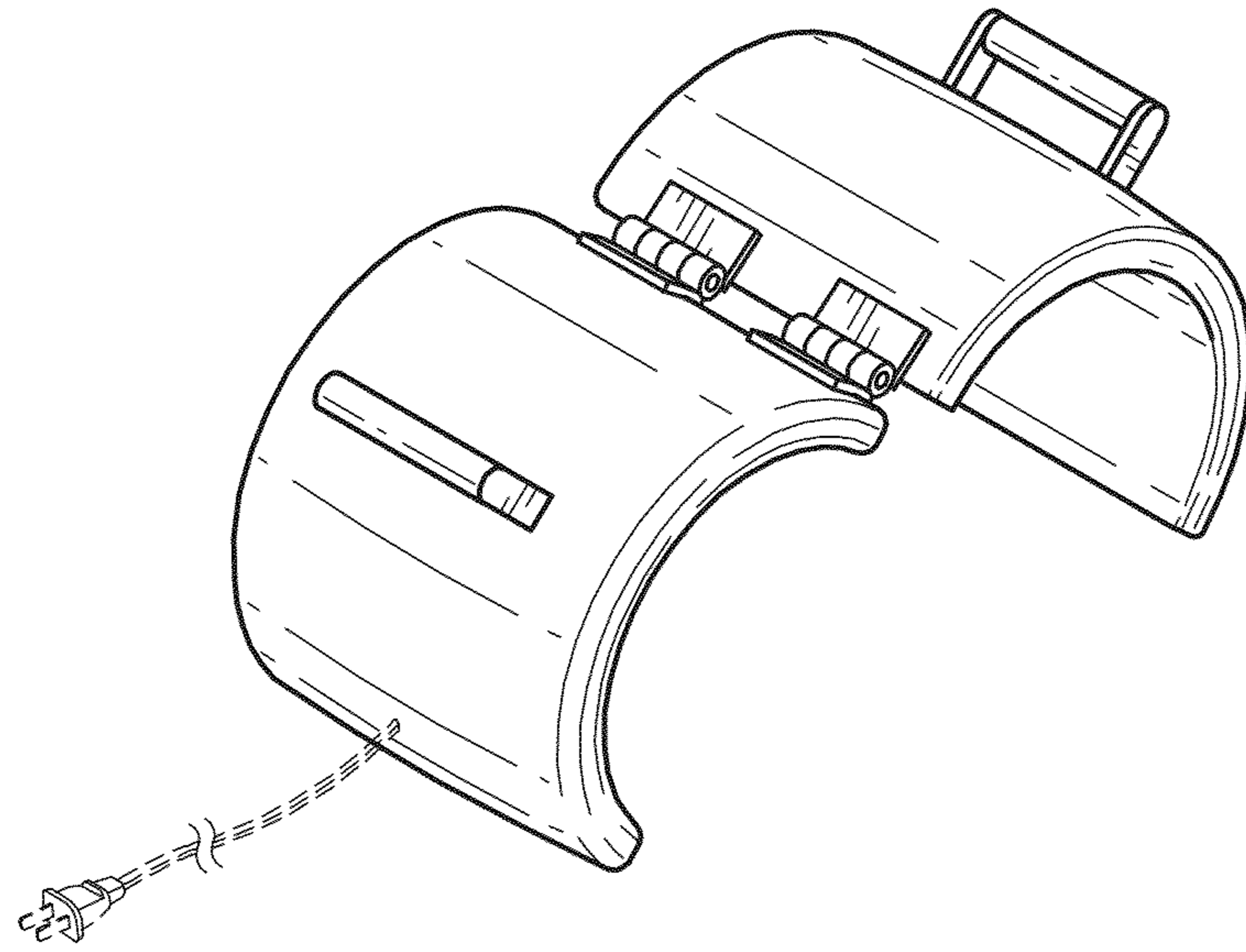


FIG. 1

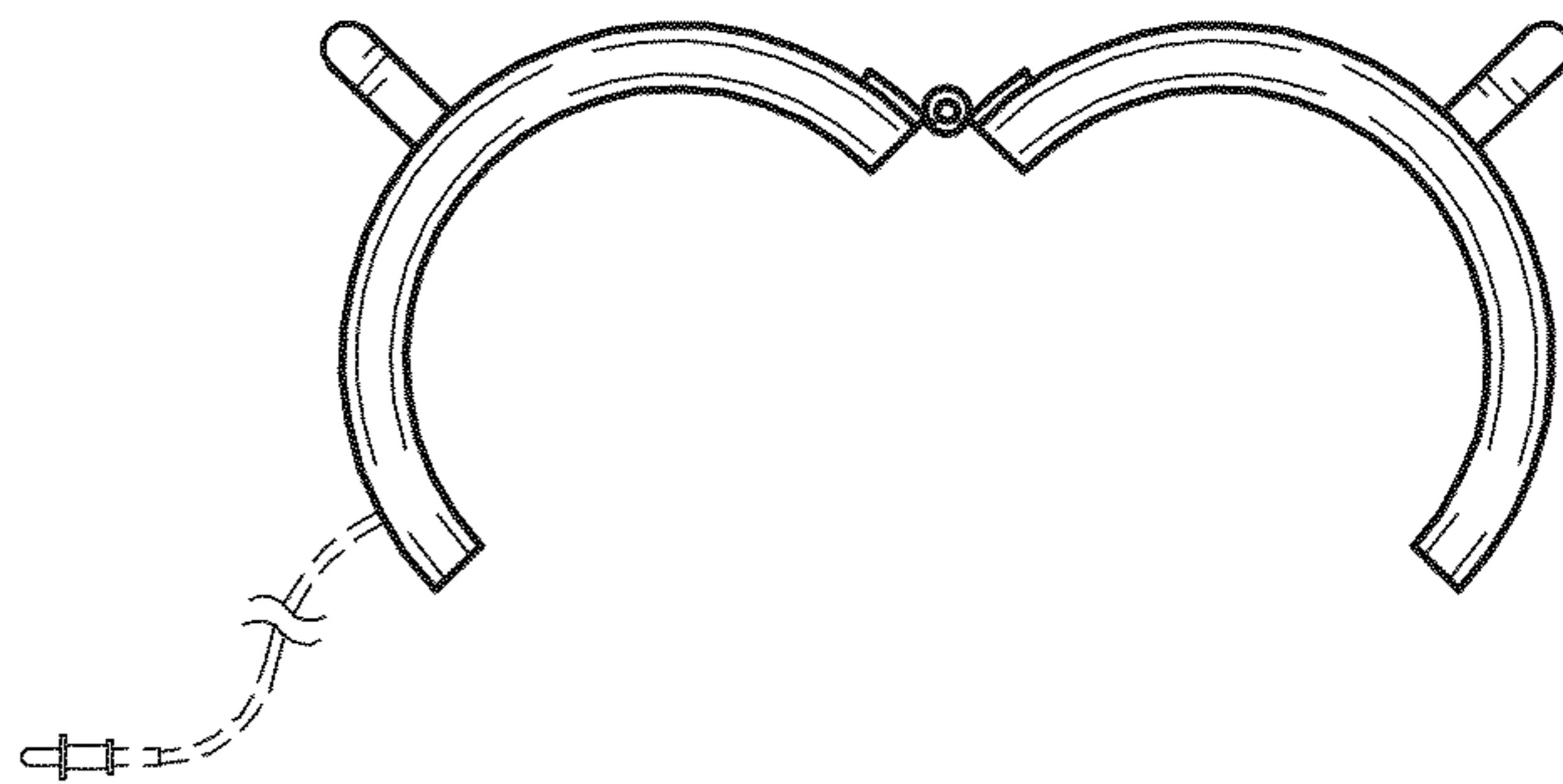


FIG. 2

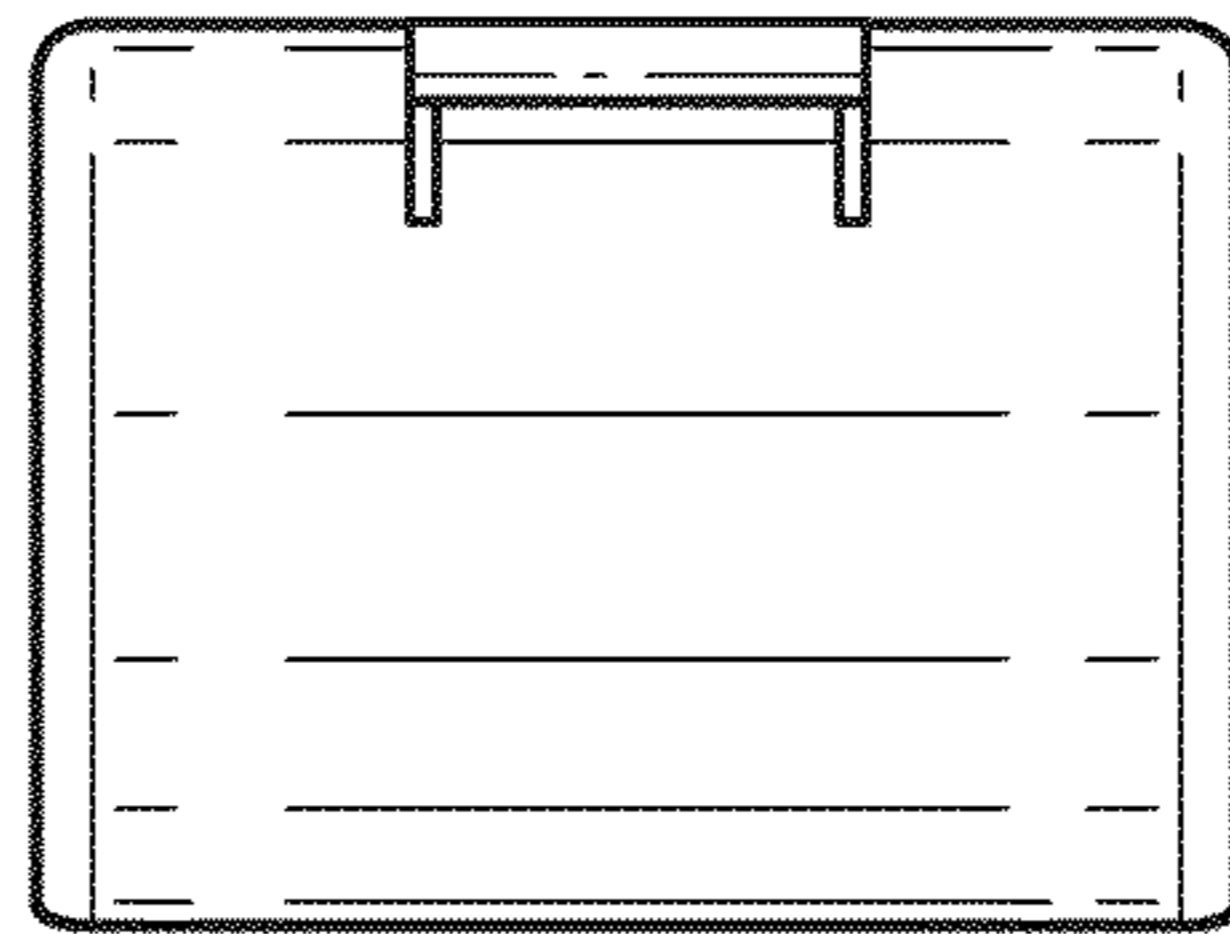


FIG. 3

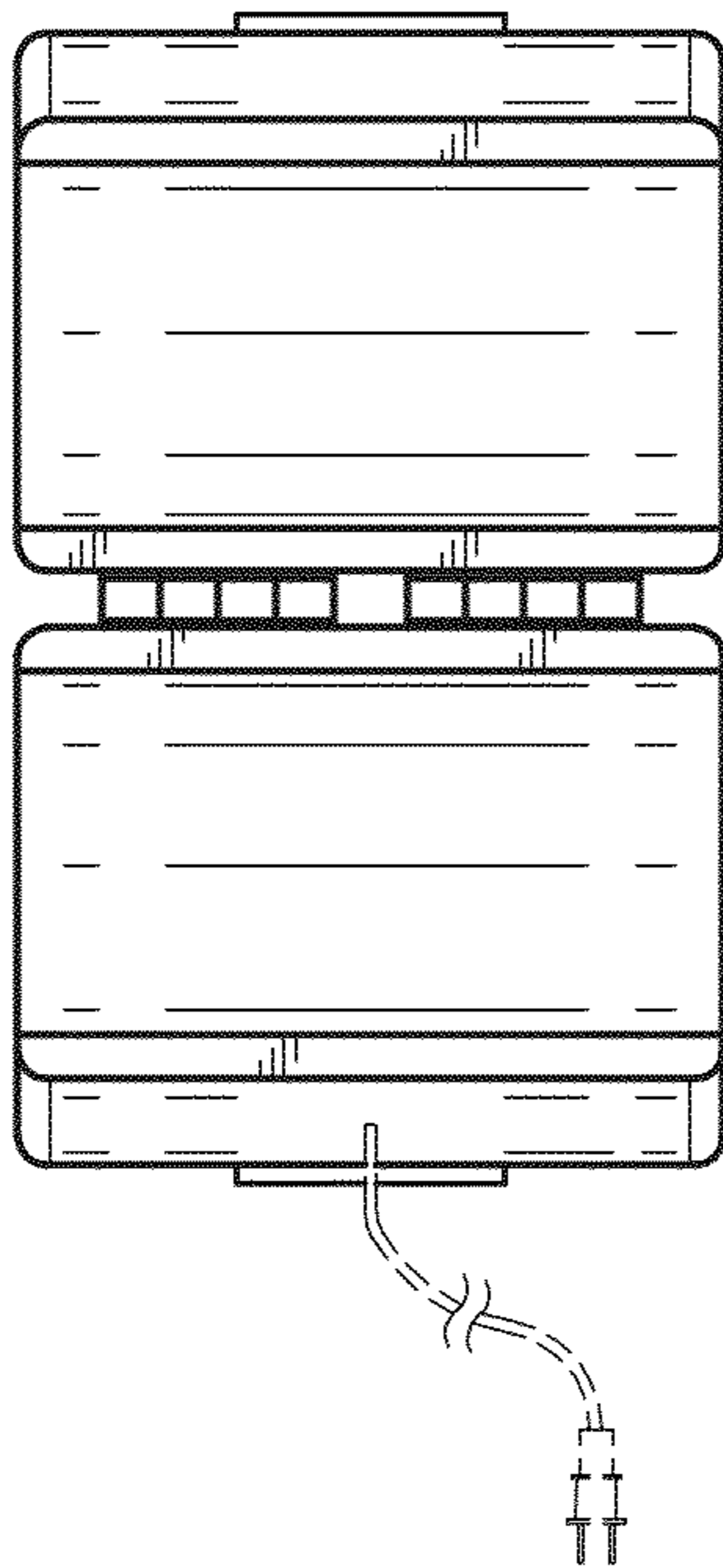


FIG. 4

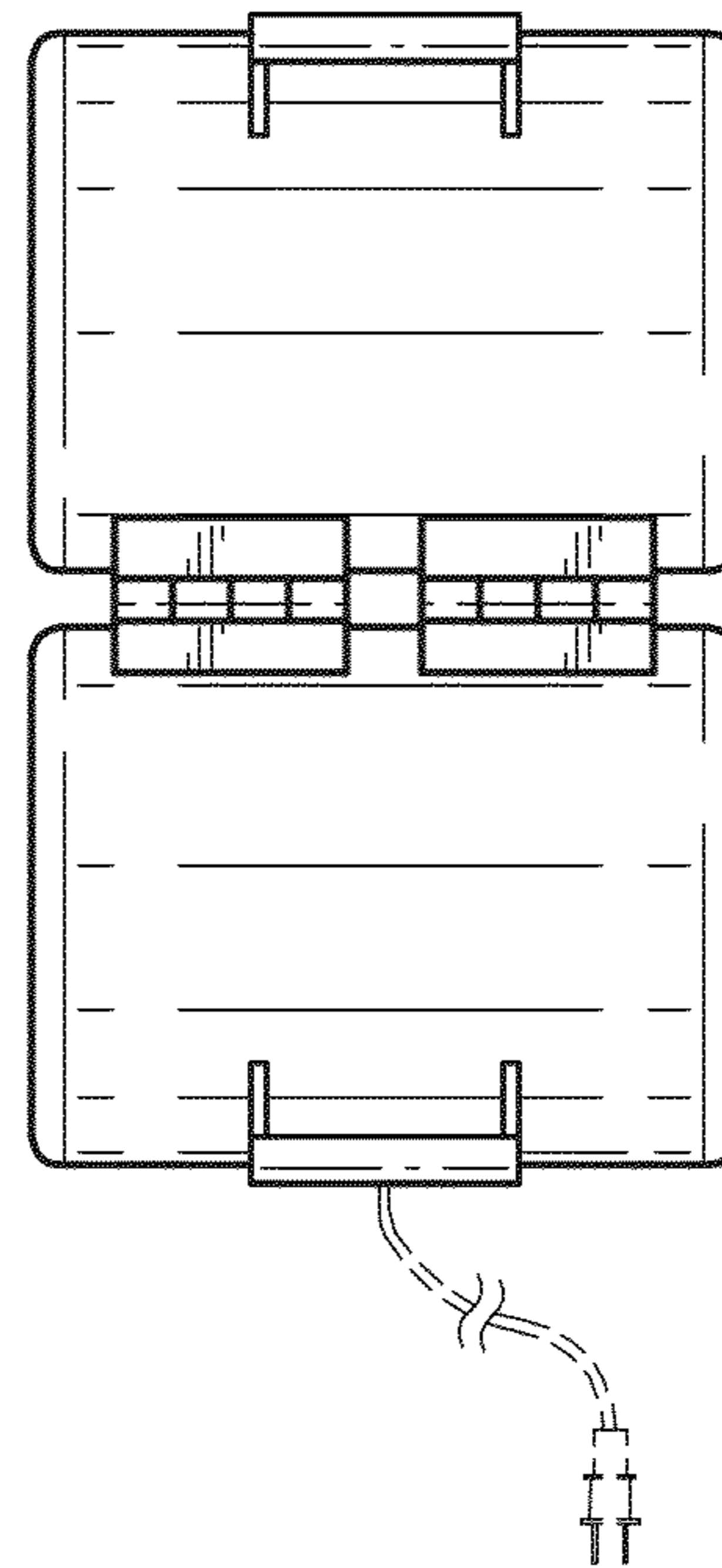


FIG. 5

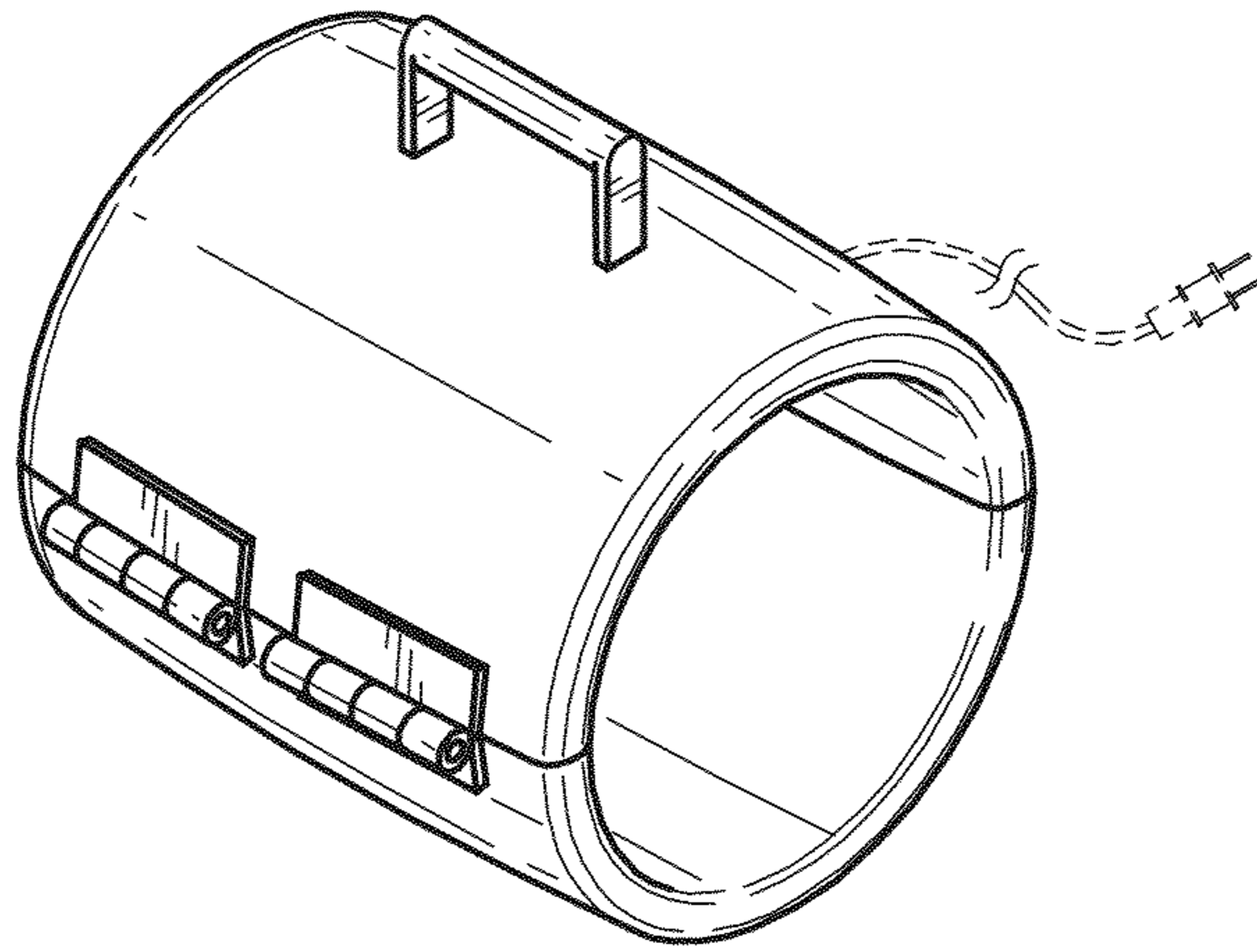


FIG. 6