



US00D701954S

(12) **United States Design Patent**
Kienzler

(10) **Patent No.:** **US D701,954 S**

(45) **Date of Patent:** **** Apr. 1, 2014**

(54) **FAN HOUSING**

(71) Applicant: **Andreas Kienzler**,
Villingen-Schwenningen (DE)

(72) Inventor: **Andreas Kienzler**,
Villingen-Schwenningen (DE)

(73) Assignee: **EBM-Papst St. Georgen GmbH & Co.**
KG, St. Georgen (DE)

(**) Term: **14 Years**

(21) Appl. No.: **29/439,496**

(22) Filed: **Dec. 12, 2012**

(30) **Foreign Application Priority Data**

Jun. 14, 2012 (WO) DM/078 626
Oct. 12, 2012 (DE) 20 2012 103 921

(51) **LOC (10) Cl.** **23-04**

(52) **U.S. Cl.**
USPC **D23/414**

(58) **Field of Classification Search**
USPC D23/370-385, 411-414, 365, 364;
415/60, 66, 68, 208.1, 213.1, 214.1;
310/257; 361/695; 126/299 D, 299 R;
D26/51, 72, 73; D32/15, 16; 416/189;
D13/179
See application file for complete search history.

(56) **References Cited**

U.S. PATENT DOCUMENTS

D187,699 S * 4/1960 Van Rijn D23/379
3,511,578 A * 5/1970 Horst 416/178

6,048,024 A 4/2000 Wallman 297/180.13
D523,130 S * 6/2006 Horng et al. D23/370
7,189,053 B2 3/2007 Winkler et al. 415/58.5
7,532,471 B2 * 5/2009 Su 361/695
D599,457 S * 9/2009 Spaggiari D23/370
2003/0099561 A1 5/2003 Heydt et al. 417/423.1
2005/0069407 A1 3/2005 Winkler et al. 415/58.5
2013/0051999 A1 * 2/2013 Wenger et al. 415/200

FOREIGN PATENT DOCUMENTS

DE 69612765 T2 1/2000
EP 0 969 751 5/2001
EP 1498613 1/2005

* cited by examiner

Primary Examiner — Susan Bennett Hattan

Assistant Examiner — Janice Hallmark

(74) *Attorney, Agent, or Firm* — Milton Oliver, Esq.; Oliver Intellectual Property LLC

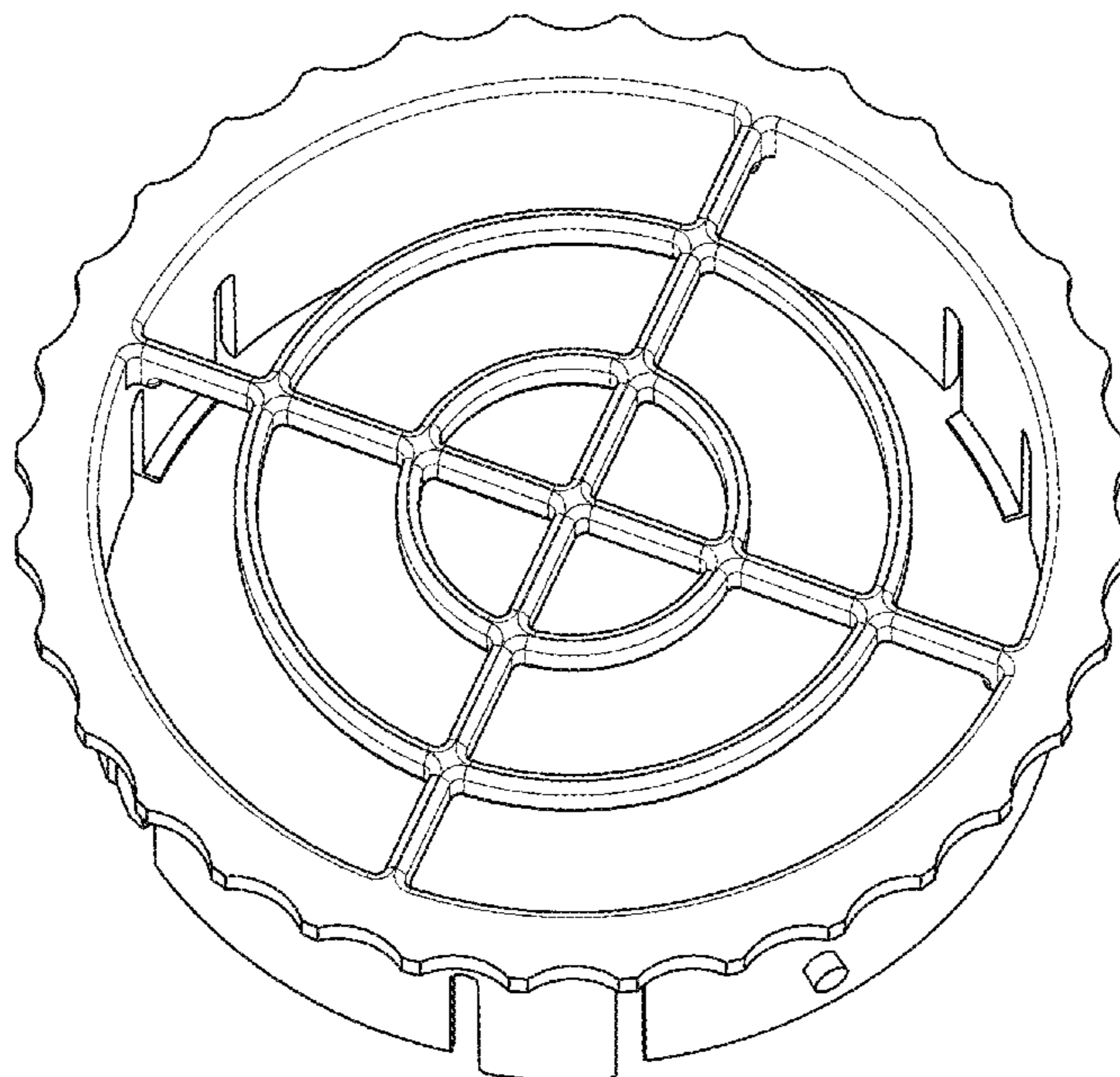
(57) **CLAIM**

The ornamental design for a fan housing, as shown and described.

DESCRIPTION

FIG. 1 is a perspective view of the fan housing of the invention;
FIG. 2 is a front view thereof;
FIG. 3 is a rear view thereof;
FIG. 4 is a right side view thereof;
FIG. 5 is a left side view thereof;
FIG. 6 is a top axial view thereof; and,
FIG. 7 is a bottom axial view thereof.

1 Claim, 7 Drawing Sheets



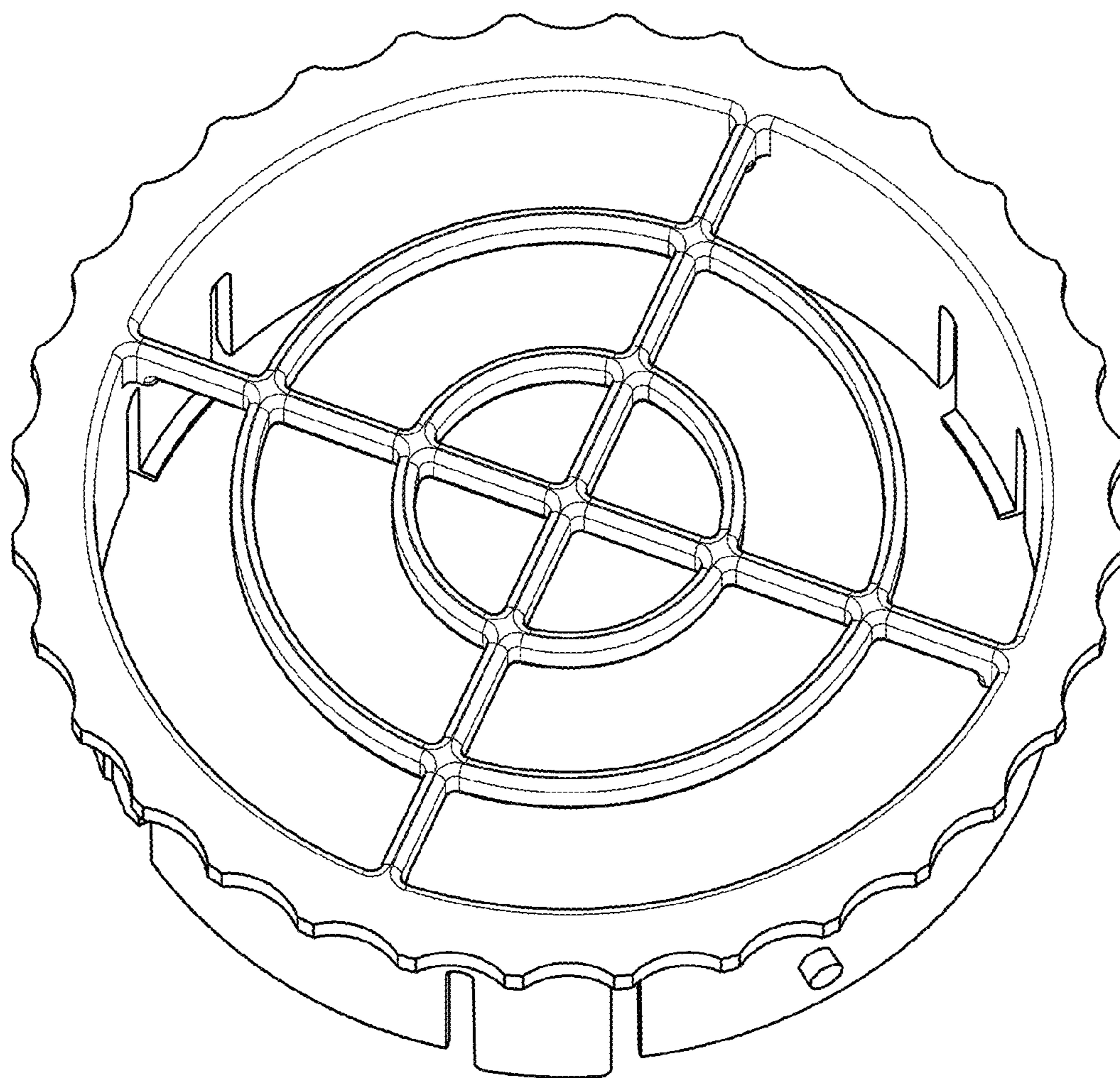


Fig. 1

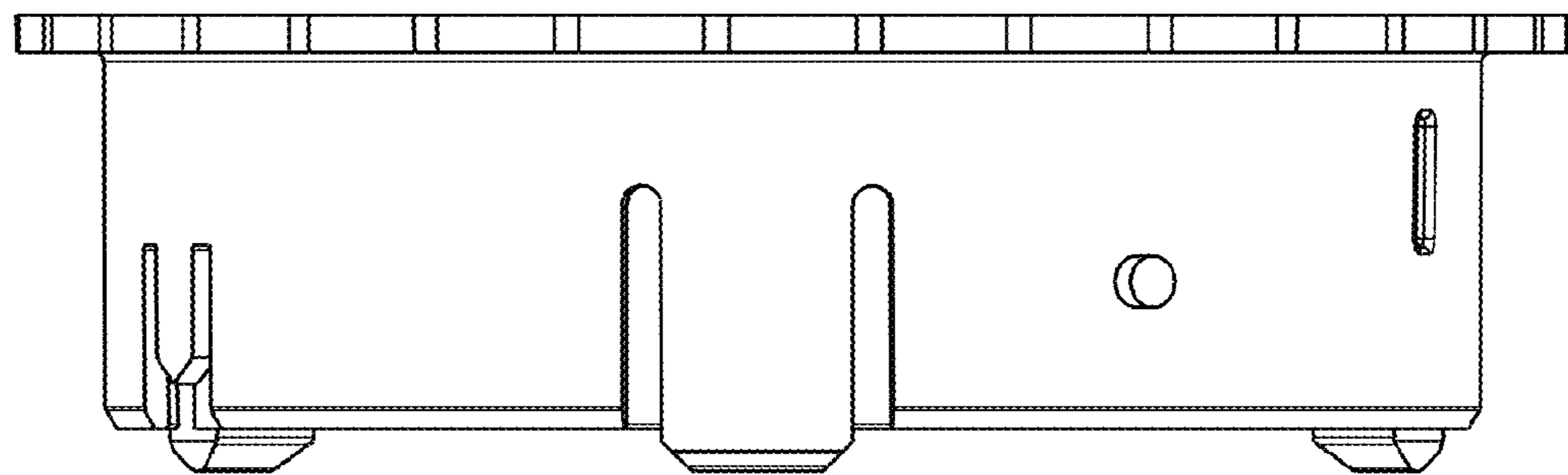


Fig. 2

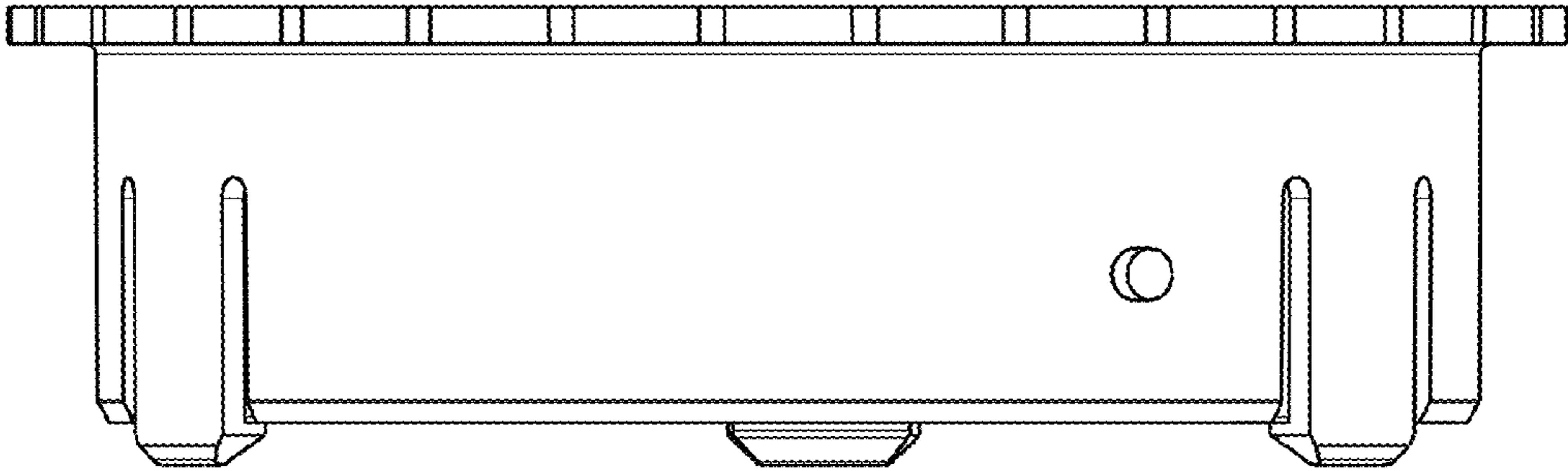


Fig. 3

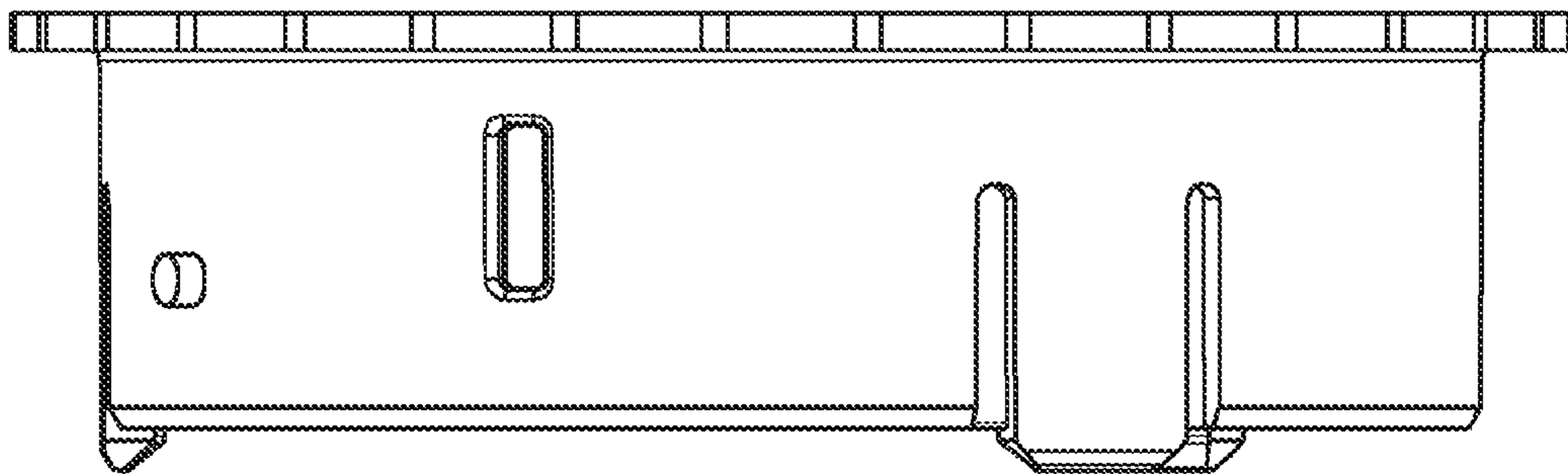


Fig. 4

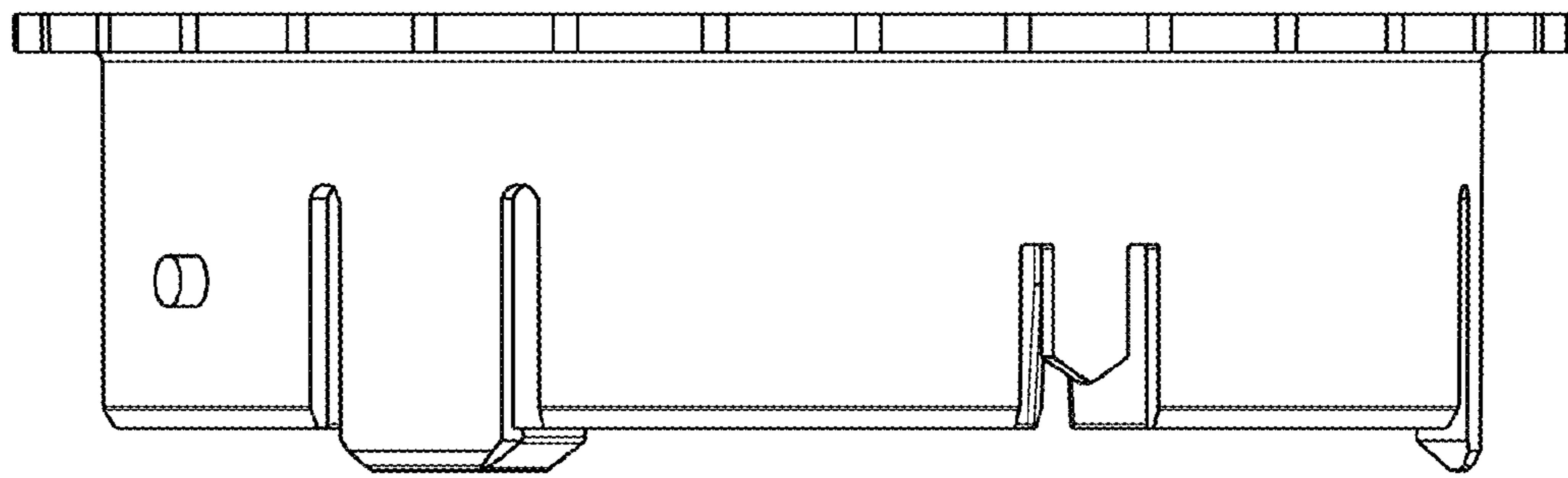


Fig. 5

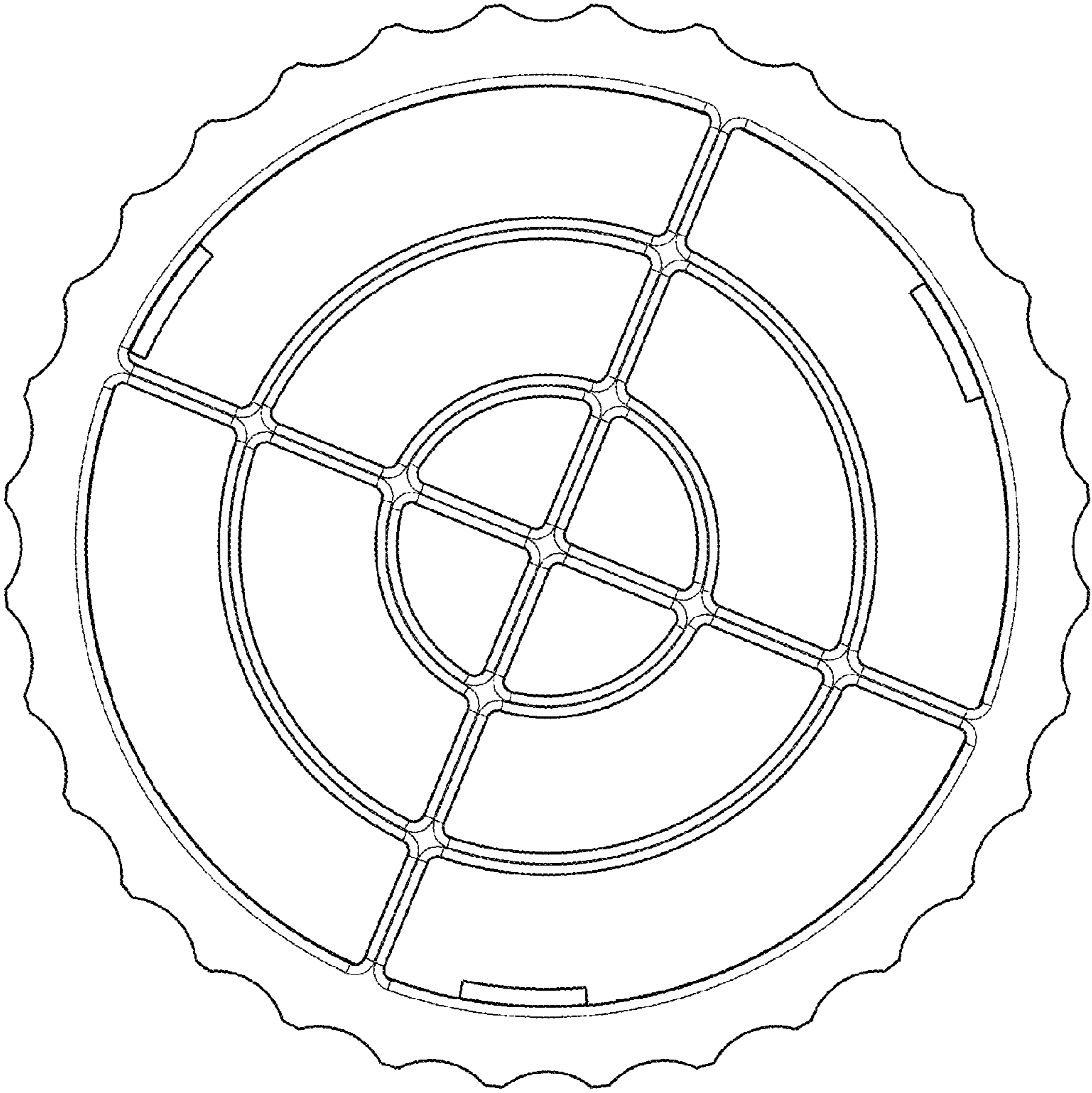


Fig. 6

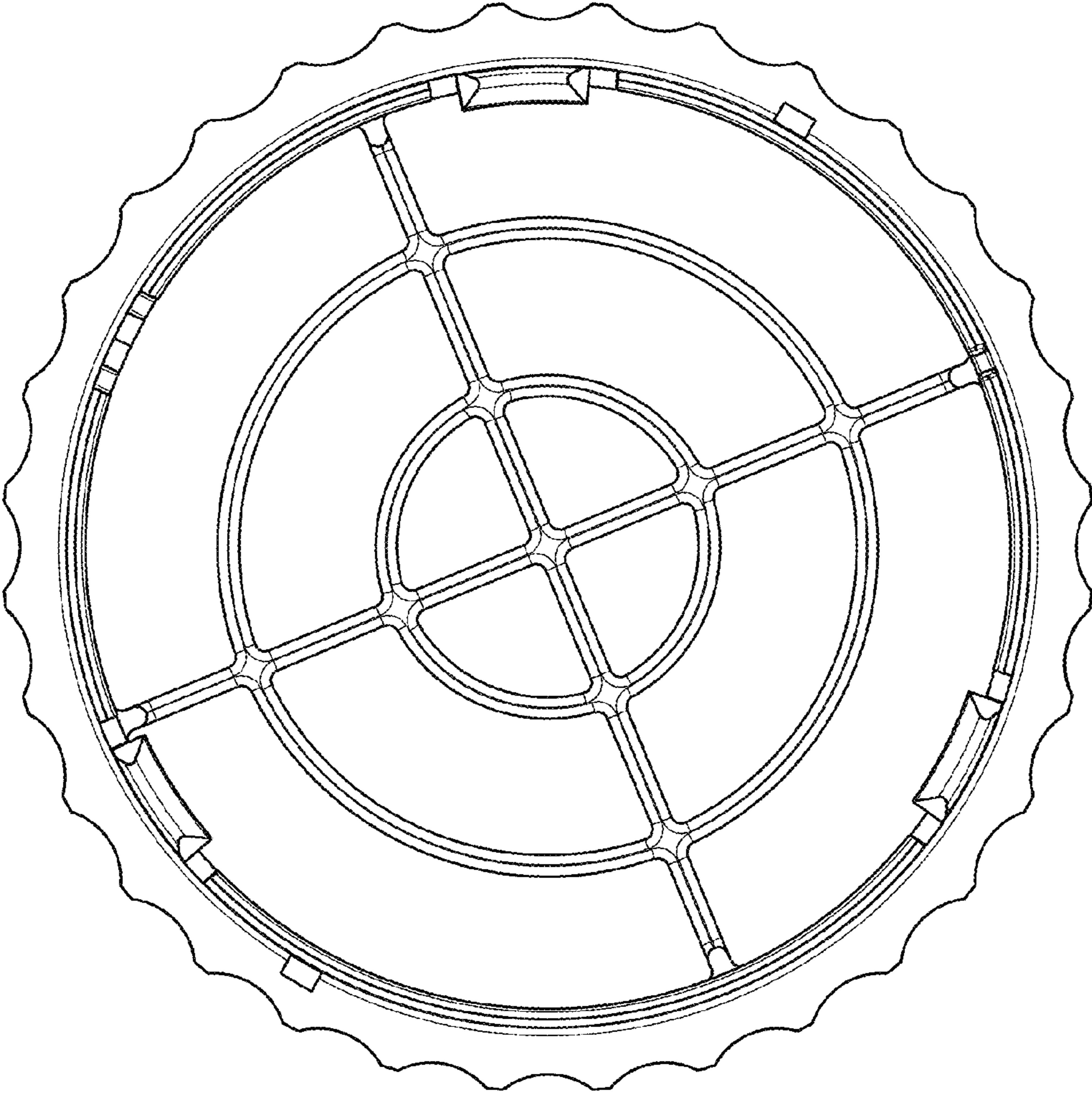


Fig. 7