



US00D701953S

(12) **United States Design Patent**  
**Hills**

(10) **Patent No.:** **US D701,953 S**

(45) **Date of Patent:** **\*\* Apr. 1, 2014**

(54) **FIREPIT GRATE**

(71) Applicant: **Lee A. Hills**, Atlanta, GA (US)

(72) Inventor: **Lee A. Hills**, Atlanta, GA (US)

(\*\*) Term: **14 Years**

(21) Appl. No.: **29/442,787**

(22) Filed: **May 16, 2013**

(51) **LOC (10) Cl.** ..... **23-03**

(52) **U.S. Cl.**  
USPC ..... **D23/403**

(58) **Field of Classification Search**  
USPC ..... D23/403-410, 415-422, 499, 345, 347,  
D23/349; D7/332, 402, 407, 417; D15/144;  
40/428, 798; 44/520, 530; 52/36.3;  
126/201, 258, 500, 512, 540, 543, 544,  
126/548, 555, 298; 160/DIG. 9; 219/549;  
431/263, 273, 329

See application file for complete search history.

(56) **References Cited**

**U.S. PATENT DOCUMENTS**

D99,126 S *	3/1936	Huntington	.....	D7/332
D177,698 S *	5/1956	Scanland	.....	D11/130.1
D207,935 S *	6/1967	Lovett	.....	D23/403
D271,935 S *	12/1983	Conner et al.	.....	D7/332
D337,933 S *	8/1993	Gryz	.....	D7/332

5,722,390 A *	3/1998	Hannebaum	.....	126/541
D428,299 S *	7/2000	Pai	.....	D7/332
D449,490 S *	10/2001	Frederick	.....	D7/332
D463,195 S *	9/2002	Jimenez	.....	D7/332
D468,952 S *	1/2003	Graham et al.	.....	D7/332
6,516,792 B1 *	2/2003	McDonald	.....	126/9 R
6,637,713 B1 *	10/2003	Kleve et al.	.....	248/440.1
6,742,514 B1 *	6/2004	Eastman, II	.....	126/38
6,957,649 B1 *	10/2005	Bourgeois	.....	126/40
D517,681 S *	3/2006	Butler	.....	D23/403
D624,781 S *	10/2010	Allen et al.	.....	D7/332
D659,233 S *	5/2012	Litzenberger	.....	D23/403
2002/0129810 A1 *	9/2002	Wright	.....	126/540
2010/0116262 A1 *	5/2010	Voges	.....	126/25 R
2010/0326423 A1 *	12/2010	Dupont	.....	126/540

\* cited by examiner

*Primary Examiner* — Karen S Acker

(74) *Attorney, Agent, or Firm* — David C. Purdue

(57) **CLAIM**

The ornamental design for a firepit grate, as shown.

**DESCRIPTION**

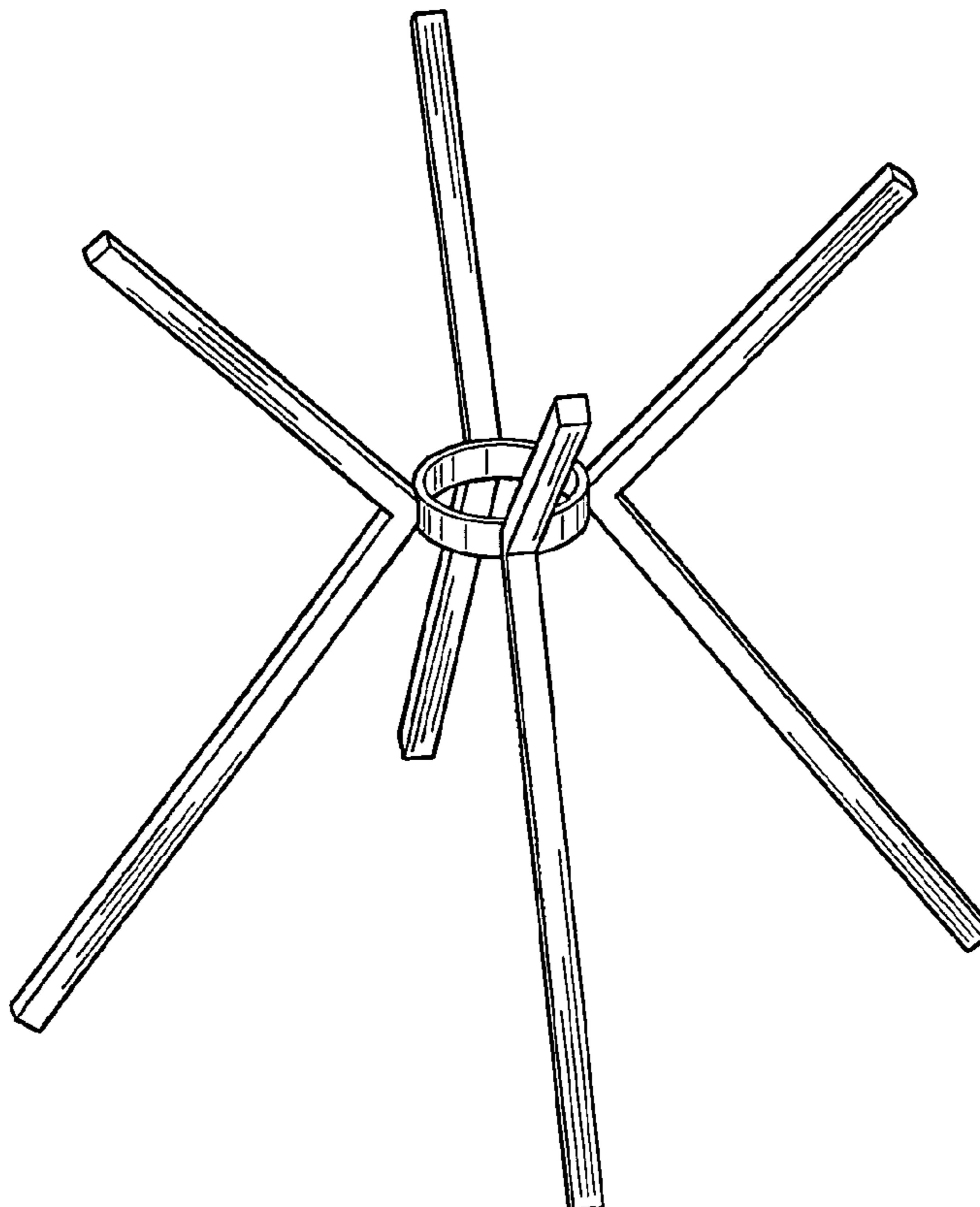
FIG. 1 is a perspective view of a firepit grate showing my new design;

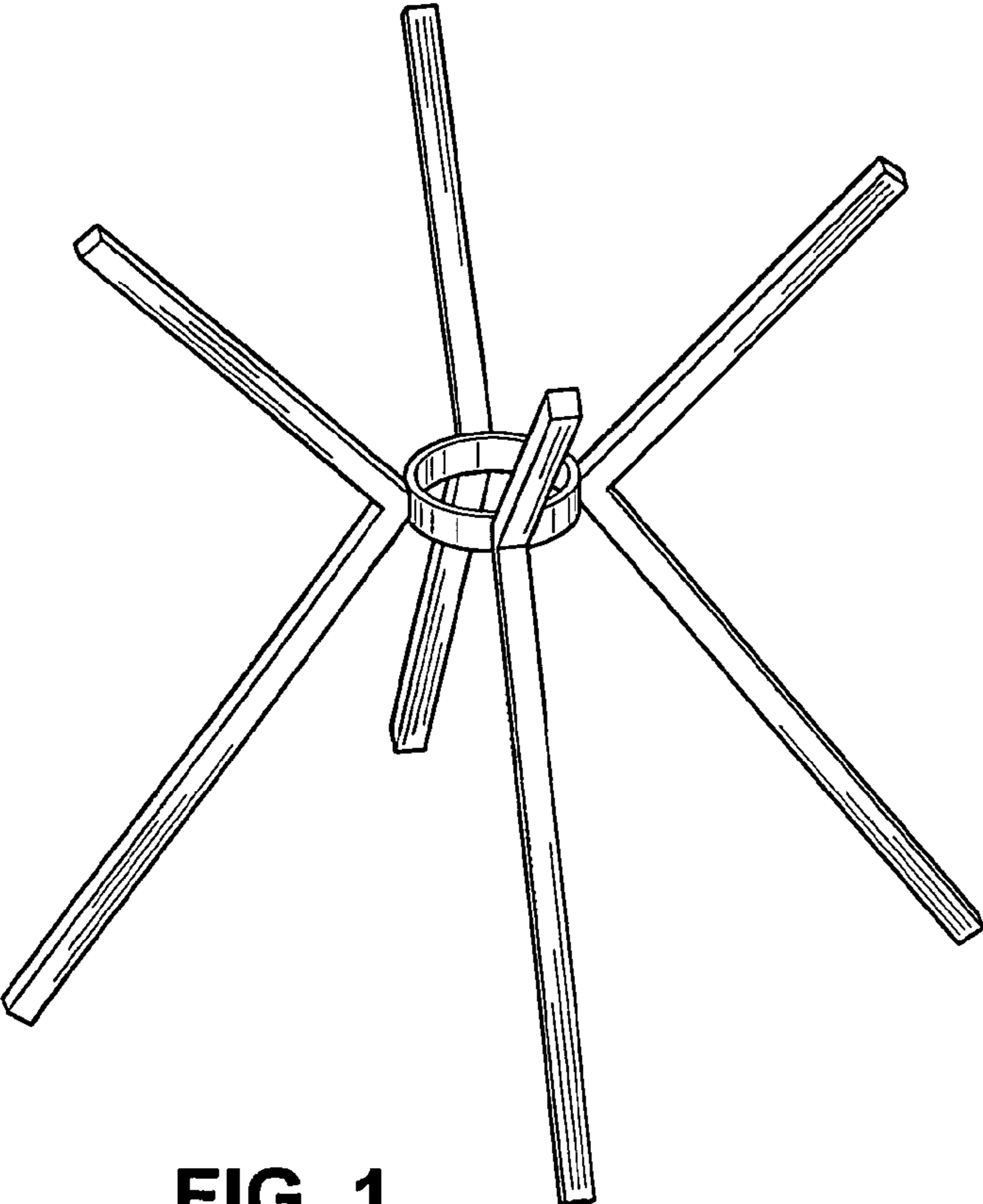
FIG. 2 is a right side view thereof, the left side, rear and front views being identical;

FIG. 3 is a top view thereof; and,

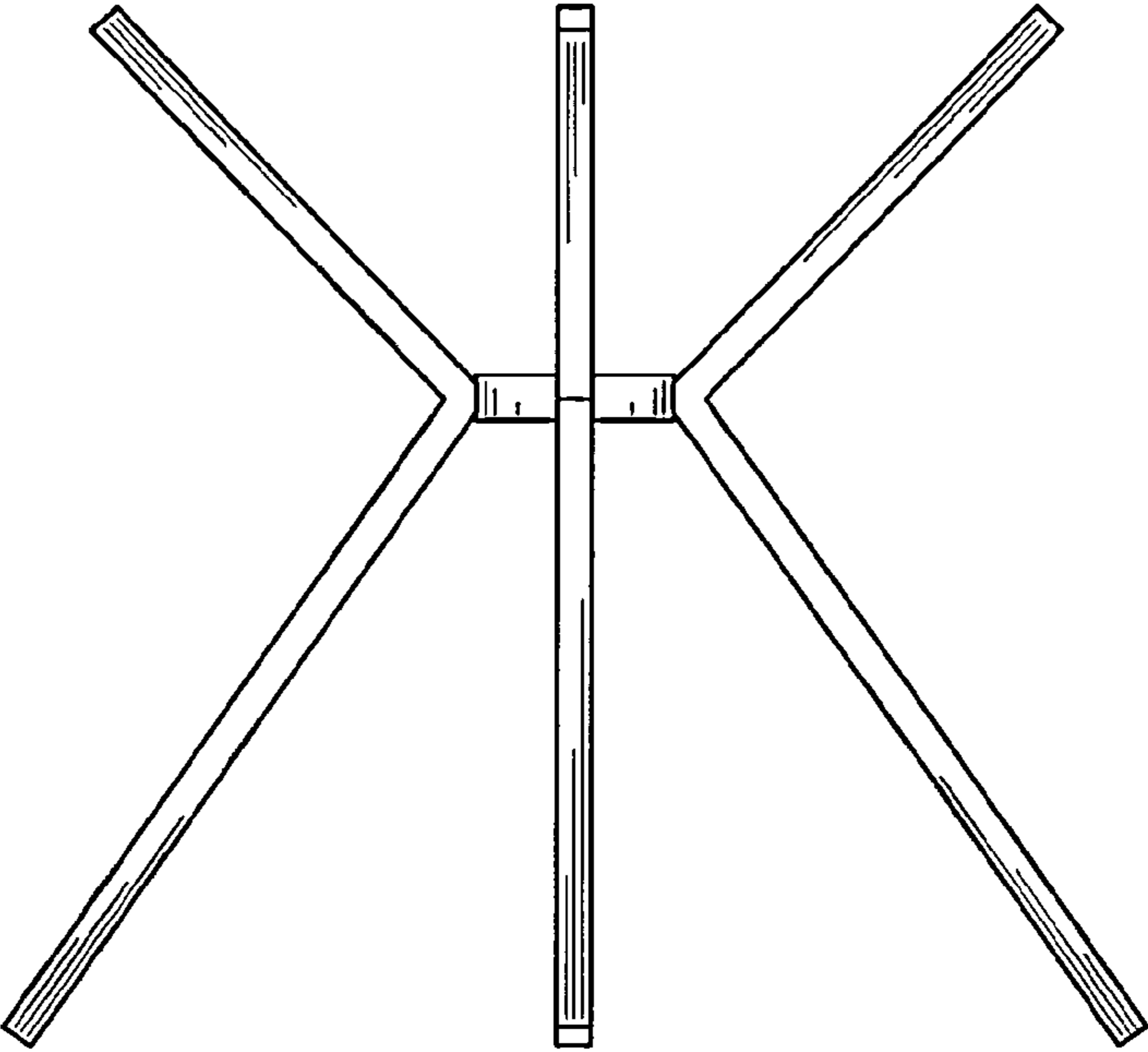
FIG. 4 is a bottom view thereof.

**1 Claim, 2 Drawing Sheets**

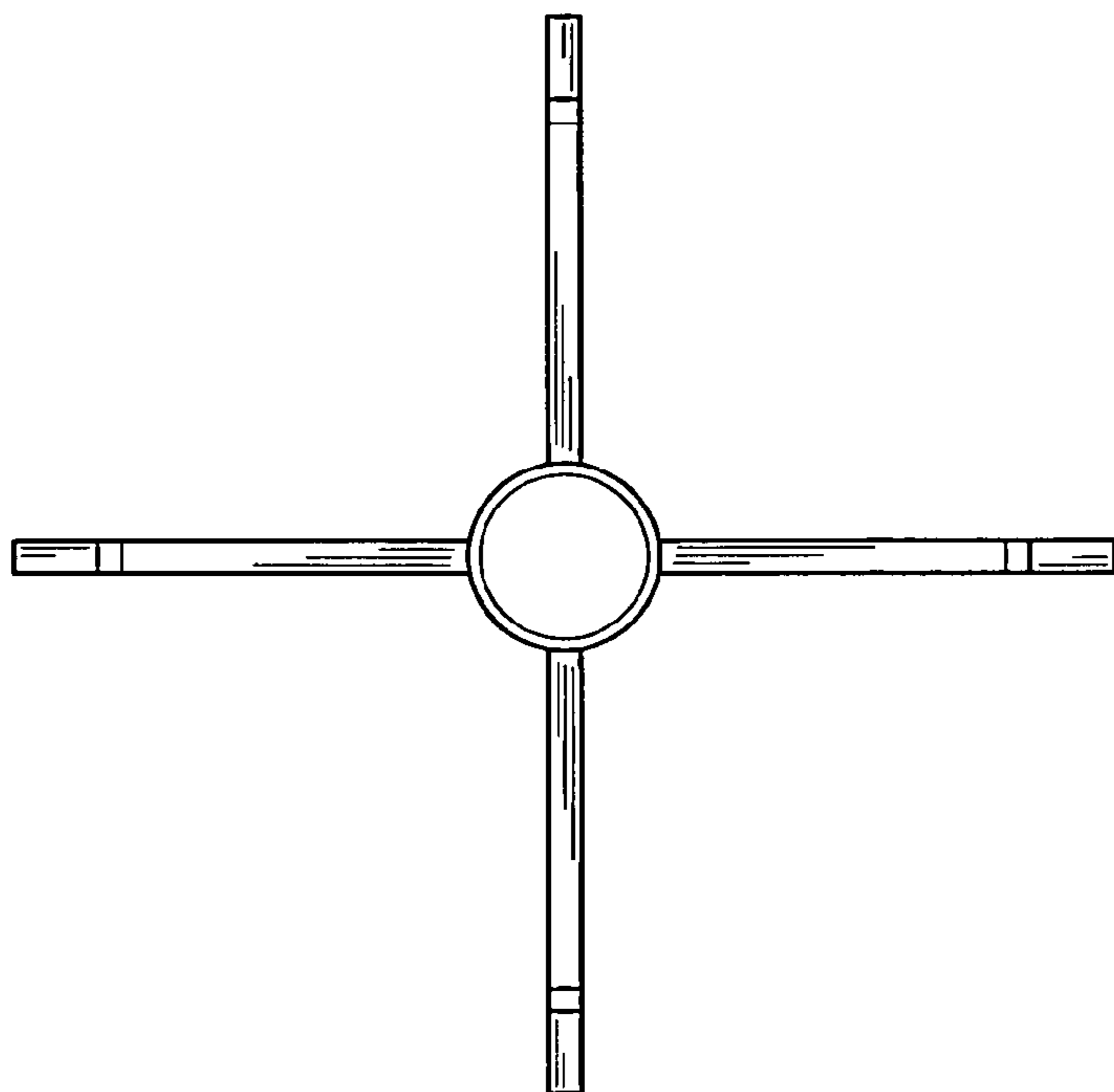




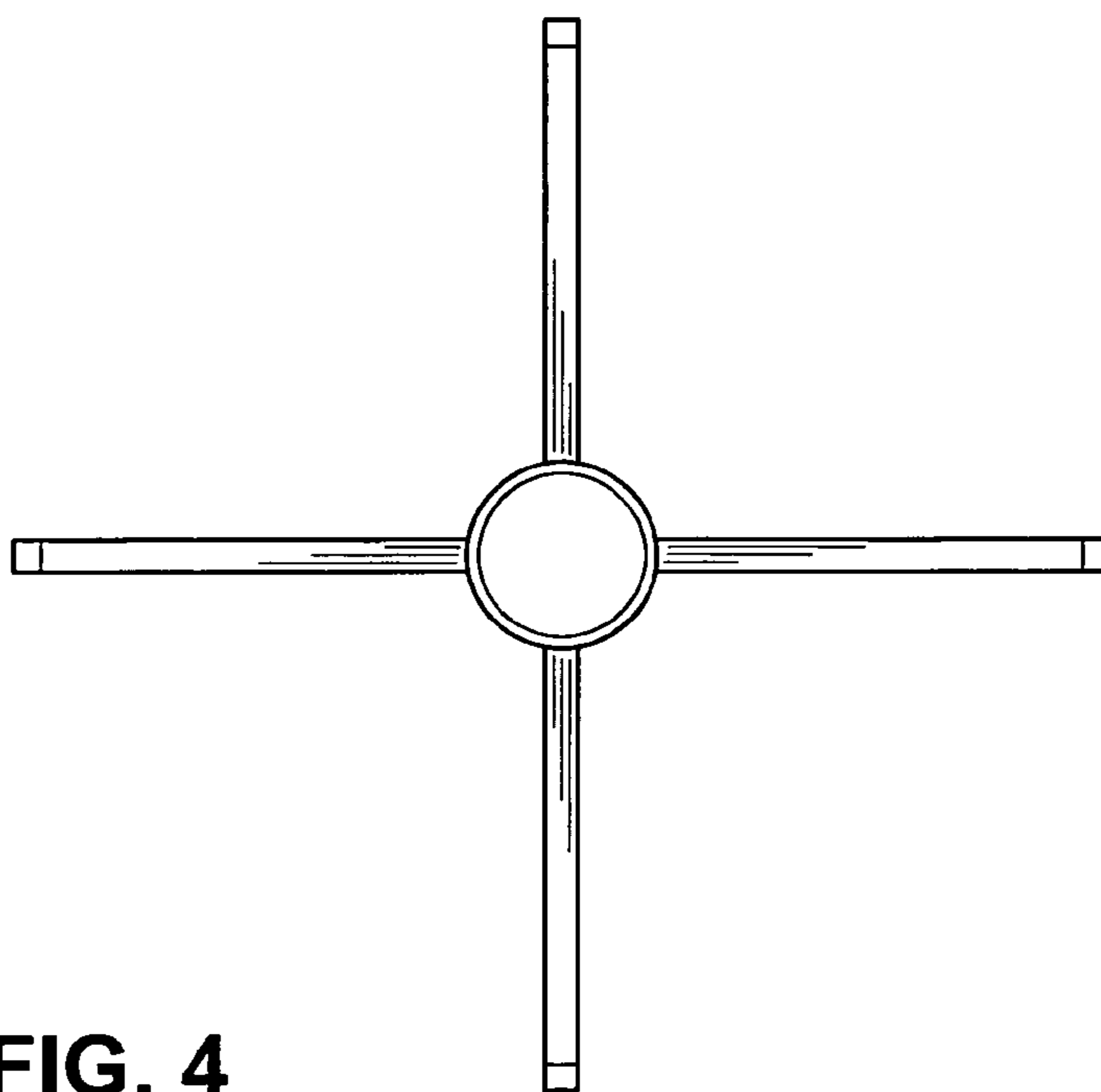
**FIG. 1**



**FIG. 2**



**FIG. 3**



**FIG. 4**